

HOLDING TAX RECEIPT

Receipt No. **TRAN231495220717121609**

Date : 22-07-2017

Department / Section : Revenue Section
 Account Description : Holding Tax & Others
 Application Type : New Assessment

Ward No : 23

SAF No. : SAF339280190417042232

Property Type : Independent Building

Name **MADHURI DEVI**

W/O- **SHYAM NANDAN JHA**

Address : **JANKPUR DEOGHAR , DEOGHAR , DEOGHAR - 814112**

MOB : **9939334588**

A Sum of Rs. **1,234.00** (in words) **One Thousand Two Hundred and Thirty-Four Only**

towards **Holding Tax & Others** vide **Cash**

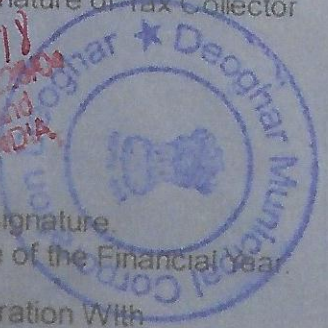
N.B. Online Payment/Cheque/Draft/ Bankers Cheque are Subject to realisation

Holding Tax Details

| Account Description | Period | | Amount |
|--------------------------|---------------|---------------|-----------------|
| Holding Tax Arrear | 2016-2017 / 1 | 2016-2017 / 4 | 616.00 |
| Holding Tax Current | 2017-2018 / 1 | 2017-2018 / 4 | 616.00 |
| Total | | | 1,232.00 |
| Additional Tax | | | 0.00 |
| Penalty Amount | | | 2.00 |
| Rebate on current Demand | | | 0.00 |
| Adjust amount | | | 0.00 |
| Amount Received | | | 1,234.00 |
| Advance Amount | | | 0.00 |



Signature of Tax Collector
ATTESTED
11.5.18
 NOTARY/Regd No - 22009
 Govt of Jharkhand
 Deoghar INDIA.



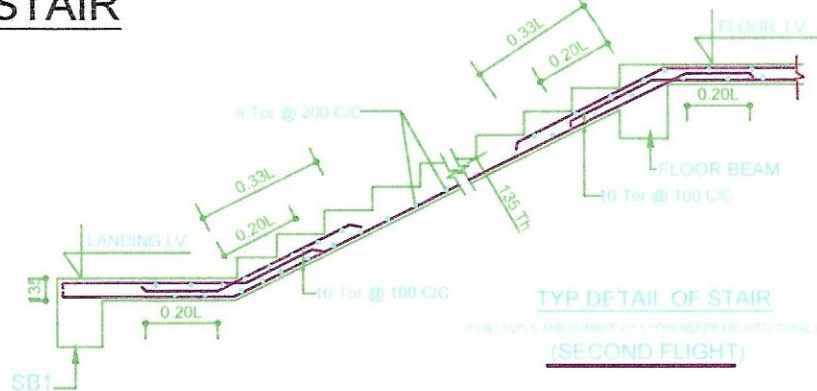
Note:-

- This is a Computer generated Receipt. This receipt does not require physical signature.
- Avail 5% rebate yearly Holding Tax Amount by paying the tax before 30th June of the Financial Year.

For Details Please Visit : udhd.jharkhand.gov.in
 or Call us at 18001237785

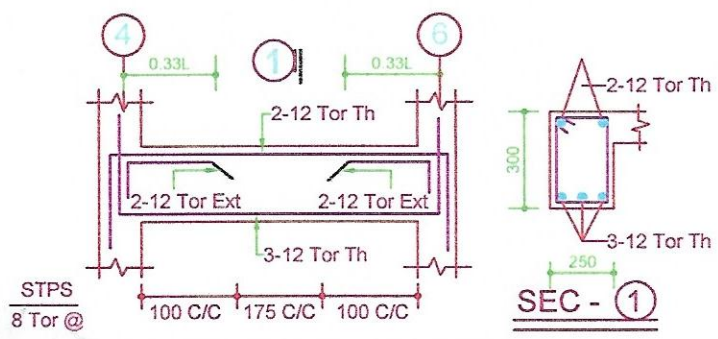
In Collaboration With
 Sri Publication & Stationers Pvt. Ltd.

STAIR



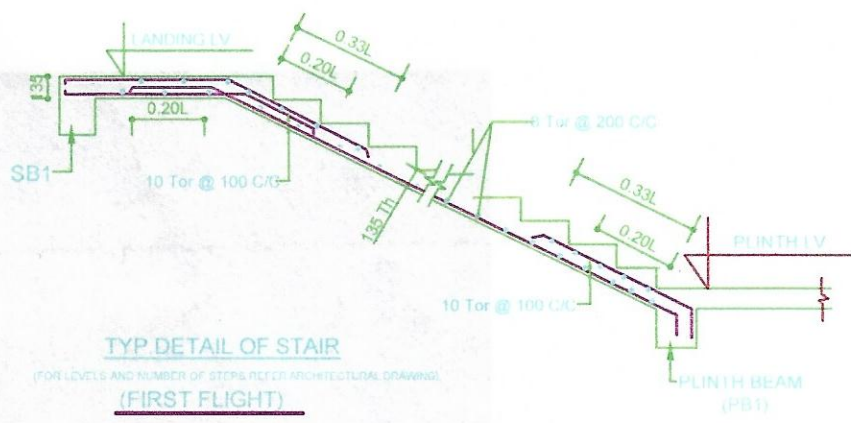
TYP DETAIL OF STAIR

(FOR LEVELS AND NUMBER OF STEPS REFER ARCHITECTURAL DRAWING)
(SECOND FLIGHT)



DET. OF SB1/PB1 (250X300)

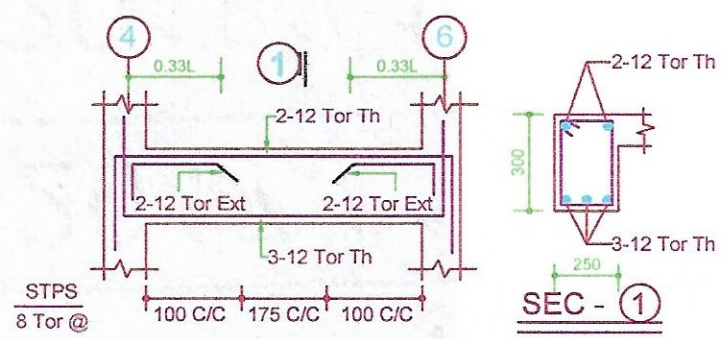
BEAM AT LANDING LV



TYP DETAIL OF STAIR

(FOR LEVELS AND NUMBER OF STEPS REFER ARCHITECTURAL DRAWING)
(FIRST FLIGHT)

ROOF BEAM



DET. OF R.B. - (250X300)

BEAM AT LANDING LV