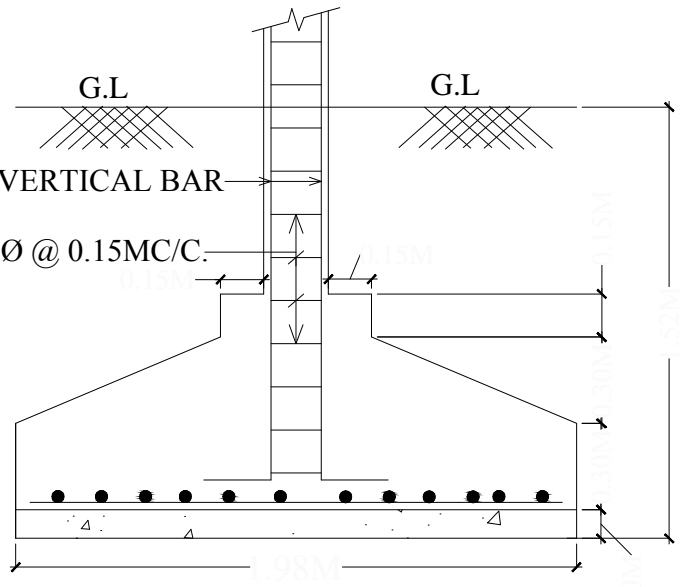
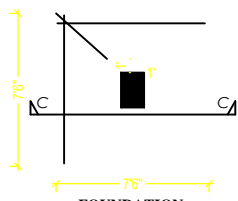
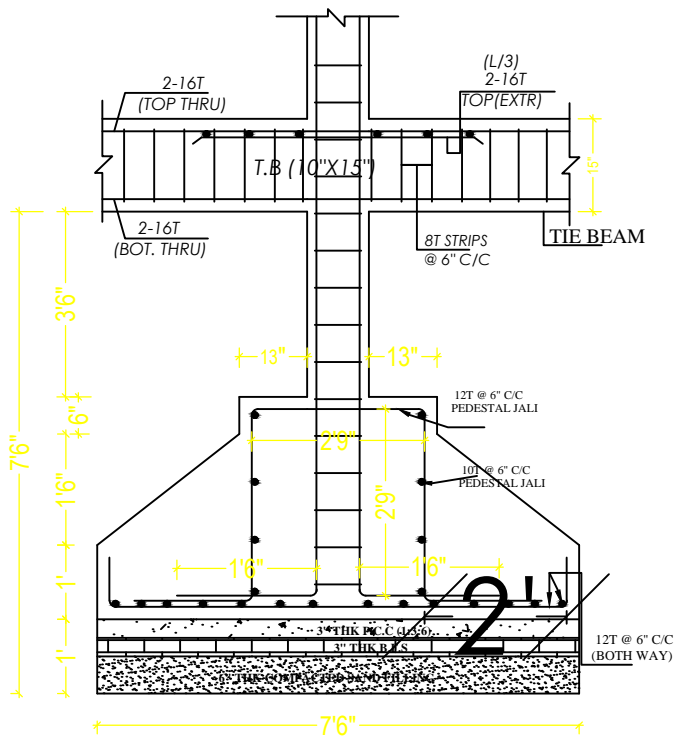
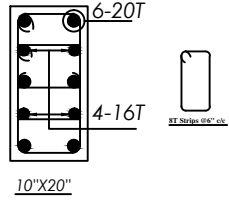


SECTION OF COLUMN.



SECTION OF FOOTING



**FOUNDATION
COL. (10"X20")**