

PROPOSAL BASIC INFORMATION	
Proposer File No.	D50AC00110019
Owner Name	UMANALINI BRAMHAM SARASWATI VIDYA MANDIR
Plot No.	4713
Plot No.	118
Village Name	Kunda
Use	Educational
Sub-use	Educational Building

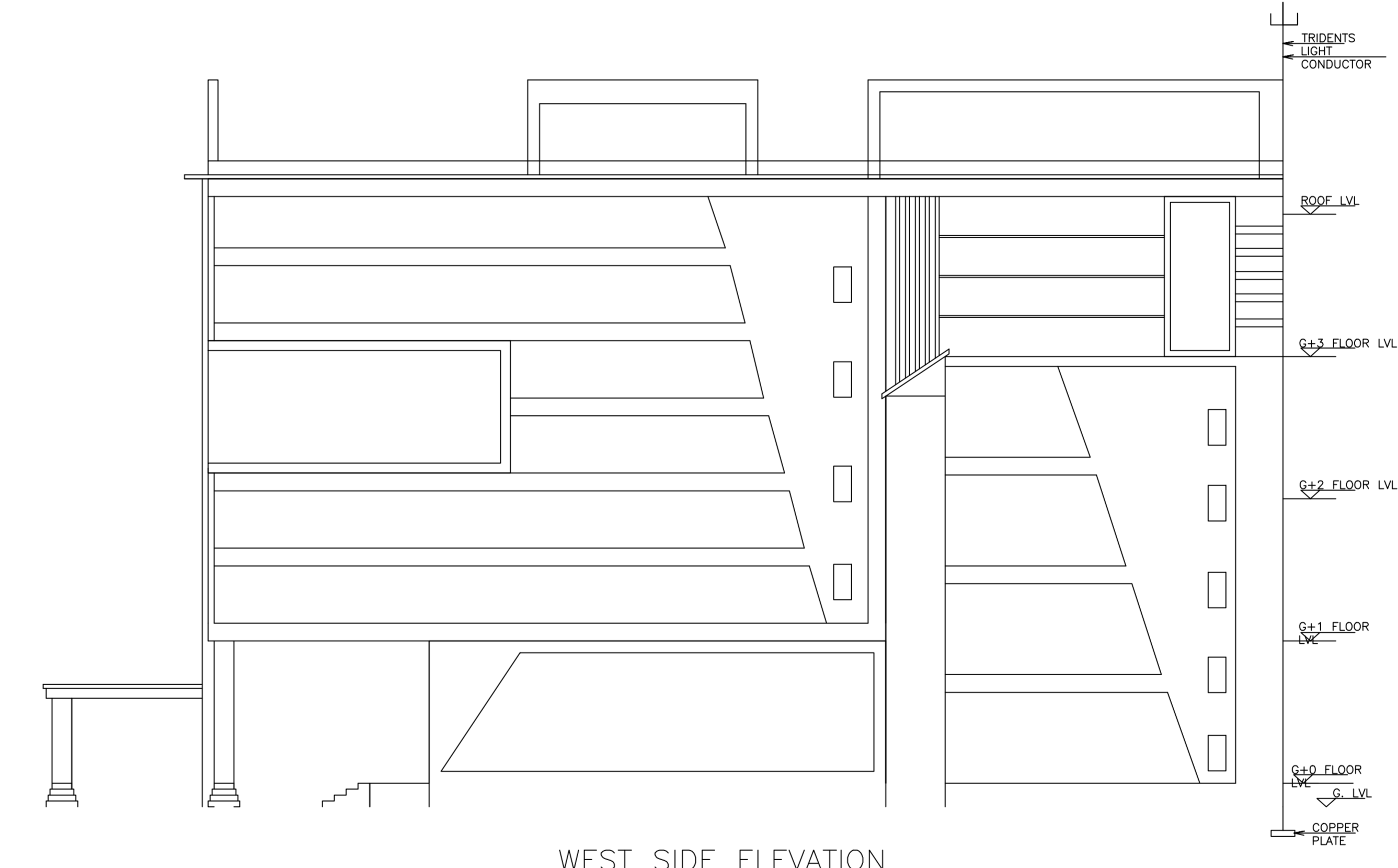
AREA STATEMENT	
PROPOSED BUILDING	104.00
PROPOSED PARKING	104.00
PROPOSED DRIVEWAY	104.00
PROPOSED TREE COVER	104.00
PROPOSED OPEN SPACE	104.00
PROPOSED TOTAL AREA	104.00

BUILDING WISE FLOOR FAR DETAILS	
Floor Name	Total FAR
Ground Floor	104.00
1st Floor	104.00
2nd Floor	104.00
3rd Floor	104.00
4th Floor	104.00
5th Floor	104.00
6th Floor	104.00
7th Floor	104.00
8th Floor	104.00
9th Floor	104.00
10th Floor	104.00
11th Floor	104.00
12th Floor	104.00
13th Floor	104.00
14th Floor	104.00
15th Floor	104.00
16th Floor	104.00
17th Floor	104.00
18th Floor	104.00
19th Floor	104.00
20th Floor	104.00
21st Floor	104.00
22nd Floor	104.00
23rd Floor	104.00
24th Floor	104.00
25th Floor	104.00
26th Floor	104.00
27th Floor	104.00
28th Floor	104.00
29th Floor	104.00
30th Floor	104.00
31st Floor	104.00
32nd Floor	104.00
33rd Floor	104.00
34th Floor	104.00
35th Floor	104.00
36th Floor	104.00
37th Floor	104.00
38th Floor	104.00
39th Floor	104.00
40th Floor	104.00
41st Floor	104.00
42nd Floor	104.00
43rd Floor	104.00
44th Floor	104.00
45th Floor	104.00
46th Floor	104.00
47th Floor	104.00
48th Floor	104.00
49th Floor	104.00
50th Floor	104.00
51st Floor	104.00
52nd Floor	104.00
53rd Floor	104.00
54th Floor	104.00
55th Floor	104.00
56th Floor	104.00
57th Floor	104.00
58th Floor	104.00
59th Floor	104.00
60th Floor	104.00
61st Floor	104.00
62nd Floor	104.00
63rd Floor	104.00
64th Floor	104.00
65th Floor	104.00
66th Floor	104.00
67th Floor	104.00
68th Floor	104.00
69th Floor	104.00
70th Floor	104.00
71st Floor	104.00
72nd Floor	104.00
73rd Floor	104.00
74th Floor	104.00
75th Floor	104.00
76th Floor	104.00
77th Floor	104.00
78th Floor	104.00
79th Floor	104.00
80th Floor	104.00
81st Floor	104.00
82nd Floor	104.00
83rd Floor	104.00
84th Floor	104.00
85th Floor	104.00
86th Floor	104.00
87th Floor	104.00
88th Floor	104.00
89th Floor	104.00
90th Floor	104.00
91st Floor	104.00
92nd Floor	104.00
93rd Floor	104.00
94th Floor	104.00
95th Floor	104.00
96th Floor	104.00
97th Floor	104.00
98th Floor	104.00
99th Floor	104.00
100th Floor	104.00

SITE PLAN



NORTH SIDE ELEVATION



WEST SIDE ELEVATION

Required Parking (Table 7a)				
Building Name	Sub-use	Area (Sq.M)	Vehicle Type	No. of Spaces
UMANALINI BRAMHAM SARASWATI VIDYA MANDIR	Educational Building	104.00	Car	10
			Two Wheeler	20
			Total	30

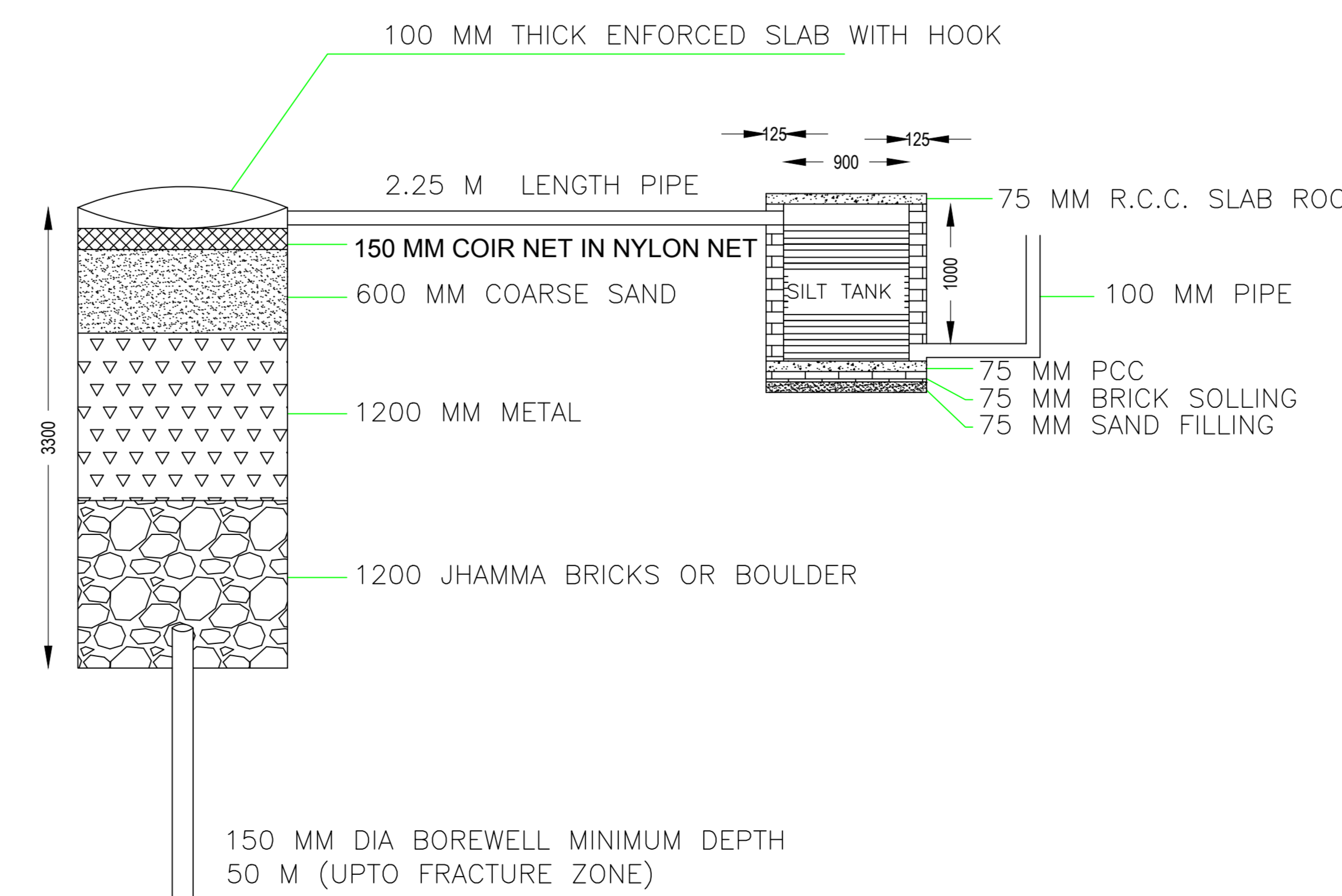
Parking Check (Table 7b)			
Vehicle Type	Required	Provided	Deficit
Car	10	10	0
Two Wheeler	20	20	0
Total	30	30	0

Building JA (UMANALINI BRAMHAM SARASWATI VIDYA MANDIR)	
Floor Name	Total FAR
Ground Floor	104.00
1st Floor	104.00
2nd Floor	104.00
3rd Floor	104.00
4th Floor	104.00
5th Floor	104.00
6th Floor	104.00
7th Floor	104.00
8th Floor	104.00
9th Floor	104.00
10th Floor	104.00
Total	104.00

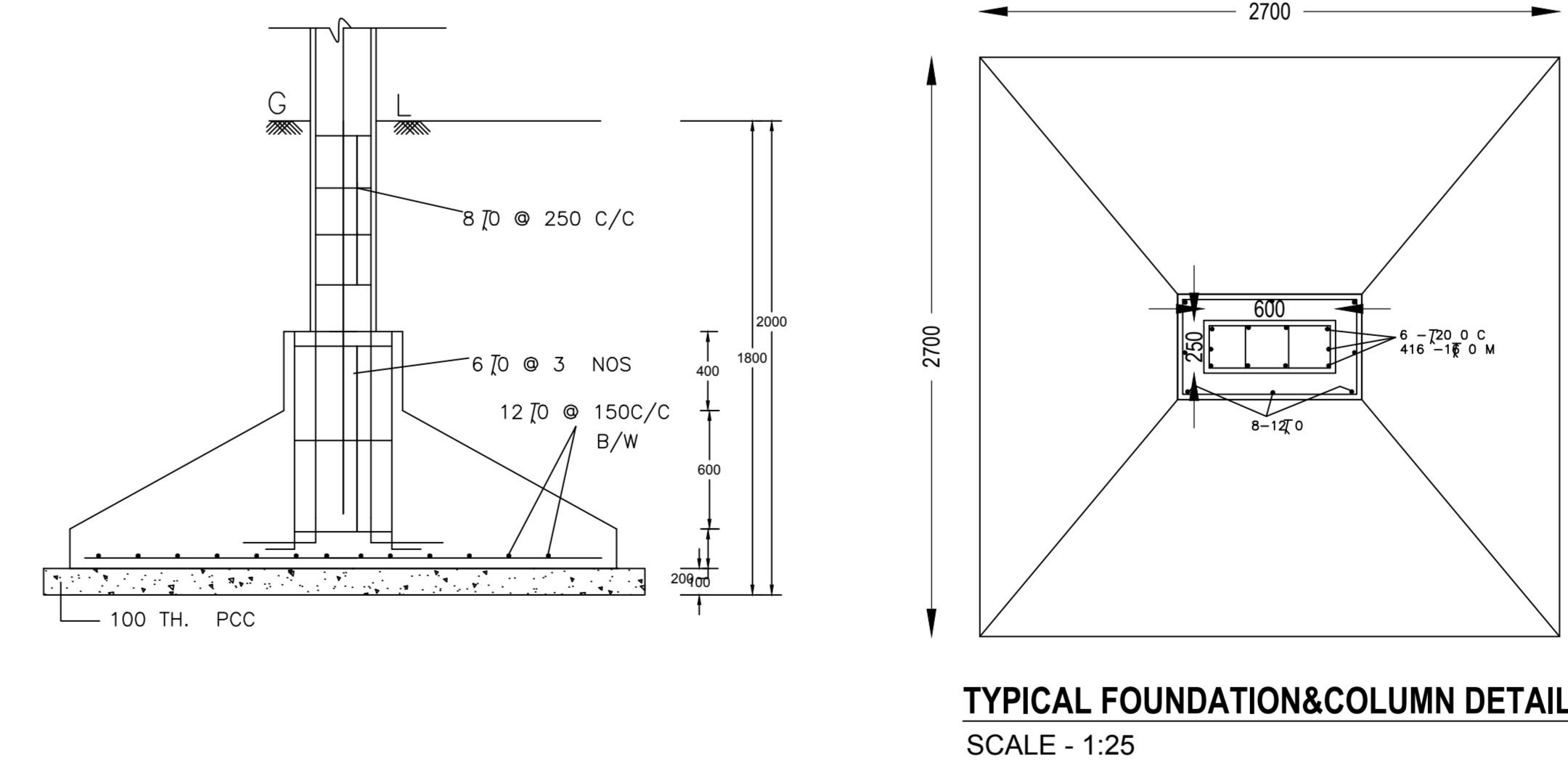
SCHEDULE OF DOOR:				
BUILDING NAME	NAME	LENGTH	HEIGHT	NOS
UMANALINI BRAMHAM SARASWATI VIDYA MANDIR	D1	0.75	2.10	09
	D2	0.75	2.10	04
	D3	1.20	2.10	01
	D4	2.00	2.10	02

SCHEDULE OF WINDOW/VENTILATION:				
BUILDING NAME	NAME	LENGTH	HEIGHT	NOS
UMANALINI BRAMHAM SARASWATI VIDYA MANDIR	V1	0.60	2.70	16
	V2	1.80	2.80	00
	V3	1.80	2.80	01
	V4	3.00	2.80	04

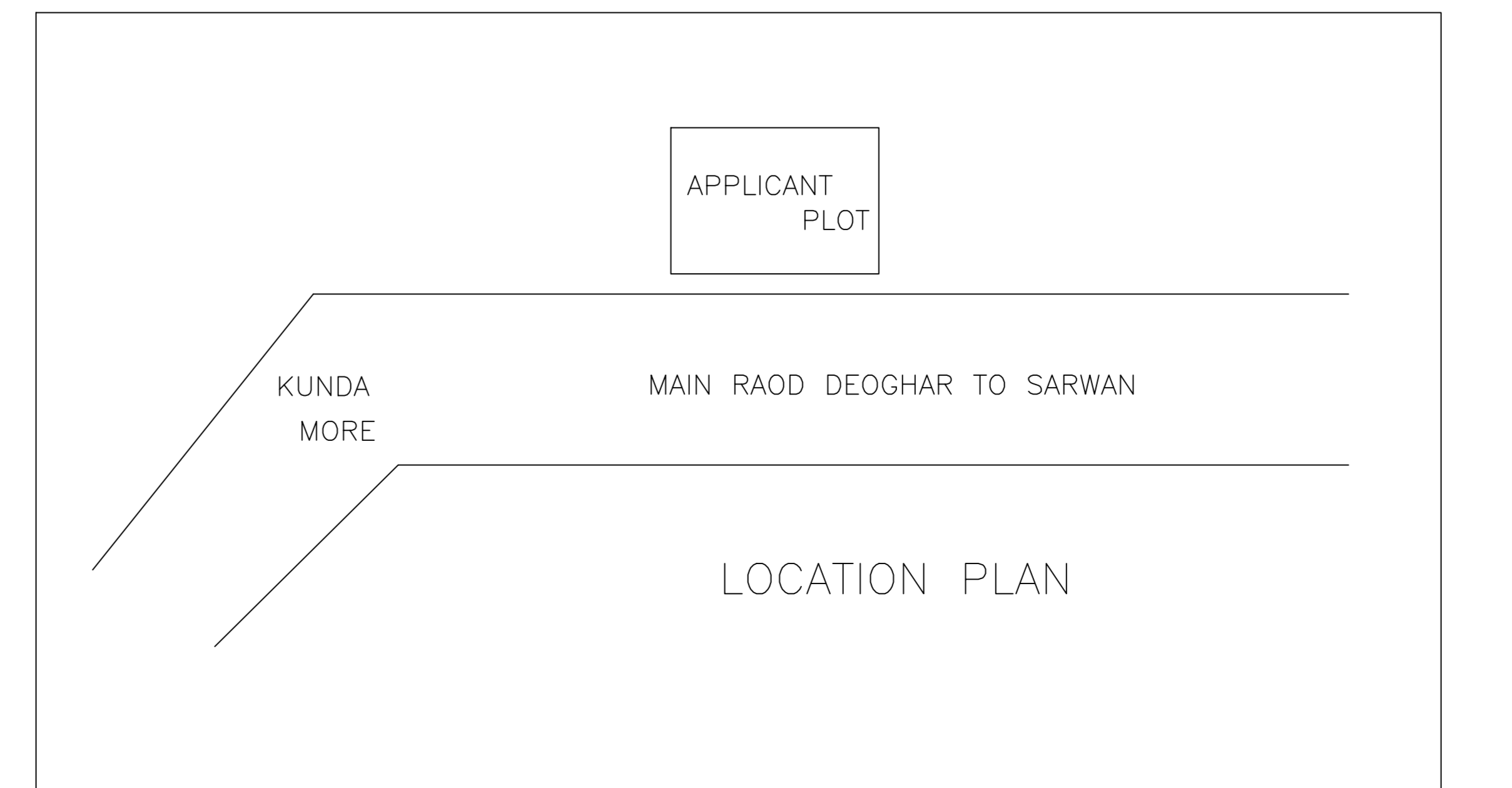
UthBUA Table for Building JA (UMANALINI BRAMHAM SARASWATI VIDYA MANDIR)					
FLOOR	Area	UthBUA	Capex Area	No. of Rooms	No. of Tenement
THIRD FLOOR	CLASS ROOM	CLASS ROOM	119.81	22	1
SECOND FLOOR	CLASS ROOM	CLASS ROOM	130.84	20	1
FIRST FLOOR	CLASS ROOM	CLASS ROOM	139.07	19	1
GROUND FLOOR	CLASS ROOM	CLASS ROOM	137.42	27	1
Total			527.94	90	4



DETAILS OF GROUND WATER RECHARGING PIT WITH SILT TANK



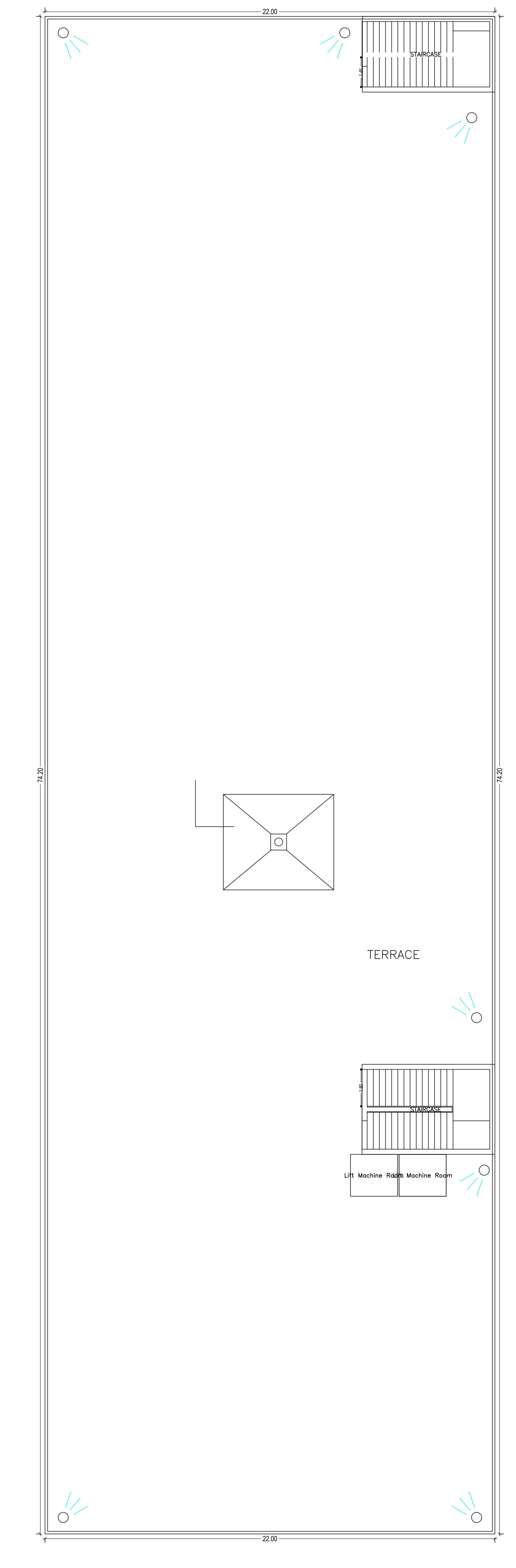
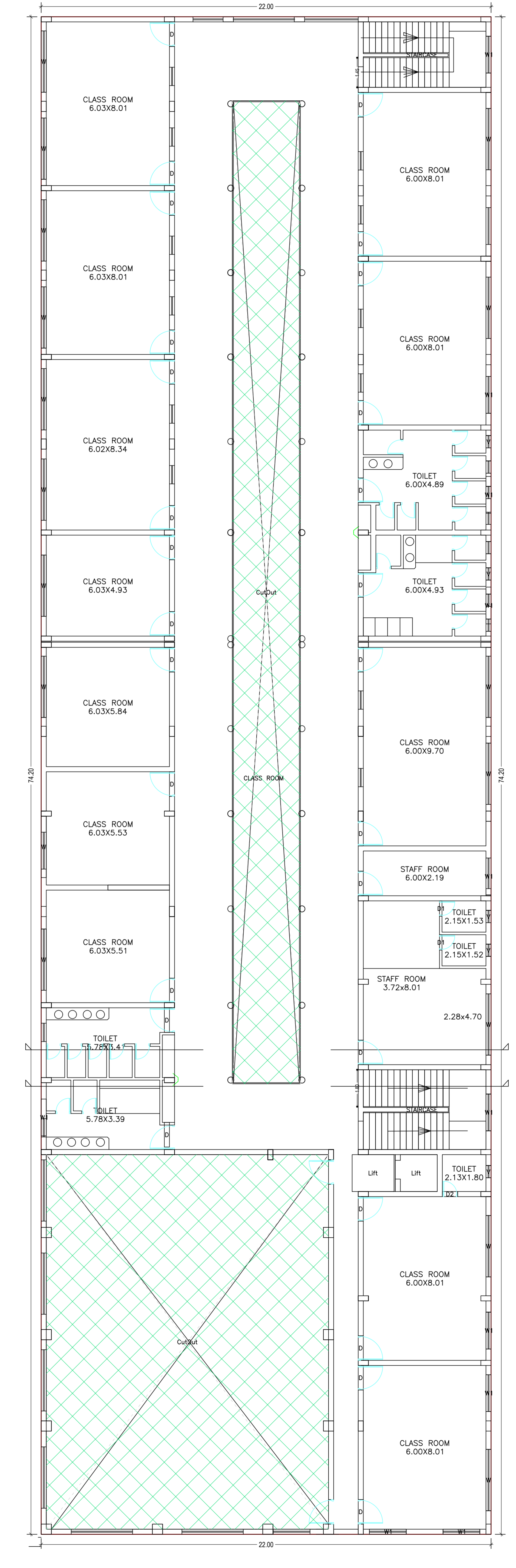
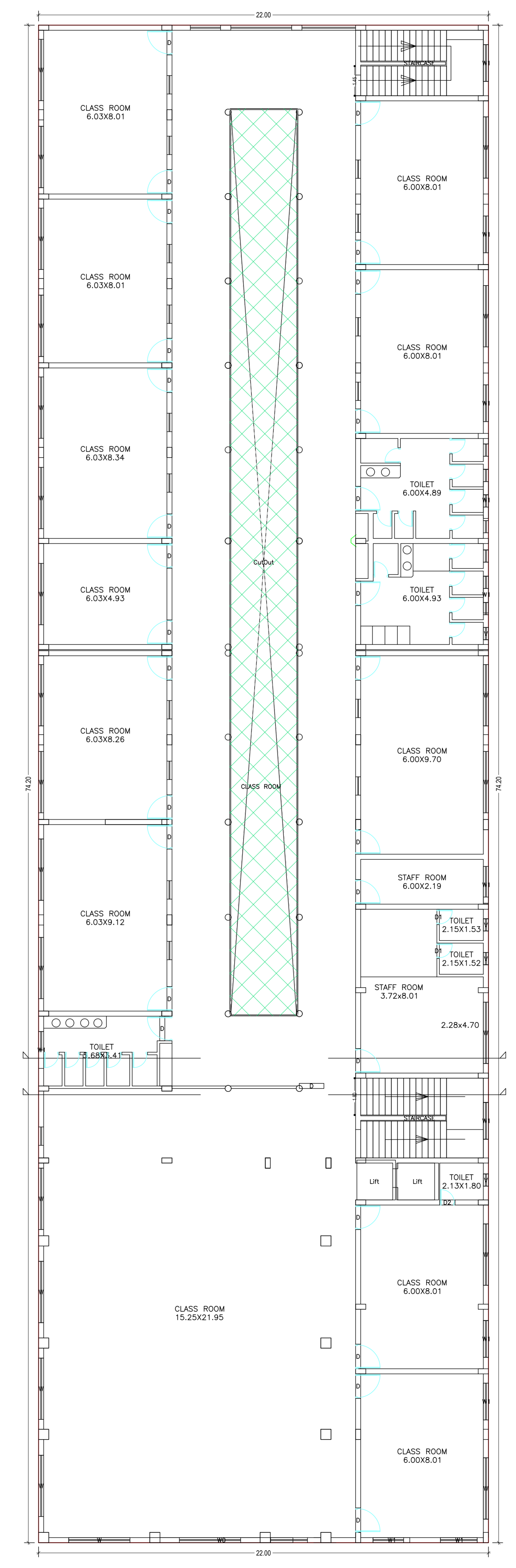
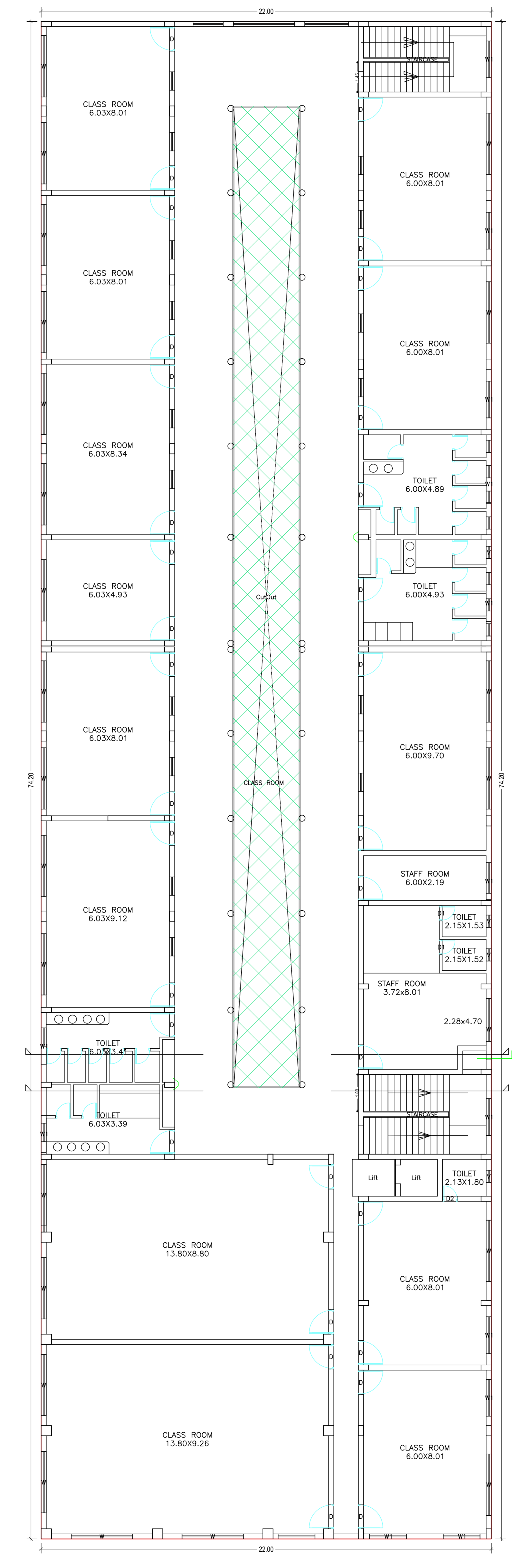
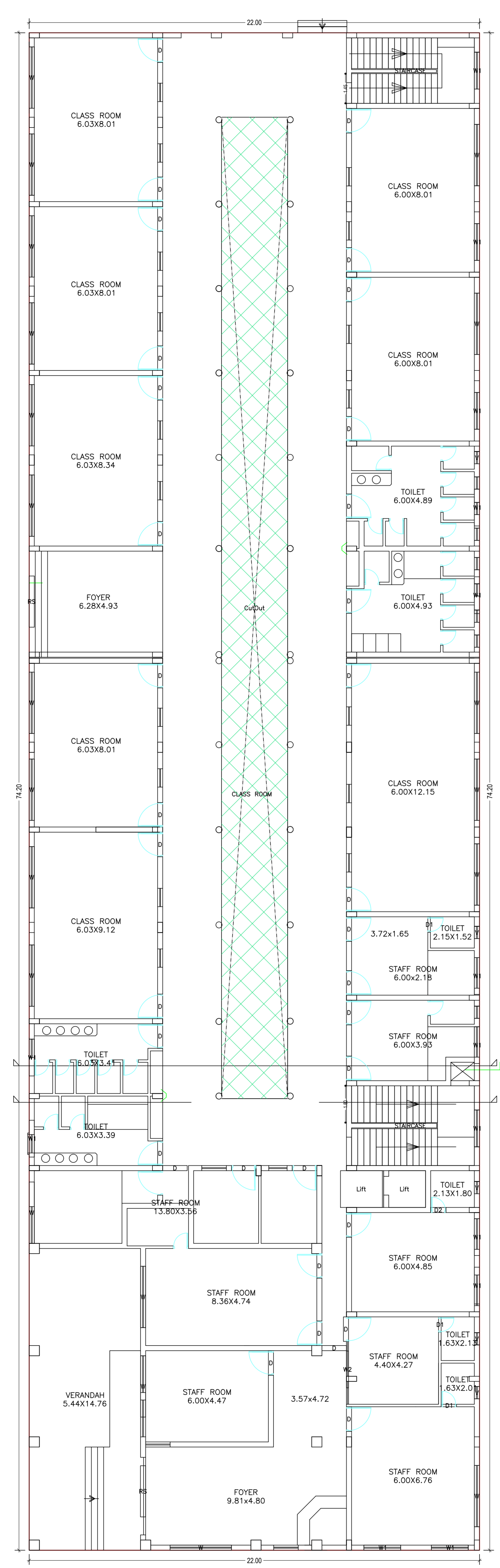
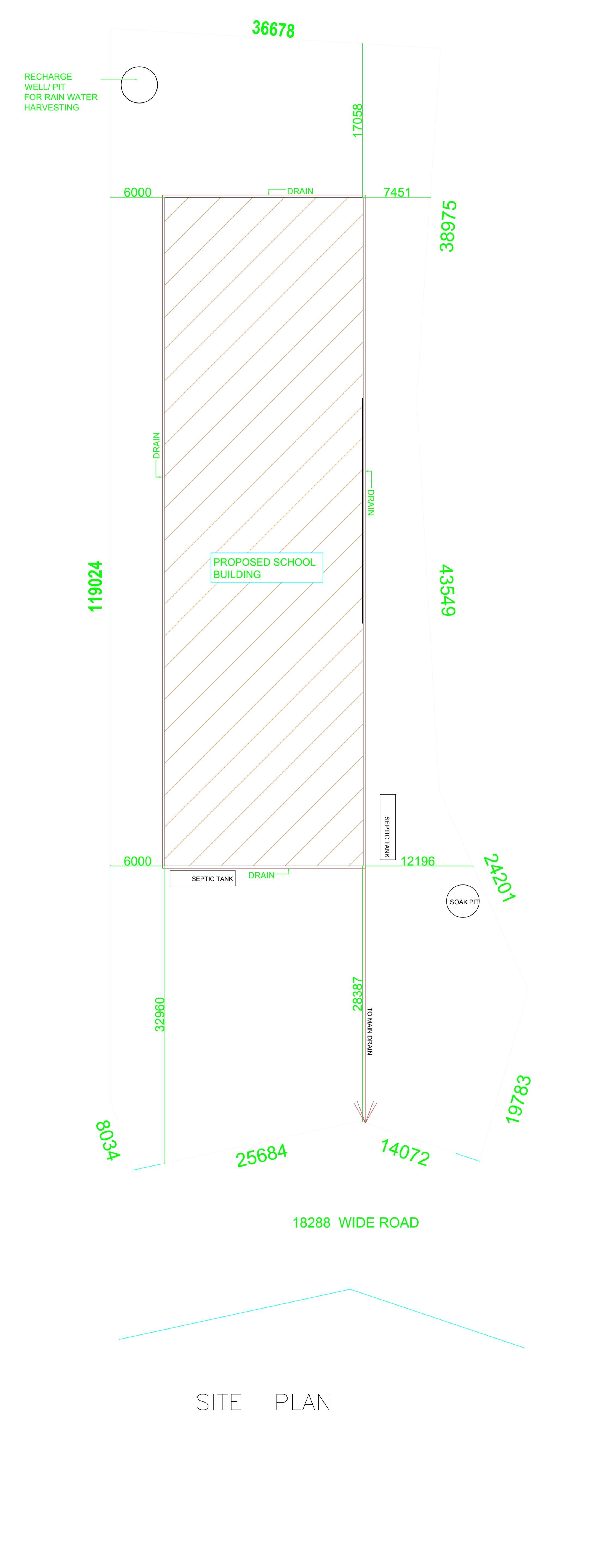
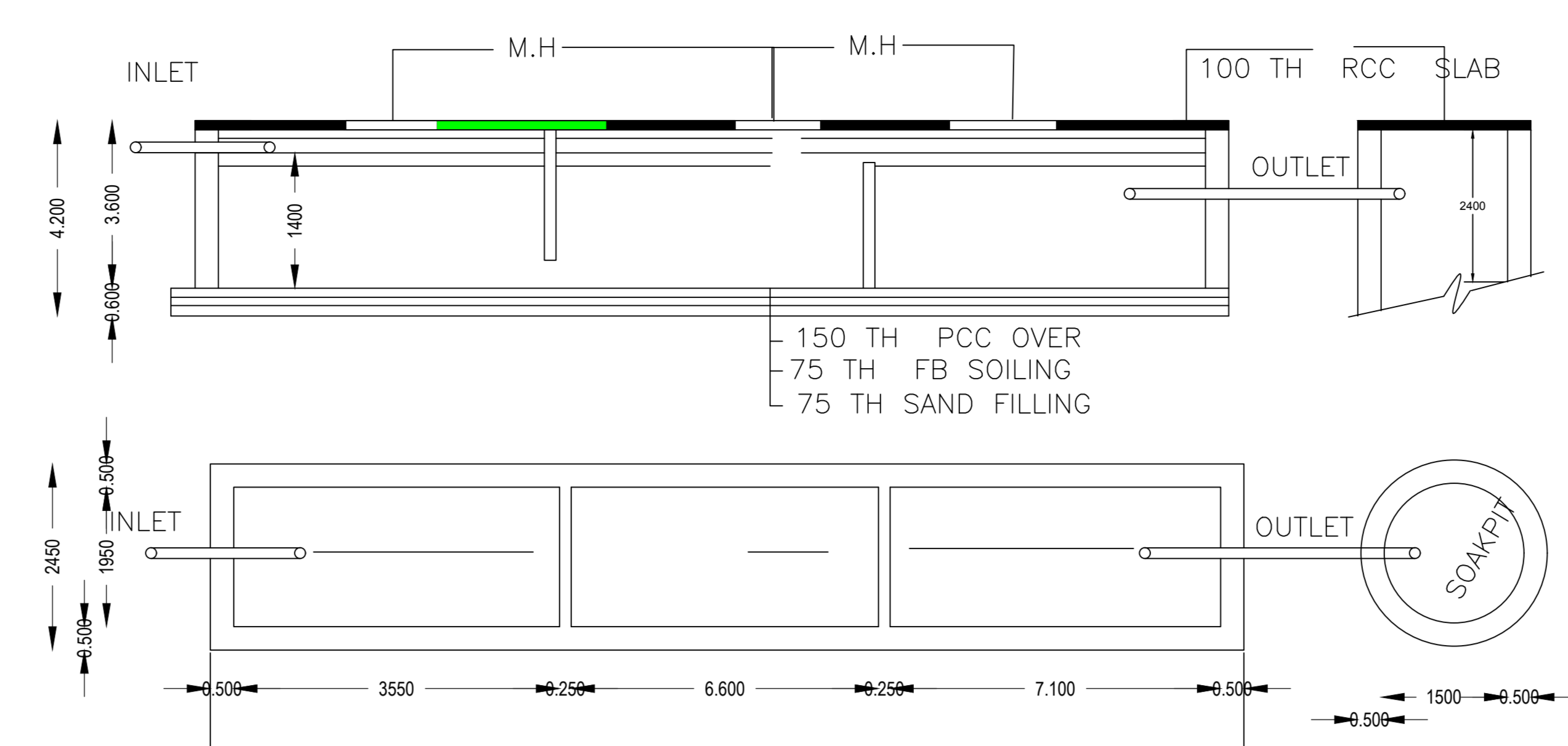
TYPICAL FOUNDATION & COLUMN DETAIL SCALE - 1:25



LOCATION PLAN

PREPARED BY	STRUCTURAL ENGINEER NAME AND SIGNATURE	BUILDER NAME AND SIGNATURE	DIGITAL SIGNATURE
D50AC00110019			

Proposed File No.	DSK/201/10019
Owner Name	UMANALINI BRAMHAM SARASWATI VIDYA MANDIR
Plot No	4713
Plot No	518
Usage Name	Female
Use	Educational
Station	Educational Building



DATE AND SIGNATURE	STRUCTURAL ENGINEER NAME AND SIGNATURE	BUILDER NAME AND SIGNATURE	DIGITAL SIGNATURE