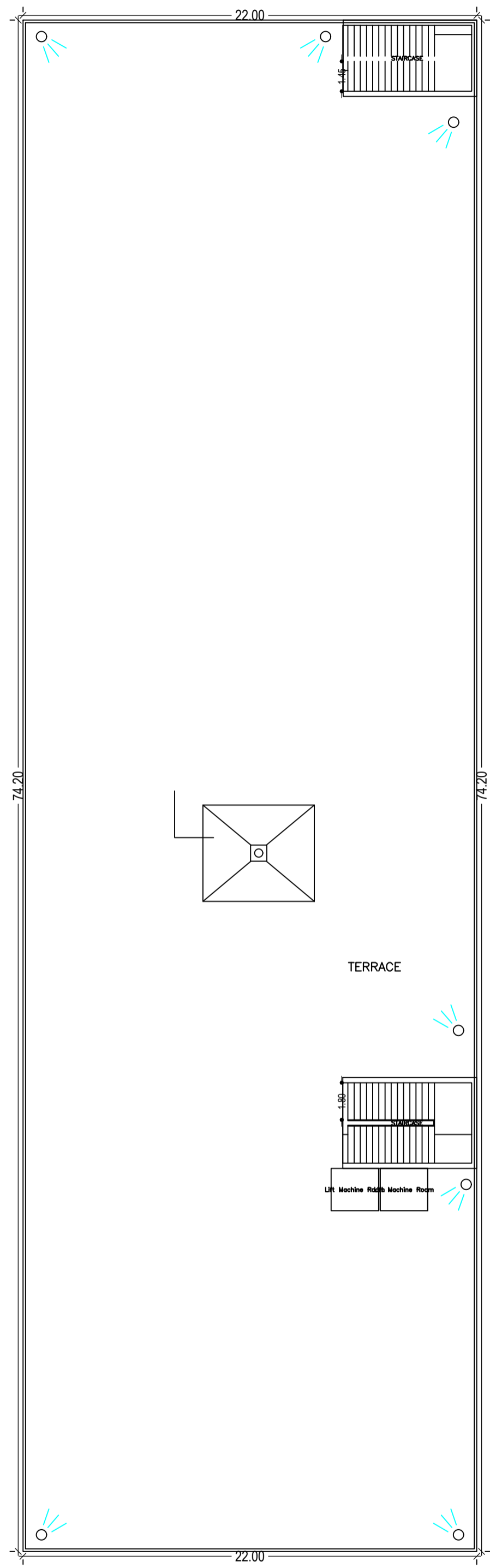
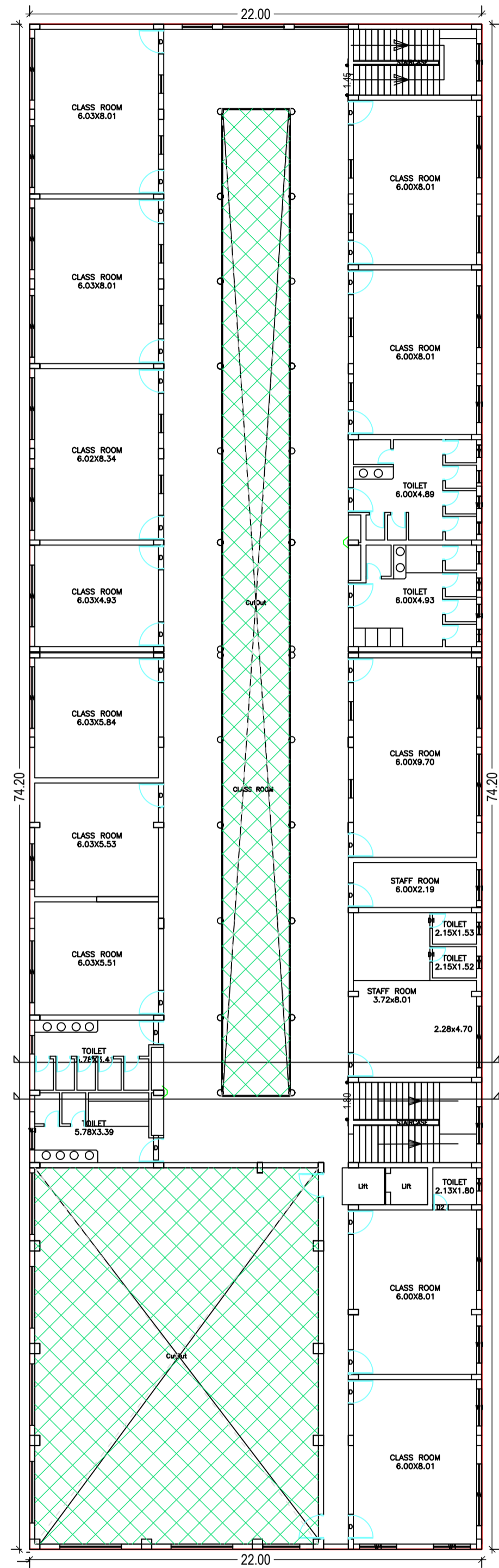


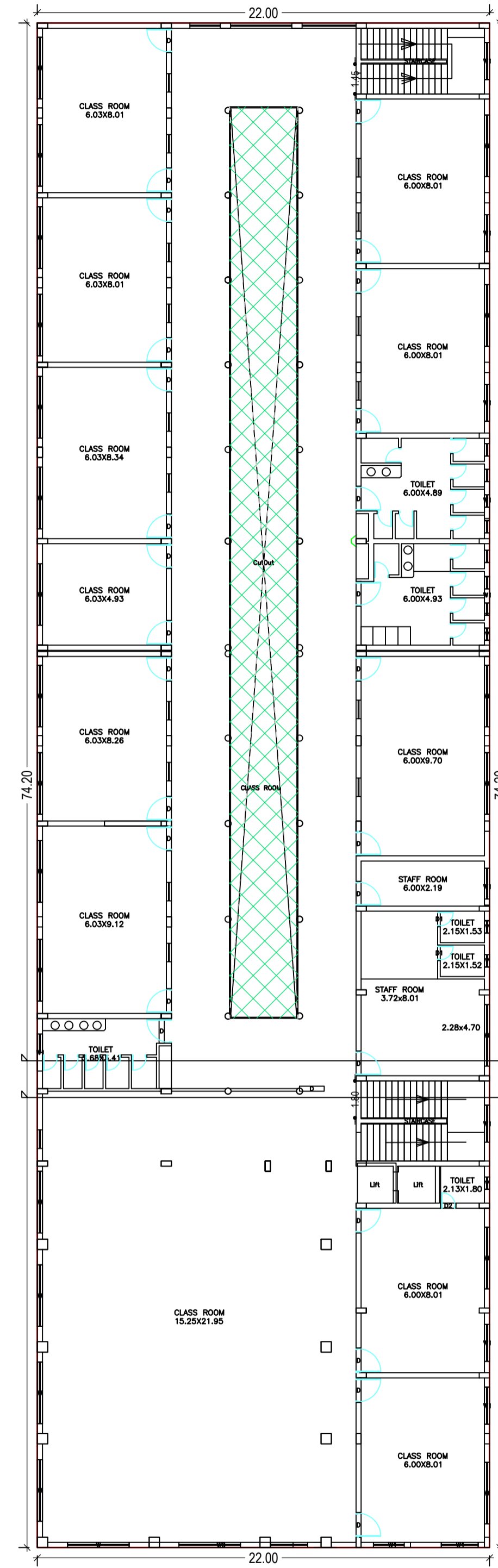
Proposal Basic Information	
Proposal File No.	0011/2019
Owner Name	UMANALINI BRAHMA SARASWATI VIDYA MANDIR
Khata No	47/13
Plot No	618
Village Name	Kunda
Use	Educational
SubUse	Educational Building



TERRACE FLOOR PLAN  
(SCALE 1:100)



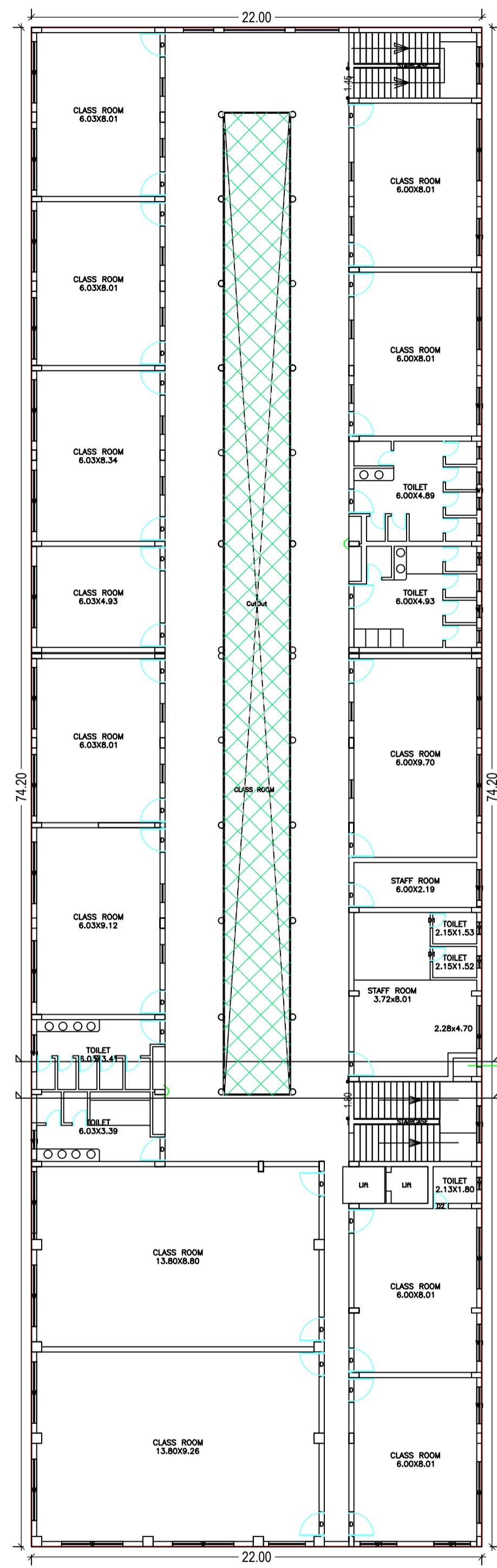
THIRD FLOOR PLAN  
(Proposed)  
(SCALE 1:100)



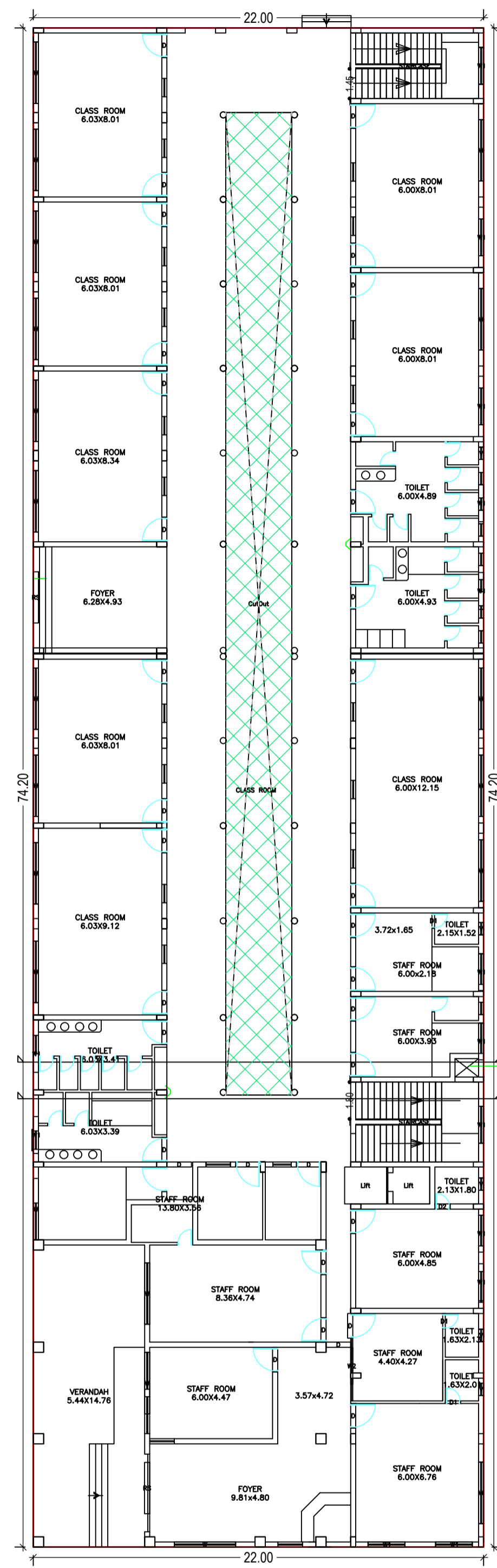
SECOND FLOOR PLAN  
(Proposed)  
(SCALE 1:100)

LTP NAME AND SIGNATURE	STRUCTURAL ENG'S NAME AND SIGNATURE	BUILDER NAME AND SIGNATURE	DIGITAL SIGNATURE
RAMESH CHANDRA DGM/ENG/0021/2017			

Proposal File No.	0011/2019
Owner Name	UMANALINI BRAHAM SARASWATI VIDYA MANDIR
Khata No	47/13
Plot No	618
Village Name	Kunda
Use	Educational
SubUse	Educational Building



FIRST FLOOR PLAN  
(Proposed)  
(SCALE 1:100)



GROUND FLOOR PLAN  
(Proposed)  
(SCALE 1:100)

Building :A (UMANALINI BRAMHAM SARASWATI VIDYA MANDIR)

Floor Name	Gross Builtup Area	Deductions From Gross BUA(Area in Sq.mt.)		Total Built Up Area (Sq.mt.)	Deductions (Area in Sq.mt.)		Proposed FAR Area (Sq.mt.)	Total FAR Area (Sq.mt.)	Total Consumed Additional FAR Area (Sq.mt.)	Tnmt (No.)
		Cutout	Lift		Lift	Educational				
Ground Floor	1632.64	154.98	0.00	1477.66	0.00	1477.66	1477.66	1477.66	01	
First Floor	1632.65	157.59	7.38	1475.06	7.38	1467.68	1467.68	1467.68	01	
Second Floor	1632.65	147.70	7.37	1484.95	1477.58	1477.58	1477.58	1477.58	01	
Third Floor	1632.64	412.79	7.38	1219.85	1212.47	1212.47	1212.47	1212.47	01	
Terrace Floor	0.00	0.00	0.00	0.00	0.00	0.00	0.00	0.00	00	
Total :	6530.58	873.06	22.13	5657.52	5635.39	5635.39	5635.39	5635.39	04	
Total Number of Same Buildings :	1									
Total :	6530.58	873.06	22.13	5657.52	5635.39	5635.39	5635.39	5635.39	04	

SCHEDULE OF DOOR:

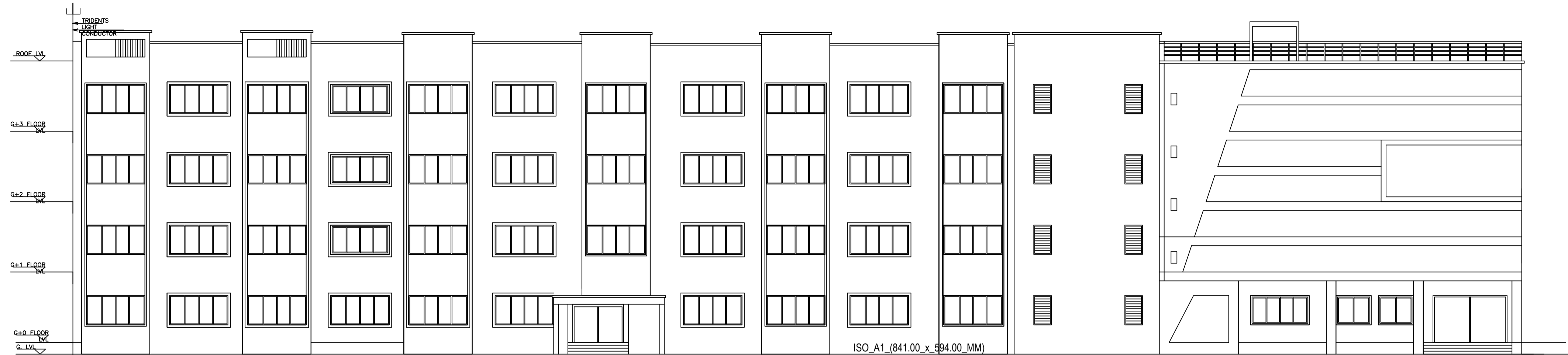
BUILDING NAME	NAME	LENGTH	HEIGHT	NOS
A (UMANALINI BRAMHAM SARASWATI VIDYA MANDIR)	D1	0.75	2.13	09
A (UMANALINI BRAMHAM SARASWATI VIDYA MANDIR)	D2	0.75	2.13	04
A (UMANALINI BRAMHAM SARASWATI VIDYA MANDIR)	D	1.20	2.13	121
A (UMANALINI BRAMHAM SARASWATI VIDYA MANDIR)	RS	2.50	2.13	02

SCHEDULE OF WINDOW/VENTILATION:

BUILDING NAME	NAME	LENGTH	HEIGHT	NOS
A (UMANALINI BRAMHAM SARASWATI VIDYA MANDIR)	V	0.60	2.70	18
A (UMANALINI BRAMHAM SARASWATI VIDYA MANDIR)	W1	1.80	2.80	50
A (UMANALINI BRAMHAM SARASWATI VIDYA MANDIR)	W2	1.80	2.80	01
A (UMANALINI BRAMHAM SARASWATI VIDYA MANDIR)	W	3.00	2.80	84
A (UMANALINI BRAMHAM SARASWATI VIDYA MANDIR)	W0	7.00	2.90	01

LTP NAME AND SIGNATURE	STRUCTURAL ENG'S NAME AND SIGNATURE	BUILDER NAME AND SIGNATURE	DIGITAL SIGNATURE
RAMESH CHANDRA DGM/ENG/0021/2017			

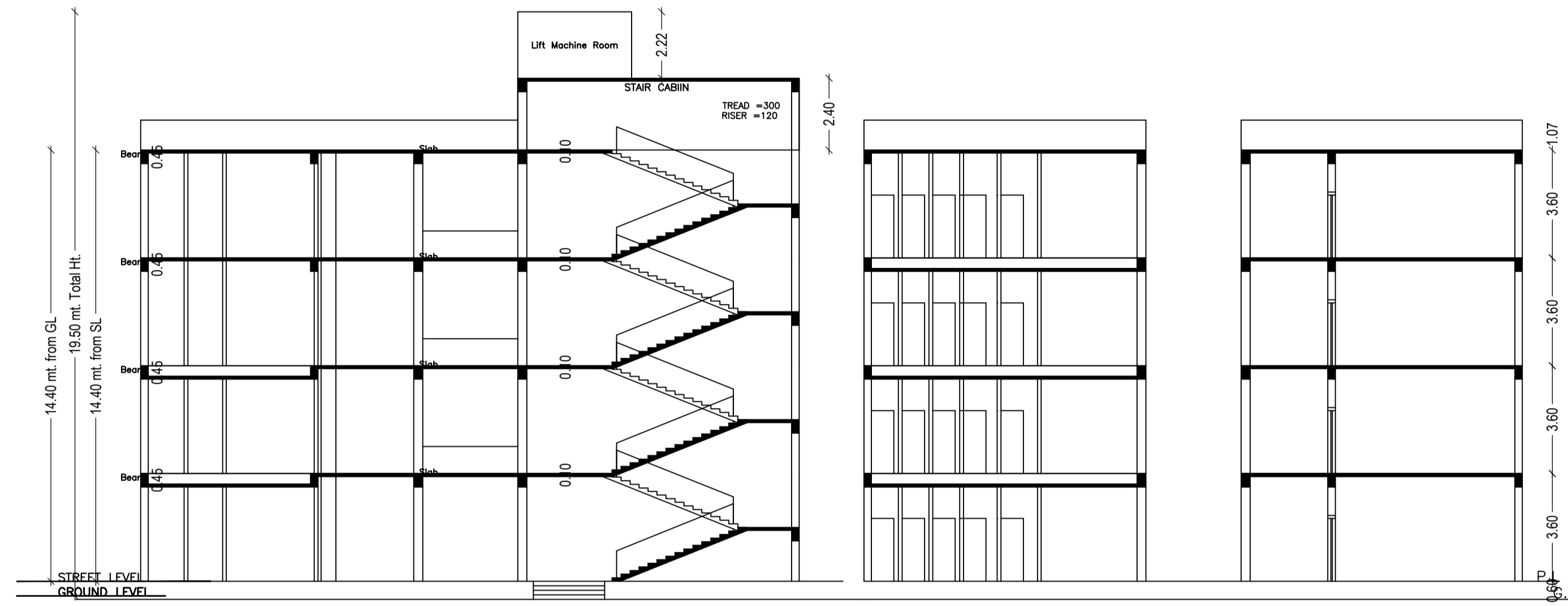
Proposal Basic Information	
Proposal File No.	0011/2019
Owner Name	UMANALINI BRAHAM SARASWATI VIDYA MANDIR
Khata No	47/13
Plot No	618
Village Name	Kunda
Use	Educational
SubUse	Educational Building



NORTH SIDE ELEVATION

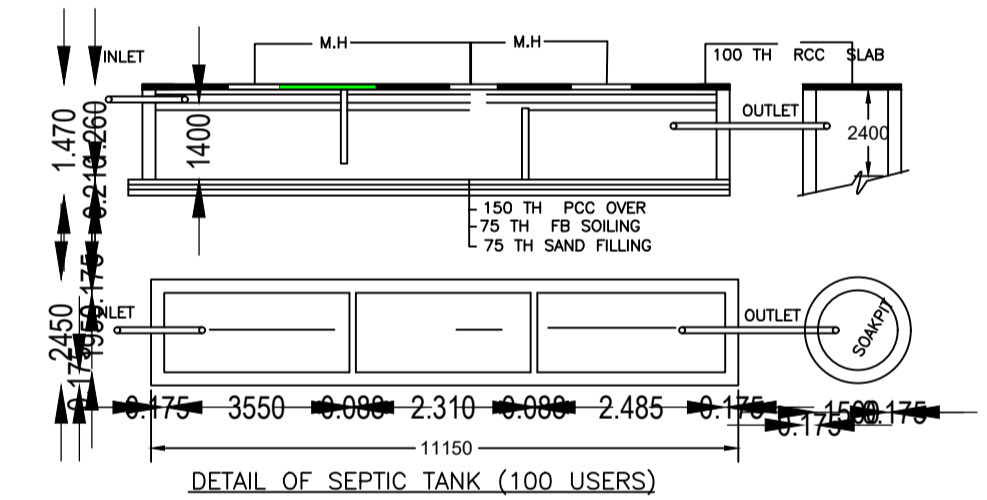
UnitBUA Table for Building :A (UMANALINI BRAMHAM SARASWATI VIDYA MANDIR)

FLOOR	Name	UnitBUA Type	UnitBUA Area	Carpet Area	No. of Rooms	No. of Tenement
THIRD FLOOR PLAN	CLASS ROOM	CLASS ROOM	1120.36	1119.61	21	1
SECOND FLOOR PLAN	CLASS ROOM	CLASS ROOM	1385.84	1385.09	20	1
FIRST FLOOR PLAN	CLASS ROOM	CLASS ROOM	1375.57	1374.82	22	1
GROUND FLOOR PLAN	CLASS ROOM	CLASS ROOM	1378.18	1377.42	27	1
Total:	-	-	5259.95	5256.94	90	4

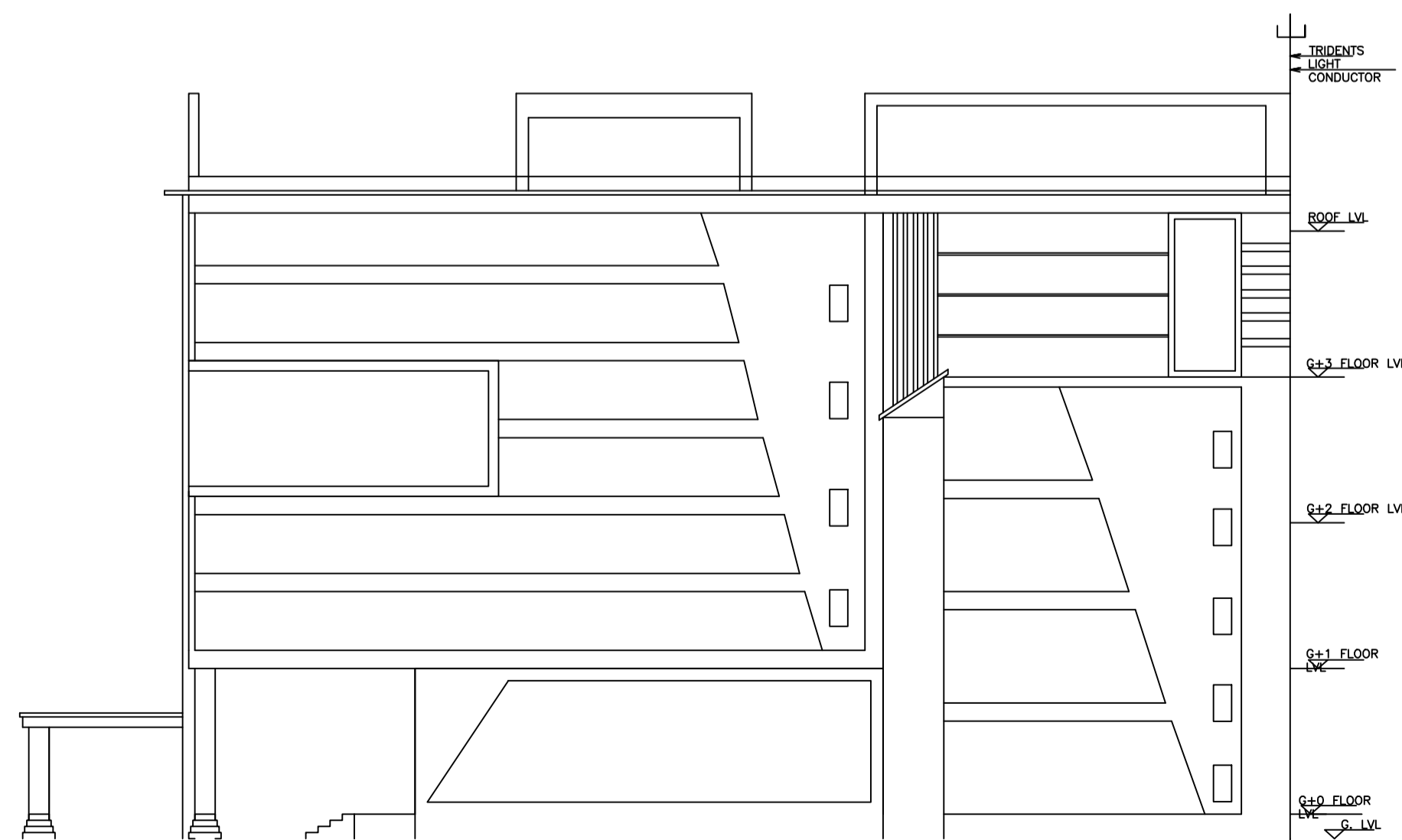


SECTION AT X-X

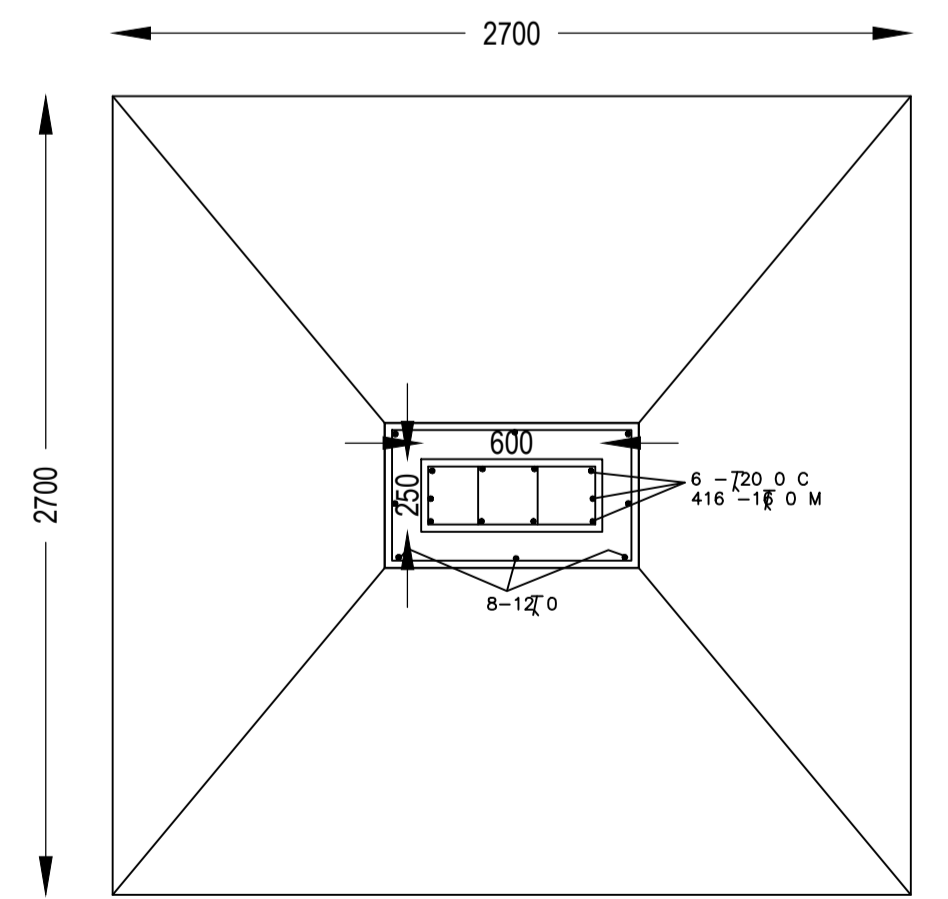
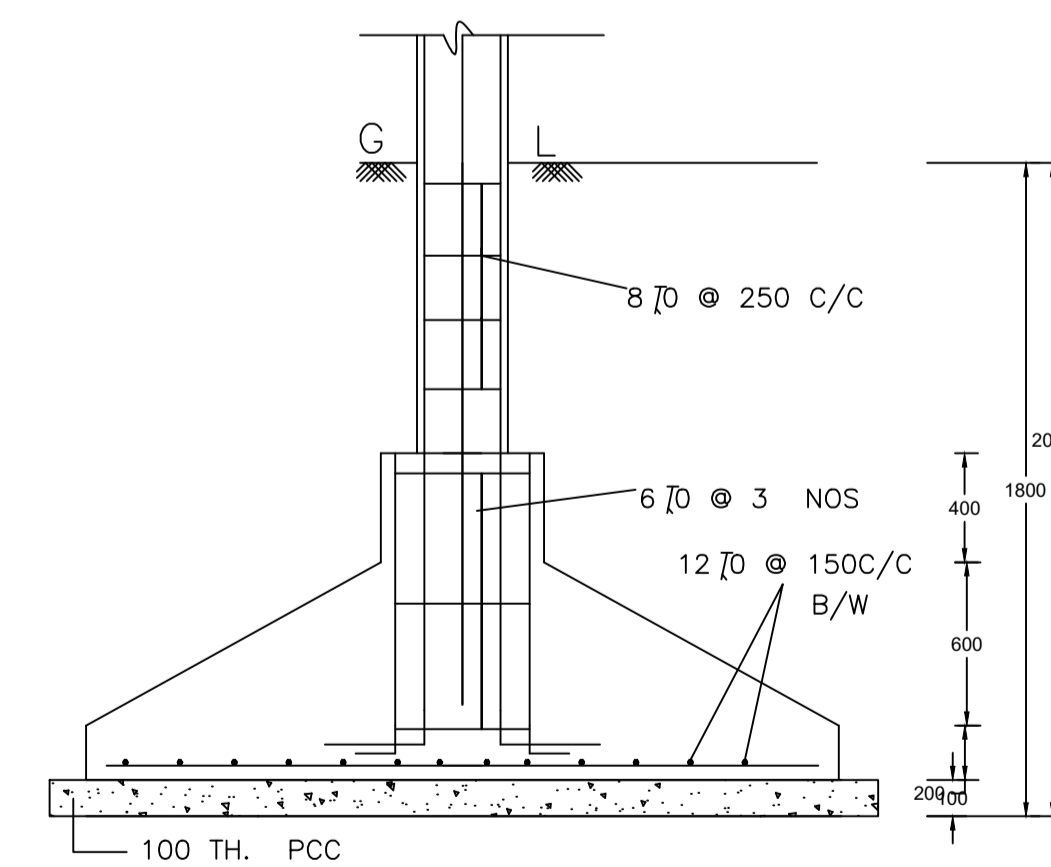
SECTION AT Y-Y



DETAIL OF SEPTIC TANK (100 USERS)



WEST SIDE ELEVATION

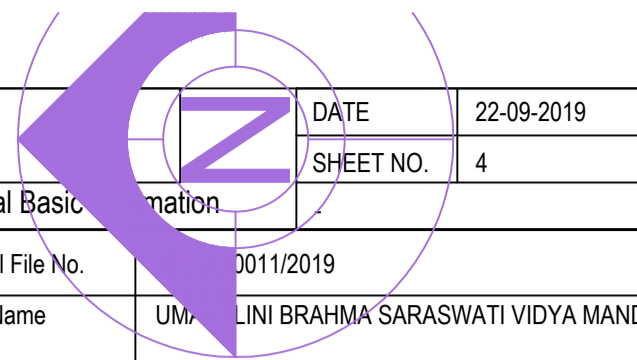


TYPICAL FOUNDATION&COLUMN DETAIL

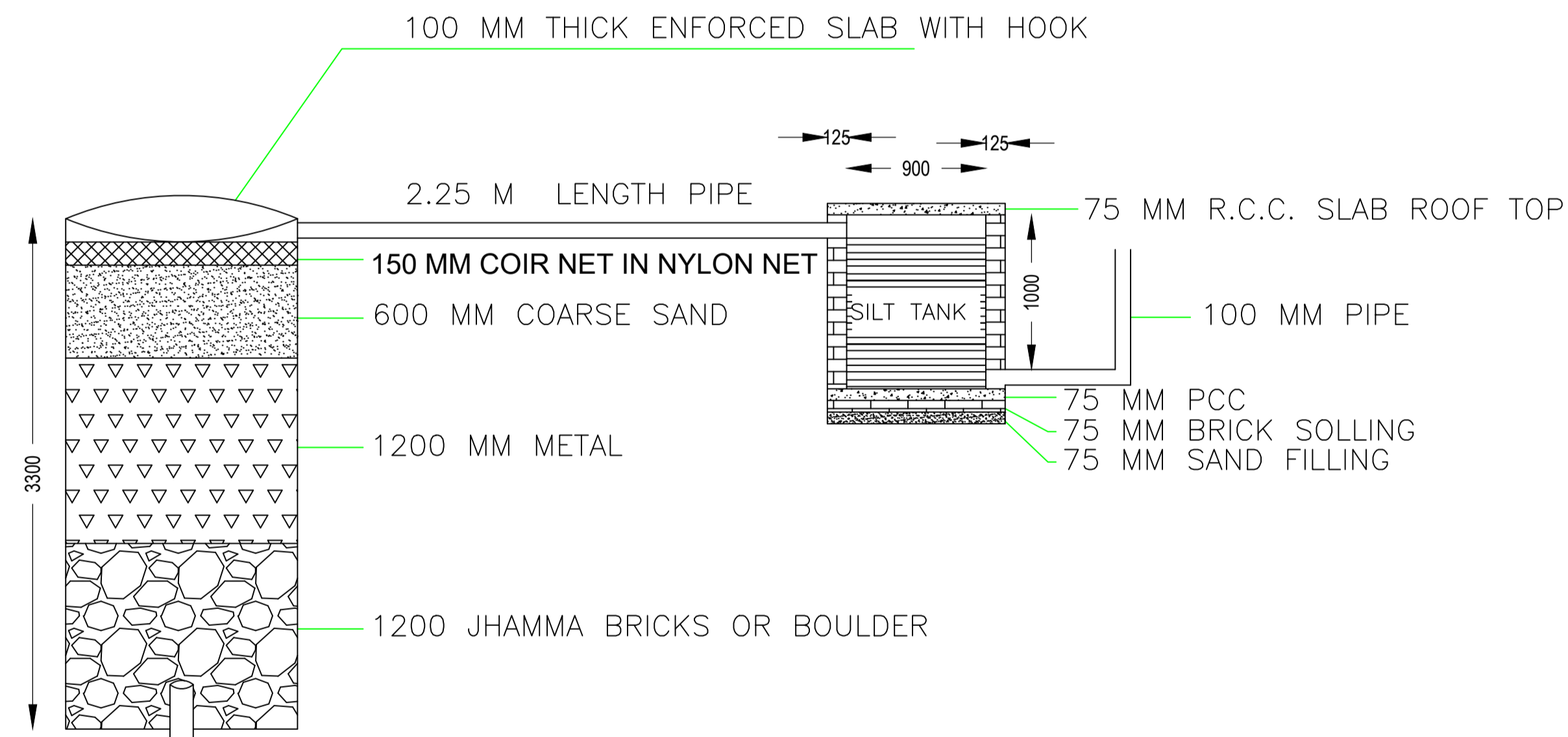
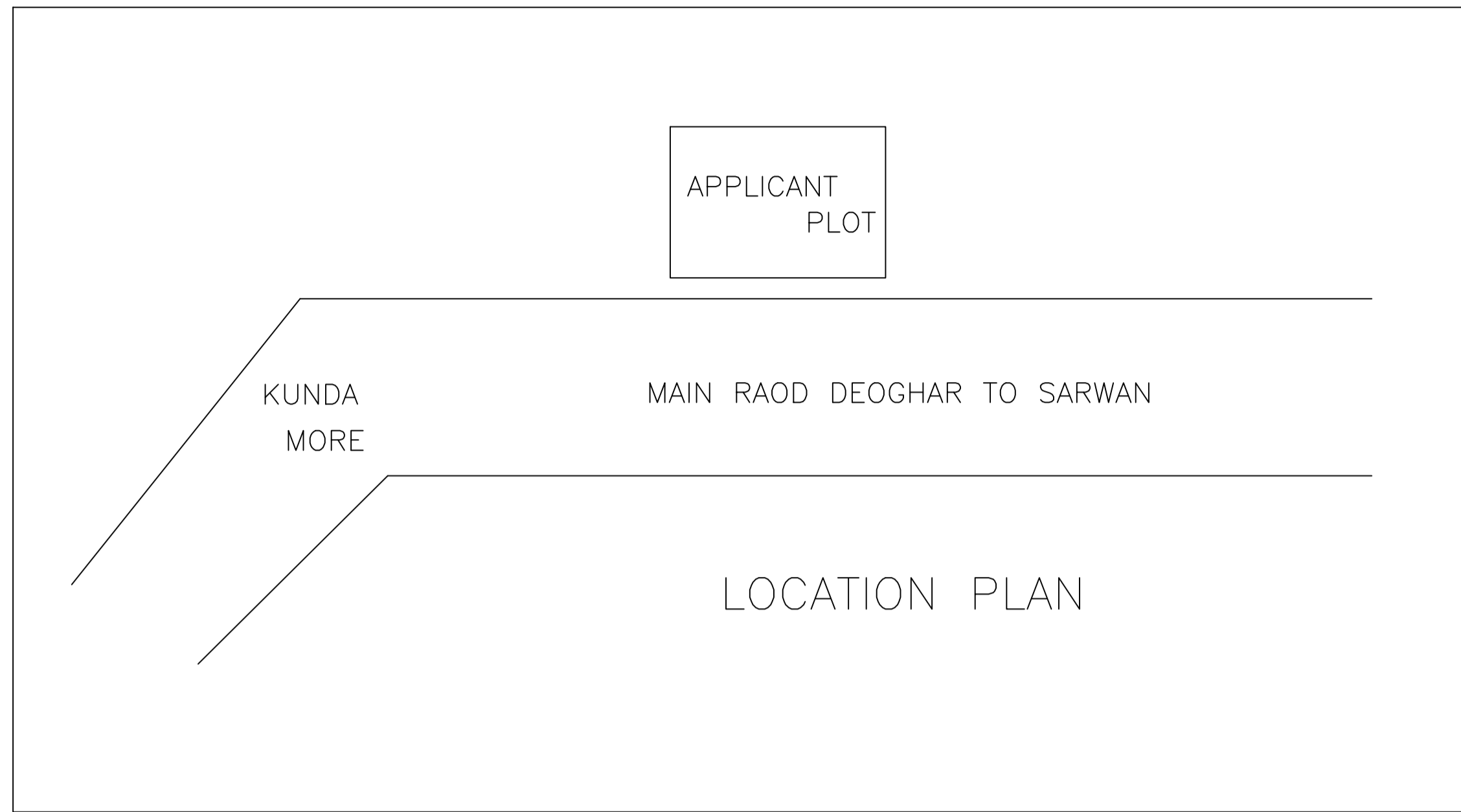
SCALE - 1:25

LTP NAME AND SIGNATURE	STRUCTURAL ENG'S NAME AND SIGNATURE	BUILDER NAME AND SIGNATURE	DIGITAL SIGNATURE
RAMESH CHANDRA DGM/ENG/0021/2017			



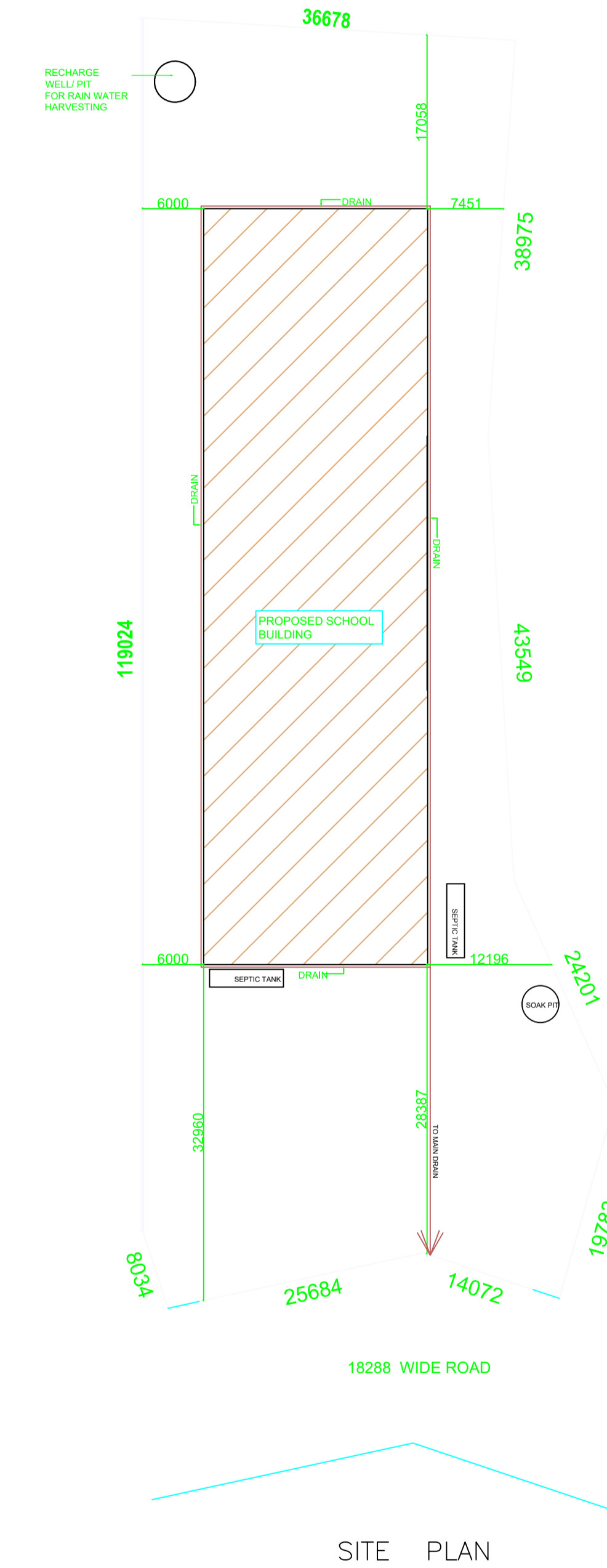


Proposal Basic Information	
Proposal File No.	0011/2019
Owner Name	UMANALINI BRAMHAM SARASWATI VIDYA MANDIR
Khata No	47/13
Plot No	618
Village Name	Kunda
Use	Educational
SubUse	Educational Building



150 MM DIA BOREWELL MINIMUM DEPTH 50 M (UPTO FRACTURE ZONE)

**DETAILS OF GROUND WATER RECHARGING PIT WITH SILT TANK**



LTP NAME AND SIGNATURE	STRUCTURAL ENG'S NAME AND SIGNATURE	BUILDER NAME AND SIGNATURE	DIGITAL SIGNATURE
RAMESH CHANDRA DGM/ENG/0021/2017			

