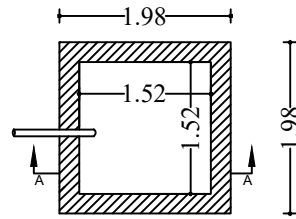
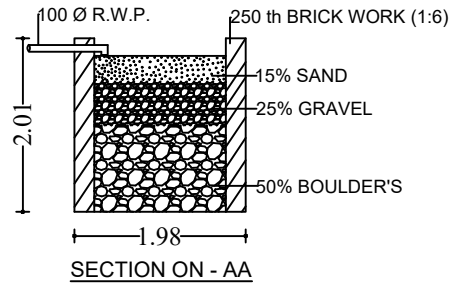
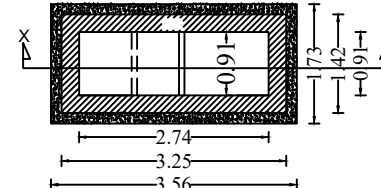
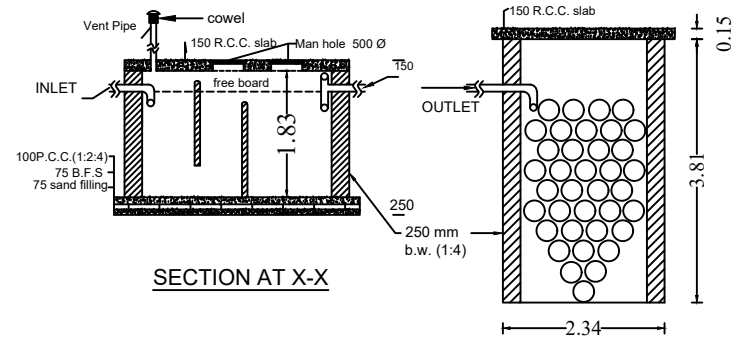


DETAILS OF LIGHTENING CONDUCTOR



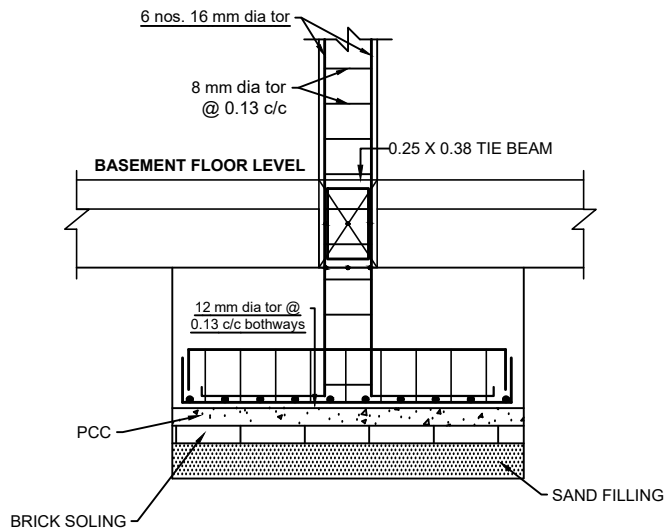
PLAN

DETAILS OF RAIN WATER HARVESTING TANK

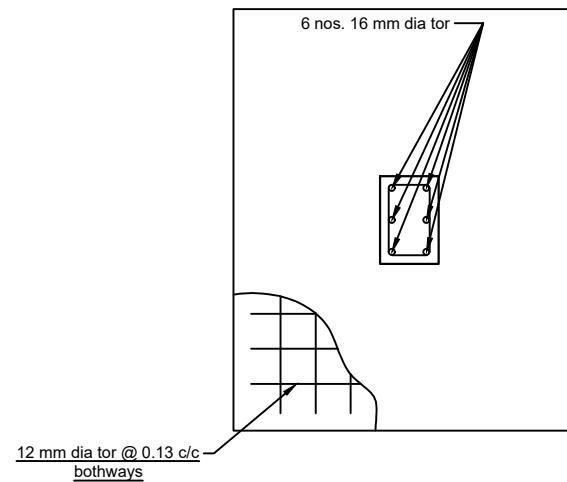


PLAN

DETAIL OF SEPTIC TANK AND SOAK PIT



**FOUNDATION-1
1:25**



**PLAN OF FOUNDATION
1:25**