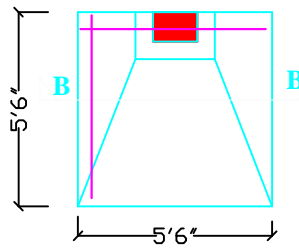
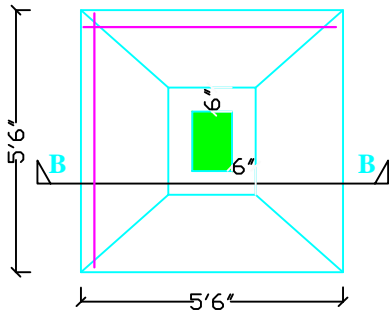
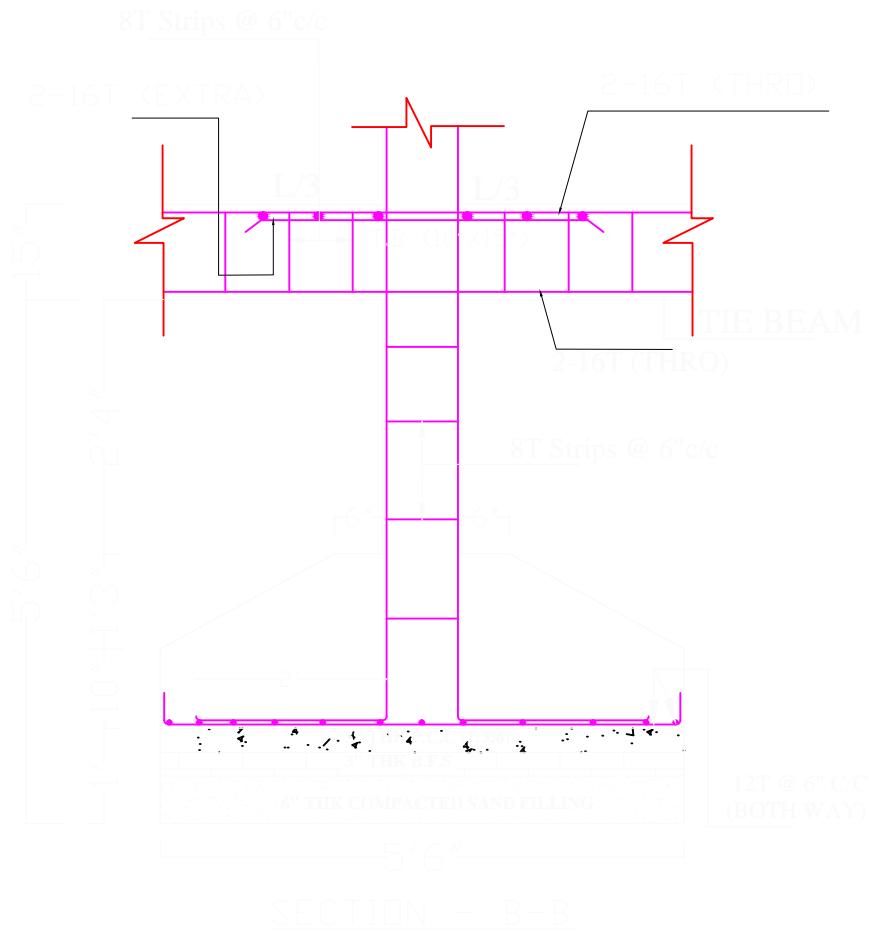


10"X15"

C1



FOUNDATION
COL (10"X15")

Structure Detail