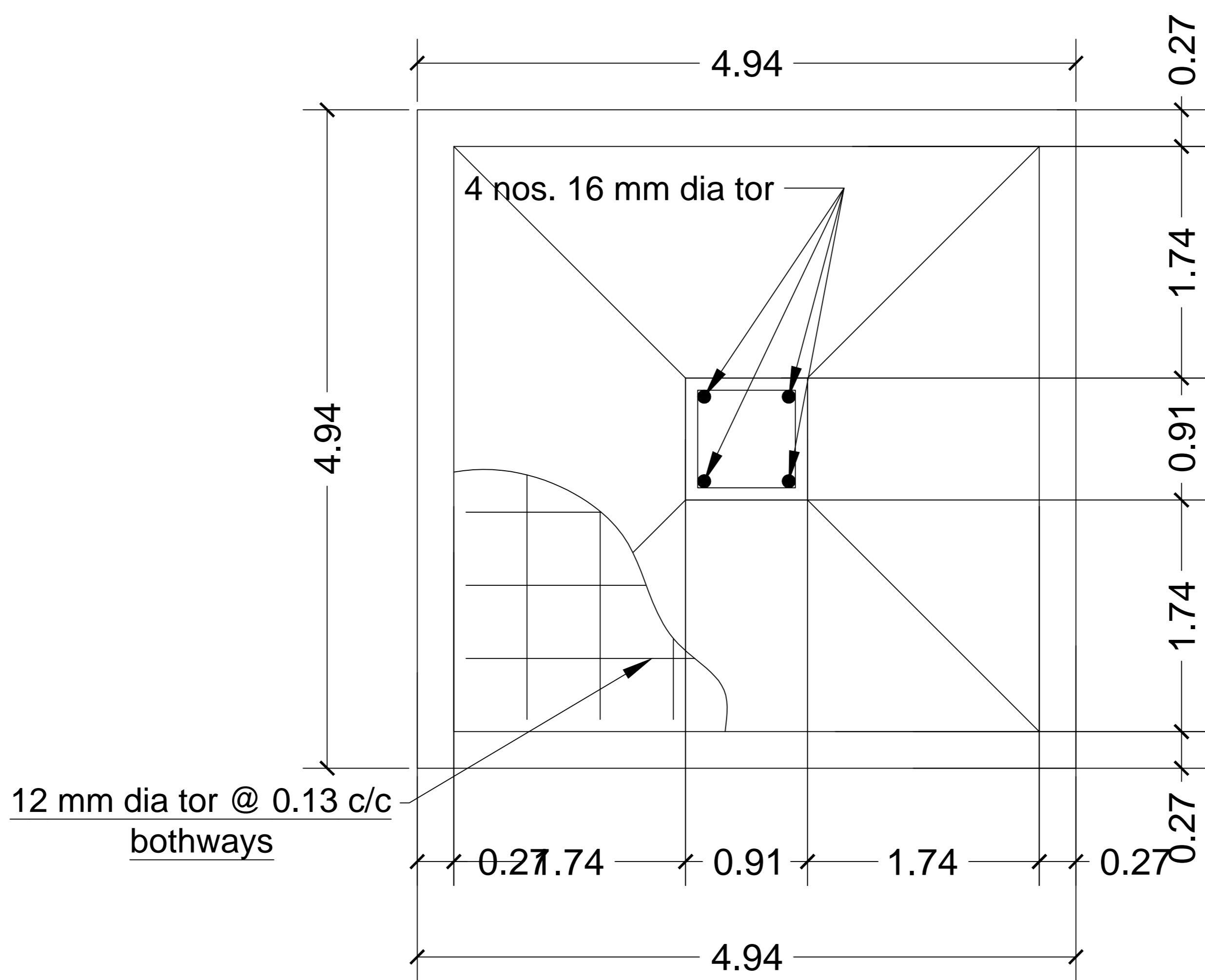


**FOUNDATION**  
**1:25**



**PLAN OF FOUNDATION**  
**1:25**