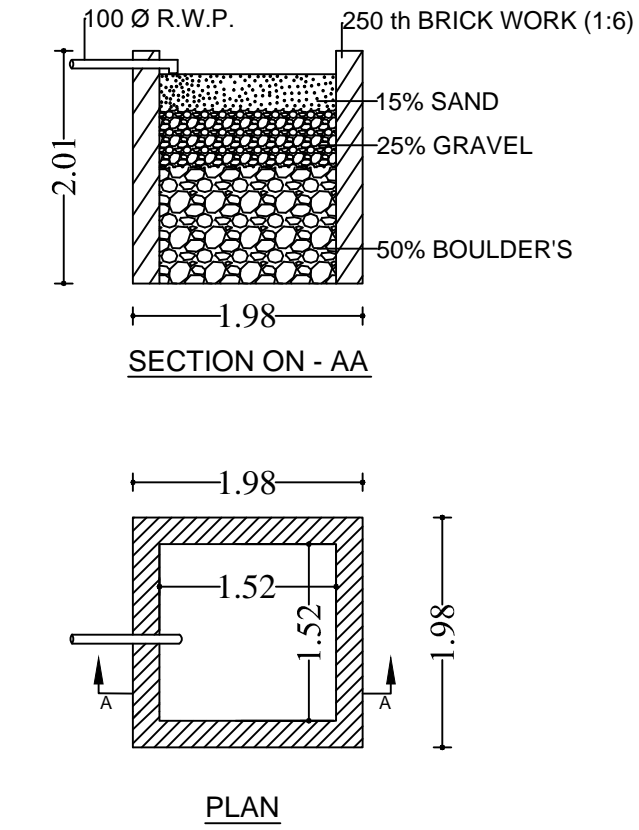
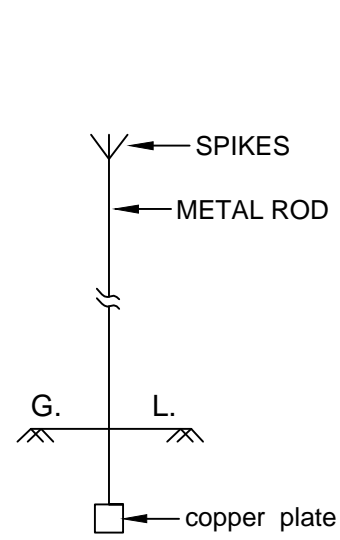
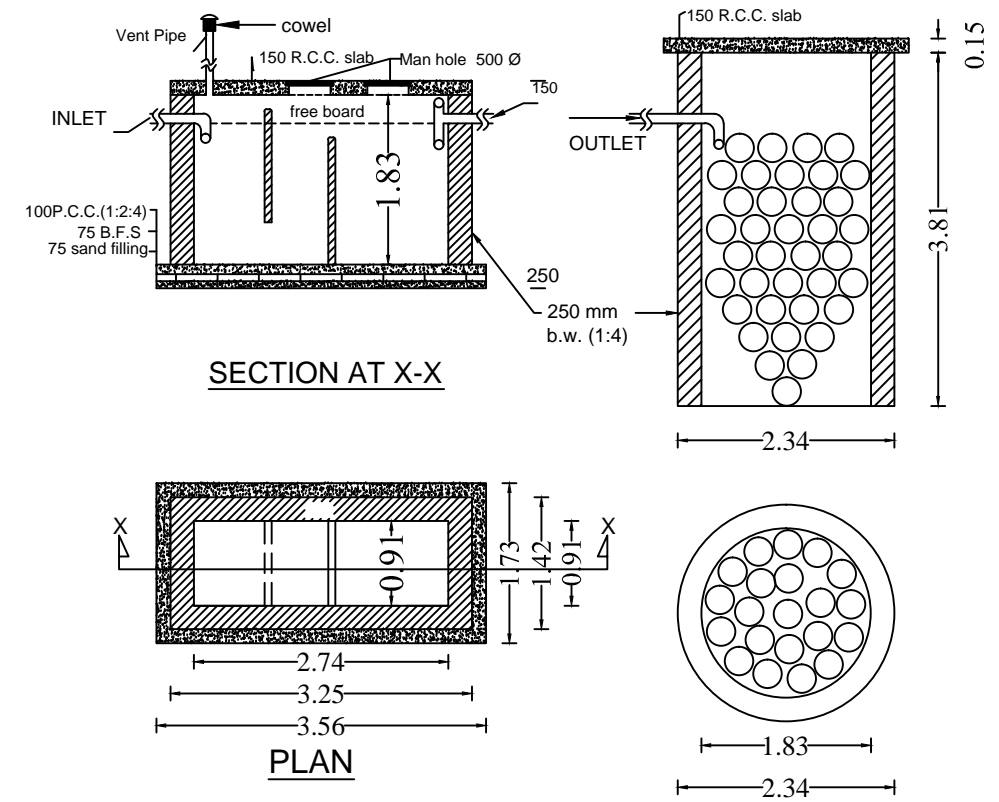


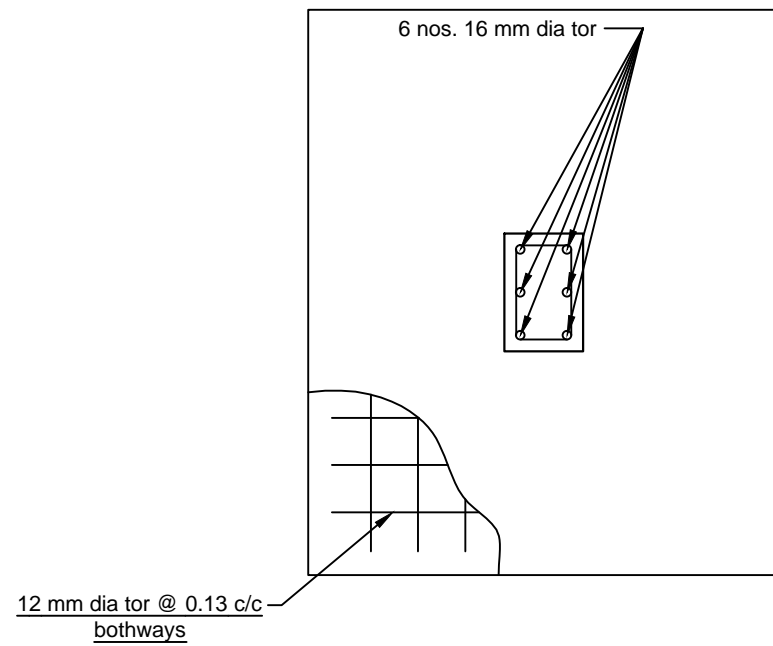
**DETAILS OF LIGHTENING CONDUCTOR**



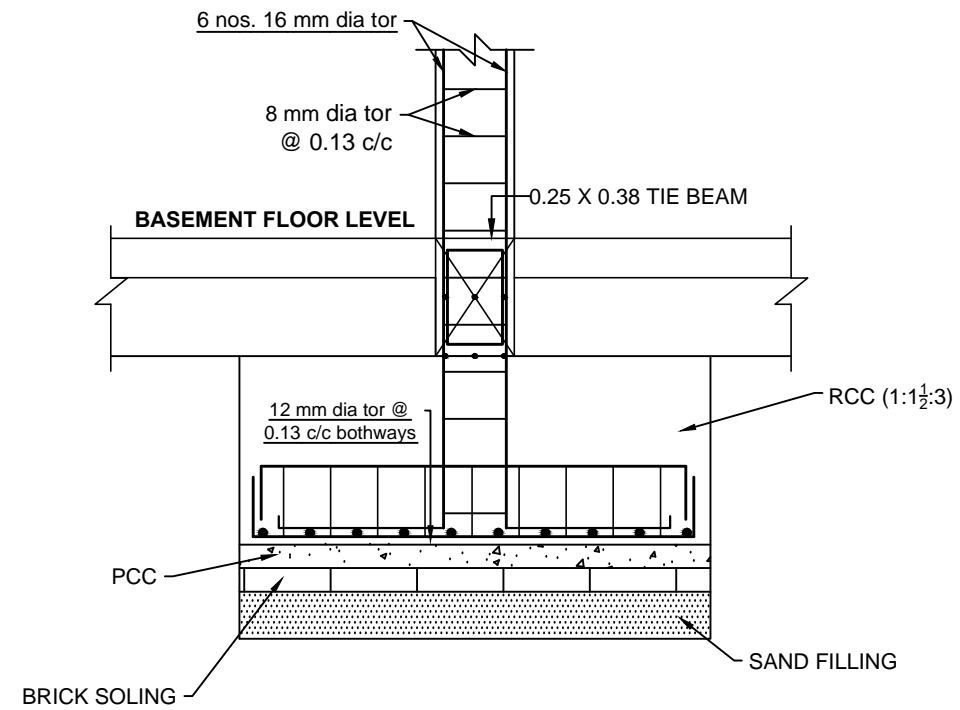
**DETAILS OF RAIN WATER HARVESTING TANK**



**DETAIL OF SEPTIC TANK AND SOAK PIT**



**PLAN OF FOUNDATION  
1:25**



**FOUNDATION-1  
1:25**