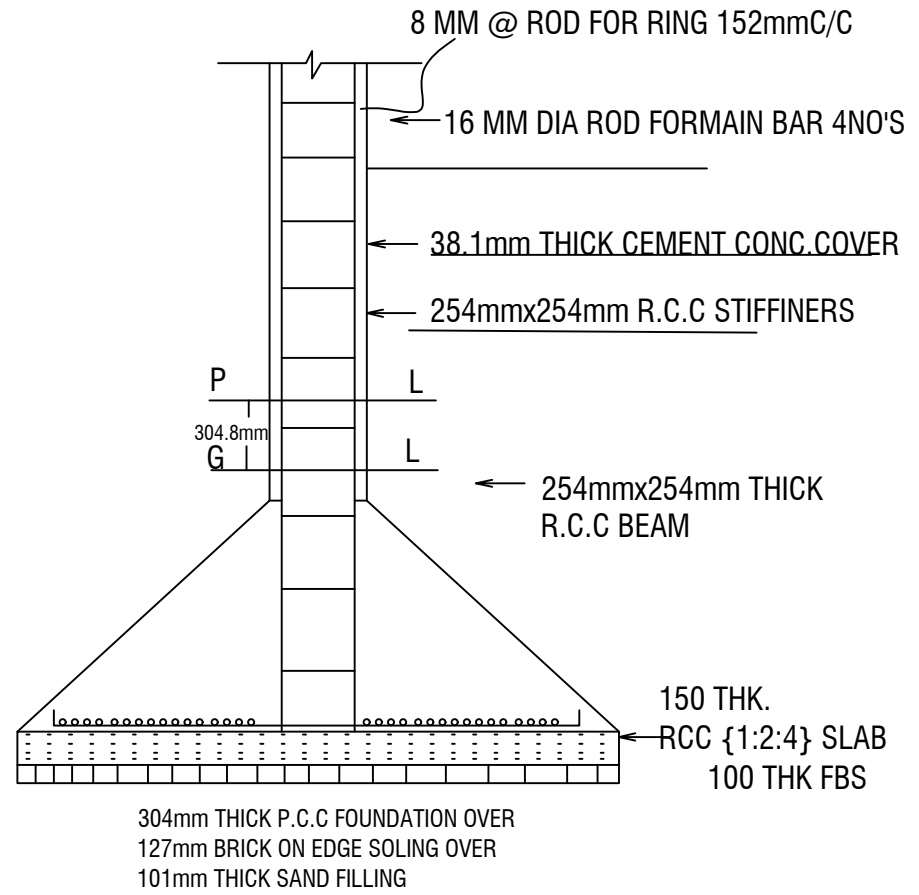


12 MM DIA TORR STEEL.
FOR BED-PLATE IN BOTH
SIDES IN FOUNDATION

PLAN OF BEDPLATE
IN FOUNDATION



CROSS SECTION OF R.C.C STIFFINERS