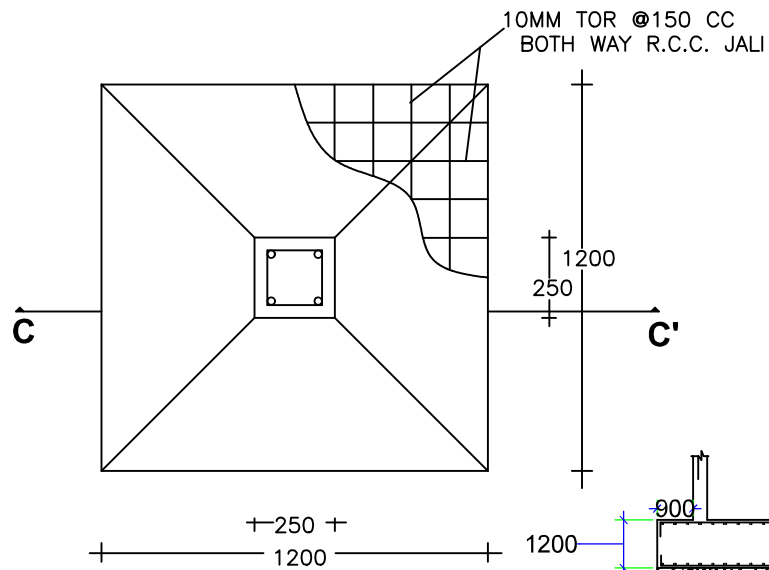
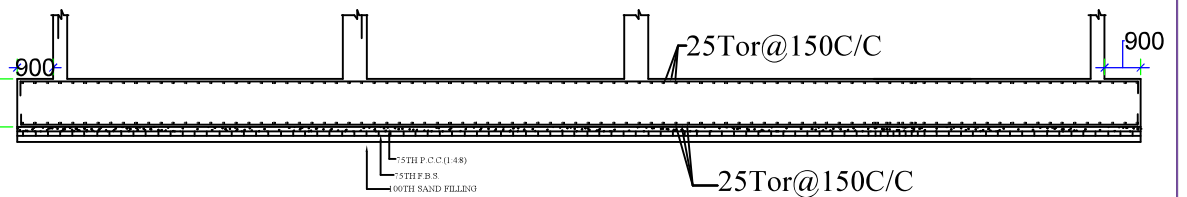


SECTION C-C'



PLAN

DETAIL OF FOUNDATION



TYPICAL DETAILS RAFT SLAB