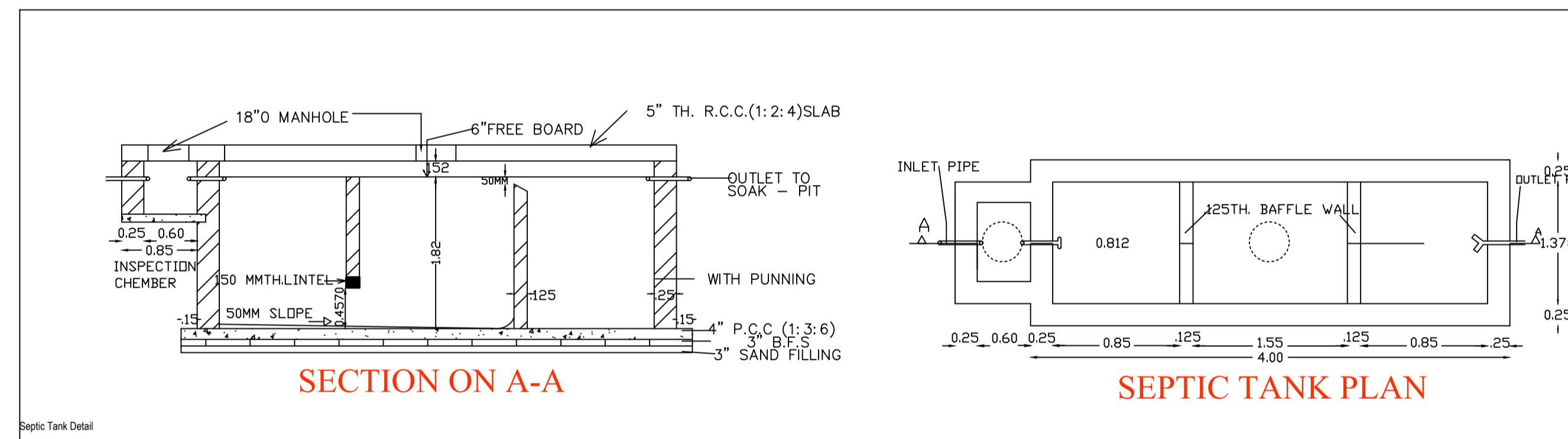
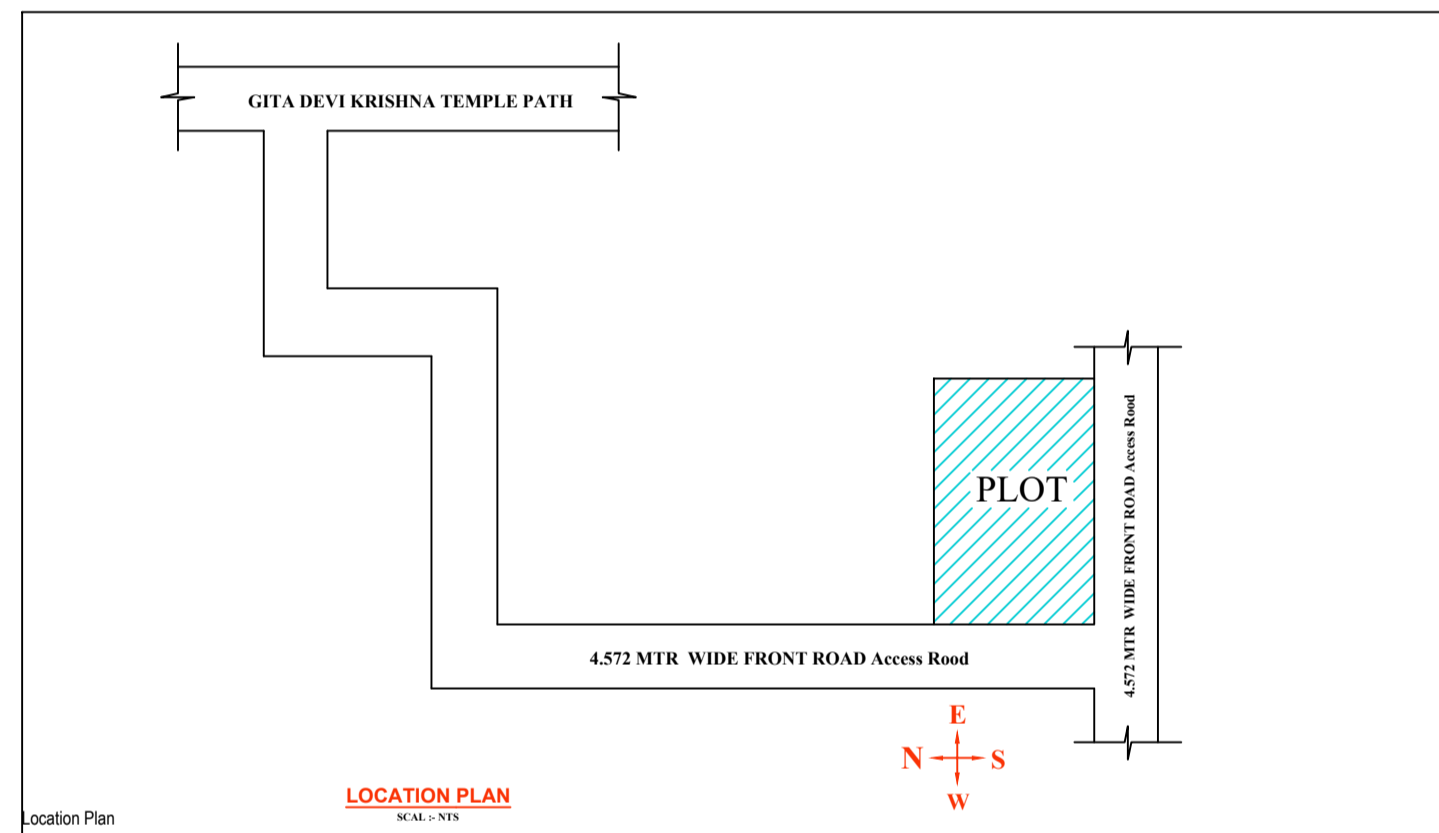
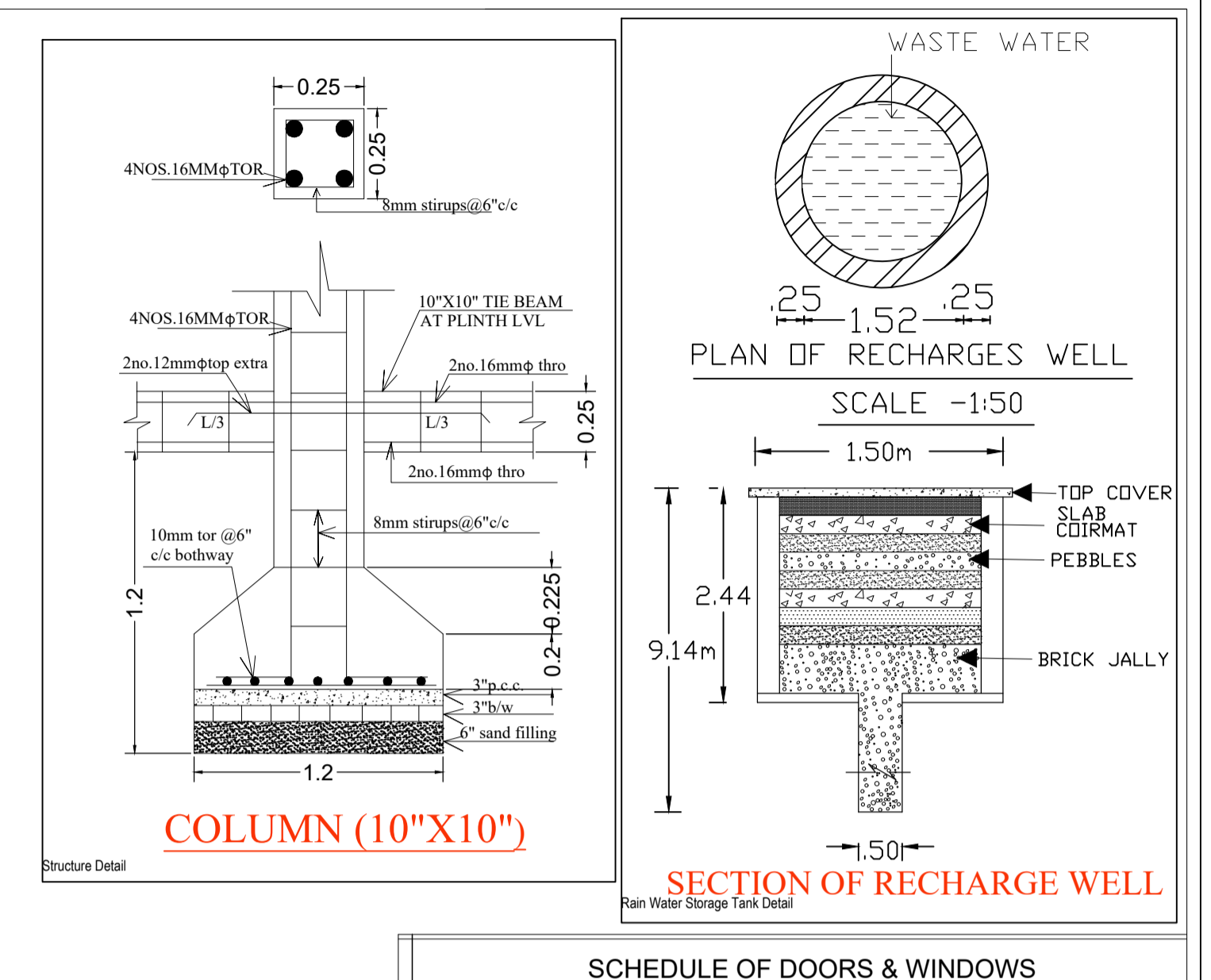
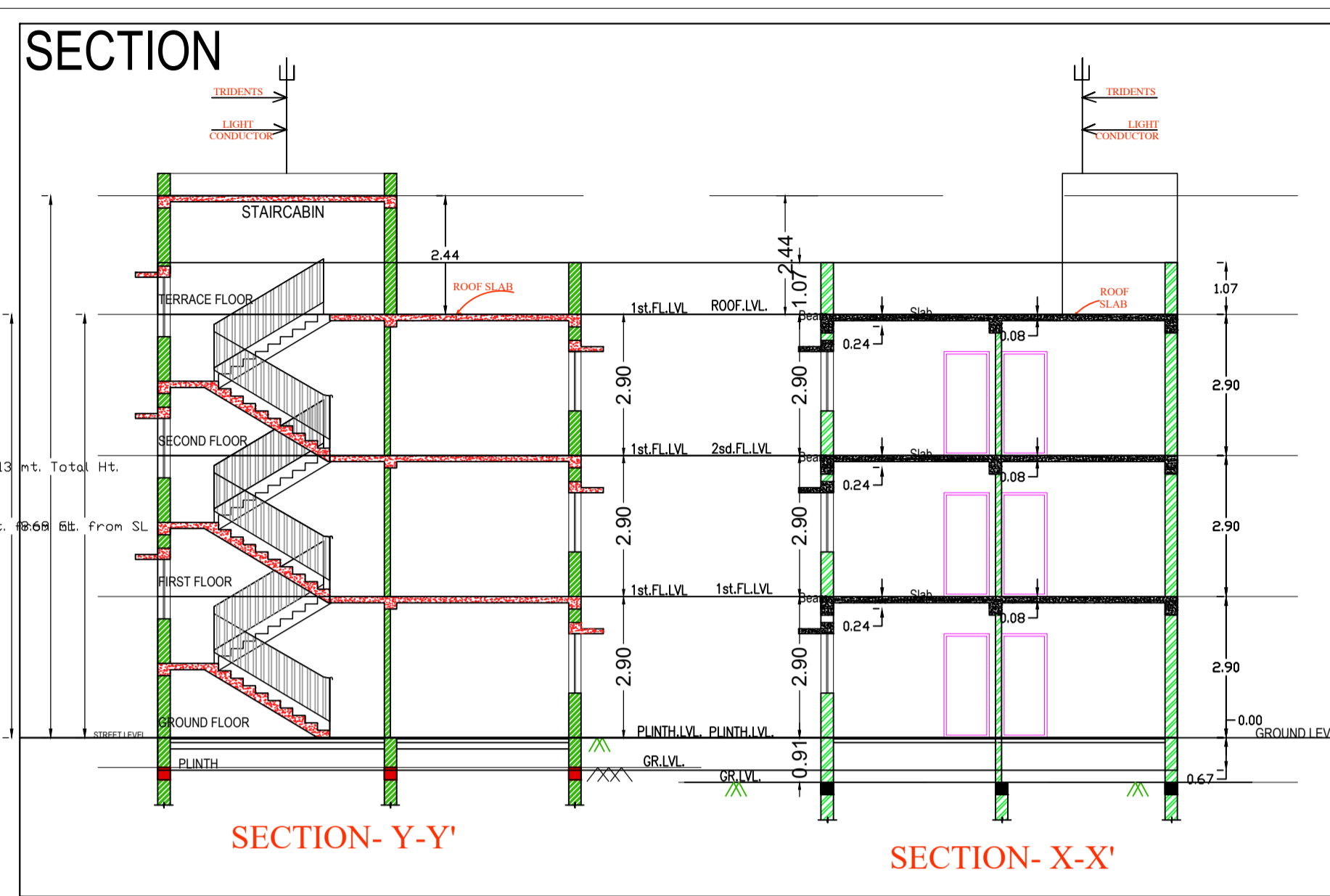
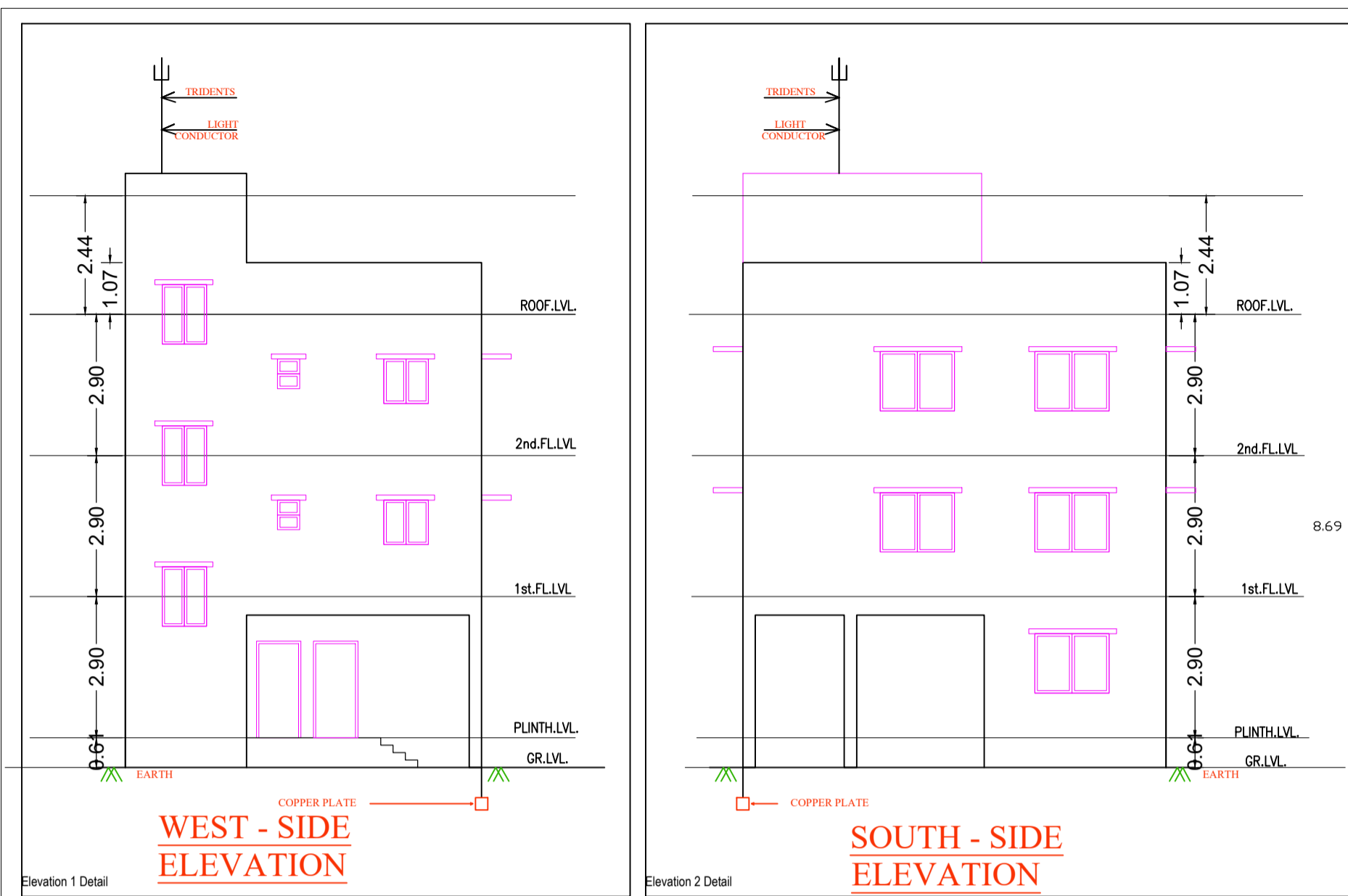


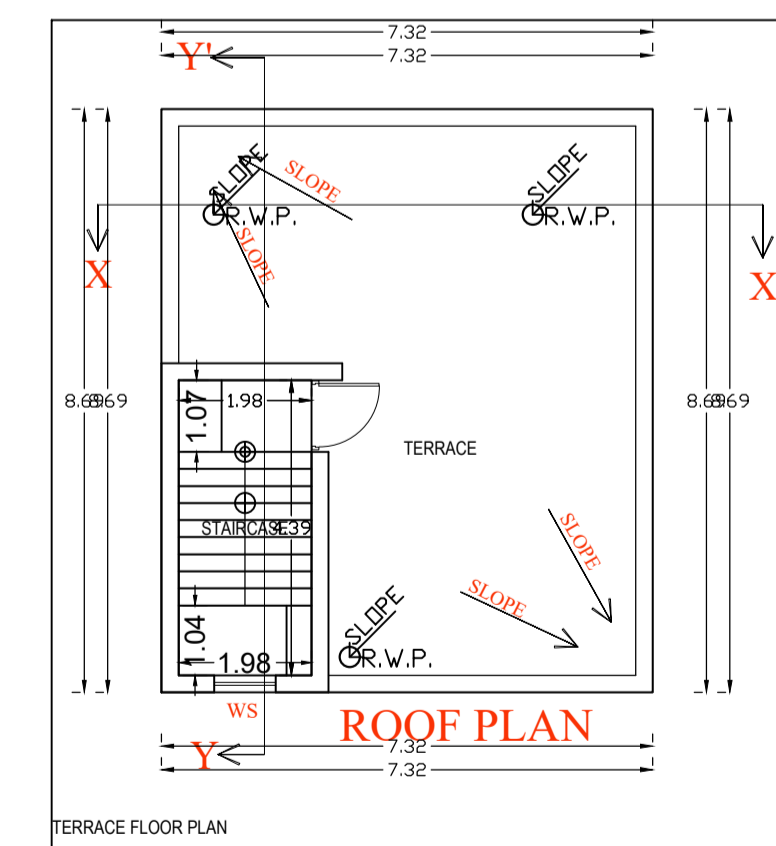
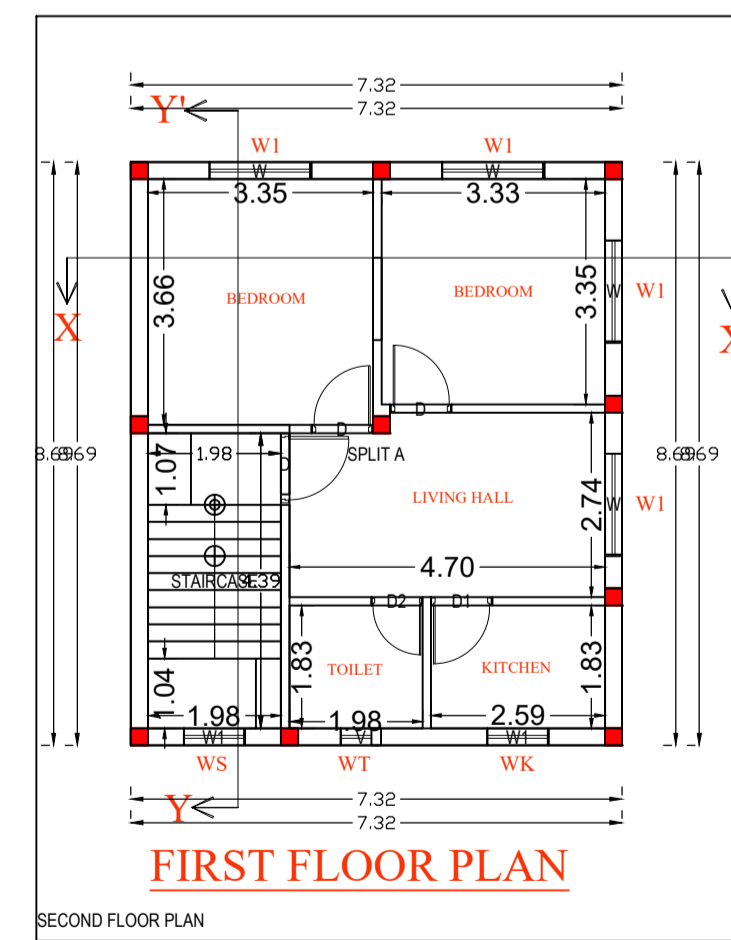
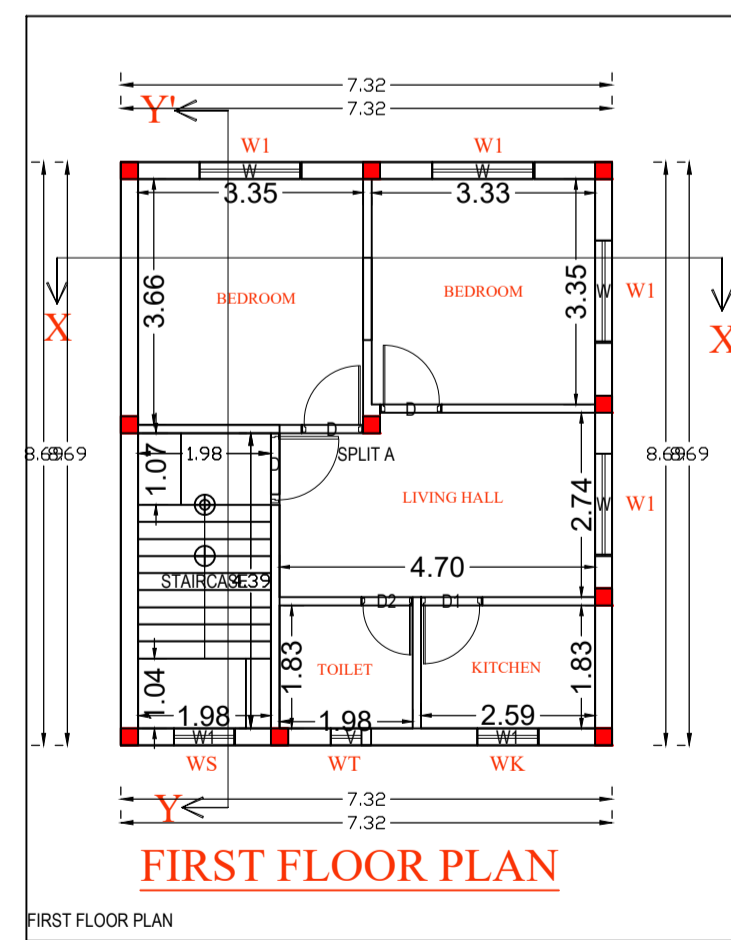
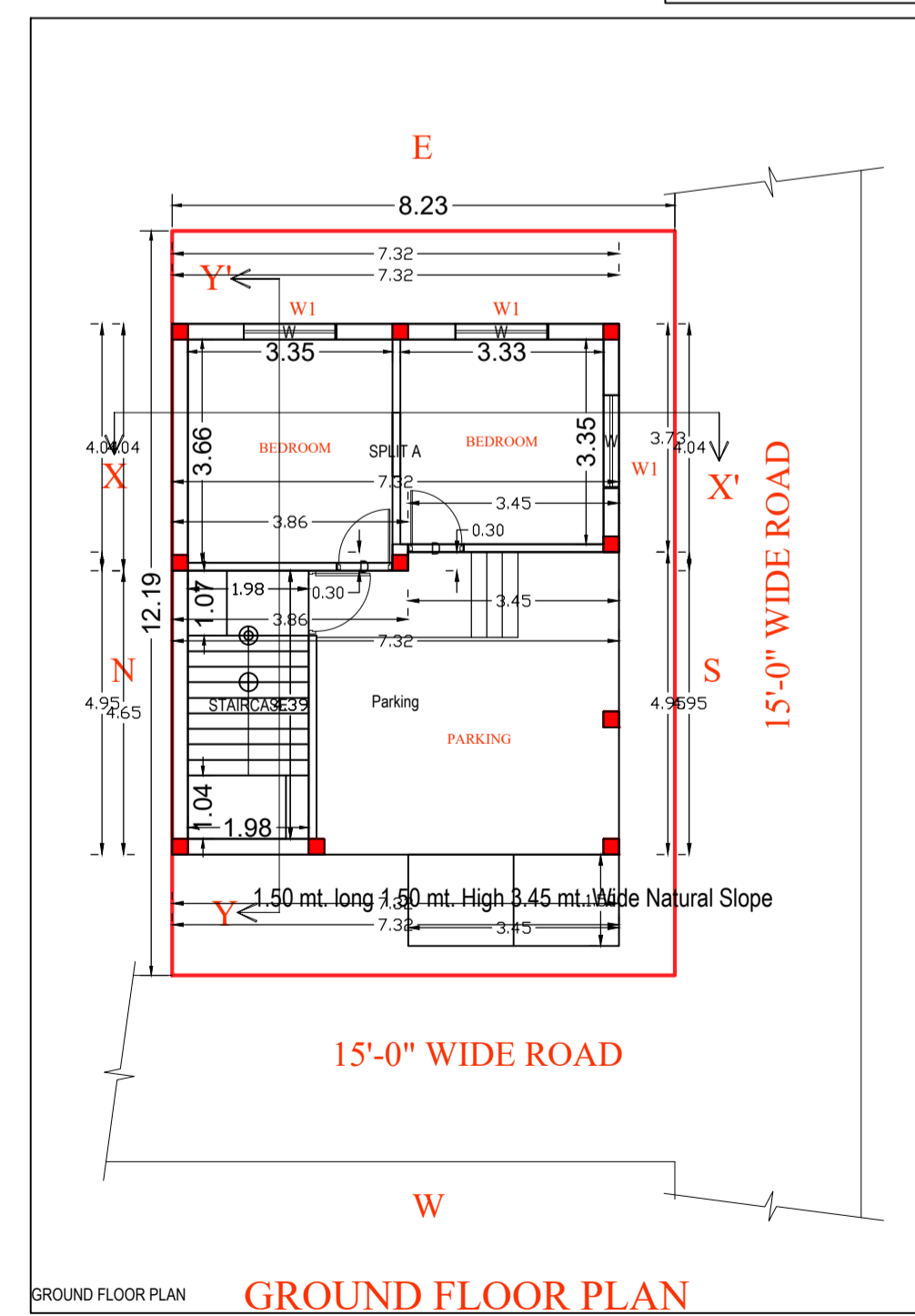
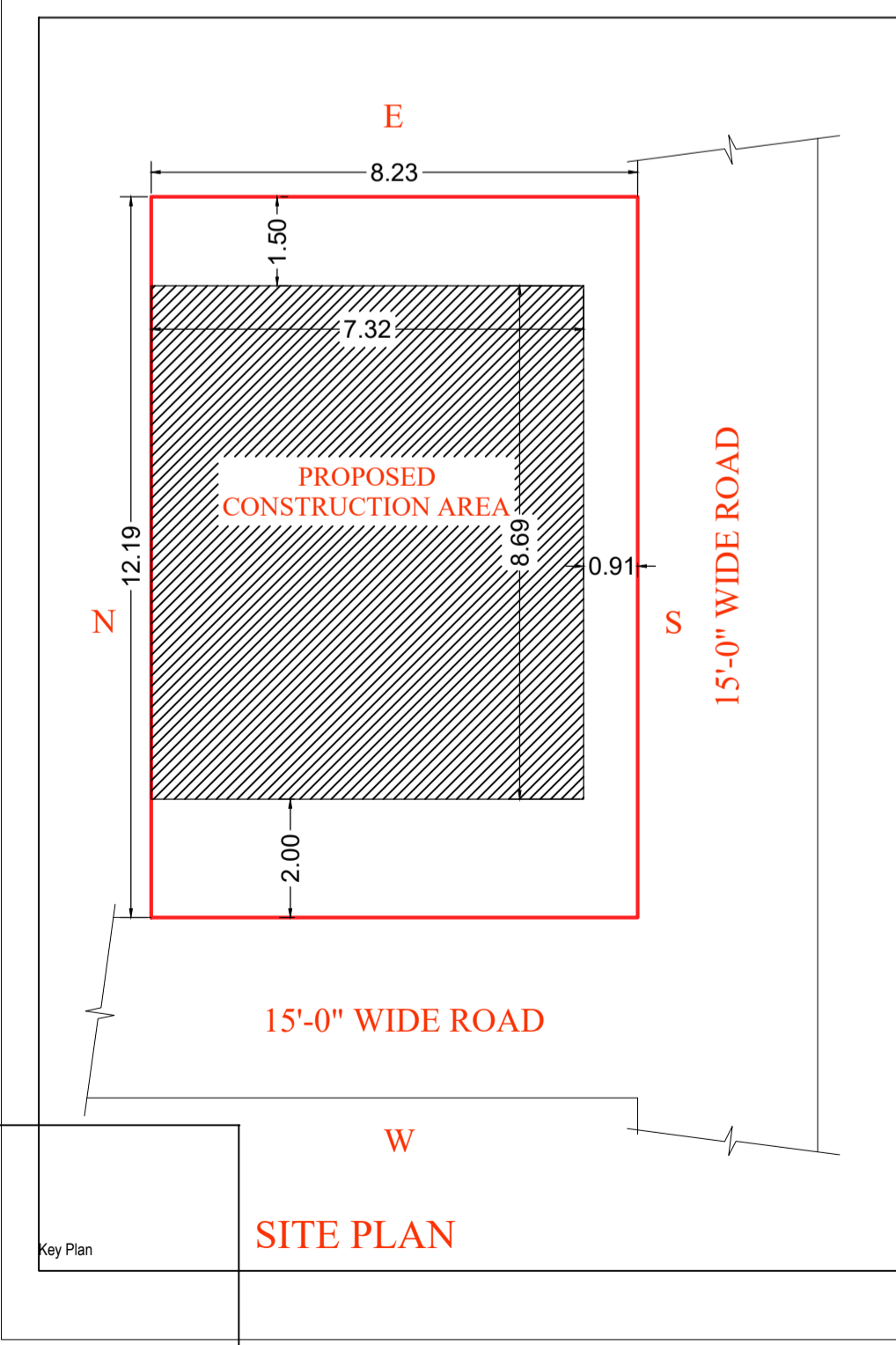
Project Title :SRI SUDHANSHU SHEKHAR BARNWAL AND SMT REKHA DEVI



SCHEDULE OF DOORS & WINDOWS

NO	SILL	LINTEL	SIZE	NO	SILL	LINTEL	SIZE
D1	-	2150	1050X2150	W1	900	2150	1525X1250
D2	-	2150	975X2150	W2	900	2150	1250X1250
D2	-	2150	750X2150	W3	900	2150	900X1250
				WK	1250	2150	900X900
				WT	1525	2150	350X600

- SPECIFICATION**
- ALL DIMENSIONS ARE IN METERS UNLESS IT IS MENTIONED
 - ALL EXTERNAL BRICK WALLS ARE 250 MM THICK AND INTERNAL 125 MM THICK UNLESS IT IS MENTIONED
 - ALL BRICKWORK PLASTERING INSIDE OR OUTSIDE ARE IN THE RATIO OF 1:6:1:4 RESPECTIVELY AND OUTSIDE PLASTERING CONTAINS WATER PROOFING
 - ALL CIVIL WORKS ARE AS PER IS 456 AND ALL REINFORCEMENT AS PER IS 1176
 - ALL R.C.C. WORKS ARE IN THE RATIO 1:2:4
 - ALL PRECAUTIONARY MEASURES SHALL BE TAKEN AT THE TIME OF CONSTRUCTION OF SEMI UNDERGROUND
 - DEPTH OF WATER RESERVOIR SHALL NOT BE MORE THAN THE DEPTH OF MAIN COLUMN FOUNDATION



CLIENT-
SRI SUDHANSHU SHEKHAR BARNWAL AND SMT REKHA DEVI
C/O SRI GANGADHAR PRASAD BARNWAL

TITLE-
GROUND FLOOR PLAN, FIRST FLOOR PLAN, SECOND FLOOR PLAN, ROOF PLAN, SECTIONS, ELEVATIONS, SITE PLAN & DETAILS.

PROJECT-
PROPOSED G+2 STORED RESIDENTIAL BUILDING AT BARMASIA, DEOGHAR, JHARKHAND

DATE 02.03.23 **WARD NO.** - 32 **MOUJA NO.** - 413
DRAWN RAVI **PLOT NO.** - 34 PART **JOB NO.** - 54/3217

ARCHITECTS
Ar. AMIT KUMAR
A. K. ARCHITECTS
SAVITRI COMPLEX, STATION ROAD
DEOGHAR-814112

SIGNATURE OF OWNER

SIGNATURE OF ARCHITECT