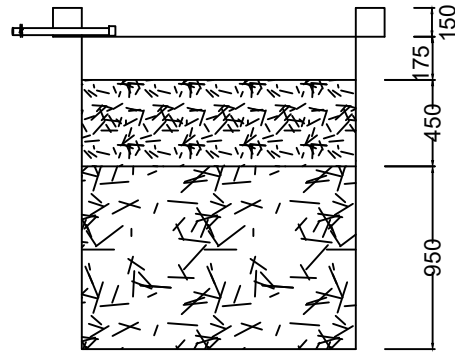
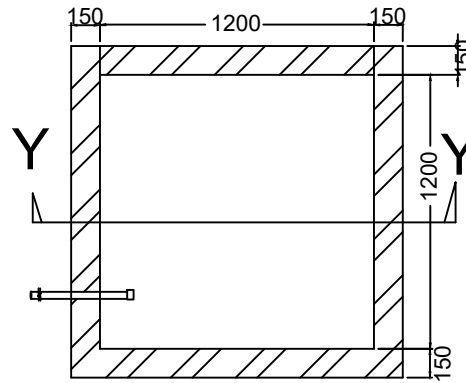


PLAN OF SEPTIC TANK

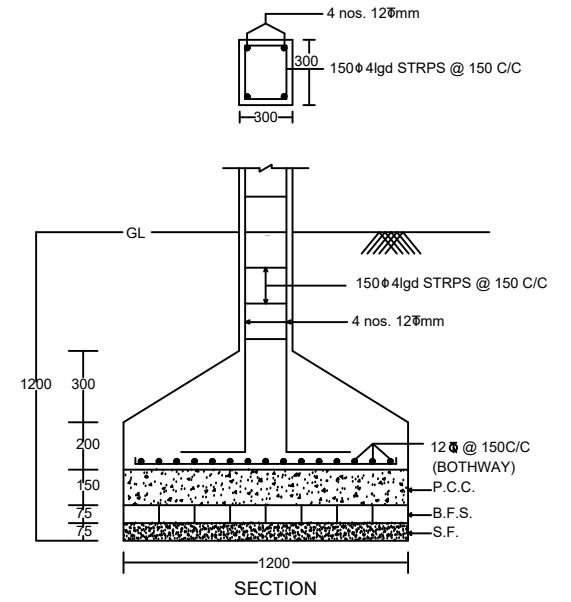


SECTION AT Y-Y

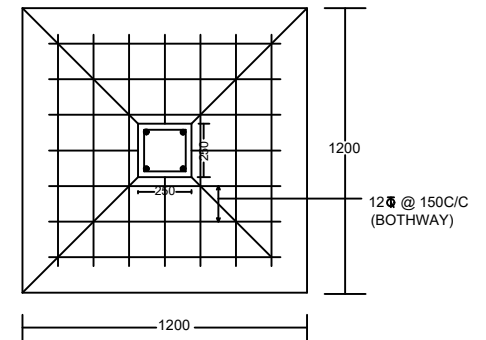


PLAN OF RECHARGE WELL

WATER HARVESTING



SECTION



PLAN

DETAIL OF COLUMNS