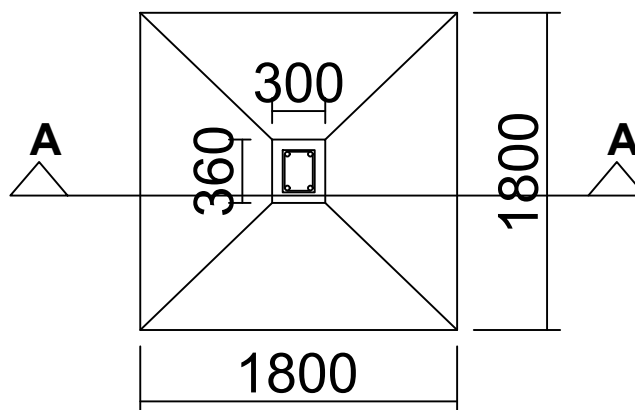


SECTION A-A



DETAIL OF FOUNDATION