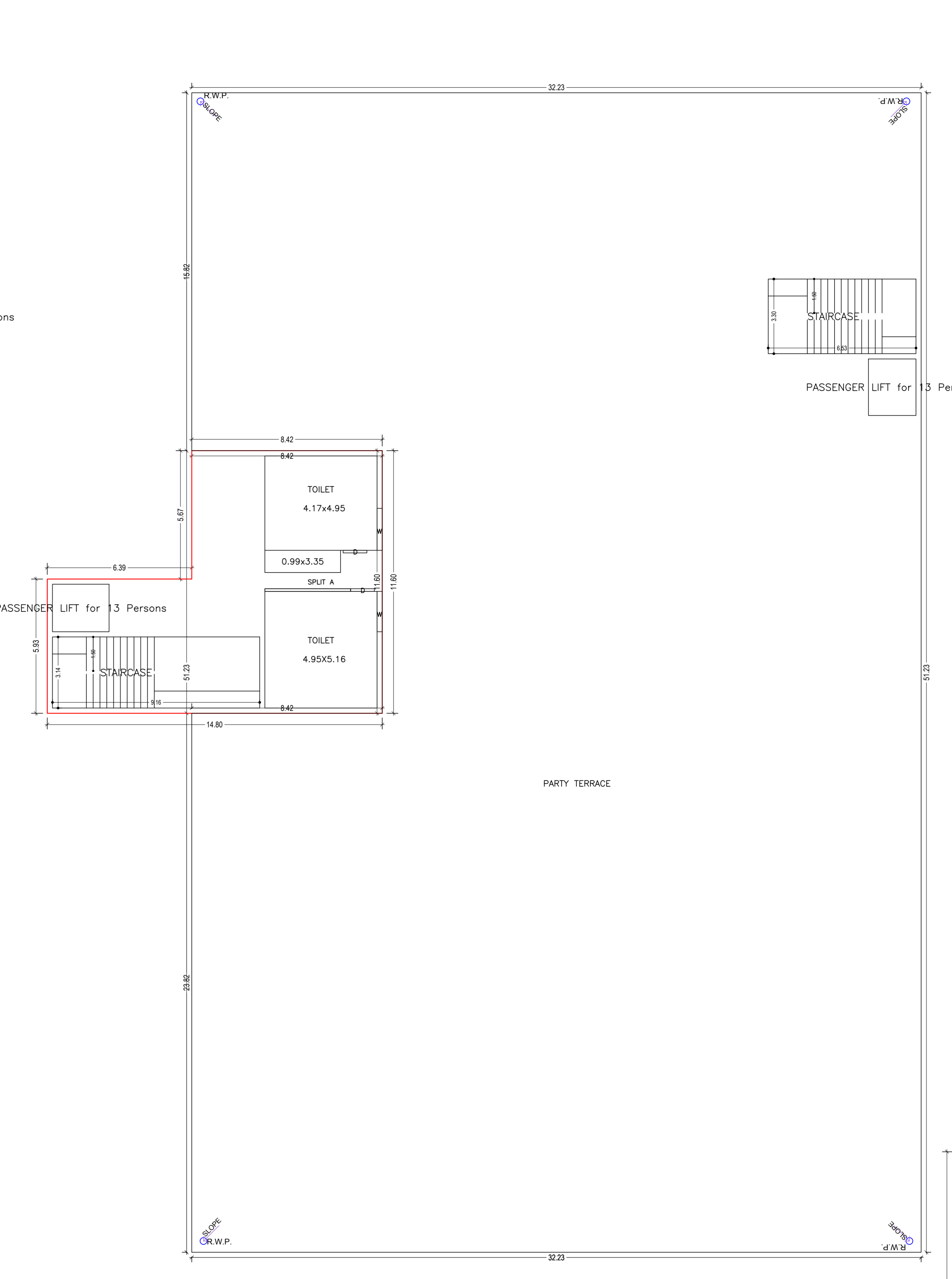
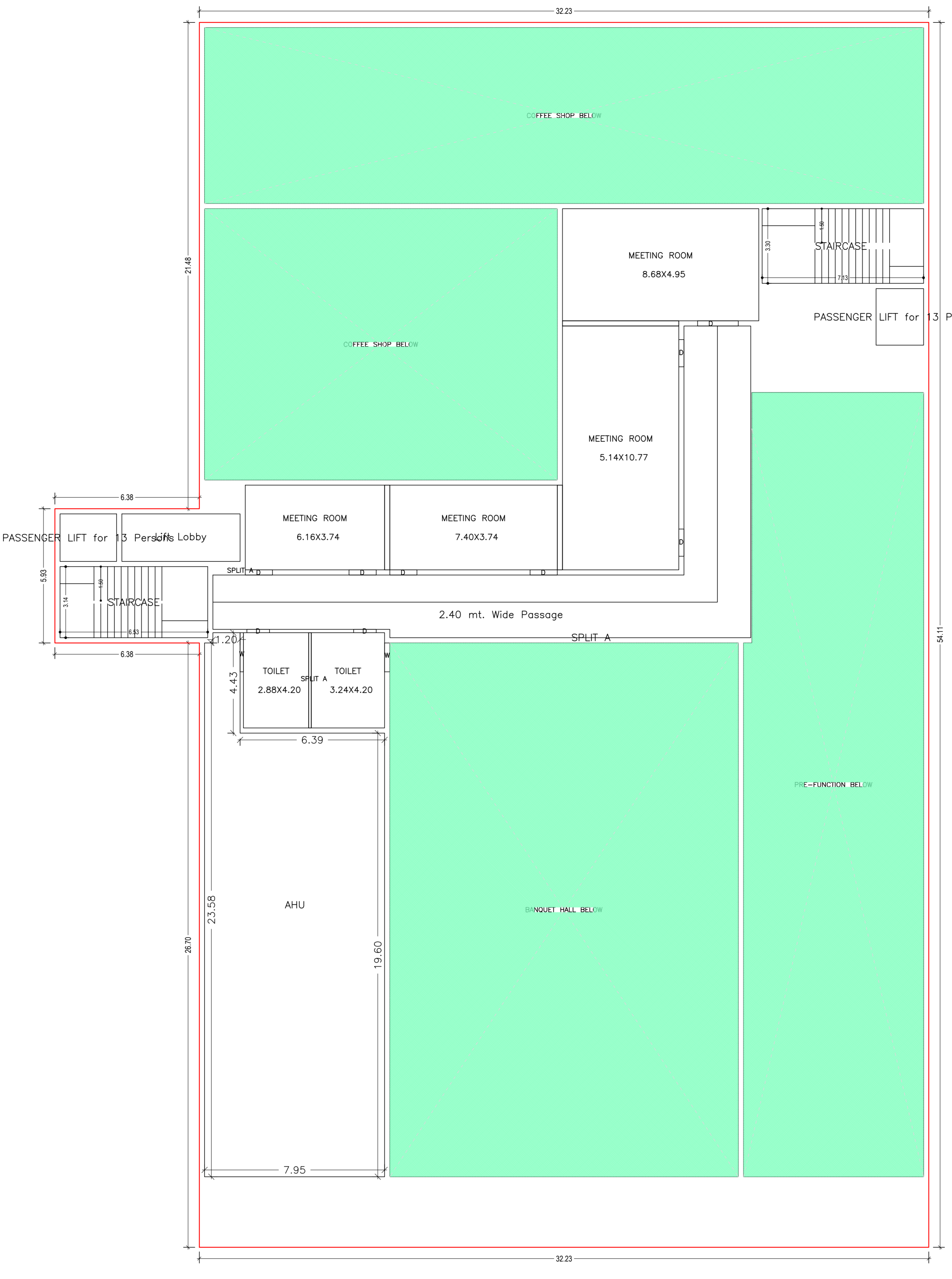
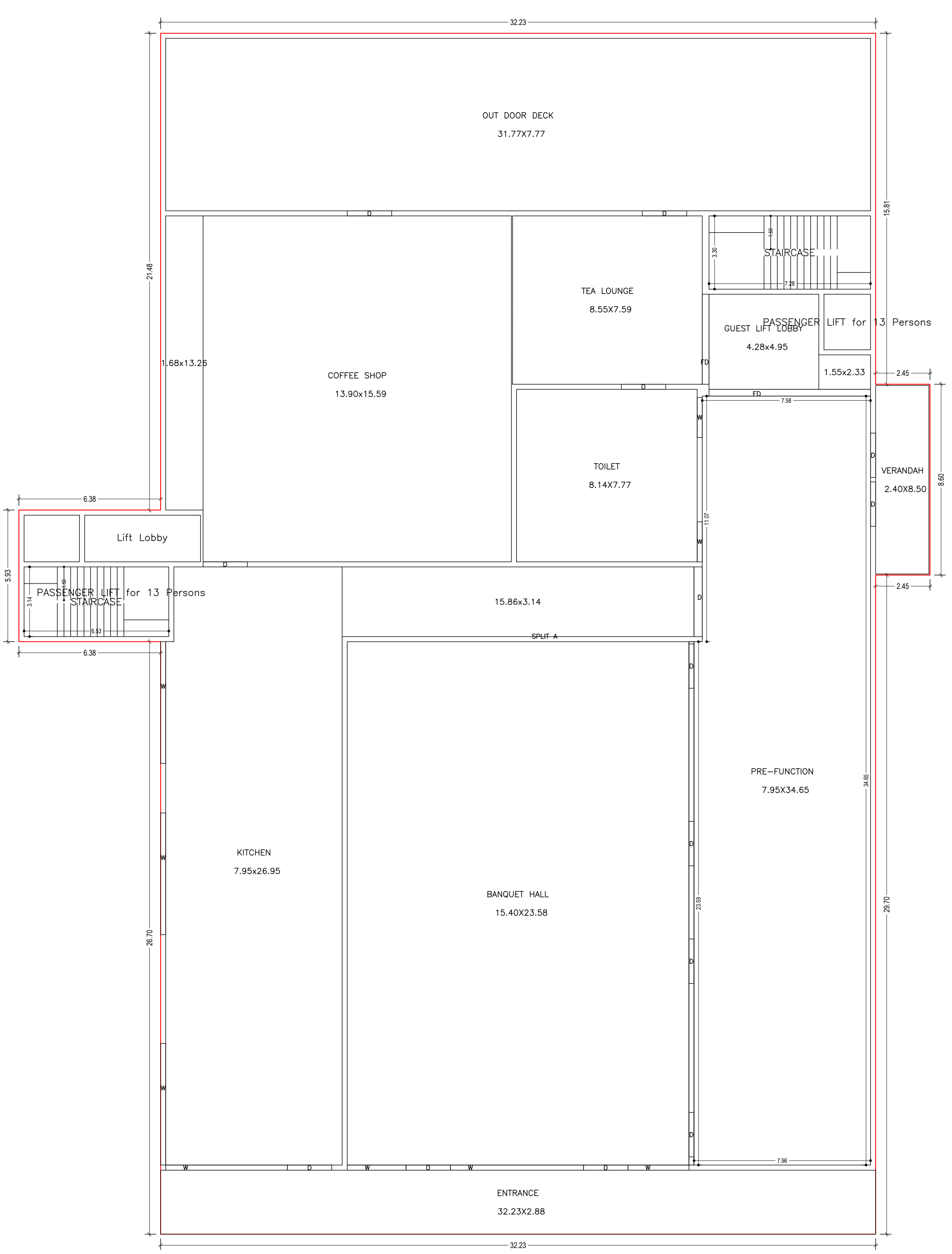






Proposal Basic Information	
Proposal No.	RZBP000021
Owner Name	SRI SURJEET SINGH
Plot No.	21
Plot No.	NB, 103, 104, 102
Village Name	D.A.
Use	Residential
Subzone	ResComm-Bsq

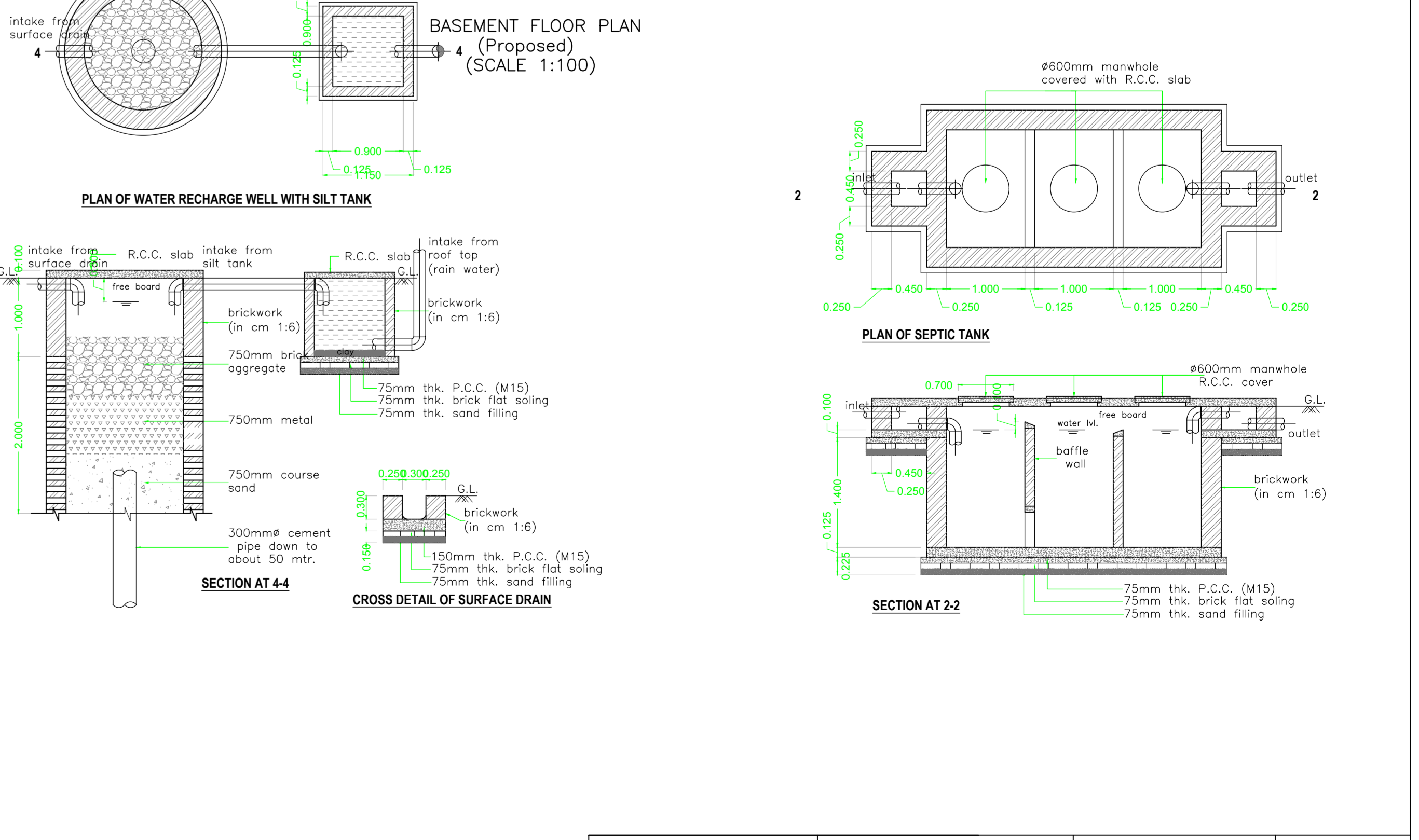
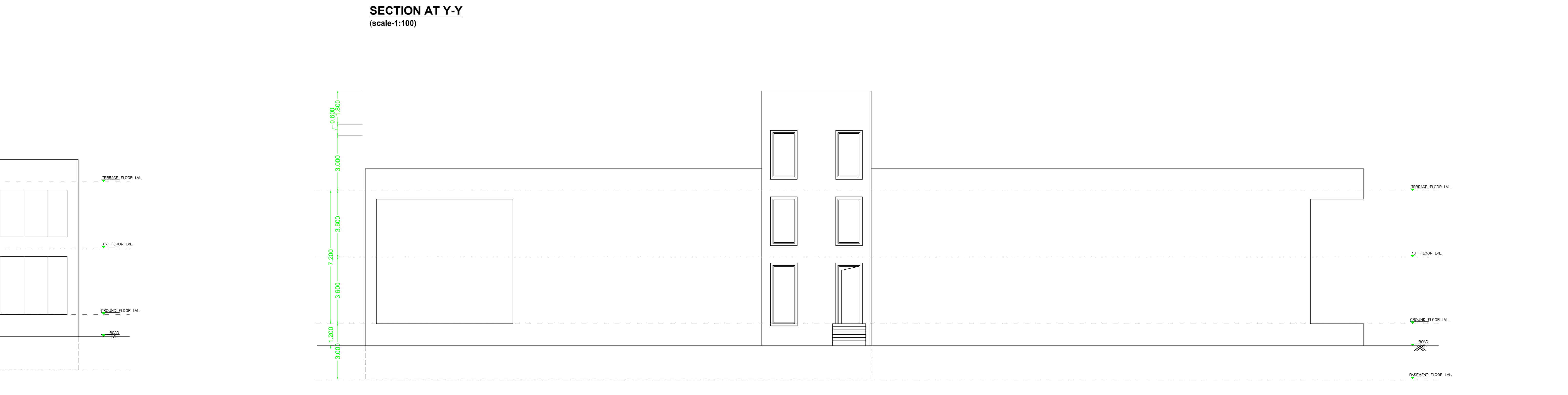
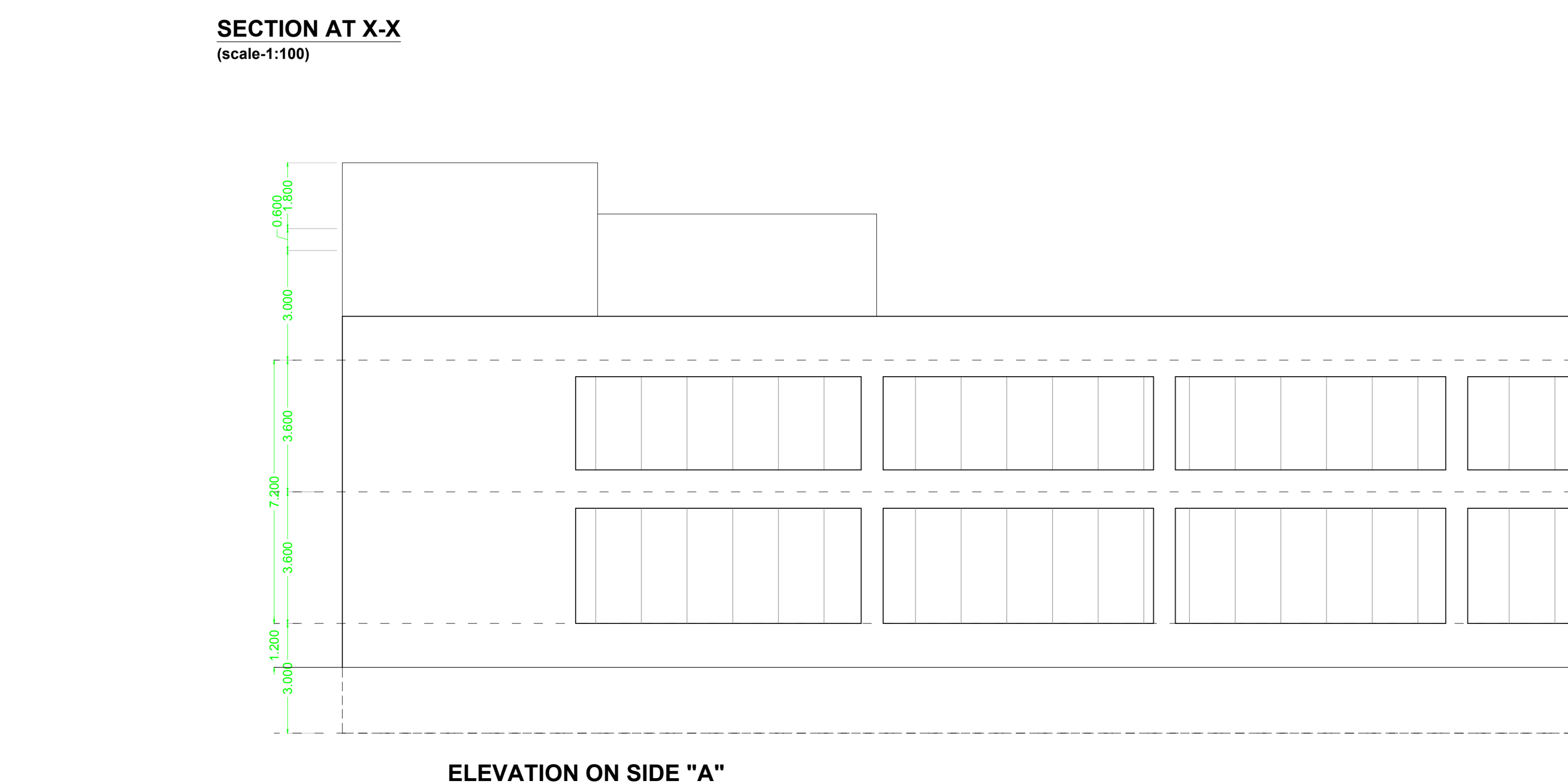
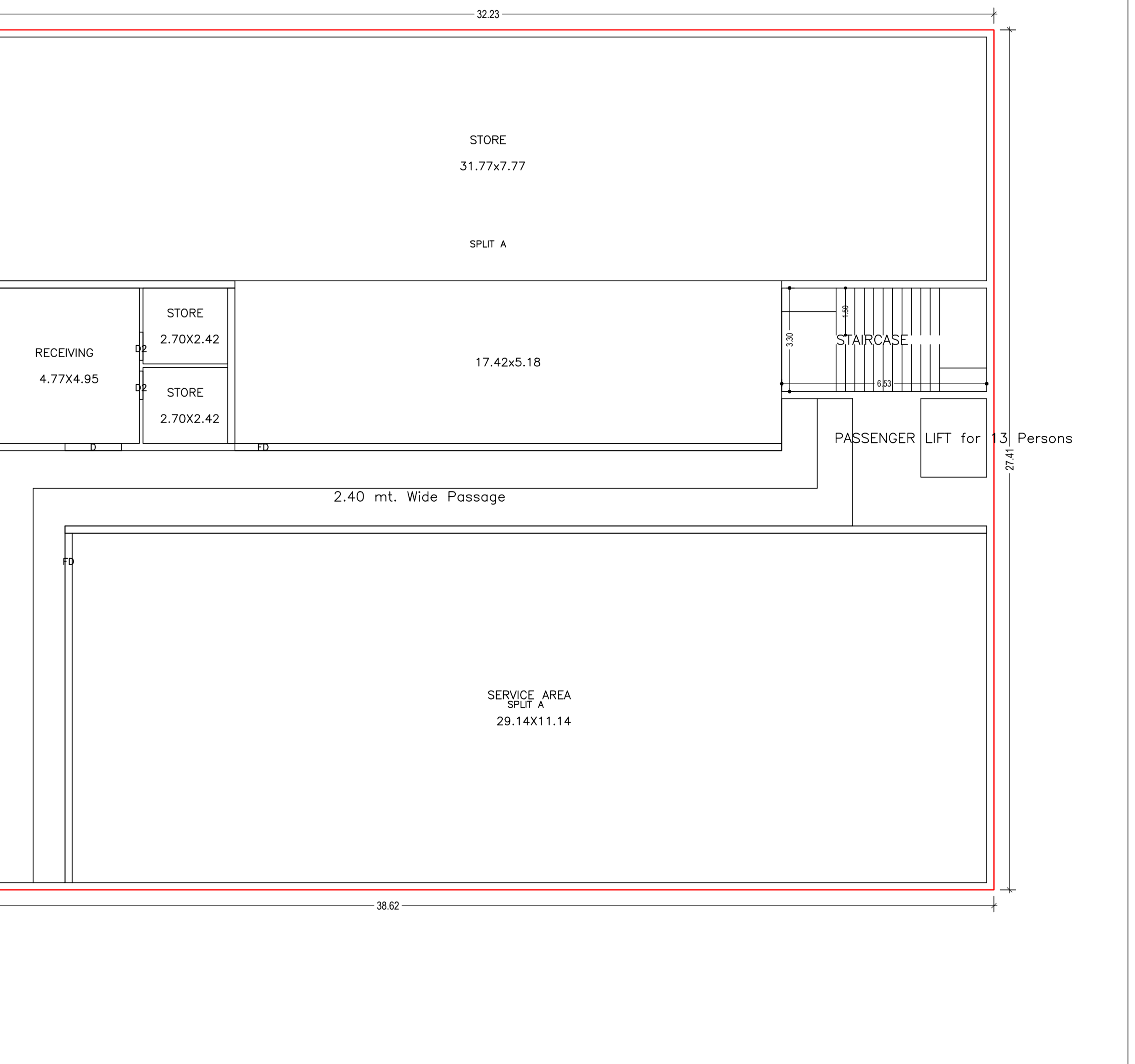
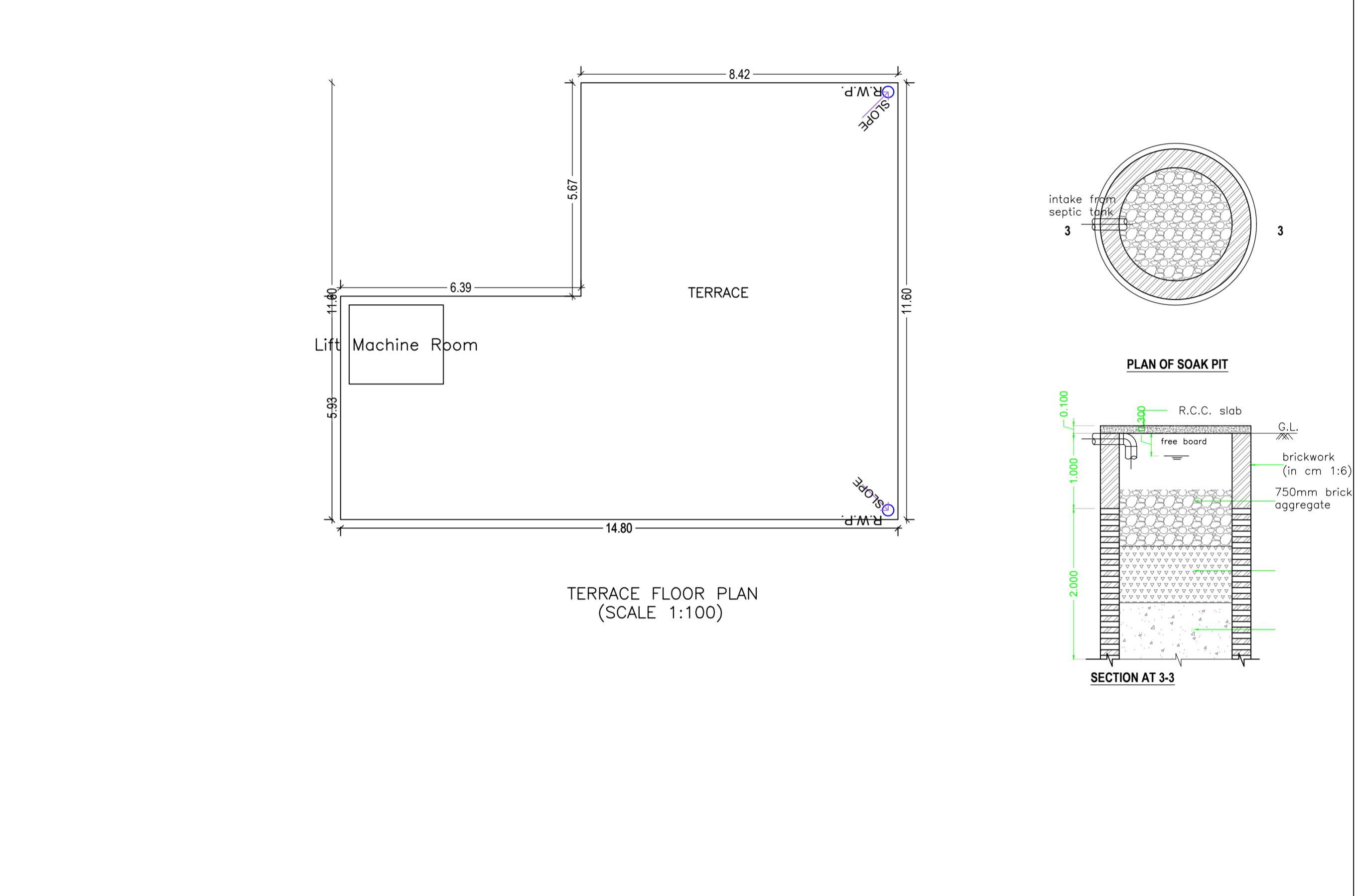
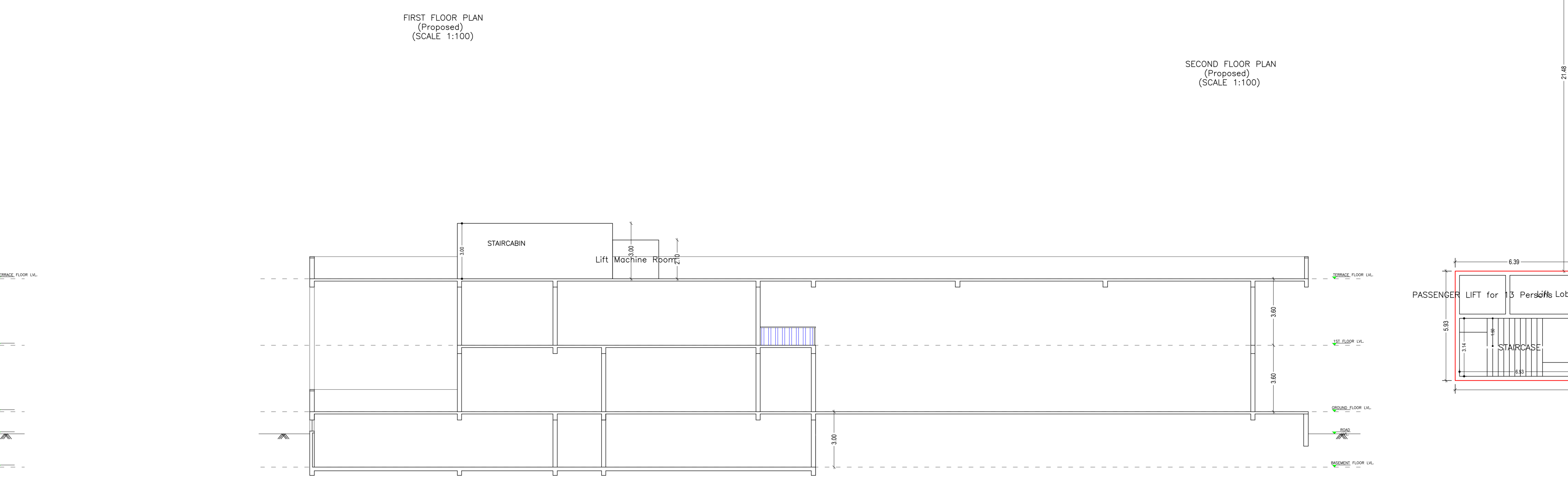
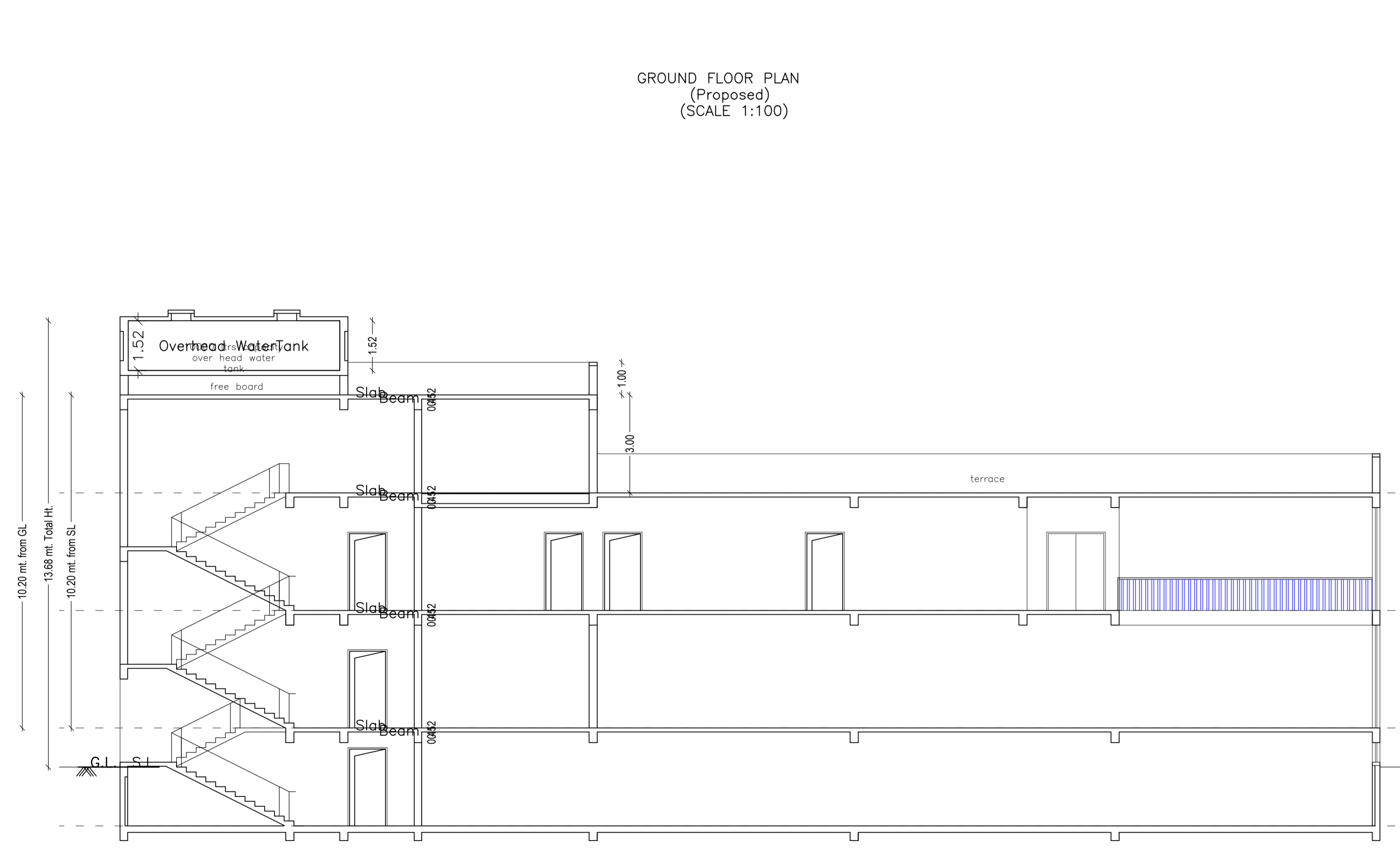


**Building -A (BANQUET)**

Floor Name	Use/Build Area (Sq.Mt)	Debitable Area (Sq.Mt)	Passive Area (Sq.Mt)	Asst Area (Sq.Mt)	Total Area (Sq.Mt)	Total Covered Area (Sq.Mt)
Basement	102.41	10.90	0.00	0.00	0.00	0.00
Ground Floor	180.04	8.90	0.00	0.00	188.94	188.94
First Floor	170.08	10.90	0.00	0.00	180.98	180.98
Second Floor	142.28	10.90	0.00	0.00	153.18	153.18
Roof Deck	0.00	0.00	0.00	0.00	0.00	0.00
<b>Total</b>	<b>494.71</b>	<b>21.70</b>	<b>0.00</b>	<b>0.00</b>	<b>516.41</b>	<b>516.41</b>

**SCHEDULE OF WINDOW/VENTILATION:**

Window Name	NAME	LENGTH	HEIGHT	NOS
K.BANQUET.1	W	1.50	1.10	01
K.BANQUET.2	W	1.50	1.10	01
K.BANQUET.3	W	1.50	1.10	01
K.BANQUET.4	W	1.50	1.10	01
K.BANQUET.5	W	1.50	1.10	01
K.BANQUET.6	W	1.50	1.10	01
K.BANQUET.7	W	1.50	1.10	01
K.BANQUET.8	W	1.50	1.10	01
K.BANQUET.9	W	1.50	1.10	01
K.BANQUET.10	W	1.50	1.10	01
K.BANQUET.11	W	1.50	1.10	01
K.BANQUET.12	W	1.50	1.10	01
K.BANQUET.13	W	1.50	1.10	01
K.BANQUET.14	W	1.50	1.10	01
K.BANQUET.15	W	1.50	1.10	01
K.BANQUET.16	W	1.50	1.10	01
K.BANQUET.17	W	1.50	1.10	01
K.BANQUET.18	W	1.50	1.10	01
K.BANQUET.19	W	1.50	1.10	01
K.BANQUET.20	W	1.50	1.10	01
K.BANQUET.21	W	1.50	1.10	01
K.BANQUET.22	W	1.50	1.10	01
K.BANQUET.23	W	1.50	1.10	01
K.BANQUET.24	W	1.50	1.10	01
K.BANQUET.25	W	1.50	1.10	01
K.BANQUET.26	W	1.50	1.10	01
K.BANQUET.27	W	1.50	1.10	01
K.BANQUET.28	W	1.50	1.10	01
K.BANQUET.29	W	1.50	1.10	01
K.BANQUET.30	W	1.50	1.10	01
K.BANQUET.31	W	1.50	1.10	01
K.BANQUET.32	W	1.50	1.10	01
K.BANQUET.33	W	1.50	1.10	01
K.BANQUET.34	W	1.50	1.10	01
K.BANQUET.35	W	1.50	1.10	01
K.BANQUET.36	W	1.50	1.10	01
K.BANQUET.37	W	1.50	1.10	01
K.BANQUET.38	W	1.50	1.10	01
K.BANQUET.39	W	1.50	1.10	01
K.BANQUET.40	W	1.50	1.10	01
K.BANQUET.41	W	1.50	1.10	01
K.BANQUET.42	W	1.50	1.10	01
K.BANQUET.43	W	1.50	1.10	01
K.BANQUET.44	W	1.50	1.10	01
K.BANQUET.45	W	1.50	1.10	01
K.BANQUET.46	W	1.50	1.10	01
K.BANQUET.47	W	1.50	1.10	01
K.BANQUET.48	W	1.50	1.10	01
K.BANQUET.49	W	1.50	1.10	01
K.BANQUET.50	W	1.50	1.10	01
K.BANQUET.51	W	1.50	1.10	01
K.BANQUET.52	W	1.50	1.10	01
K.BANQUET.53	W	1.50	1.10	01
K.BANQUET.54	W	1.50	1.10	01
K.BANQUET.55	W	1.50	1.10	01
K.BANQUET.56	W	1.50	1.10	01
K.BANQUET.57	W	1.50	1.10	01
K.BANQUET.58	W	1.50	1.10	01
K.BANQUET.59	W	1.50	1.10	01
K.BANQUET.60	W	1.50	1.10	01
K.BANQUET.61	W	1.50	1.10	01
K.BANQUET.62	W	1.50	1.10	01
K.BANQUET.63	W	1.50	1.10	01
K.BANQUET.64	W	1.50	1.10	01
K.BANQUET.65	W	1.50	1.10	01
K.BANQUET.66	W	1.50	1.10	01
K.BANQUET.67	W	1.50	1.10	01
K.BANQUET.68	W	1.50	1.10	01
K.BANQUET.69	W	1.50	1.10	01
K.BANQUET.70	W	1.50	1.10	01
K.BANQUET.71	W	1.50	1.10	01
K.BANQUET.72	W	1.50	1.10	01
K.BANQUET.73	W	1.50	1.10	01
K.BANQUET.74	W	1.50	1.10	01
K.BANQUET.75	W	1.50	1.10	01
K.BANQUET.76	W	1.50	1.10	01
K.BANQUET.77	W	1.50	1.10	01
K.BANQUET.78	W	1.50	1.10	01
K.BANQUET.79	W	1.50	1.10	01
K.BANQUET.80	W	1.50	1.10	01
K.BANQUET.81	W	1.50	1.10	01
K.BANQUET.82	W	1.50	1.10	01
K.BANQUET.83	W	1.50	1.10	01
K.BANQUET.84	W	1.50	1.10	01
K.BANQUET.85	W	1.50	1.10	01
K.BANQUET.86	W	1.50	1.10	01
K.BANQUET.87	W	1.50	1.10	01
K.BANQUET.88	W	1.50	1.10	01
K.BANQUET.89	W	1.50	1.10	01
K.BANQUET.90	W	1.50	1.10	01
K.BANQUET.91	W	1.50	1.10	01
K.BANQUET.92	W	1.50	1.10	01
K.BANQUET.93	W	1.50	1.10	01
K.BANQUET.94	W	1.50	1.10	01
K.BANQUET.95	W	1.50	1.10	01
K.BANQUET.96	W	1.50	1.10	01
K.BANQUET.97	W	1.50	1.10	01
K.BANQUET.98	W	1.50	1.10	01
K.BANQUET.99	W	1.50	1.10	01
K.BANQUET.100	W	1.50	1.10	01



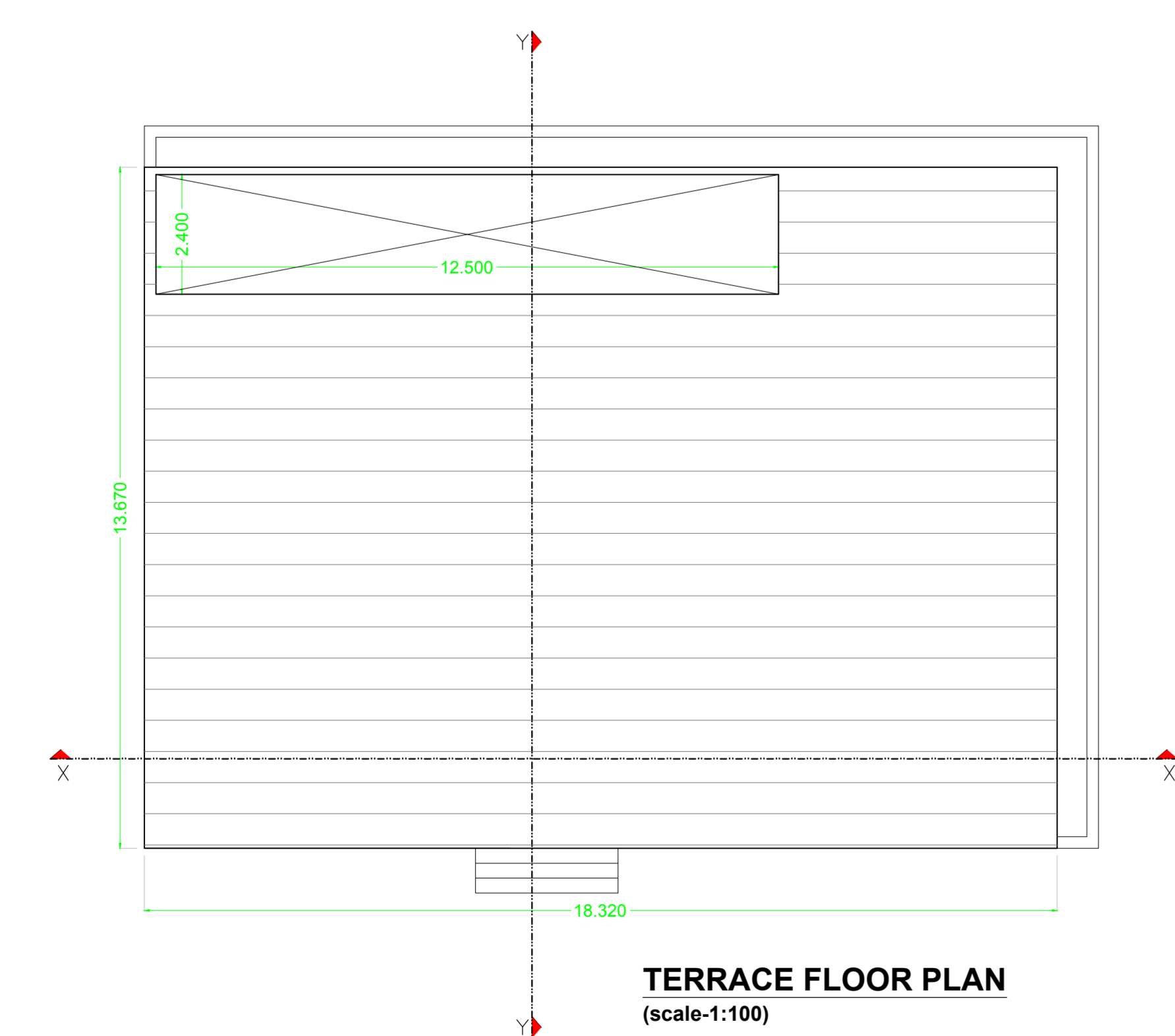
DATE	11-10-2021
PROJECT NAME AND SIGNATURE	STRUCTURAL ENGINEER NAME AND SIGNATURE
DESIGNED BY	DR. RAJESH SHARMA
CHECKED BY	RZBPENG00102021
BUILDER NAME AND SIGNATURE	DIGITAL SIGNATURE



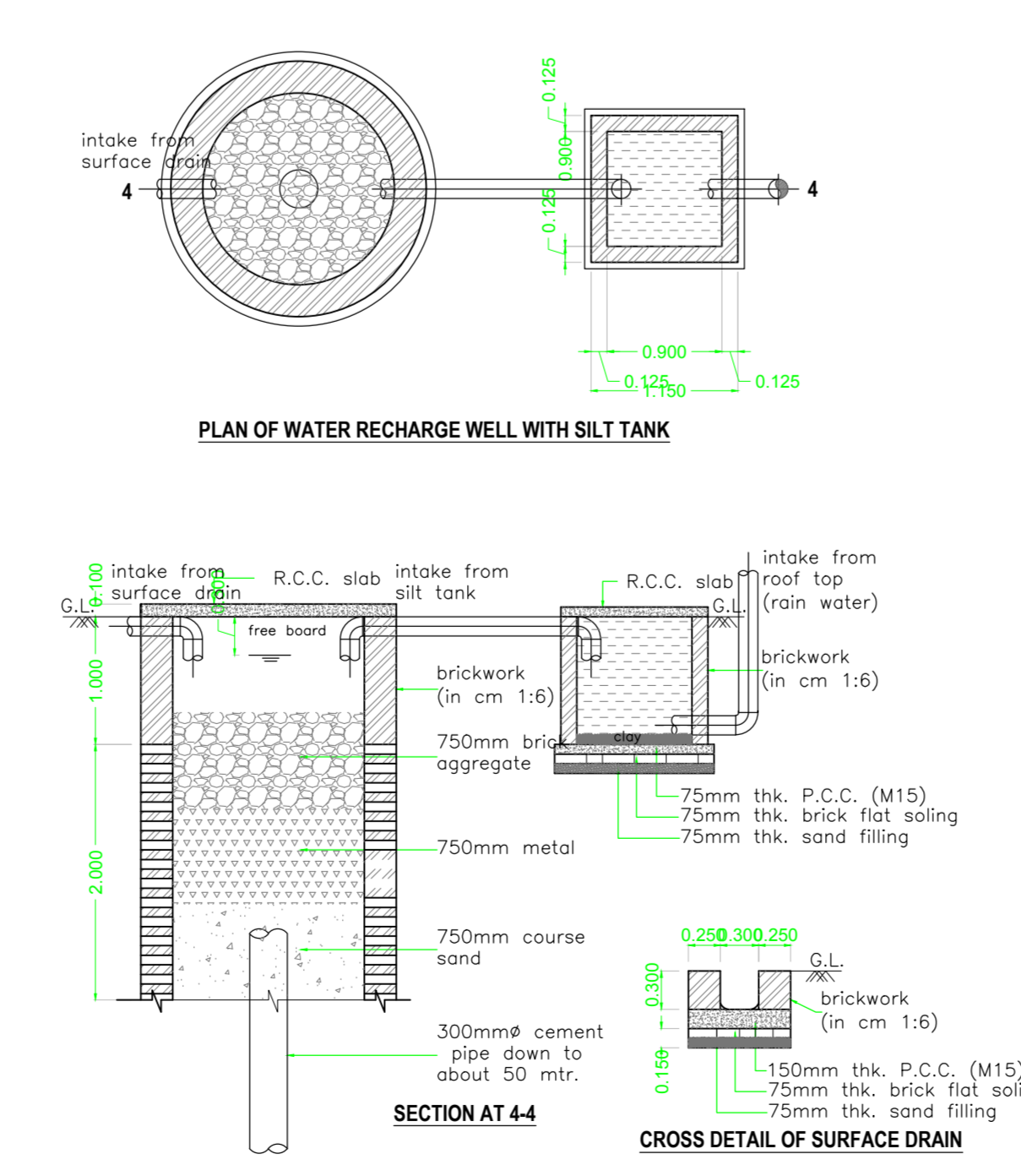
Proposed Basic Information	
Proposed File No.	RZBP0000201
Owner Name	SRI SURJEET SINGH
Plot No.	21
Plot No.	NO. 103, 104, 102
Village Name	D.A.
Use	Residential
Subzone	Res(Com-Bsq)



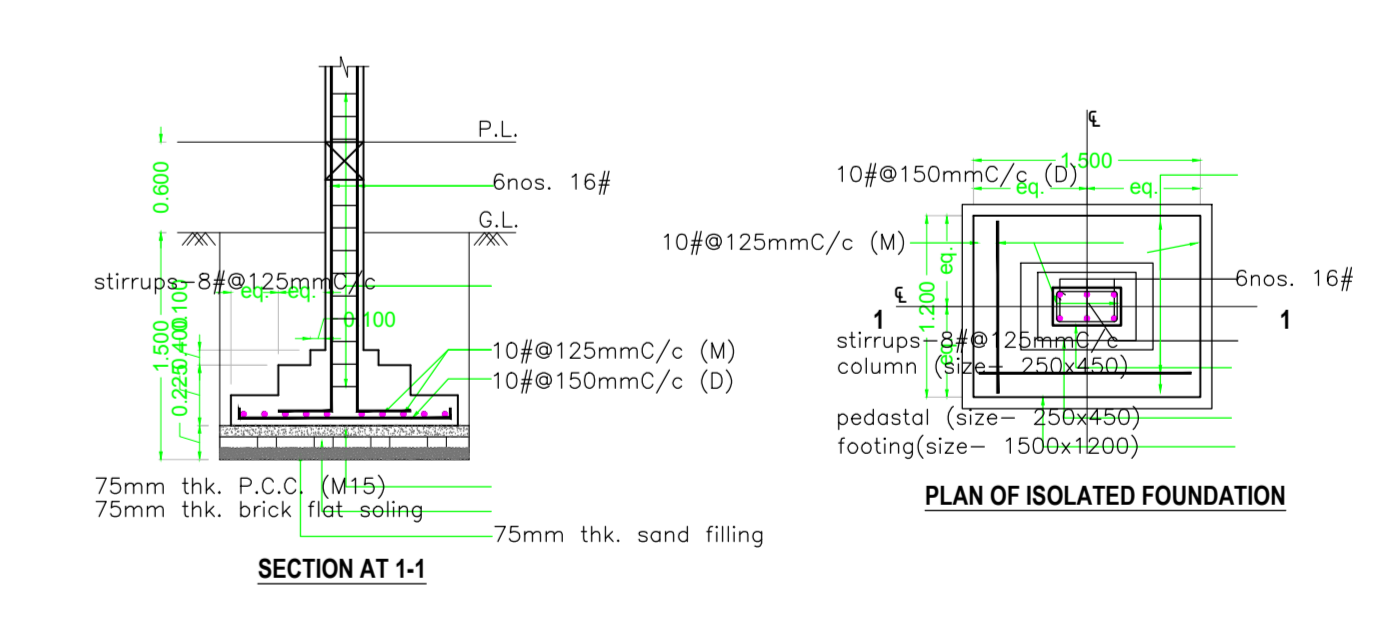
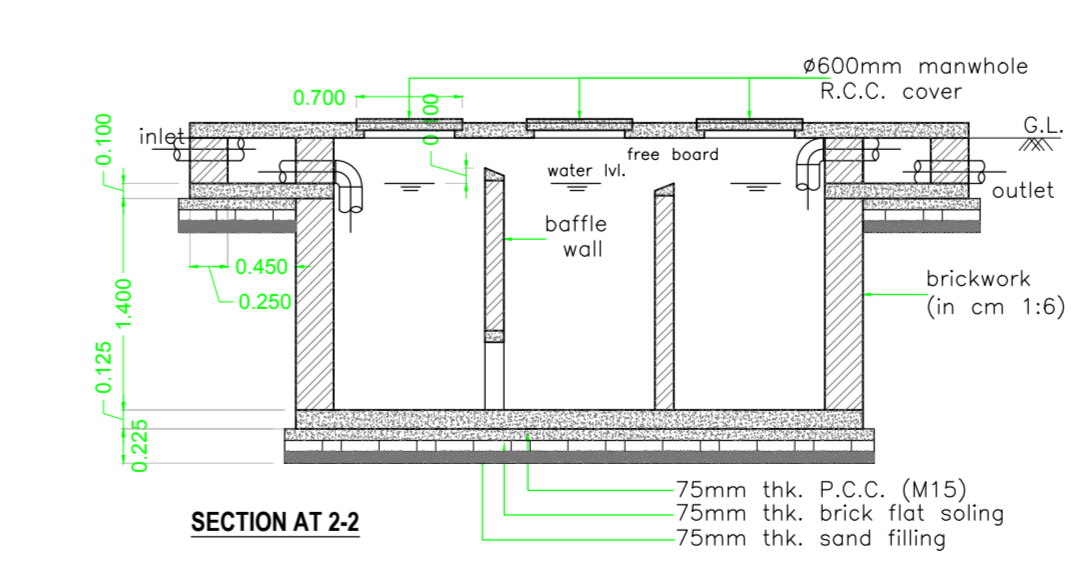
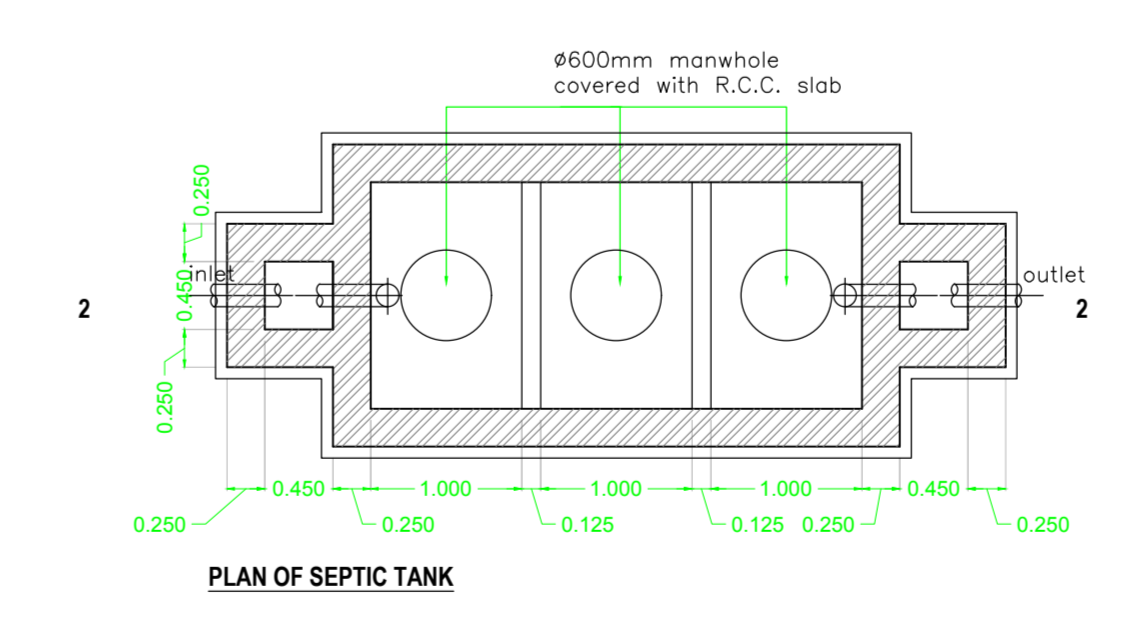
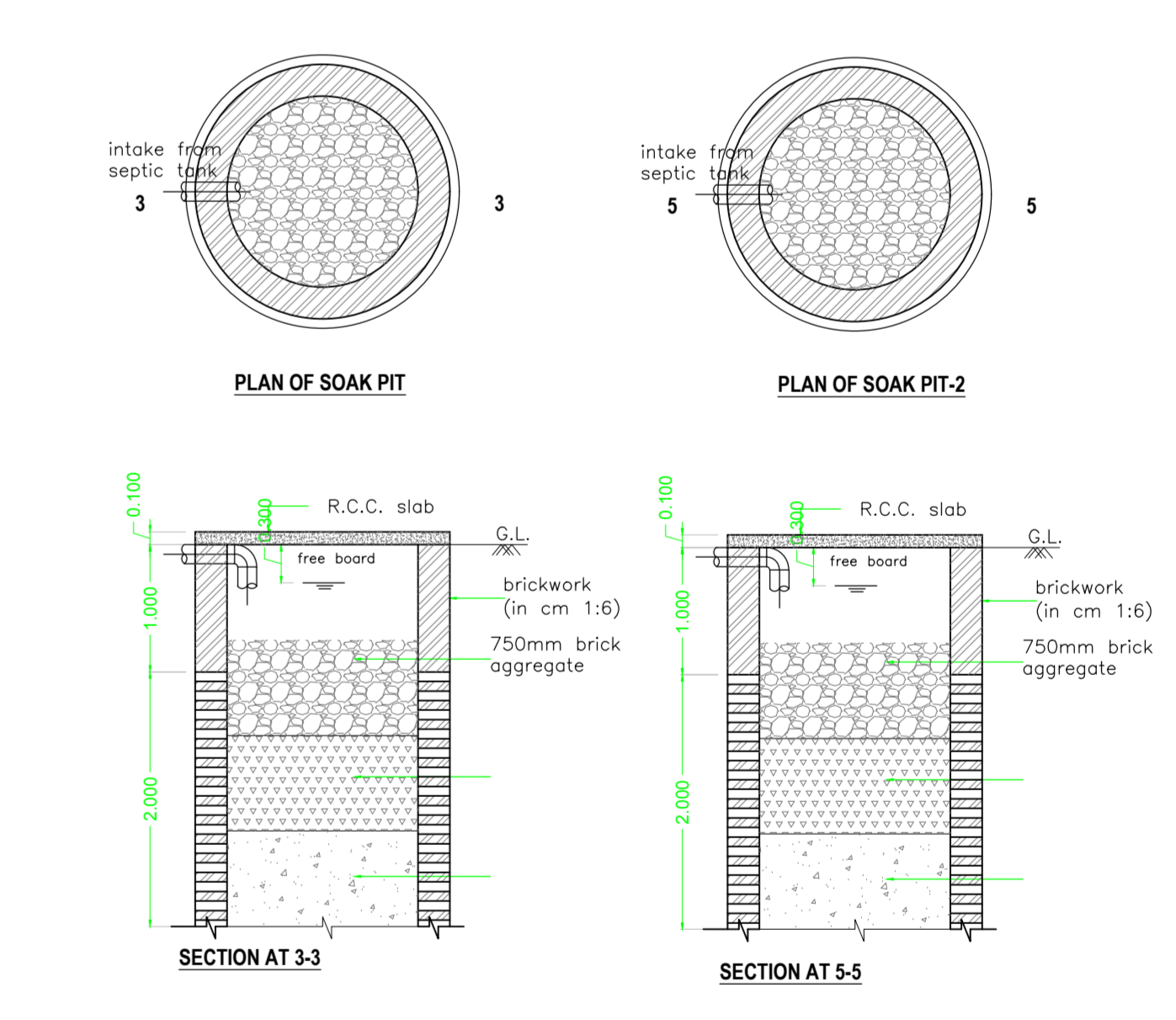
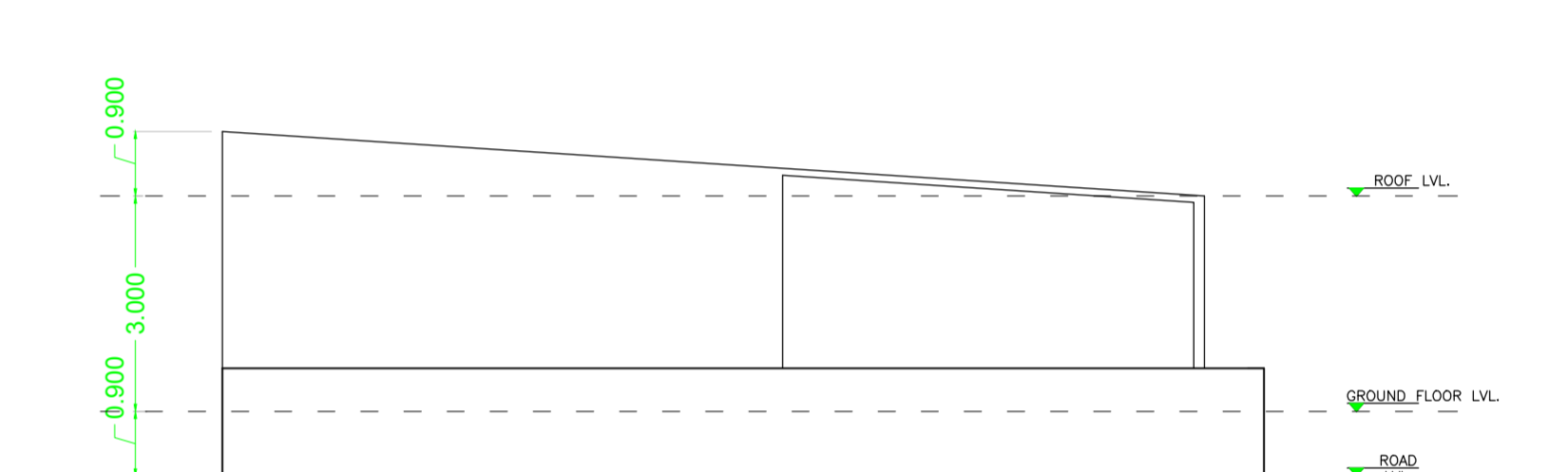
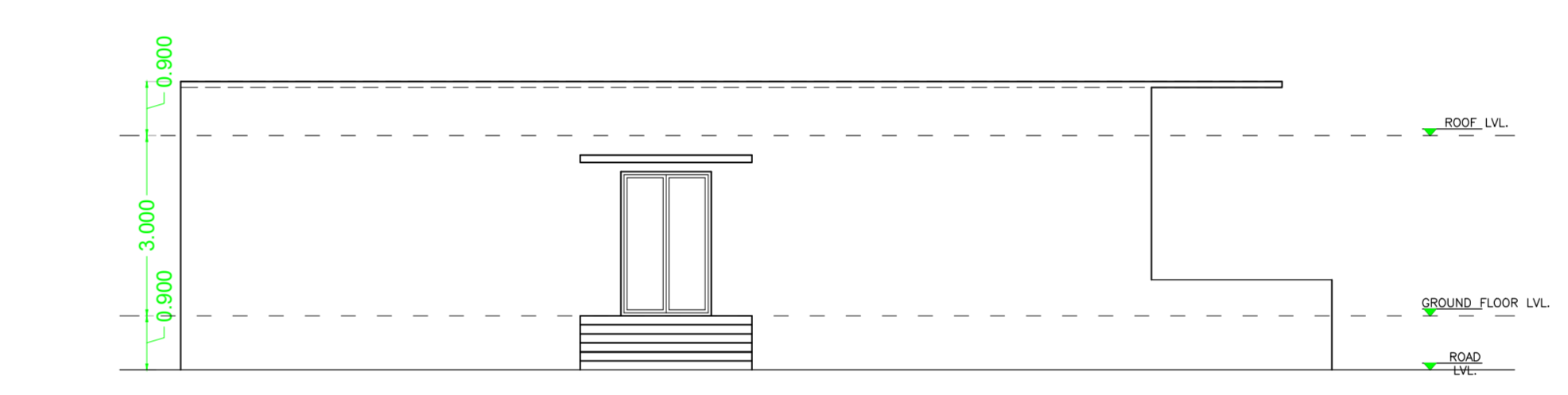
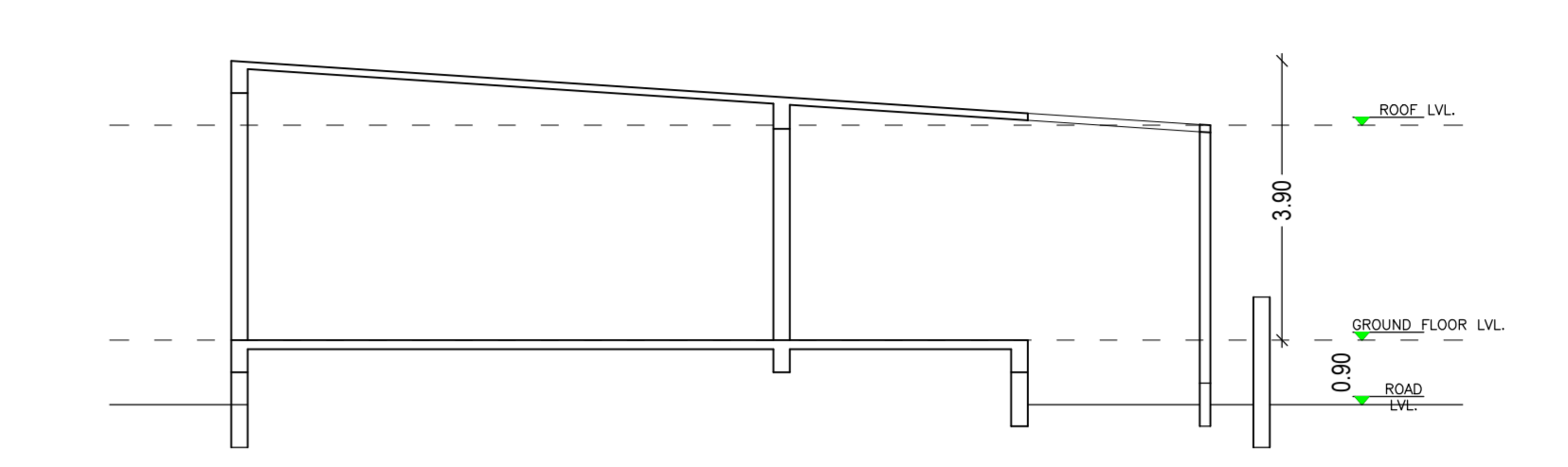
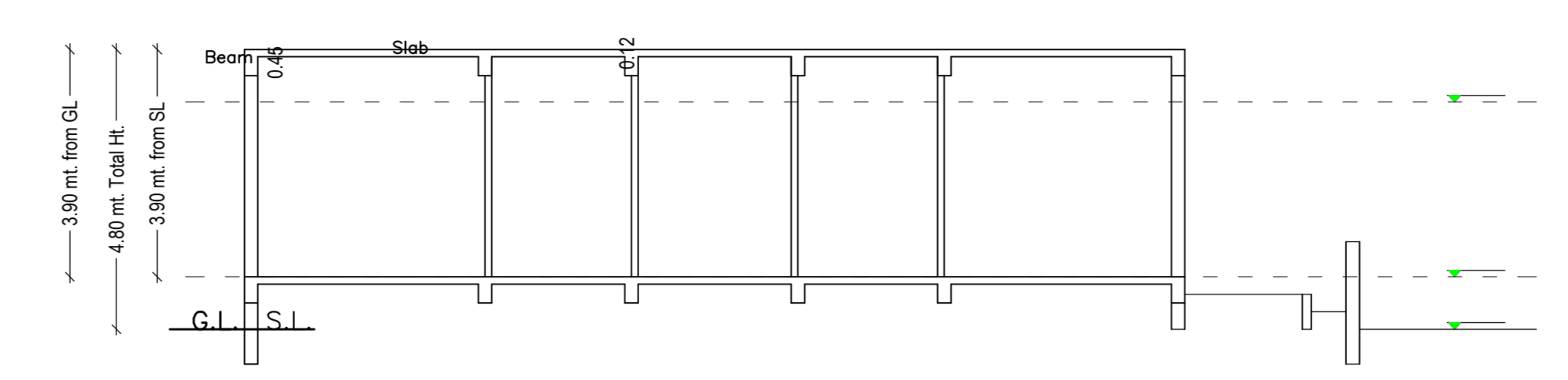
GROUND FLOOR PLAN (Proposed) (SCALE 1:100)



TERRACE FLOOR PLAN (scale-1:100)



CROSS DETAIL OF SURFACE DRAIN



Building -A (COTTAGE)

Floor Name	Grnd Bldg Area	Deck Area	Total Bldg Area (Sq.M)	Approved FAR (Sq.M)	Total FAR (Sq.M)	Covered Area (Sq.M)	Total (Sq.M)
Ground Floor	108.80	0.00	108.80	1110.00	1110.00	1110.00	0.00
Roof	0.00	0.00	0.00	1110.00	1110.00	1110.00	0.00
<b>Total</b>	<b>108.80</b>	<b>0.00</b>	<b>108.80</b>	<b>1110.00</b>	<b>1110.00</b>	<b>1110.00</b>	<b>0.00</b>

SCHEDULE OF DOORS:

Block Name	Name	Length	Height	MS
RZBP0000201	D	2.70	2.10	20
RZBP0000201	D	1.50	2.10	20
RZBP0000201	D	1.50	2.10	20

SCHEDULE OF WINDOW/VENTILATION:

Block Name	Name	Length	Height	MS
RZBP0000201	W	1.50	1.50	10
RZBP0000201	W	1.50	1.50	10
RZBP0000201	W	2.50	1.50	10
RZBP0000201	W	2.40	1.50	10
RZBP0000201	W	3.00	1.50	10

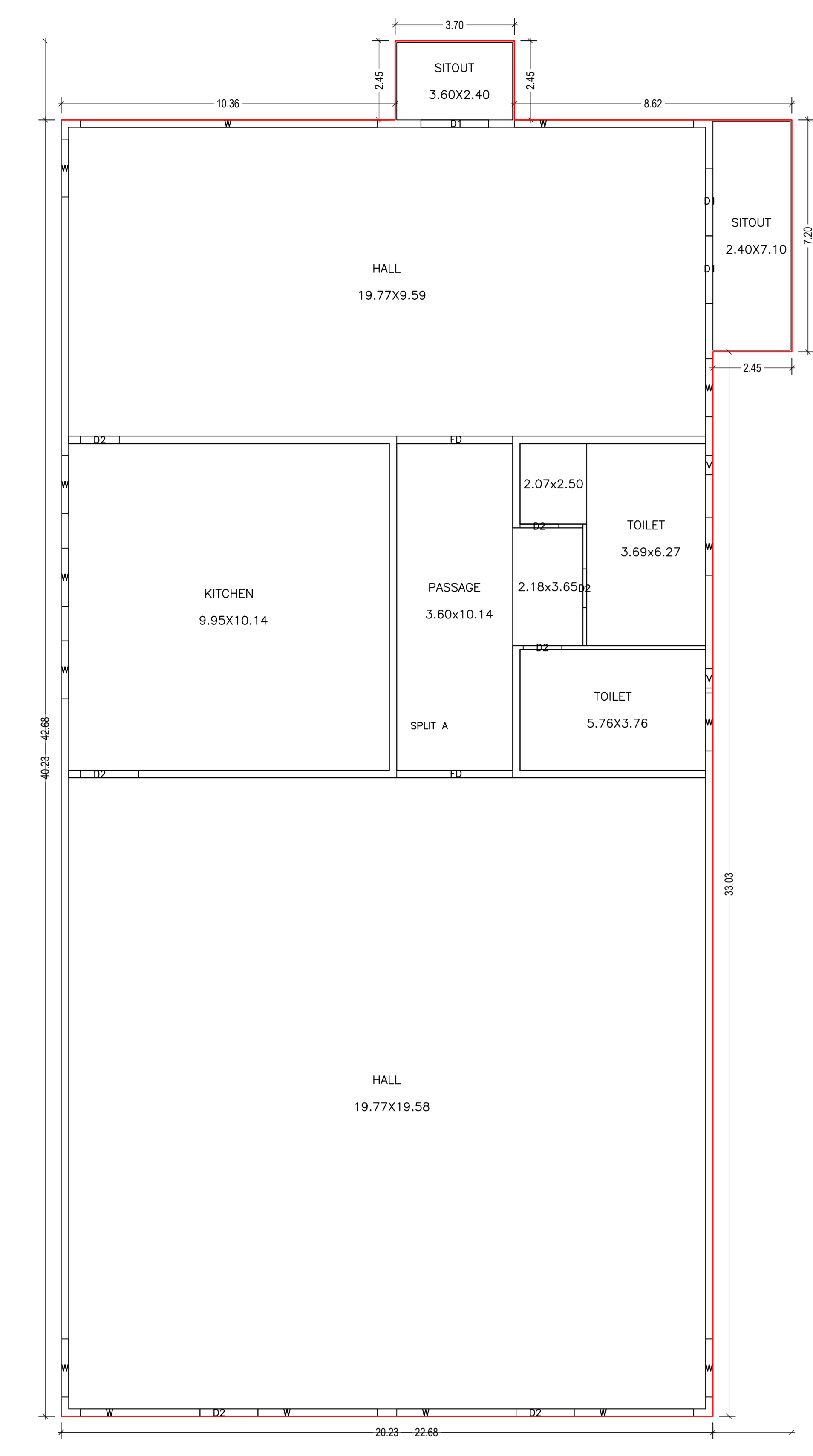
UNIBUA Table for Building 'A' (COTTAGE)

FLOOR	Name	UNIBUA Type	Unibua Area	Unibua No.	No. of Unibua
GROUND	SPJT A	FLAT	108.80	108.80	1
FLOOR-ROOF	SPJT A	FLAT	0.00	0.00	1
<b>Total</b>			<b>108.80</b>	<b>108.80</b>	<b>2</b>

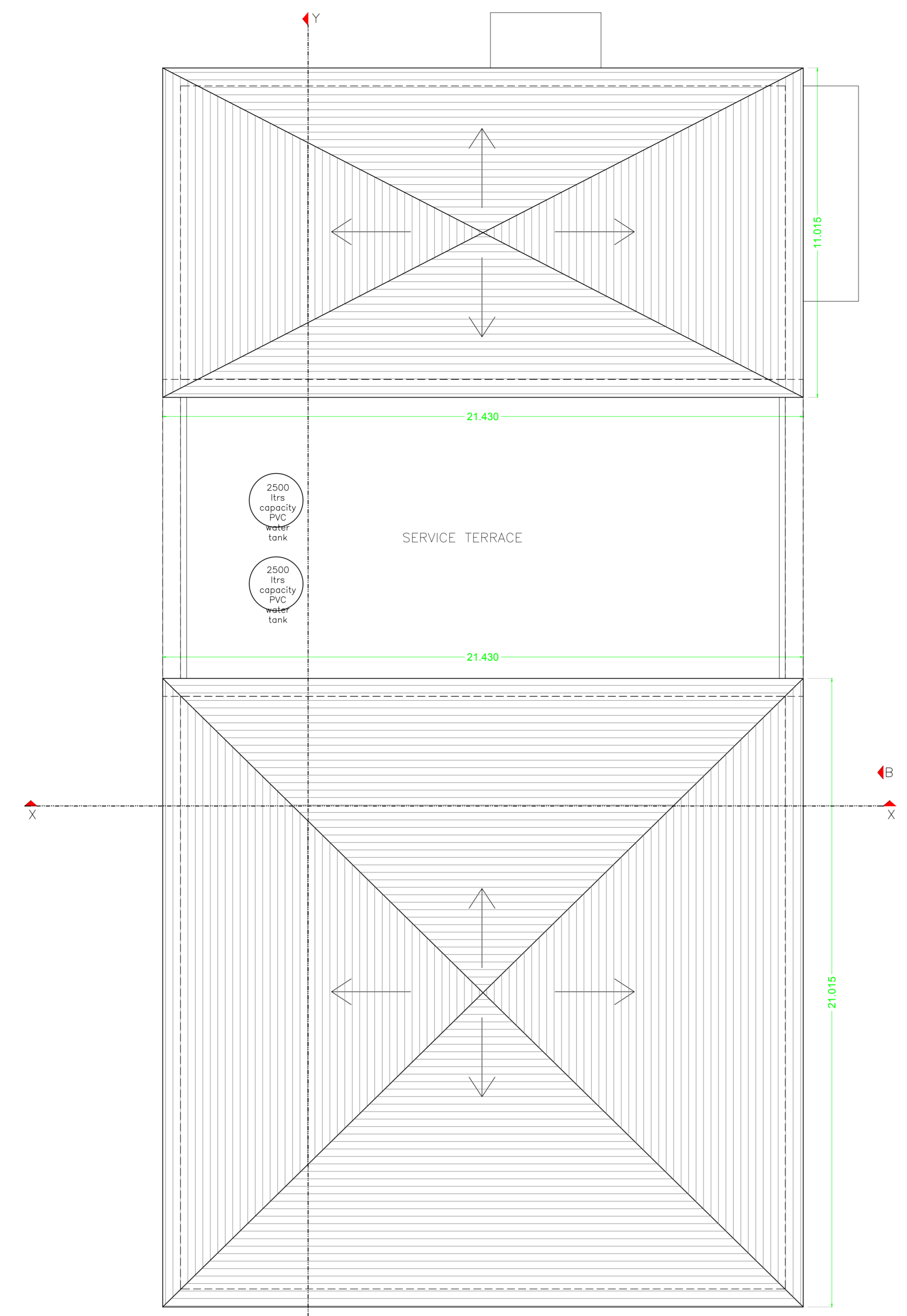
DATE	11-10-2021
PROJECT NAME AND SIGNATURE	STRUCTURAL ENGINEER NAME AND SIGNATURE
BUILDER NAME AND SIGNATURE	DIGITAL SIGNATURE



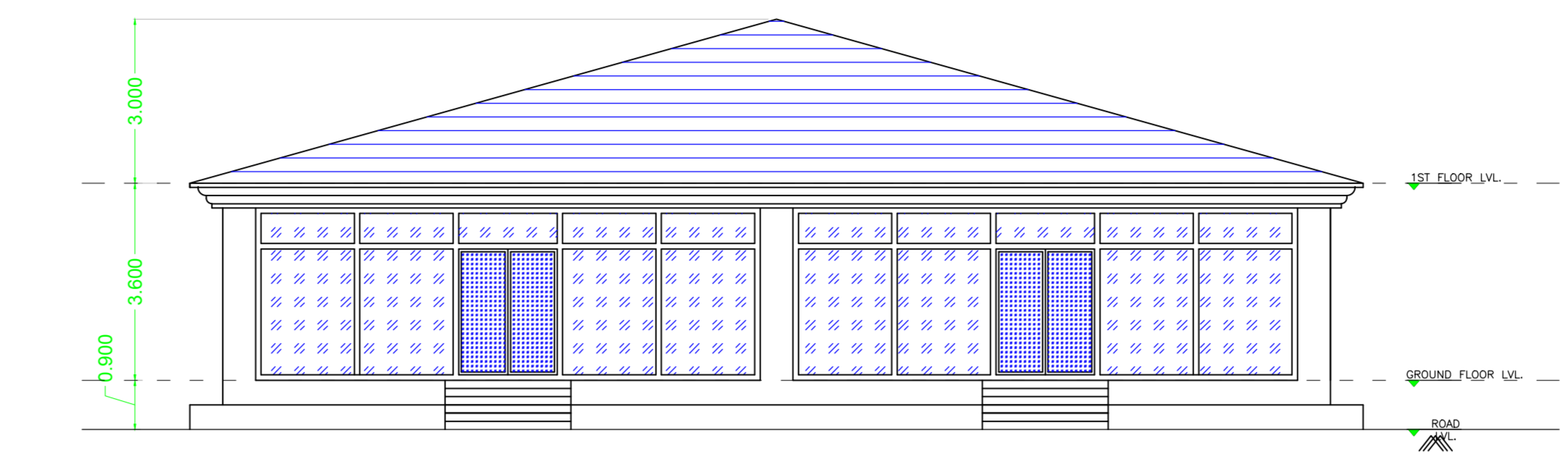
Proposed Basic Information	
Proposed File No.	RZBP0000201
Owner Name	SRI SURJEET SINGH
Plot No.	21
Plot No.	101, 103, 104, 102
Village Name	D.A.
Use	Residential
Subcode	ResConv-Brq



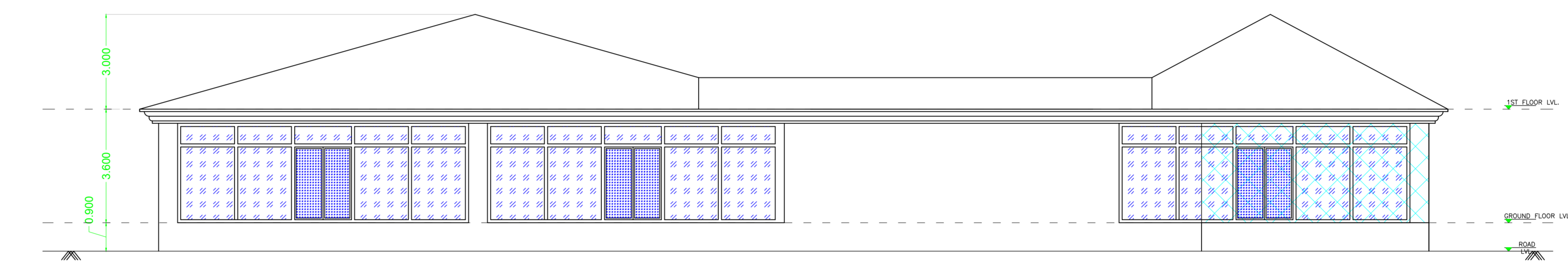
GROUND FLOOR PLAN  
(Proposed)  
(SCALE: 1:100)



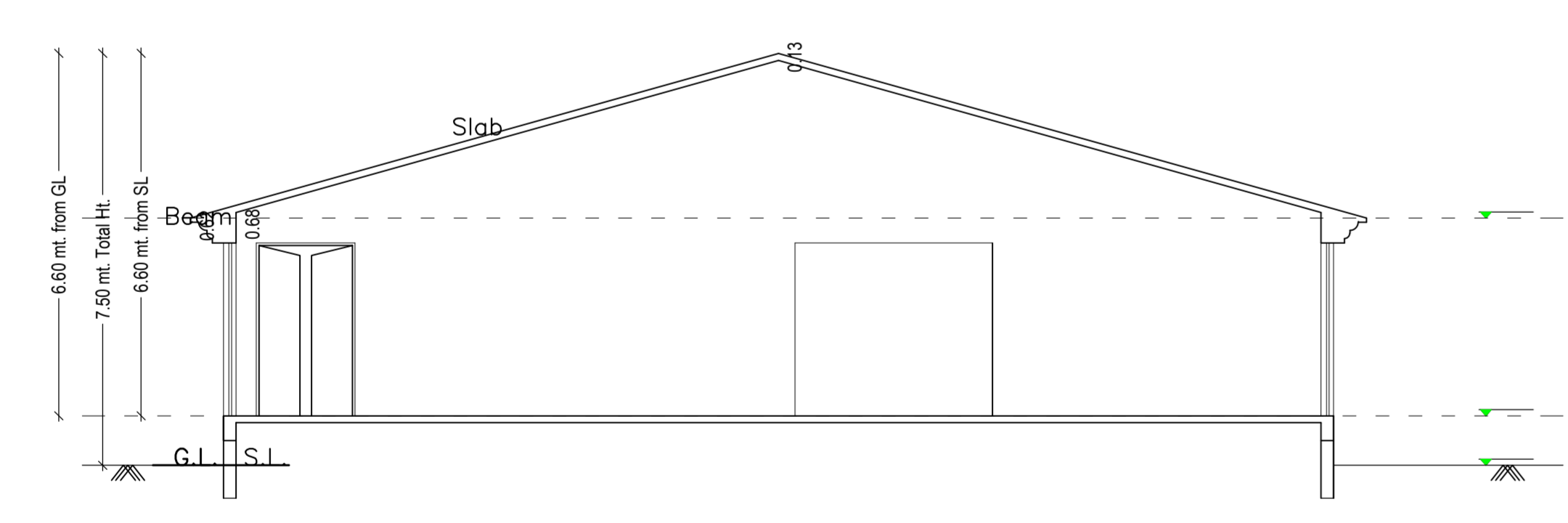
ROOF PLAN  
(scale:1:100)



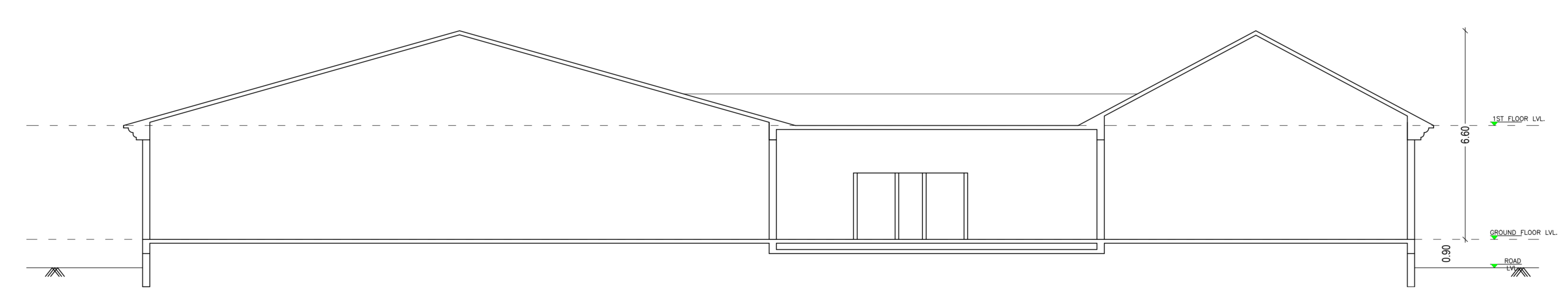
ELEVATION ON SIDE "A"  
(scale:1:100)



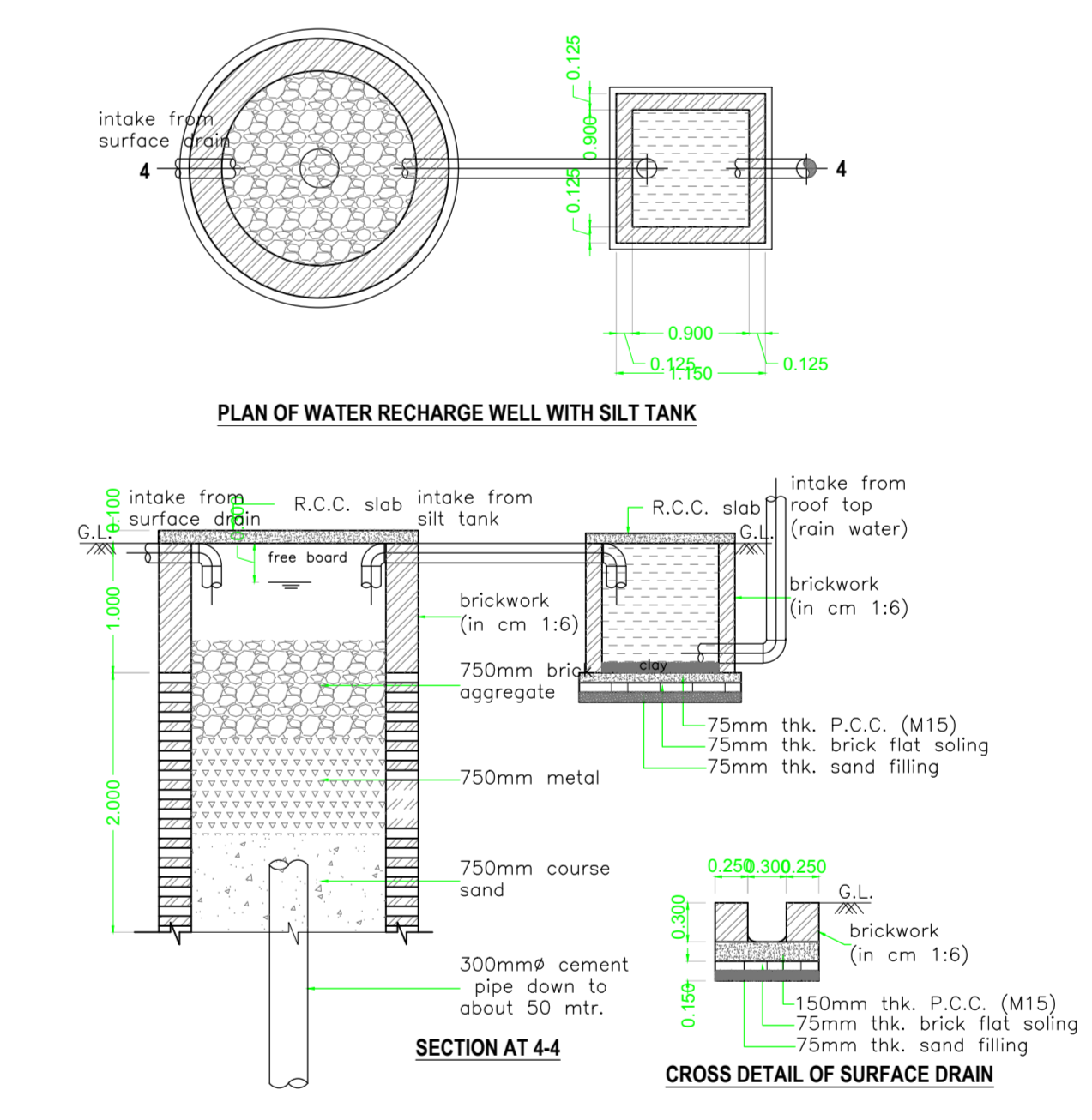
ELEVATION ON SIDE "B"  
(scale:1:100)



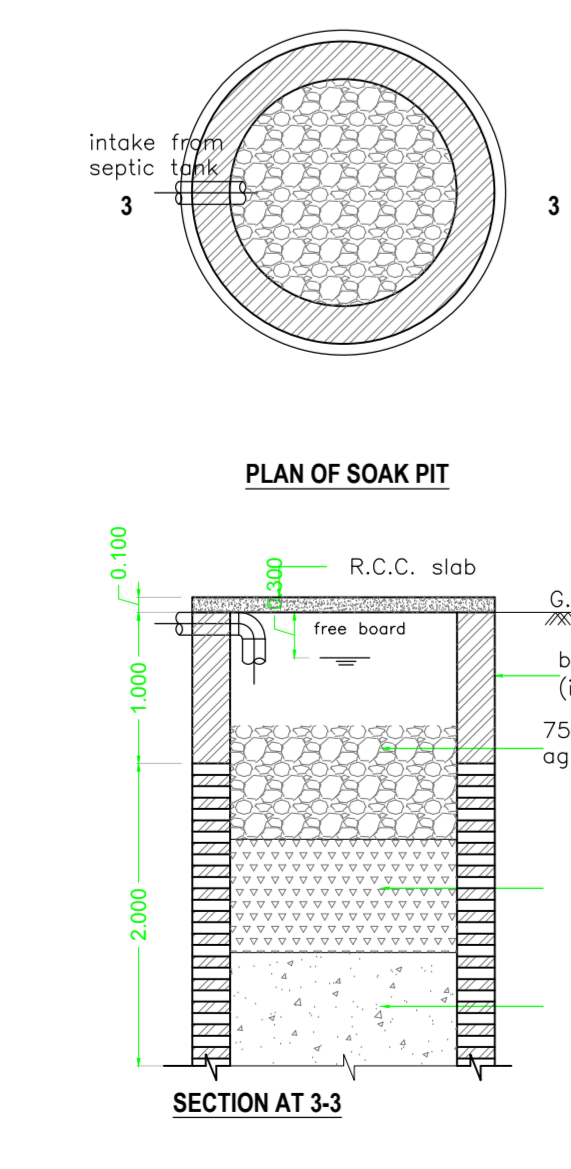
SECTION AT X-X  
(scale:1:100)



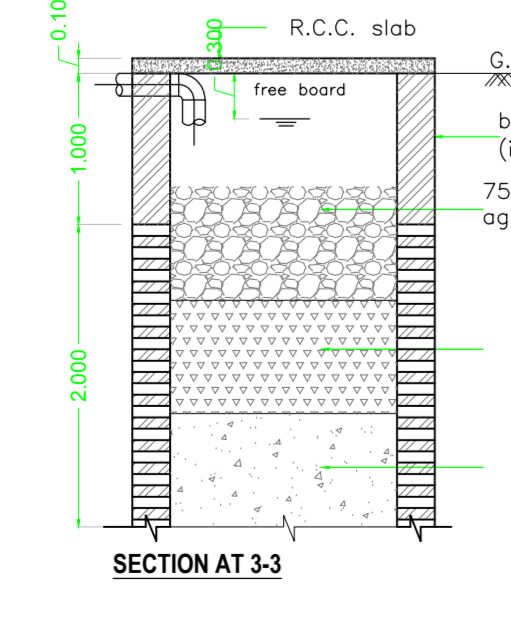
SECTION AT Y-Y  
(scale:1:100)



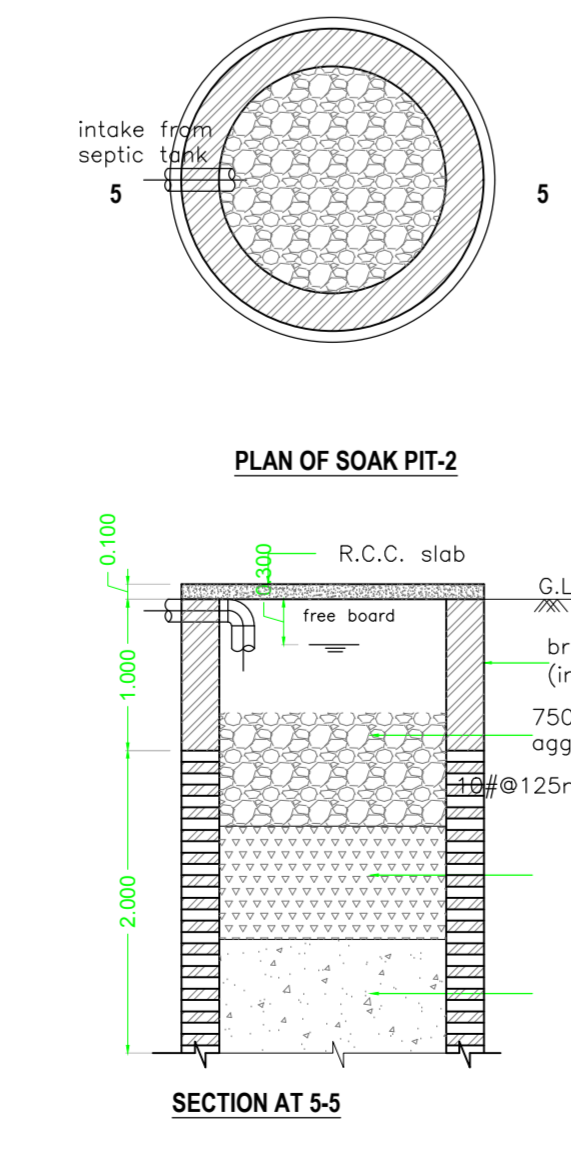
PLAN OF WATER RECHARGE WELL WITH SILT TANK



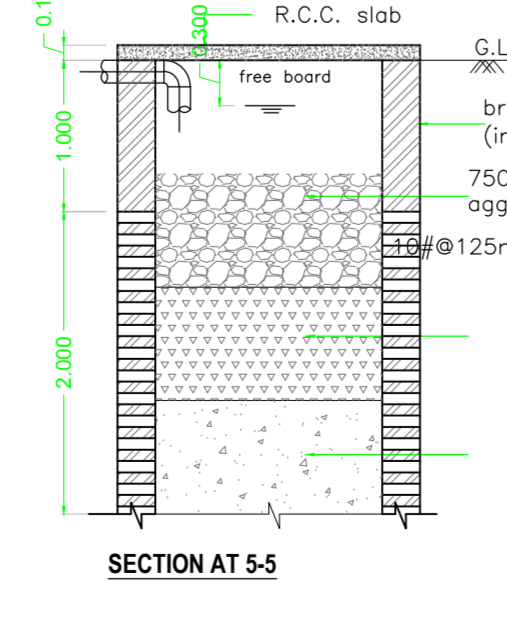
PLAN OF SOAK PIT



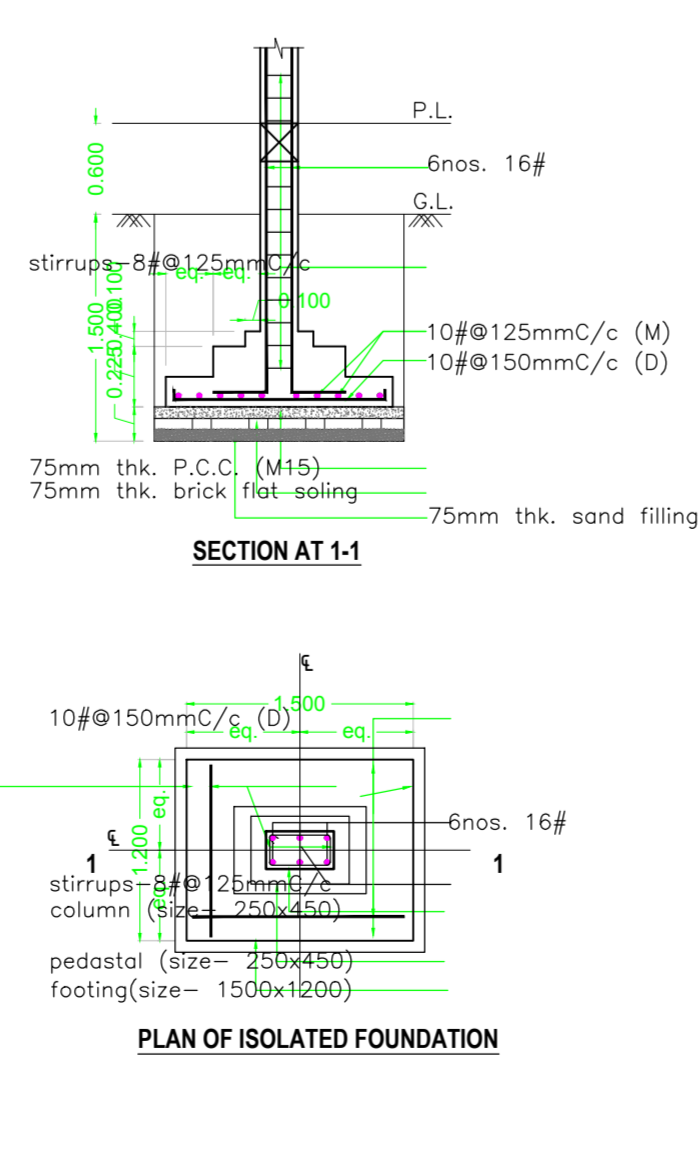
SECTION AT 3-3



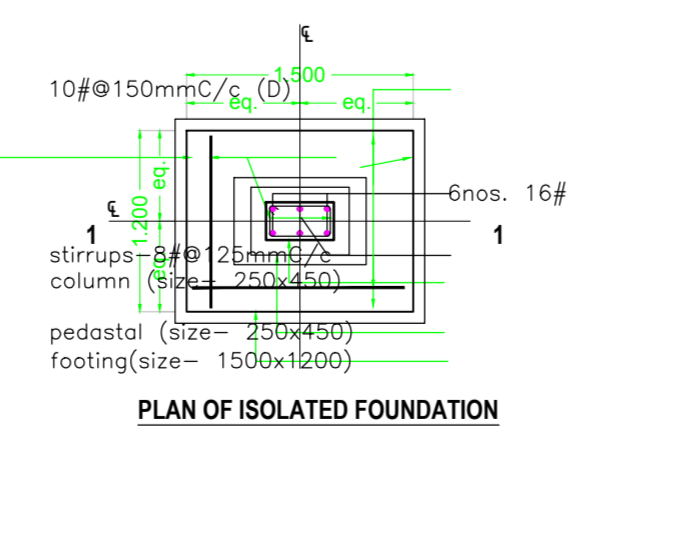
PLAN OF SOAK PIT 2



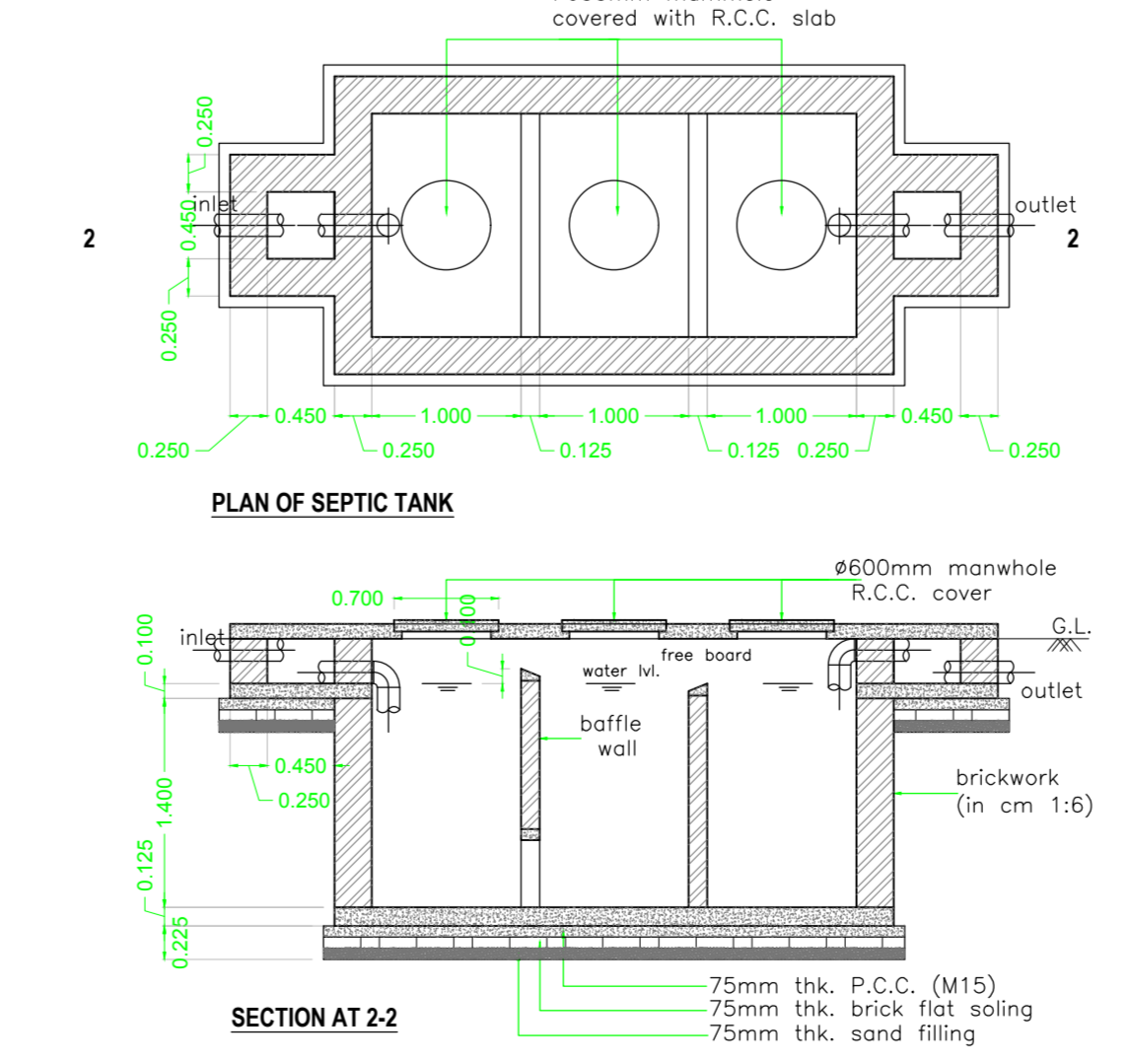
SECTION AT 5-5



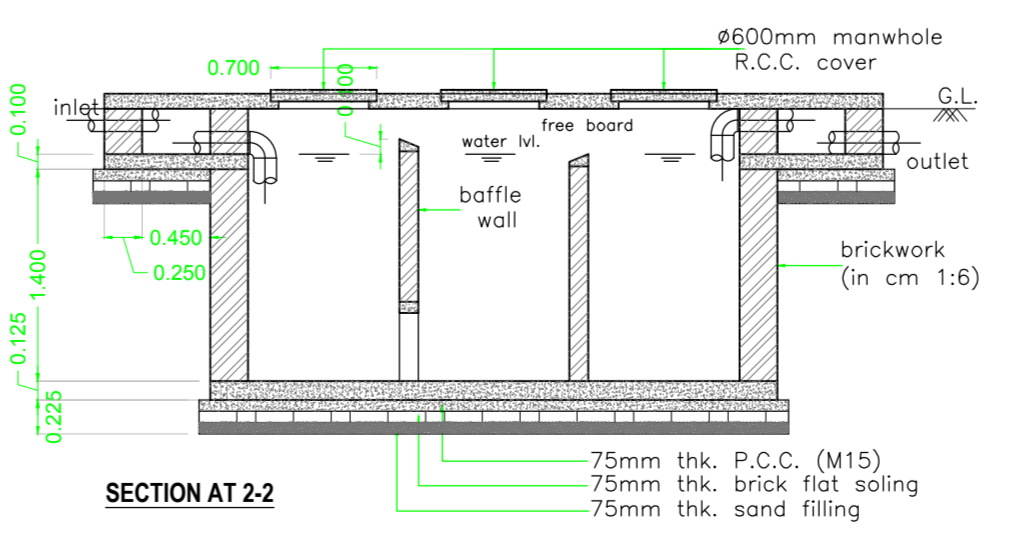
SECTION AT 1-1



PLAN OF ISOLATED FOUNDATION



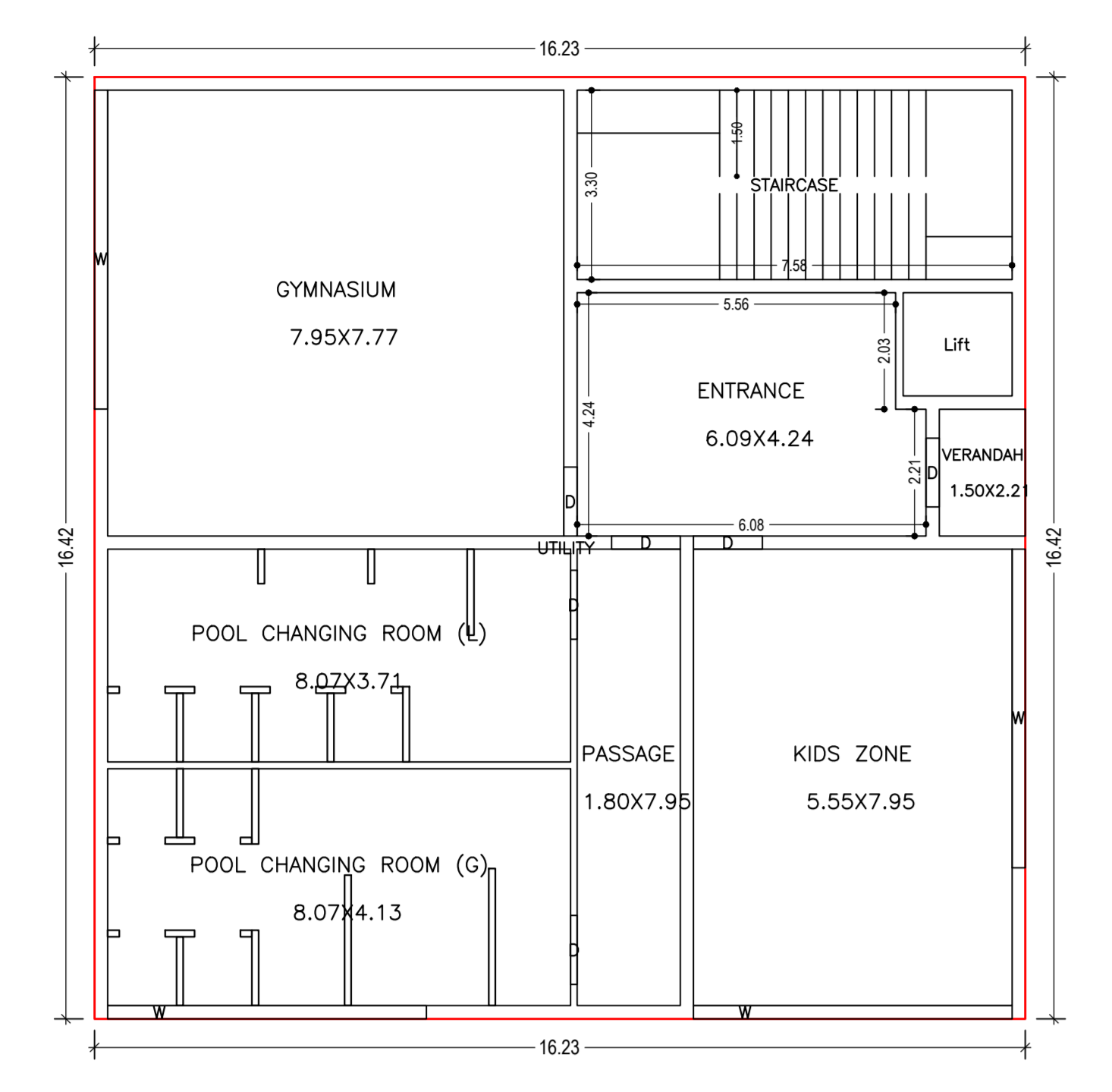
PLAN OF SEPTIC TANK



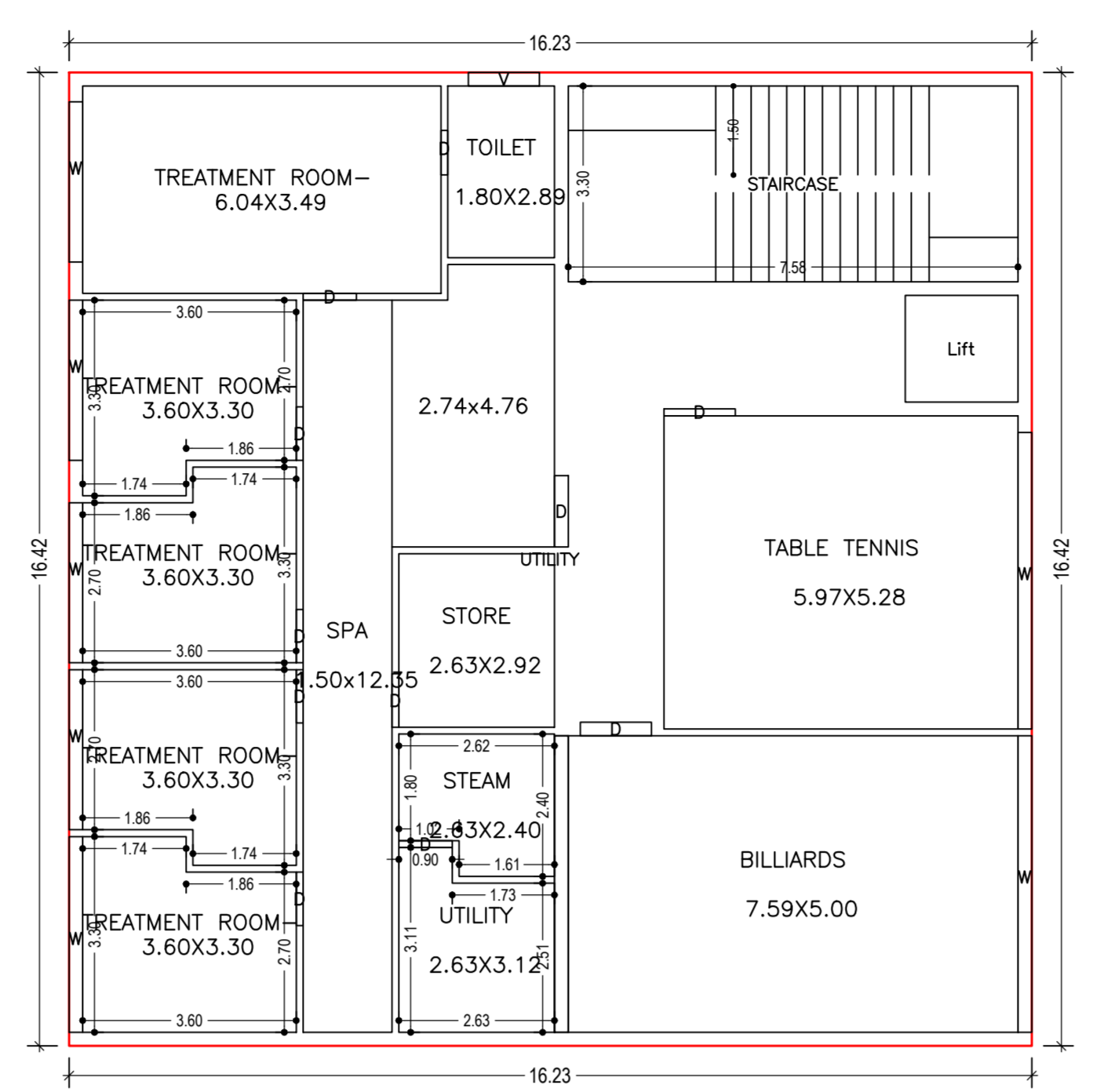
SECTION AT 2-2

DATE AND SIGNATURE	STRUCTURAL ENGINEER NAME AND SIGNATURE	BUILDER NAME AND SIGNATURE	DIGITAL SIGNATURE
	DEEPAJ SHARMA RZBP0000201		

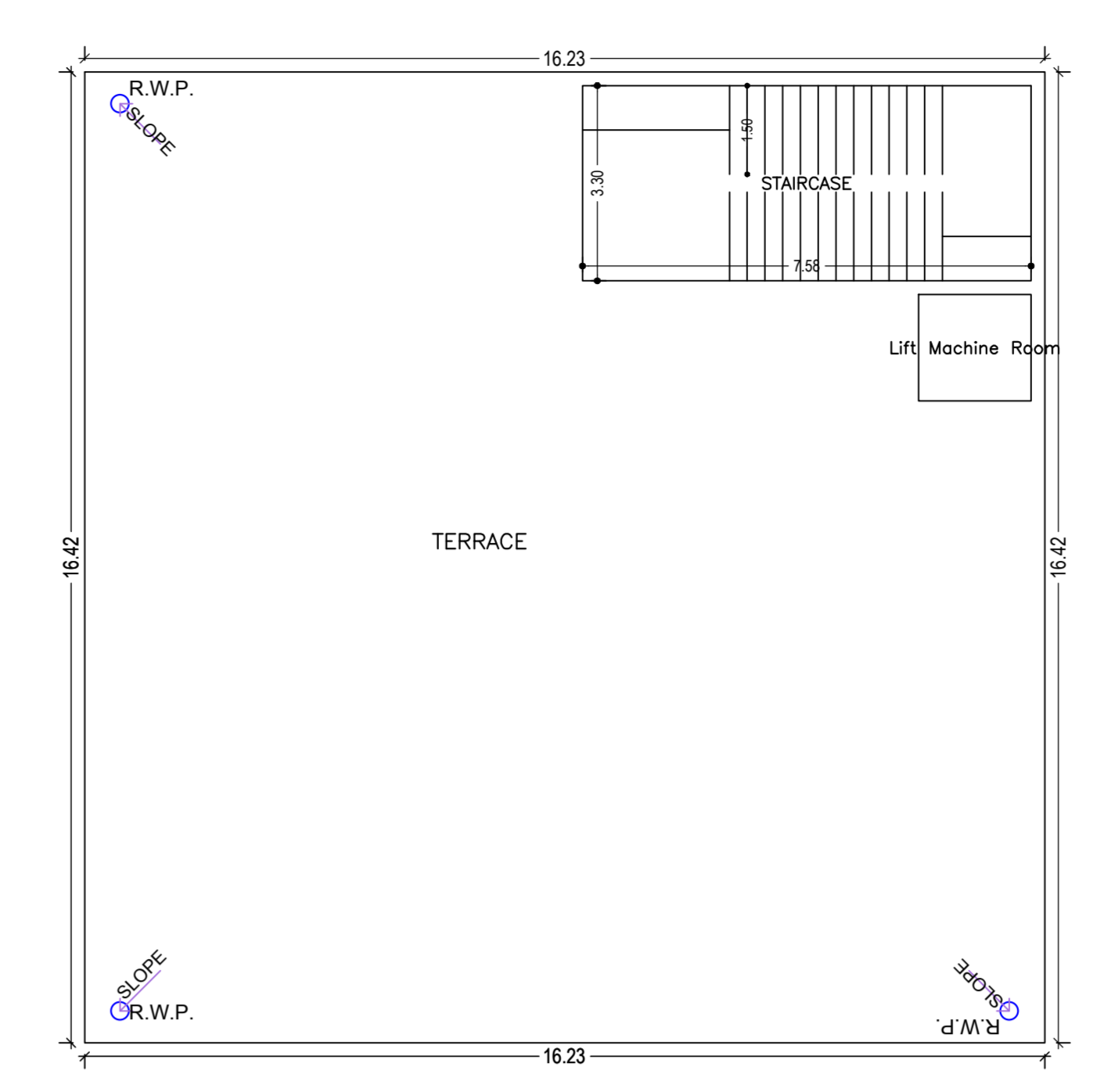




GROUND FLOOR PLAN  
(Proposed)  
(SCALE 1:100)



FIRST FLOOR PLAN  
(Proposed)  
(SCALE 1:100)



TERRACE FLOOR PLAN  
(SCALE 1:100)

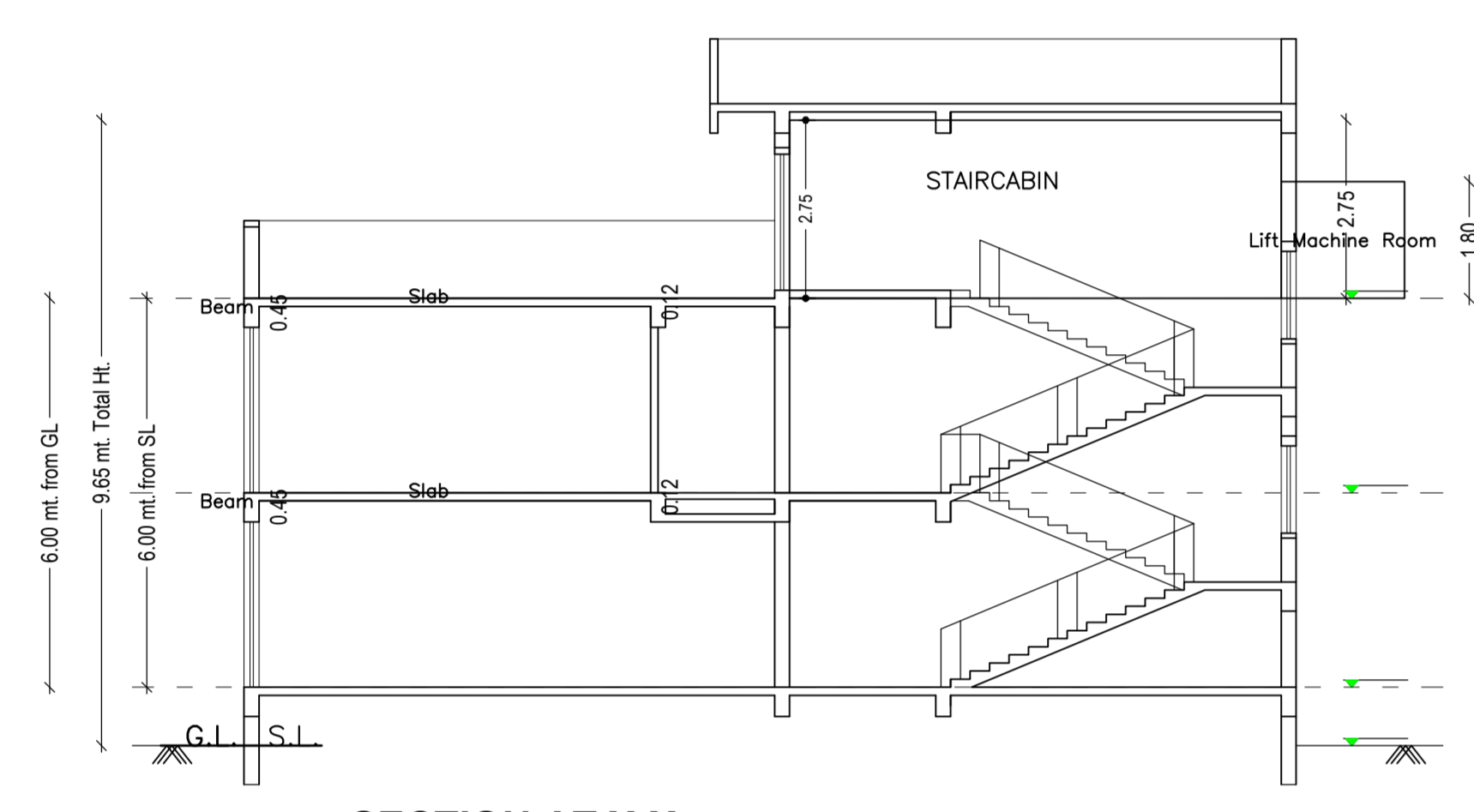
Building 'A' (SPABLOCK)

Floor Name	Type	Build Up Area (Sq.M)	Structure (Area Sq.M)	Proposed (Area Sq.M)	Area (Sq.M)	Area (Sq.M)	Total Covered Area (Sq.M)
Ground Floor	GR	280.42	1.92	282.34	282.34	282.34	282.34
First Floor	GR	1.42	251.08	252.50	252.50	252.50	252.50
Terrace Floor	GR	1.00	1.92	2.92	2.92	2.92	2.92
Total		282.84	3.76	536.76	537.76	537.76	537.76

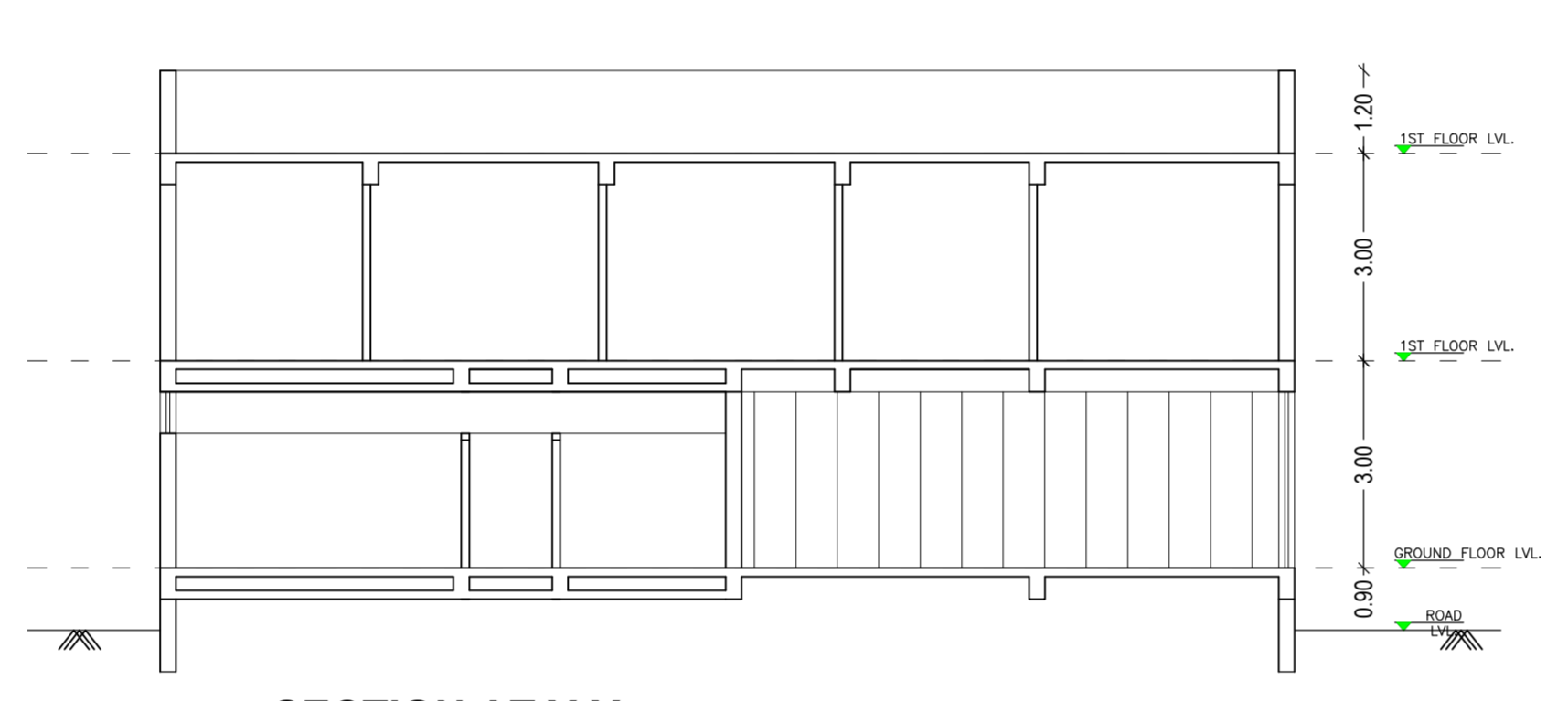
Door	TYPE	WIDTH	HEIGHT	NO.
2. SPABLOCK	D	1.20	2.10	05
2. SPABLOCK	D	1.80	2.10	02
2. SPABLOCK	D	1.20	2.10	08

Window	TYPE	WIDTH	HEIGHT	NO.
2. SPABLOCK	W	1.20	1.20	02
2. SPABLOCK	W	2.10	1.20	04
2. SPABLOCK	W	1.20	1.20	02
2. SPABLOCK	W	1.80	1.20	02
2. SPABLOCK	W	1.80	1.20	02

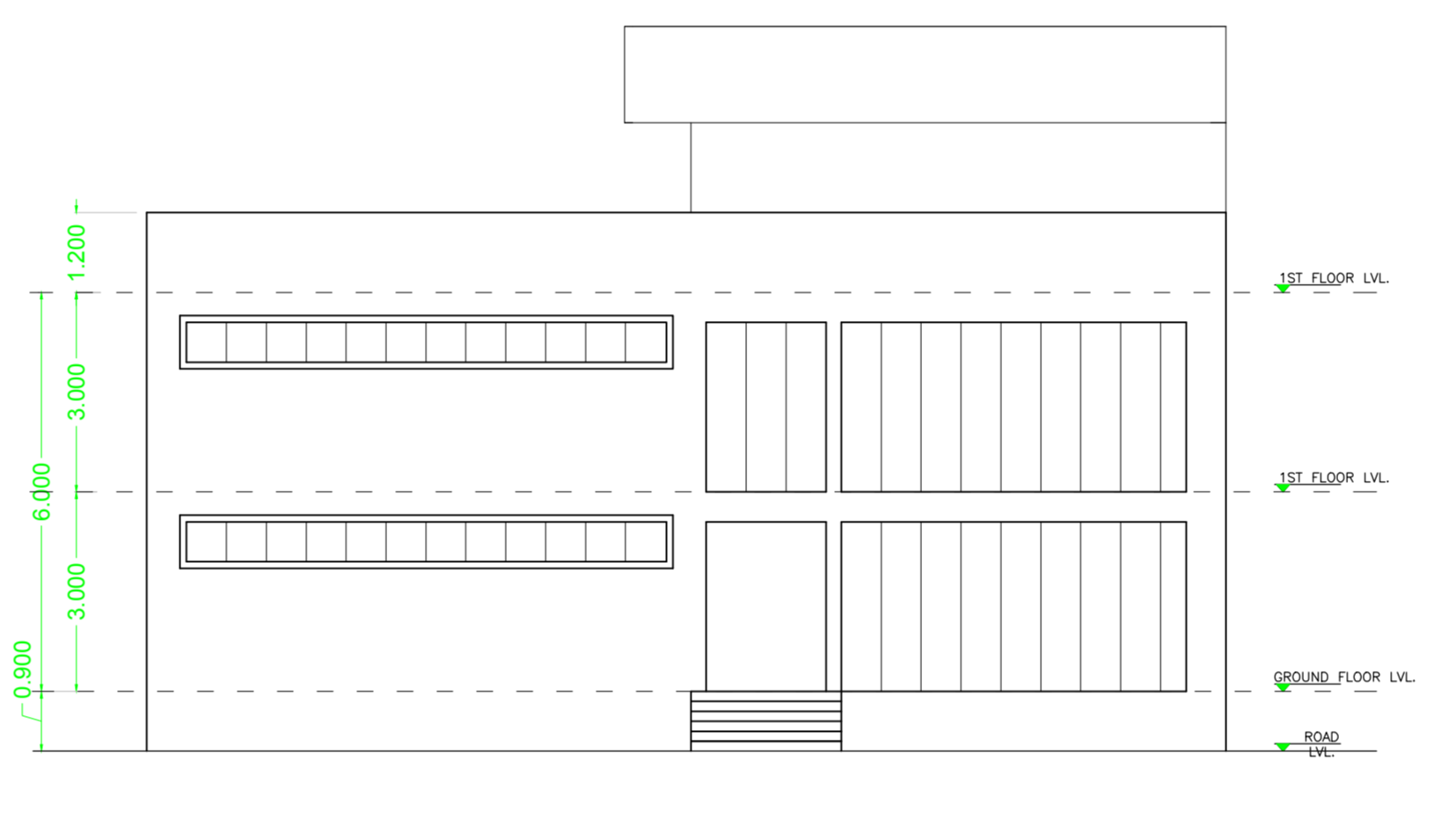
FLOOR	Name	URBIA Type	URBIA Area	Capex Area	No. of Rooms	No. of Bathrooms



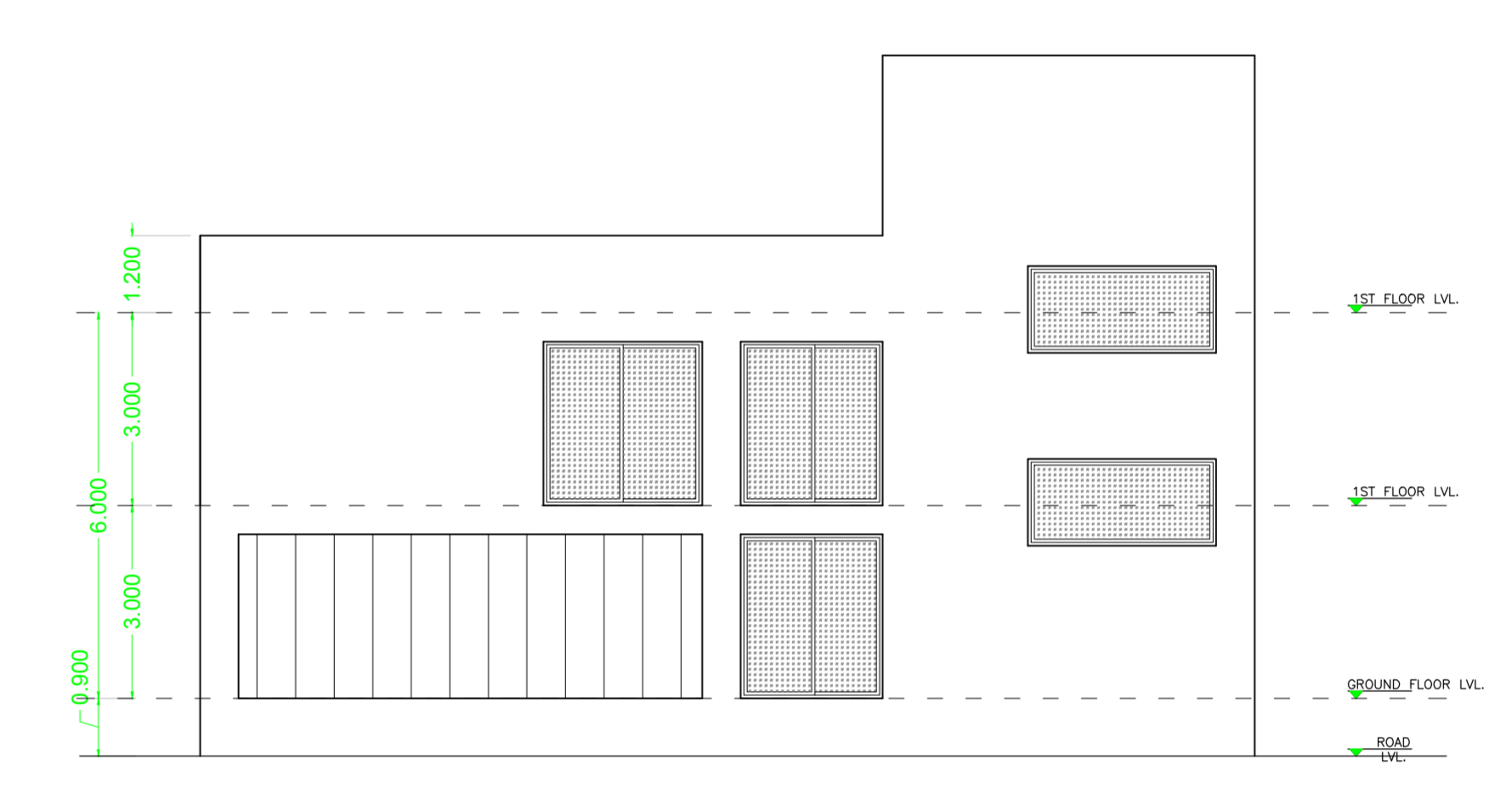
SECTION AT X-X  
(scale:1:100)



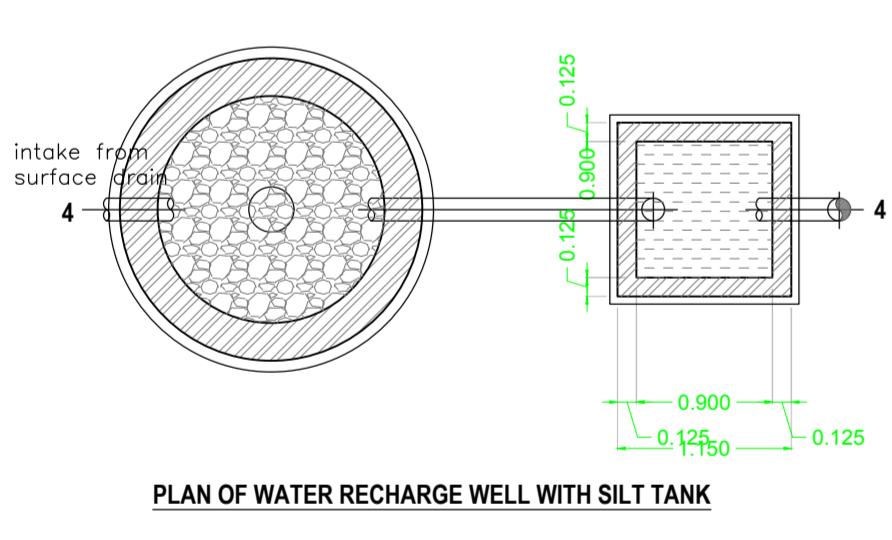
SECTION AT Y-Y  
(scale:1:100)



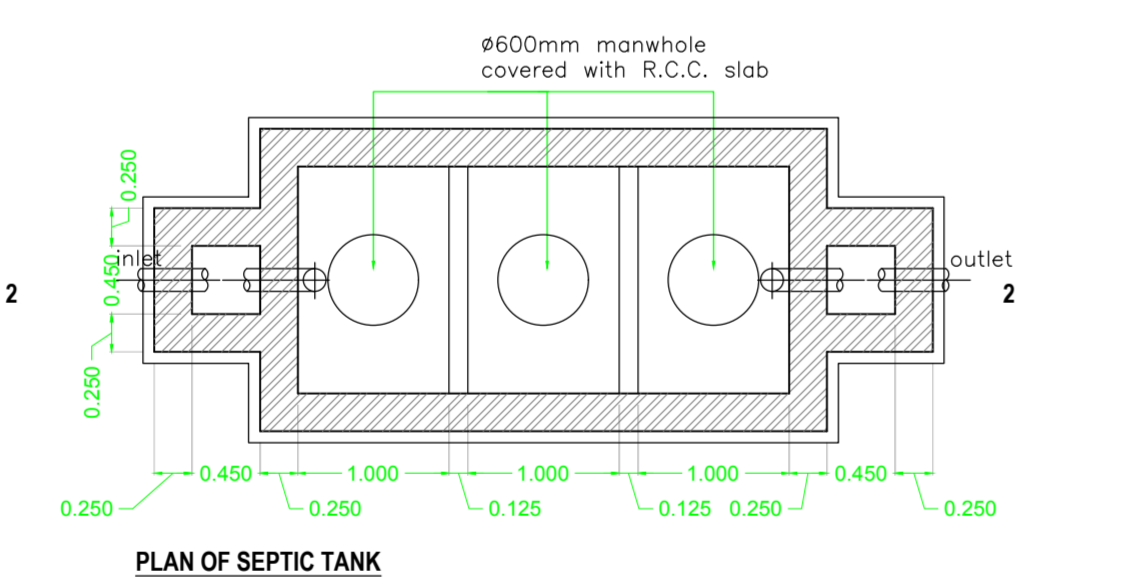
ELEVATION ON SIDE "A"  
(scale:1:100)



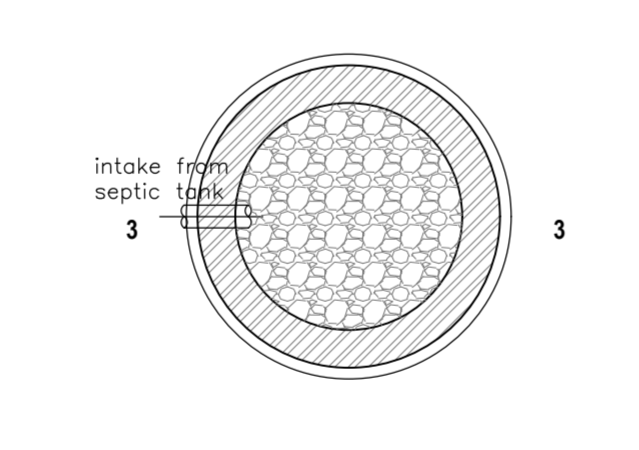
ELEVATION ON SIDE "B"  
(scale:1:100)



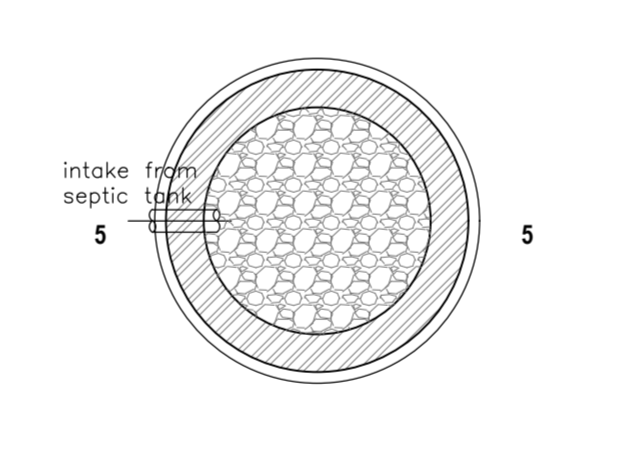
PLAN OF WATER RECHARGE WELL WITH SILENT TANK



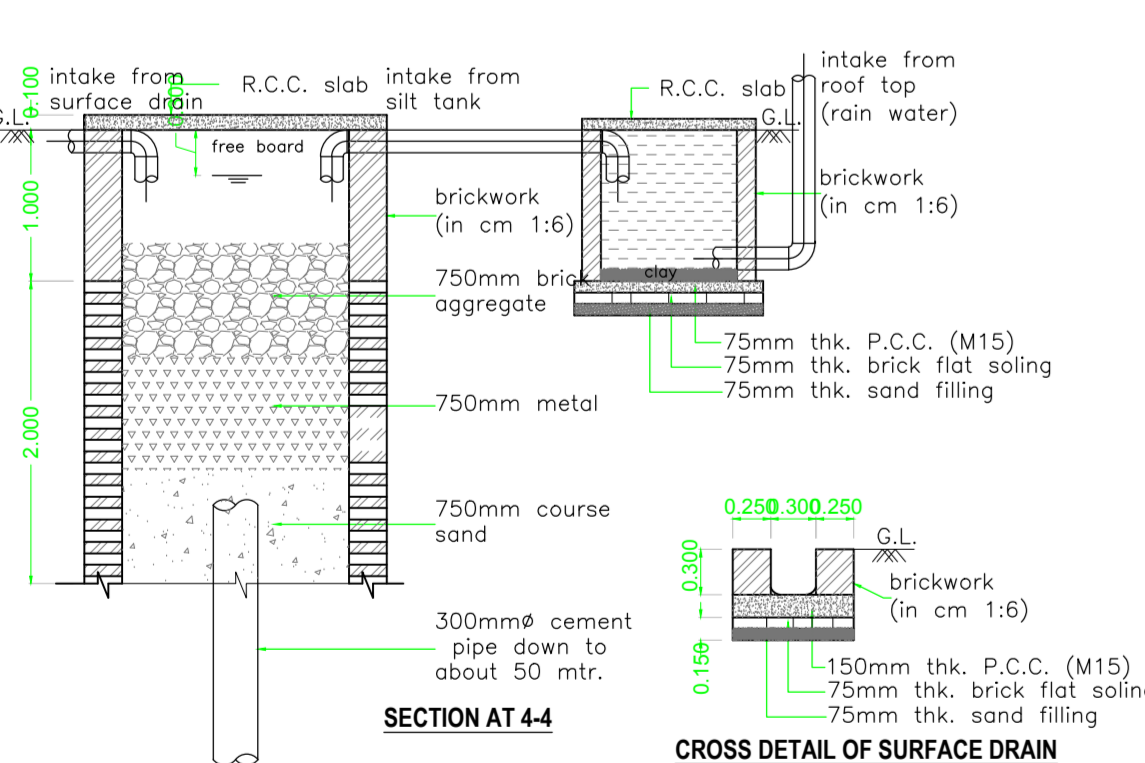
PLAN OF SEPTIC TANK



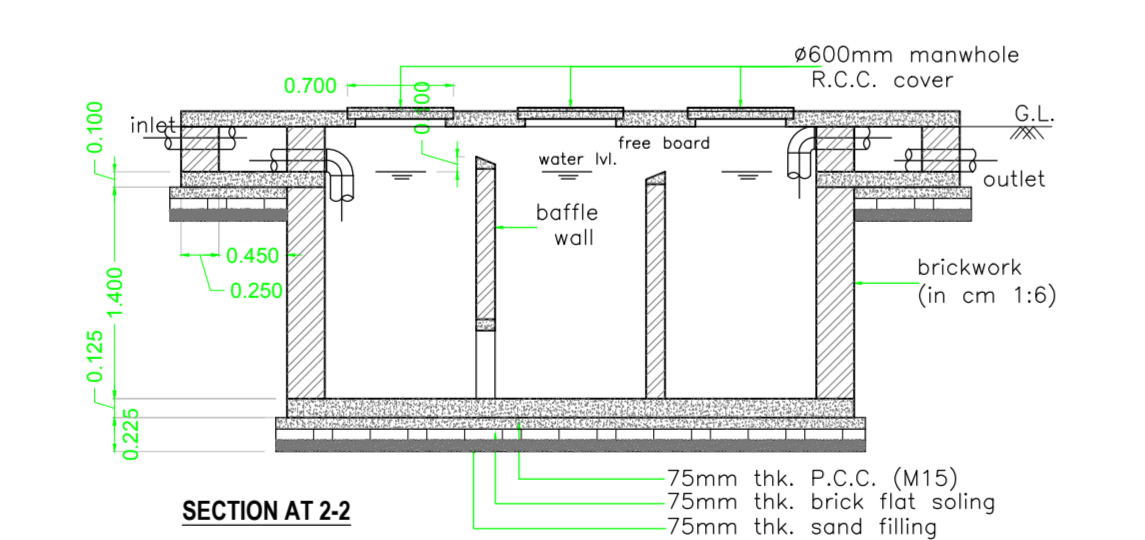
PLAN OF SOAK PIT



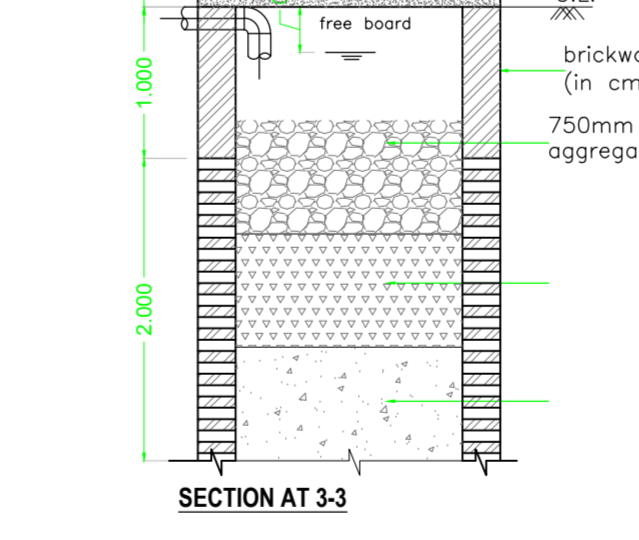
PLAN OF SOAK PIT 2



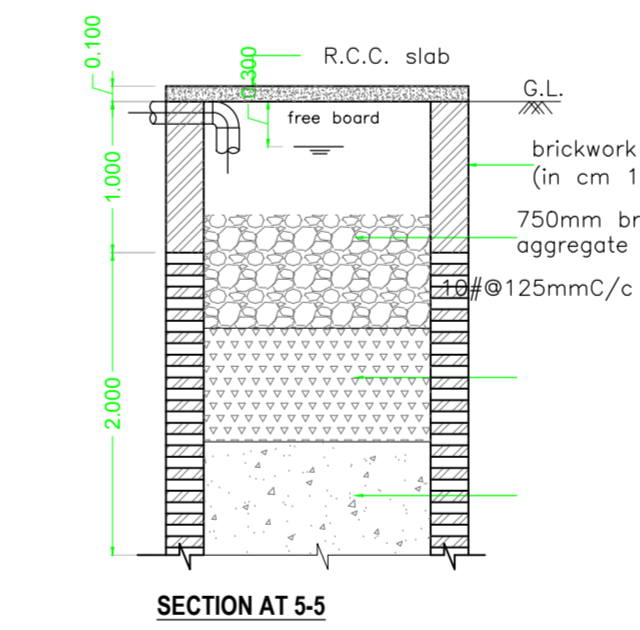
SECTION AT 4-4  
CROSS DETAIL OF SURFACE DRAIN



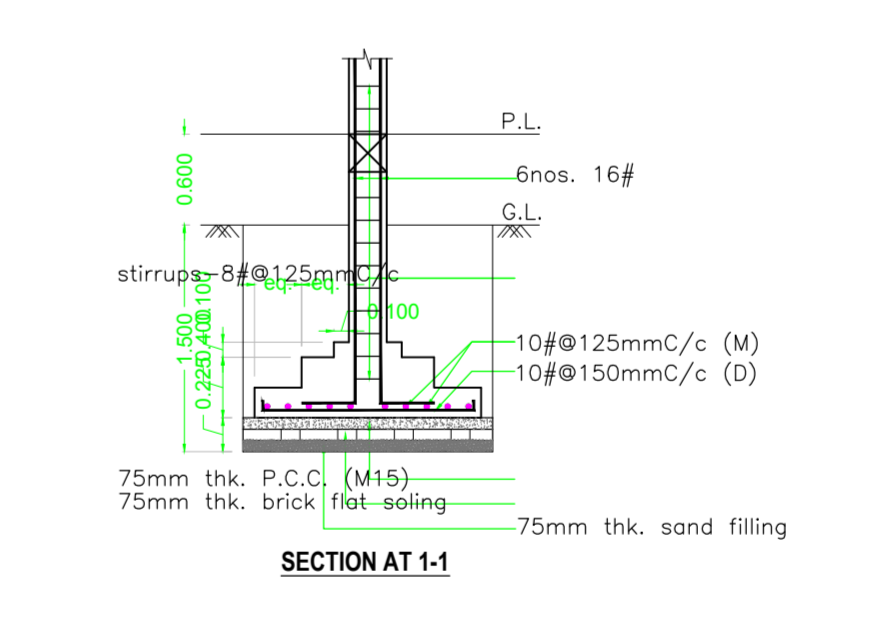
SECTION AT 2-2



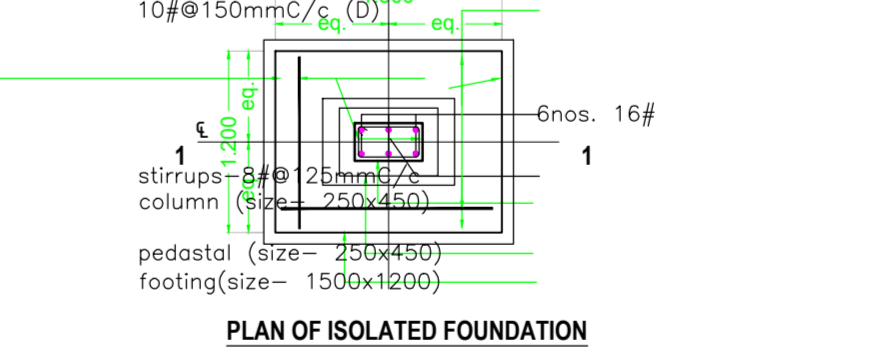
SECTION AT 3-3



SECTION AT 5-5



SECTION AT 1-1



PLAN OF ISOLATED FOUNDATION