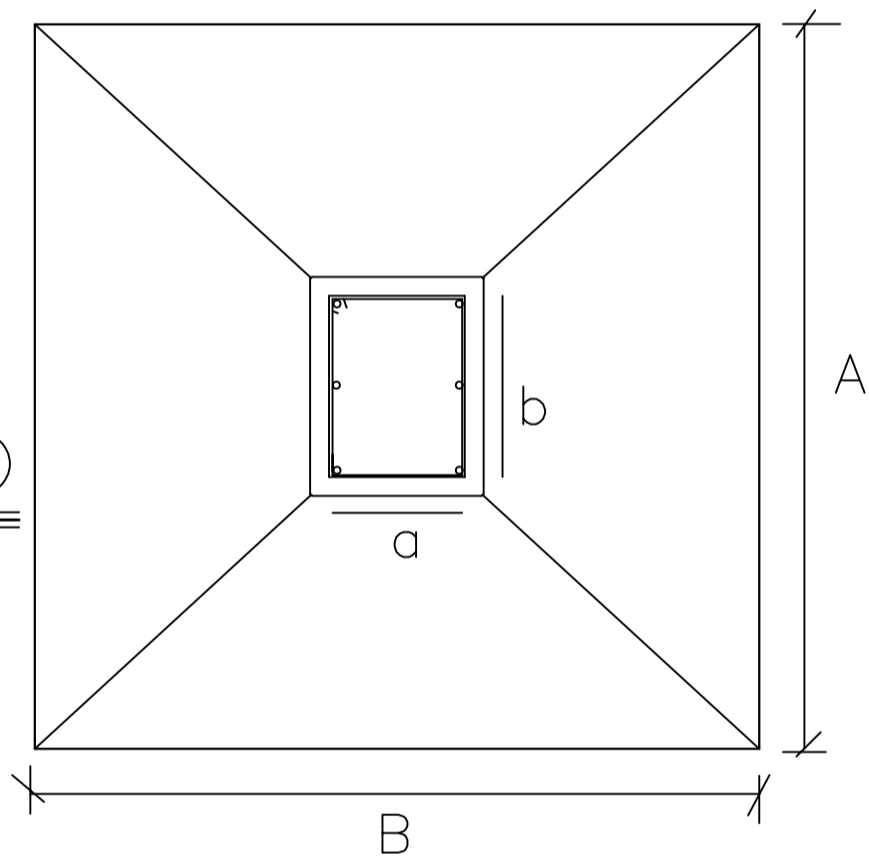


CONCRETE MIX M150 (1:2:4)



FOUNDATION DETAILS

c.marks	A	B	H	a	b	d	D	RX/Ry	STEEL
C1/F1	5'6"	5'6"	5'0"	10"	10"	6"	18"	10mm@ 6" c/c both way	12 mm -6 no
C2/F2	5'0"	5'0"	5'0"	10"	15"	9"	24"	10mm@ 5" c/c both way	16 mm -6 no

Sheet No.-02

FOUNDATION DETAILS