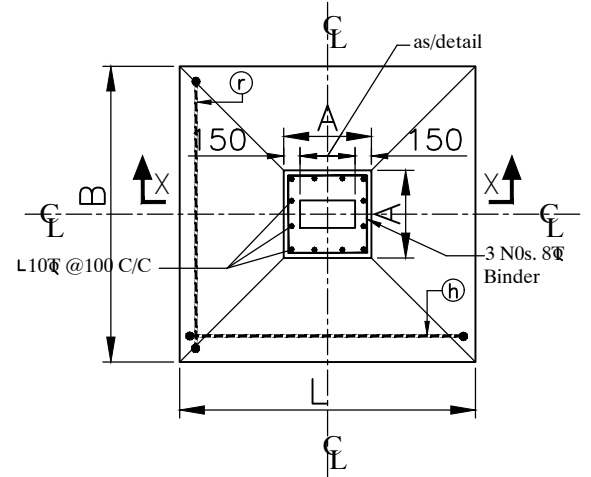
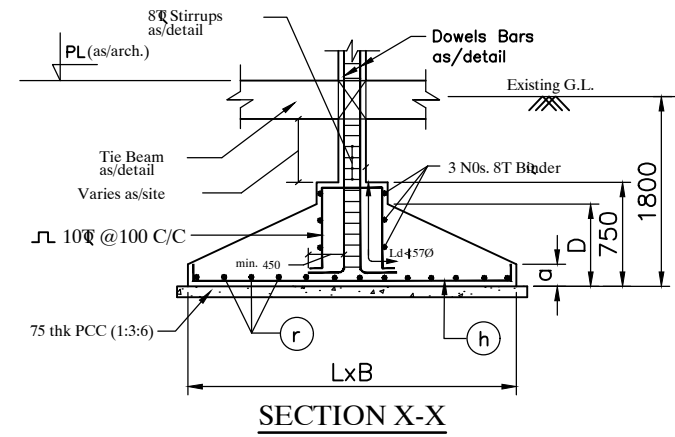


REINFORCEMENT DETAIL OF COLUMNS

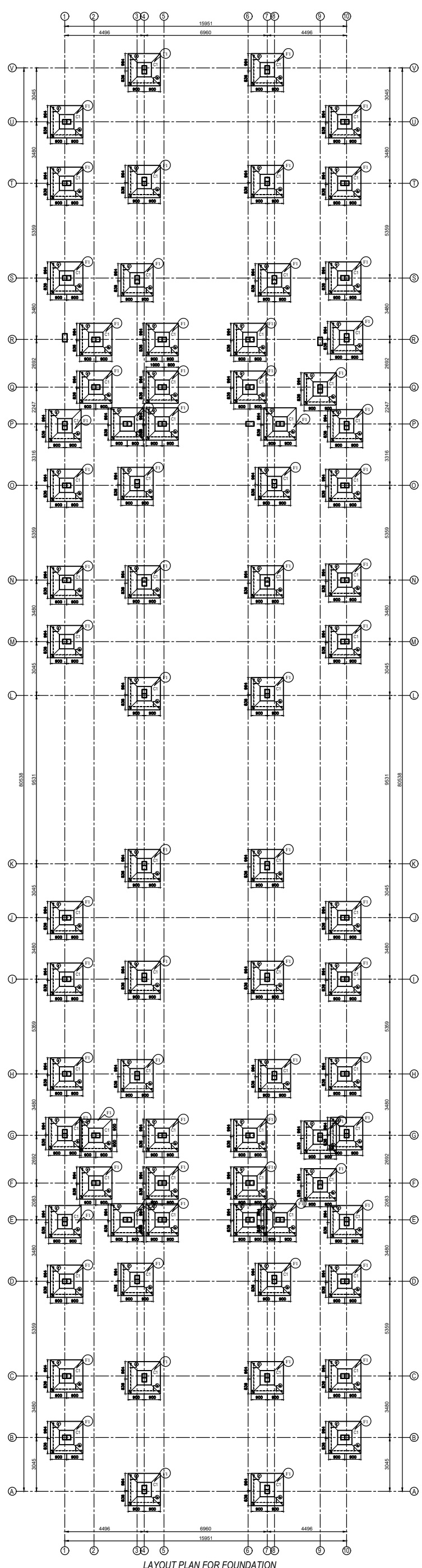
Column Nos.	C1	C2	C3
Floor			
SIZE (MMS)			
FOUNDATION TO ROOF			
SIZE (MMS)	(450x250)	(500x250)	(500x500)



TYP DETAIL OF ISOLATED FOOTING

NOTES:-

- All dimensions are in mm unless noted otherwise.
- Read this drawing alongwith architectural & structural drawings.
- Top level of the Beam shall be at Plinth Level. Plinth Level shall be fixed as per Architectural Drawing.
- Grade of concrete shall be M-20.
- Means Cold Twisted Deformed-bar conforming to IS:1786-1985 and having a minimum yield strength of 500 N/mm².
- Clear cover to main reinforcement shall be 25mm for Beams.
- All Plinth Beams shall be rest on leveled ground over 75mm thk. Brick Soiling.
- Lap length shall be equal to Ld=57 times smaller Dia of bars and shall be avoided in following cases- Top bars-near support, Bottom bars-near mid span
- Development Length shall be equal to 57 times the bar dia.
- All concrete shall be machine mixed and machine
- Sufficient concrete cube test and steel yield strength test is to be performed for different batches & report shall be submitted to consultants in time.



LAYOUT PLAN FOR FOUNDATION

DETAIL OF FOOTINGS

FOOTING MARKS	L x B	D	a	REINFORCEMENT DETAILS	
				(h)	(r)
F1	1800 x 1800	400	175	10# @ 125 C/C	10# @ 125 C/C
F2	2100 x 2100	450	200	10# @ 125 C/C	10# @ 125 C/C
F3	2400 x 2400	500	225	10# @ 125 C/C	10# @ 125 C/C

TITLE:- PLAN & RCC DETAILS FOR FOUNDATION	
CLIENT:- SCHOOL AT RANCHI	
ARCHITECT & CONSULTANT:- grids consultants <small>202 FL, ROSHNI TOWERS, MAIN ROAD, RANCHI PH: 2332258, E-mail: grids_consultants@yahoo.com</small>	
SCALE - 1:50	DRG NO: GR/SB-SA-B/
DRAWN BY: ABUL	DATE:
CHECKED BY: AMIT	DESIGN BY: AMIT