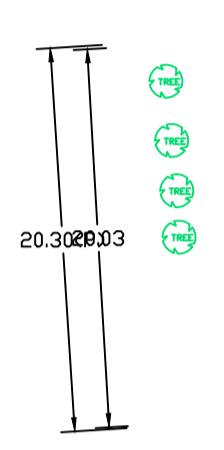
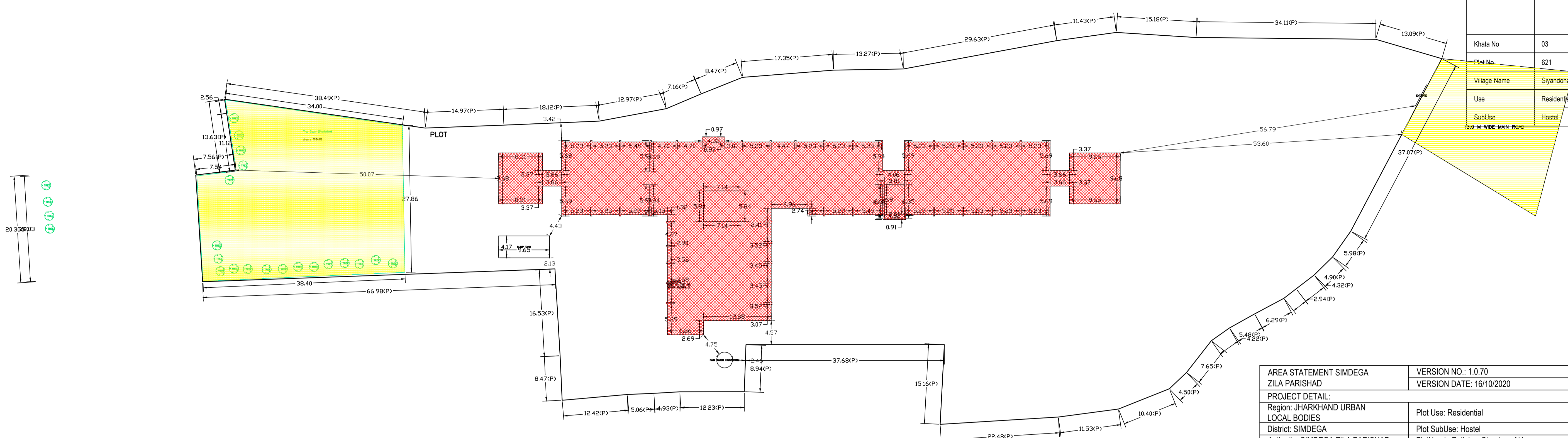


Proposal Basic Information	
Proposal File No.	SZP/BP/0001/2023
Owner Name	Sister Flora Minz
Khata No	03
Plot No.	621
Village Name	Siyandohar
Use	Residential
SubUse	Hostel



AREA STATEMENT SIMDEGA ZILA PARISHAD		VERSION NO.: 1.0.70
PROJECT DETAIL:		VERSION DATE: 16/10/2020
Region: JHARKHAND URBAN LOCAL BODIES	Plot Use: Residential	
District: SIMDEGA	Plot SubUse: Hostel	
Authority: SIMDEGA ZILA PARISHAD	PlotNearbyReligiousStructure: NA	
Inward_No: SZP/BP/0001/2023	Plot/SubPlot No: 621	
Application Type: General Proposal	North: Plot No. - 610,620	
Project Type: Building Permission	South: Plot No. - 621/part	
Nature of Development: New	East: Road Width - 12.2	
Location of Development Area: New Area	West: Plot No. - NA	
AREA DETAILS:		SQ.MT.
AREA OF PLOT (Minimum)	(A)	11005.32
NET AREA OF PLOT(Gross Plot Area - Deduction from Gross Plot area)	(A-Deductions)	11005.32
Deduction for Balance Plot Area(from Gross Plot Area)		
Common Plot		1134.96
Total		1134.96
BALANCE AREA OF PLOT(Net Plot Area - Recreational/Amenity space)	(A-Deductions)	9870.36
PLOT AREA FOR COVERAGE(Net Plot Area)	(A-Deductions)	11005.32
Plot Area for FAR (Net Plot Area + RoadWidening Area)	(A-Deductions)	11005.32
COVERAGE CHECK		
Permissible Coverage area (50.00 %)		5502.66
Proposed Coverage Area (16.41 %)		1805.92
Total Prop. Coverage Area (16.41 %)		1805.92
Balance coverage area (33.59 %)		3696.74
FAR CHECK		
Perm. FAR Area (2.000)		22010.64
Total Perm. FAR area		22010.64
Residential FAR		3611.83
Proposed FAR Area		3611.83
Total Proposed FAR Area		3611.83
Consumed FAR (Factor)		0.33
Balance FAR Area		18398.81
BUILT UP AREA CHECK		
Total Proposed BuiltUp Area		3660.22
ARCHITECT (Regd)	APURB MINZ	
ENGINEER (Regd)		
SUPERVISOR (Regd)		
OWNER (Regd)	Sister Flora Minz	
DEVELOPMENT AUTHORITY		LOCAL BODY

COLOR INDEX	
PLOT BOUNDARY	
ABUTTING ROAD	
PROPOSED CONSTRUCTION	
COMMON PLOT	
ROAD WIDENING AREA	
EXISTING (To be retained)	
EXISTING (To be demolished)	

SITE PLAN

Buildingwise Floor FAR Details

Floor Name	Building Name A (HOSTEL)		Total	
	Proposed Built Up Area (Sq.mt.)	Proposed FAR Area (Sq.mt.)	Total Proposed Built Up Area (Sq.mt.)	Total FAR Area (Sq.mt.)
Ground Floor	1830.11	1805.92	1830.11	1805.92
First Floor	1830.11	1805.92	1830.11	1805.92
Terrace Floor	0.00	0.00	0.00	0.00
Total :	3660.22	3611.84	3660.22	3611.84

FAR & Tenement Details (Table 4c-1)

Building	No. of Same Bldg	Gross Built Up Area (Sq.mt.)	Deductions From Gross BUA(Area in Sq.mt.) Cutout	Total Built Up Area (Sq.mt.)	Deductions (Area in Sq.mt.) StairCase	Proposed FAR Area (Sq.mt.) Resi.	Total FAR Area (Sq.mt.)	Total Consumed Additional FAR Area (Sq.mt.)	Carpet Area other than Tenement
Grand Total :	1	3743.62	83.40	3660.22	48.38	3611.84	3611.84	3611.84	2910.55

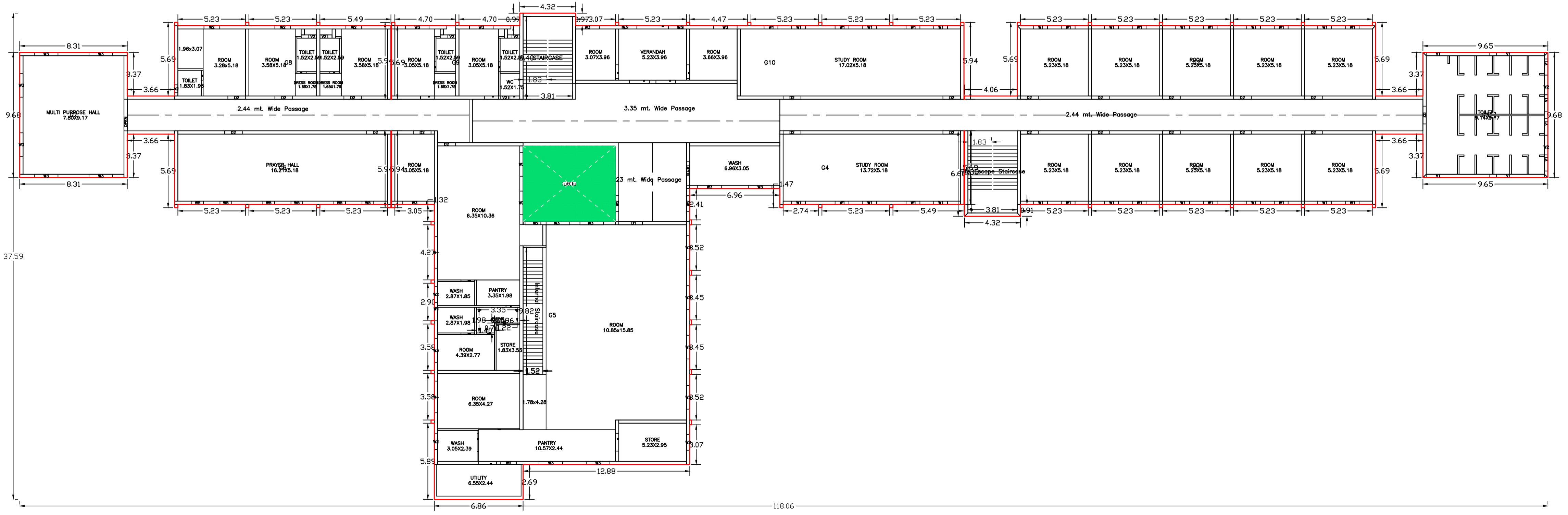
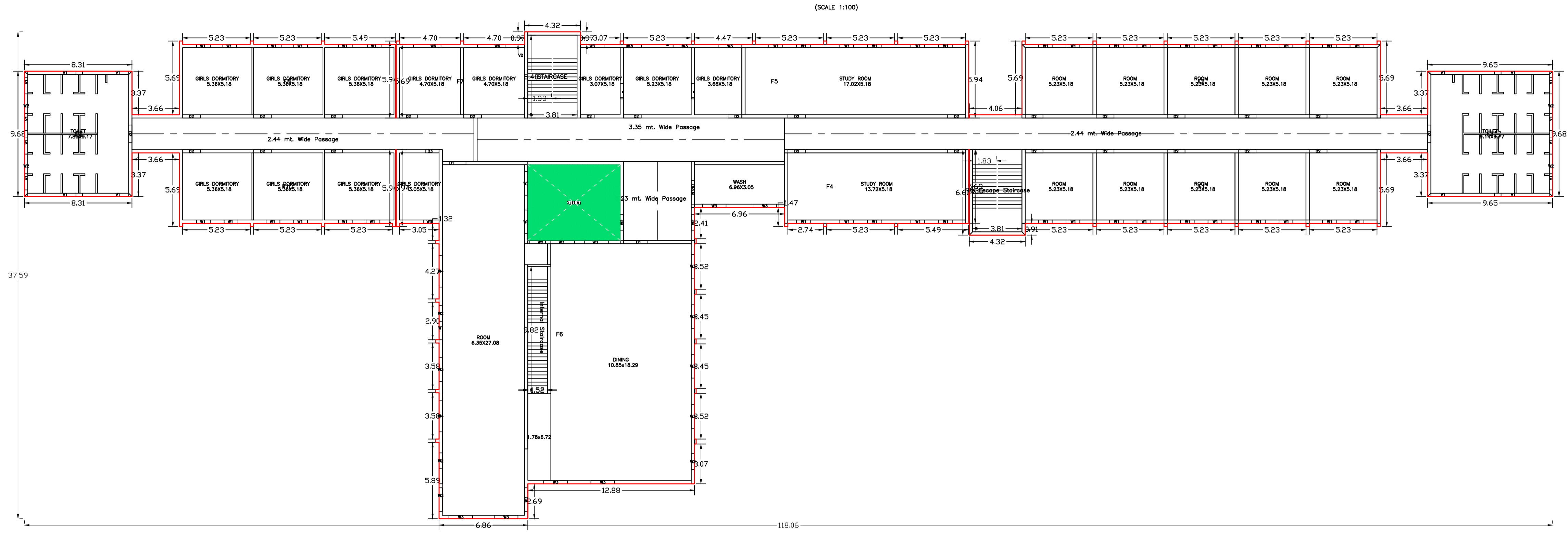
Building USE/SUBUSE Details

Building Name	Building Use	Building SubUse	Building Structure
A (HOSTEL)	Residential	Hostel	Non-Highrise

LTP NAME AND SIGNATURE	STRUCTURAL ENG'S NAME AND SIGNATURE	BUILDER NAME AND SIGNATURE	DIGITAL SIGNATURE
APURB MINZ SZP/ARC/0003/2021			

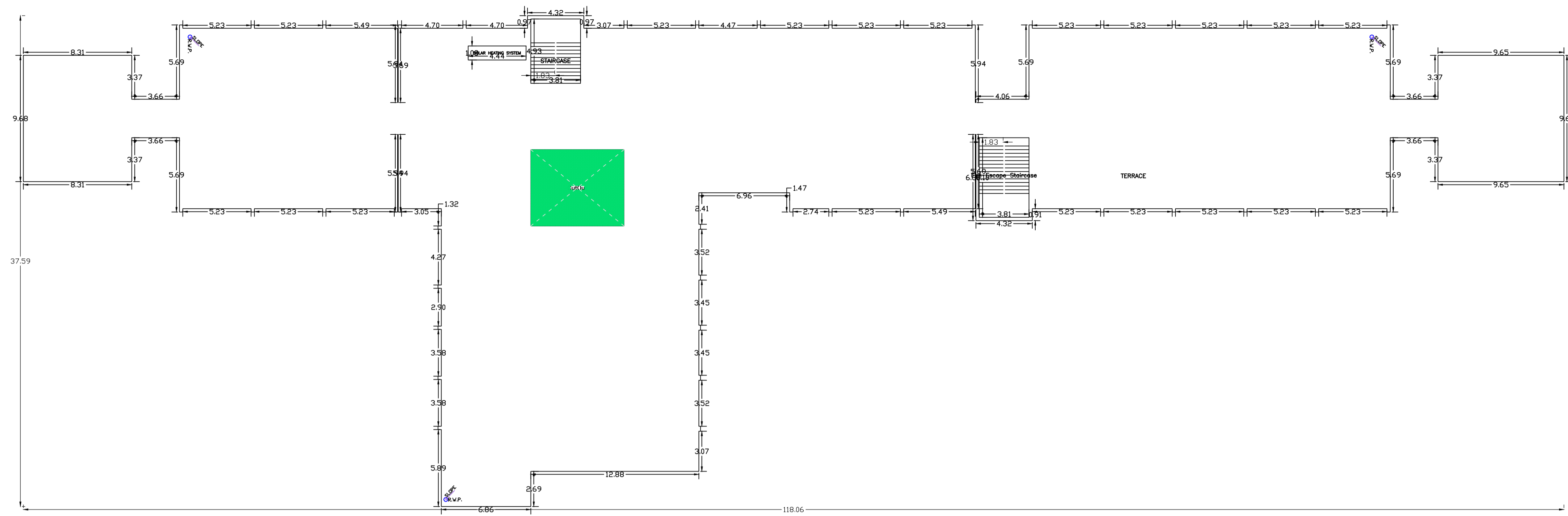
Proposal Basic Information

Proposal File No.	SZP/BI/0001/2023
Owner Name	Sister Flora Minz
Khata No	03
Plot No	621
Village Name	Siyandohar
Use	Residential
SubUse	Hostel



LTP NAME AND SIGNATURE	STRUCTURAL ENG'S NAME AND SIGNATURE	BUILDER NAME AND SIGNATURE	DIGITAL SIGNATURE
APURB MINZ SZP/ARC/0003/2021			

Proposal Basic Information	
Proposal File No.	SZP/BI/0001/2023
Owner Name	Sister Flora Minz
Khata No	03
Plot No	621
Village Name	Siyandohar
Use	Residential
SubUse	Hostel



TERRACE FLOOR PLAN
(SCALE 1:100)

Building :A (HOSTEL)

Floor Name	Gross Builtup Area	Deductions From Gross BUA(Area in Sq.mt.)		Total Built Up Area (Sq.mt.)	Deductions (Area in Sq.mt.)		Proposed FAR Area (Sq.mt.)	Total FAR Area (Sq.mt.)	Total Consumed Additional FAR Area (Sq.mt.)	Carpet Area other than Tenement
		Cutout			StairCase	Resi.				
Ground Floor	1871.81	41.70		1830.11	24.19		1805.92	1805.92	1805.92	1447.67
First Floor	1871.81	41.70		1830.11	24.19		1805.92	1805.92	1805.92	1462.88
Terrace Floor	0.00	0.00		0.00	0.00		0.00	0.00	0.00	0.00
Total :	3743.62	83.40		3660.22	48.38		3611.84	3611.84	3611.84	2910.55
Total Number of Same Buildings :	1									
Total :	3743.62	83.40		3660.22	48.38		3611.84	3611.84	3611.84	2911

SCHEDULE OF DOOR:

BUILDING NAME	NAME	LENGTH	HEIGHT	NOS
A (HOSTEL)	D4	0.76	2.10	06
A (HOSTEL)	D3	1.07	2.10	08
A (HOSTEL)	D2	1.07	2.10	02
A (HOSTEL)	OPEN	1.07	2.10	03
A (HOSTEL)	D2	1.37	2.10	50
A (HOSTEL)	OPEN	1.40	2.10	01
A (HOSTEL)	D5	1.52	2.10	02
A (HOSTEL)	OPEN	1.83	2.10	02
A (HOSTEL)	D1	1.83	2.10	03
A (HOSTEL)	FD7	2.44	2.10	02
A (HOSTEL)	OPEN	2.44	2.10	01
A (HOSTEL)	OPEN	3.18	2.10	01

SCHEDULE OF WINDOW/VENTILATION:

BUILDING NAME	NAME	LENGTH	HEIGHT	NOS
A (HOSTEL)	W3	0.46	1.20	04
A (HOSTEL)	V2	0.61	0.60	06
A (HOSTEL)	W5	0.91	1.20	06
A (HOSTEL)	W1	1.04	1.20	02
A (HOSTEL)	W1	1.07	1.20	74
A (HOSTEL)	W2	1.22	1.20	14
A (HOSTEL)	W3	1.22	1.20	01
A (HOSTEL)	V1	1.24	0.60	06
A (HOSTEL)	V1	1.31	0.60	06
A (HOSTEL)	W2	1.52	1.20	06
A (HOSTEL)	W3	1.83	1.20	43
A (HOSTEL)	W6	2.13	1.20	02
A (HOSTEL)	W4	2.44	1.20	04
A (HOSTEL)	V1	3.57	0.60	02
A (HOSTEL)	V1	3.72	0.60	06
A (HOSTEL)	V1	4.91	0.60	04

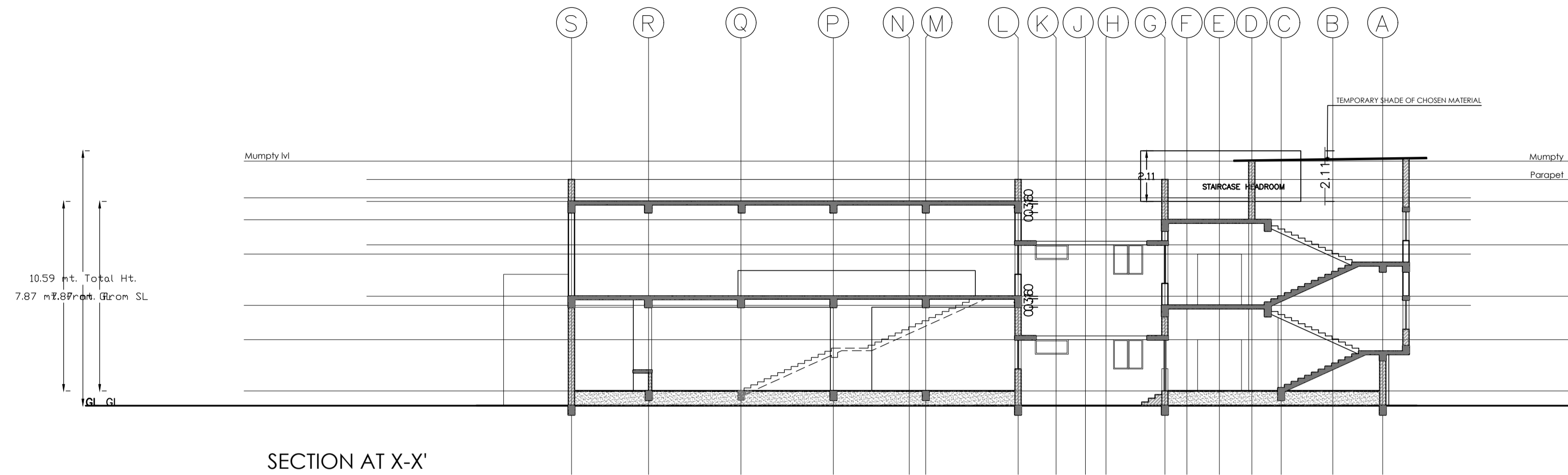
UnitBUA Table for Building :A (HOSTEL)

FLOOR	Name	UnitBUA Type	UnitBUA Area	Carpet Area	No. of Rooms	No. of Tenement
-------	------	--------------	--------------	-------------	--------------	-----------------

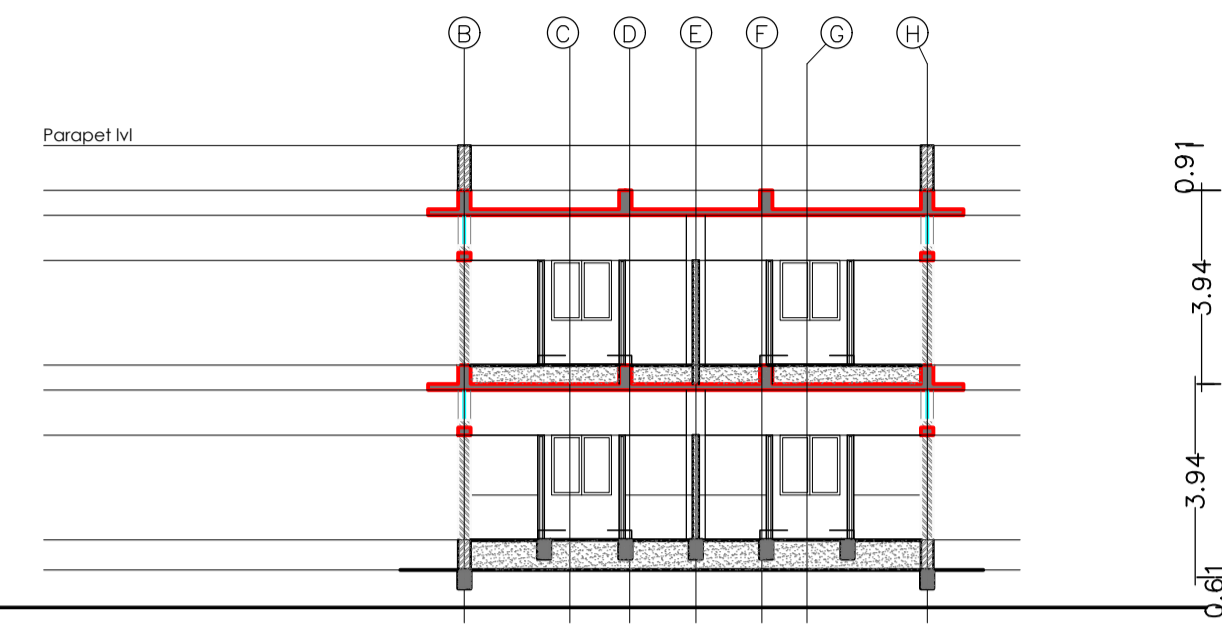
LTP NAME AND SIGNATURE	STRUCTURAL ENG'S NAME AND SIGNATURE	BUILDER NAME AND SIGNATURE	DIGITAL SIGNATURE
APURB MINZ SZP/ARC/0003/2021			

Proposal Basic Information

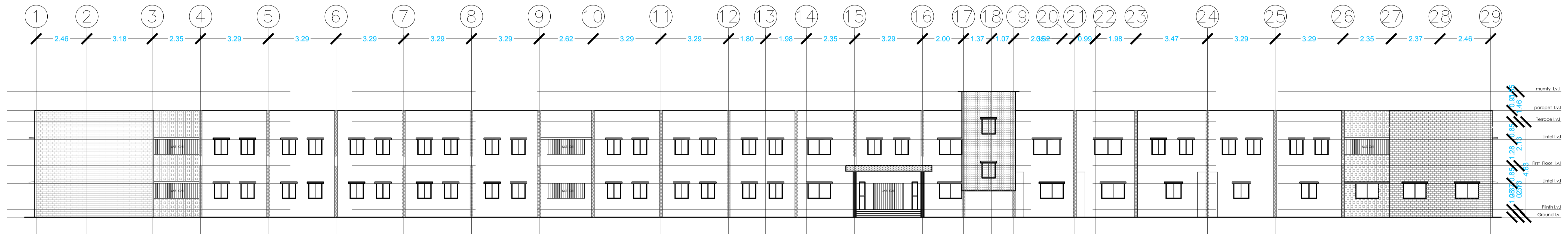
Proposal File No.	SZP/BP/0001/2023
Owner Name	Sister Flora Minz
Khata No	03
Plot No	621
Village Name	Siyandohar
Use	Residential
SubUse	Hostel



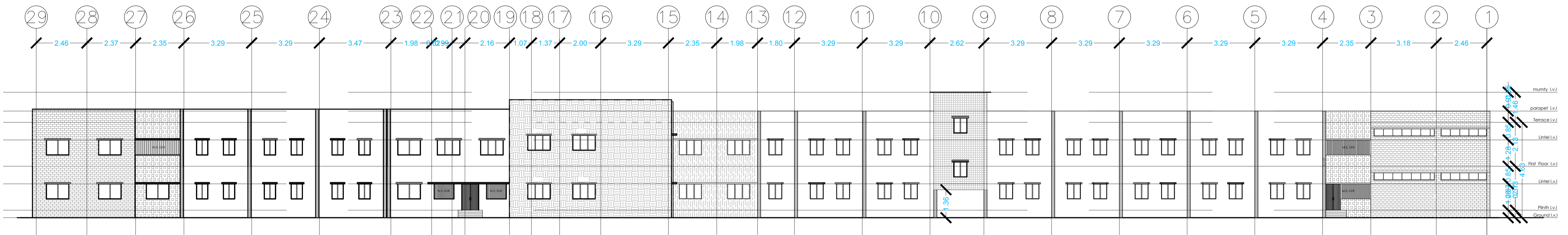
SECTION AT X-X'



SECTION AT Y-Y'



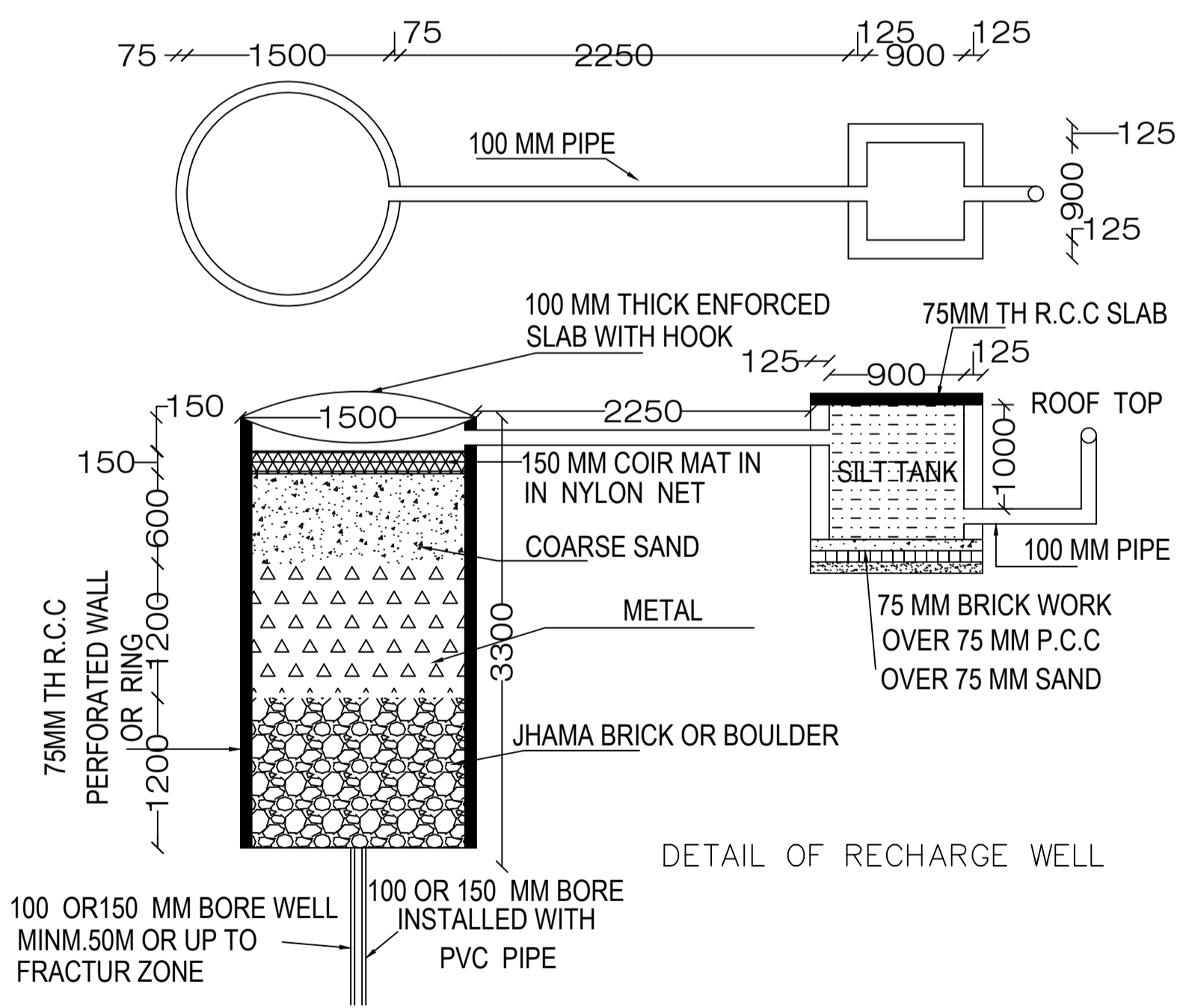
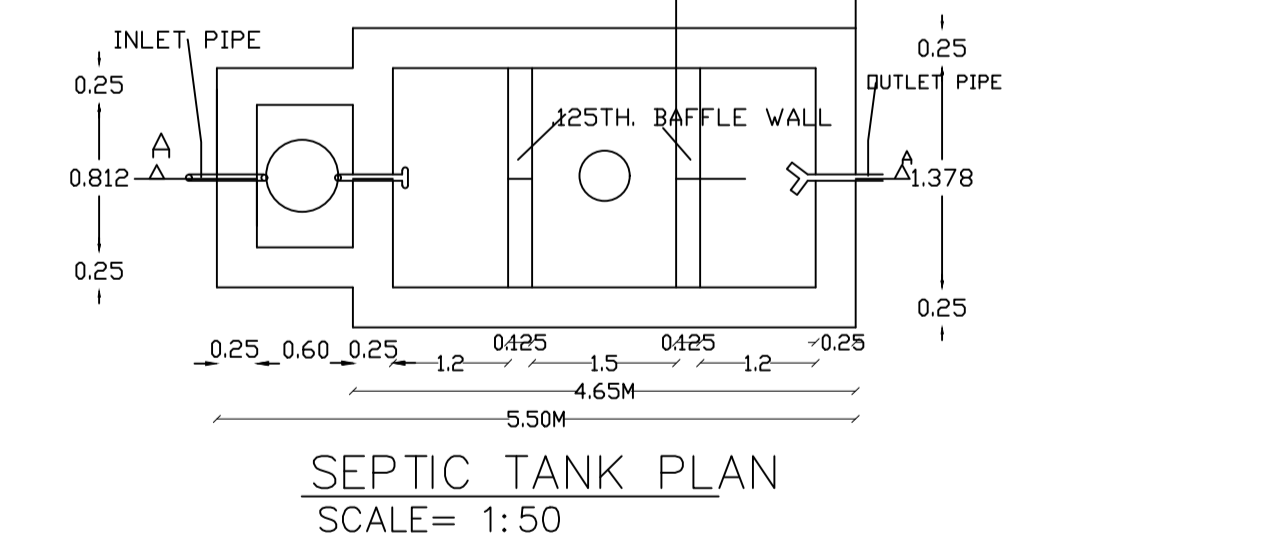
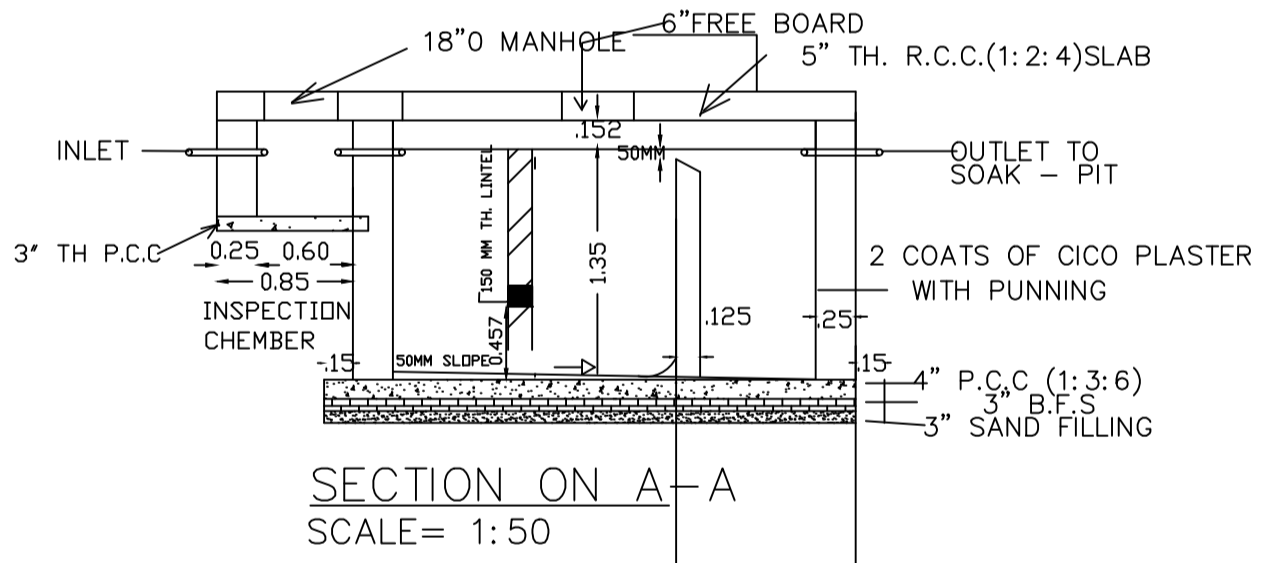
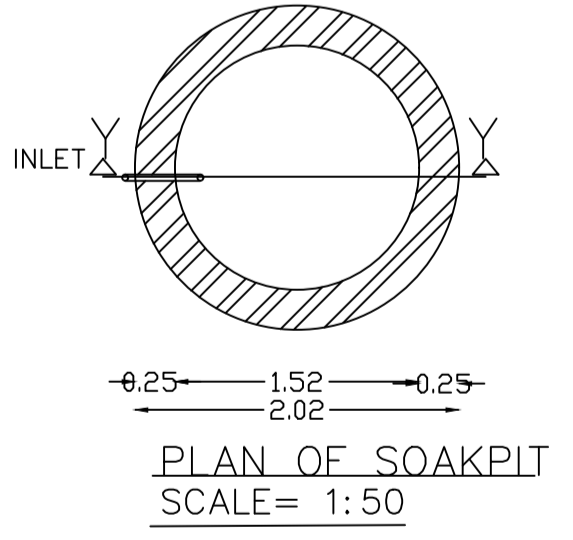
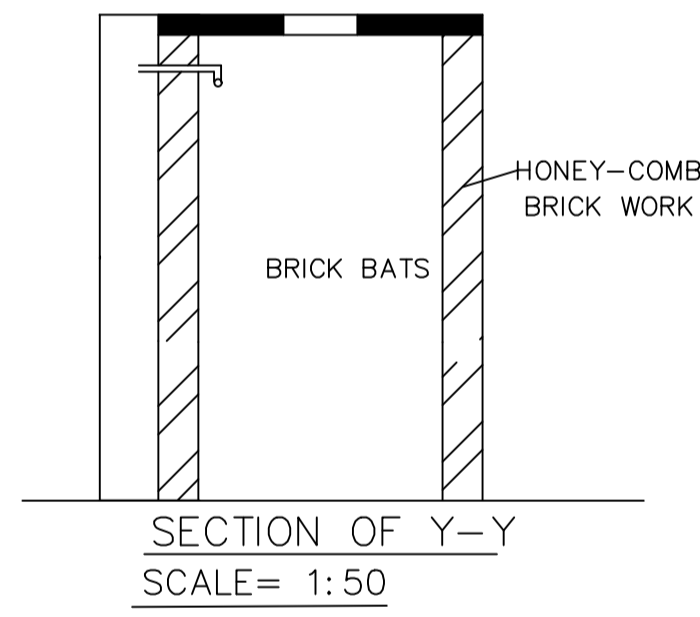
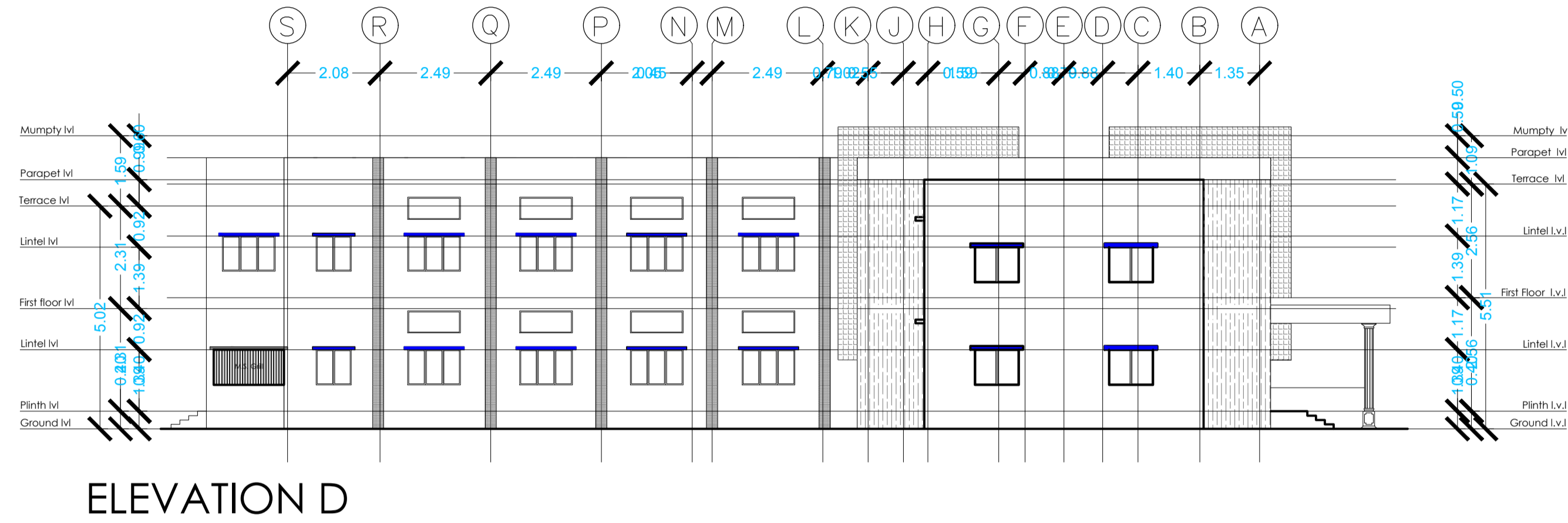
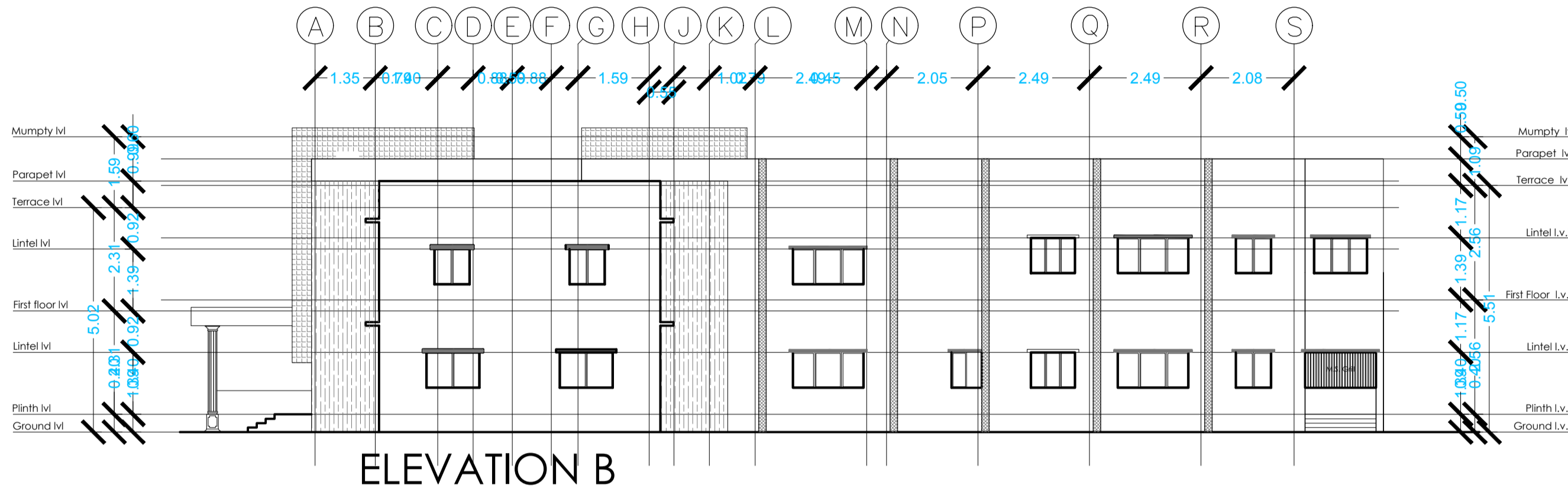
ELEVATION A



ELEVATION C

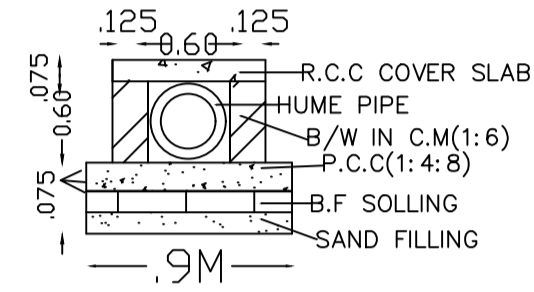
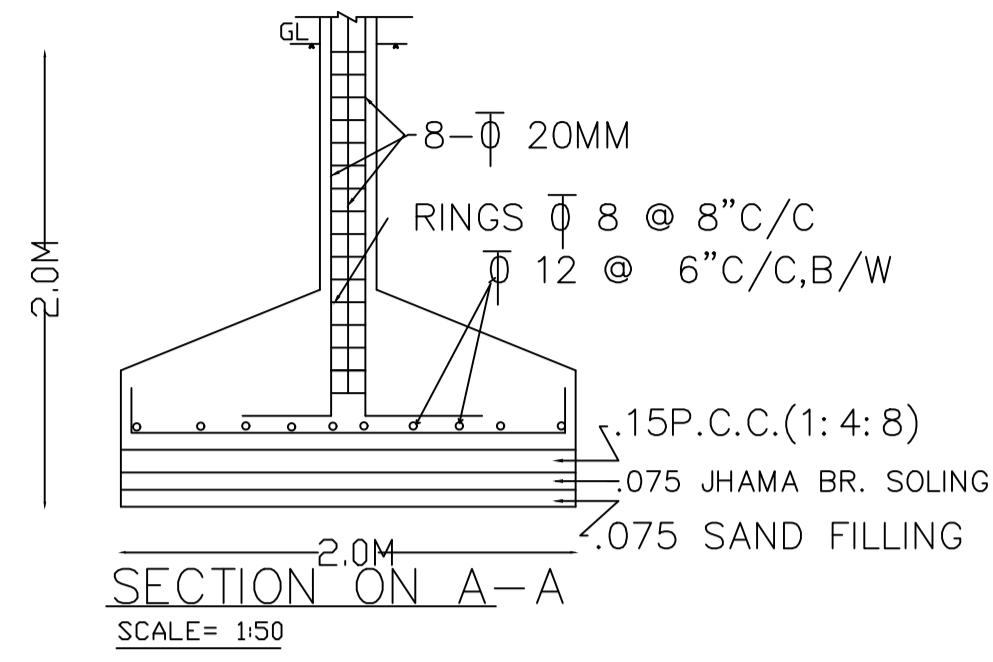
LTP NAME AND SIGNATURE	STRUCTURAL ENG'S NAME AND SIGNATURE	BUILDER NAME AND SIGNATURE	DIGITAL SIGNATURE
APURB MINZ SZP/ARC/0003/2021			

Proposal Basic Information	
Proposal File No.	SZP/BP/0001/2023
Owner Name	Sister Flora Minz
Khata No	03
Plot No	621
Village Name	Siyandohar
Use	Residential
SubUse	Hostel



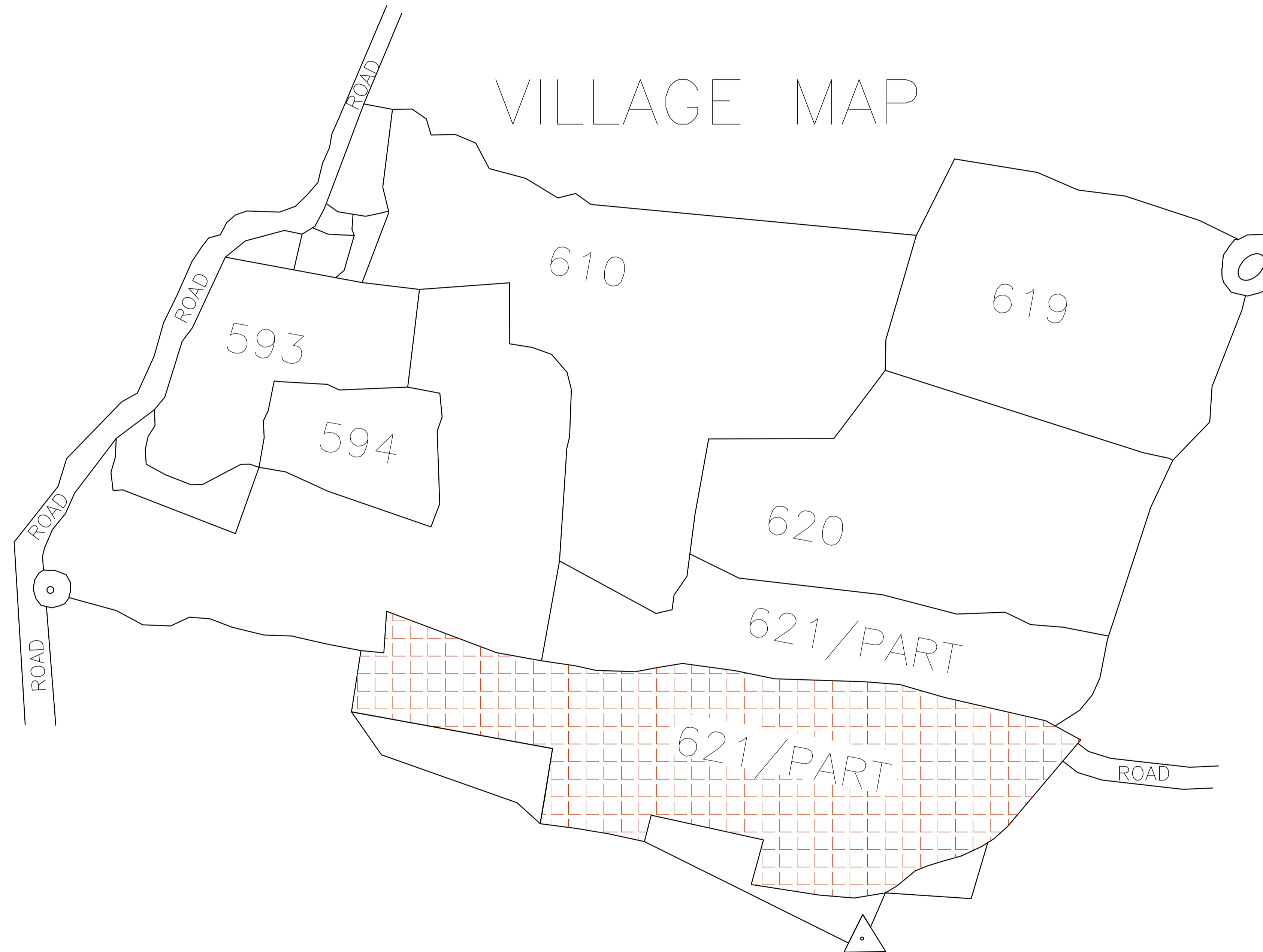
LTP NAME AND SIGNATURE	STRUCTURAL ENG'S NAME AND SIGNATURE	BUILDER NAME AND SIGNATURE	DIGITAL SIGNATURE
APURB MINZ SZP/ARC/0003/2021			

Proposal Basic Information	
Proposal File No.	SZP/BI/0001/2023
Owner Name	Sister Flora Minz
Khata No	03
Plot No	621
Village Name	Siyandohar
Use	Residential
SubUse	Hostel



SPECIFICATION OF DRAIN

1. FOUNDATION.
2. SAND FILLING.
3. BRICK SOLING.
4. P.C.C (1:4:8).
5. B/W IN C.M (1:6)..
6. R.C.C (1:2:4) COVER SLAB.



LTP NAME AND SIGNATURE	STRUCTURAL ENG'S NAME AND SIGNATURE	BUILDER NAME AND SIGNATURE	DIGITAL SIGNATURE
APURB MINZ SZPIARC/0003/2021			