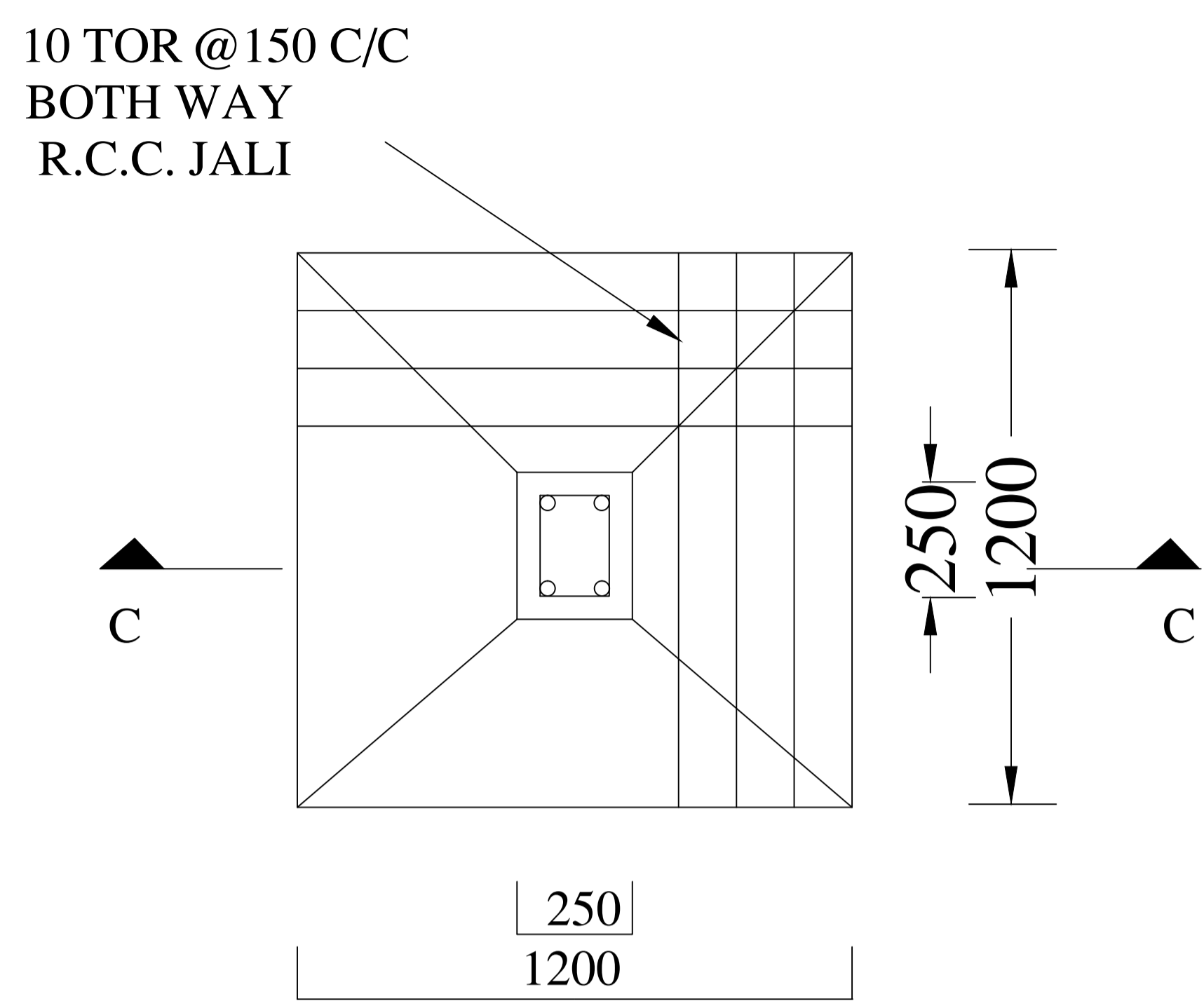
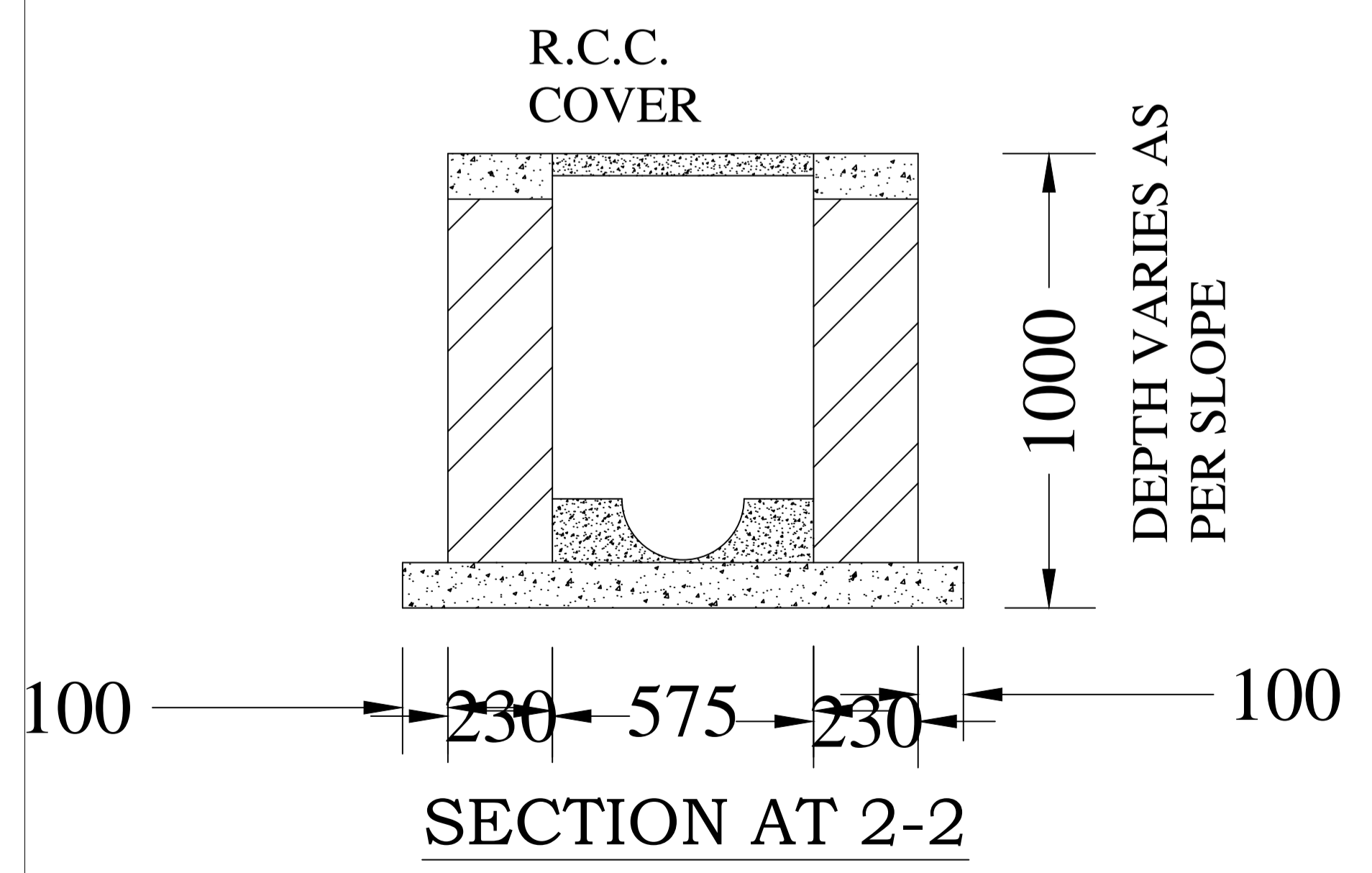


**SECTION -CC**

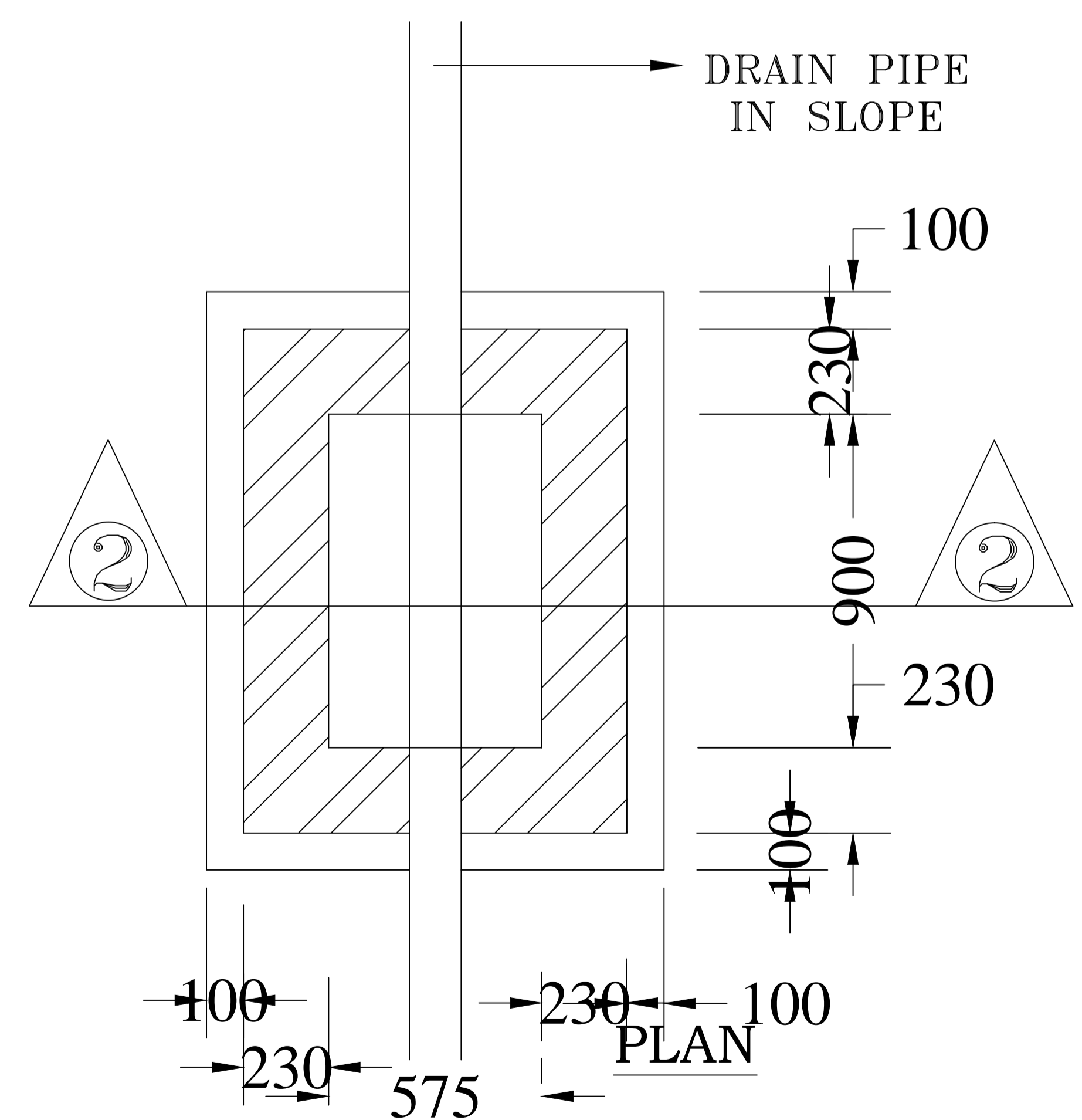


PLAN  
**DETAIL OF FOUNDATION**



SECTION AT 2-2

**STRUCTURE DETAIL**



**I.C. DETAILS**