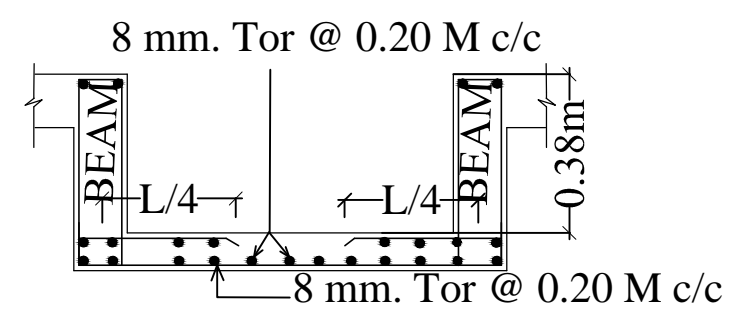
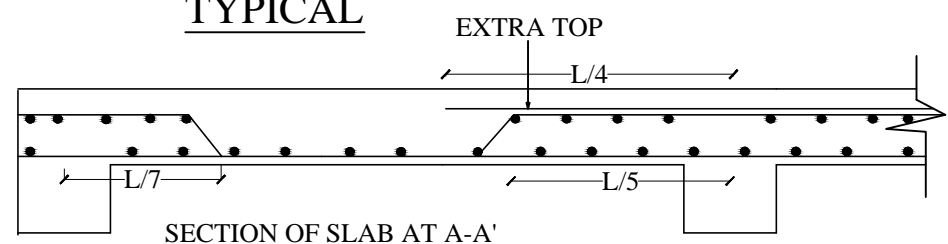
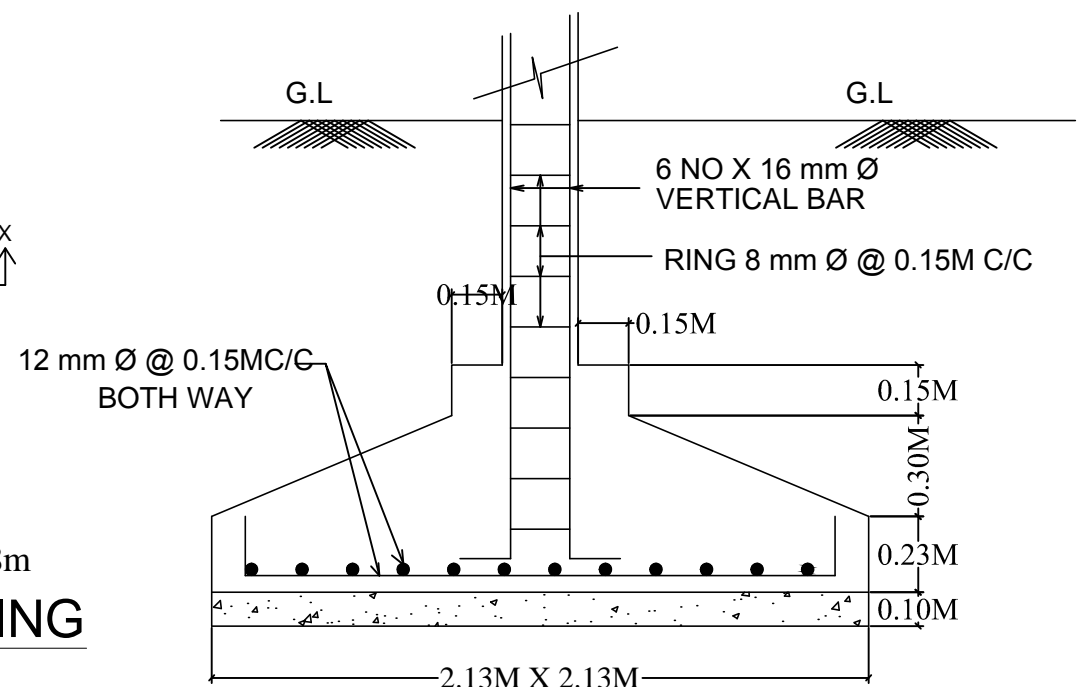
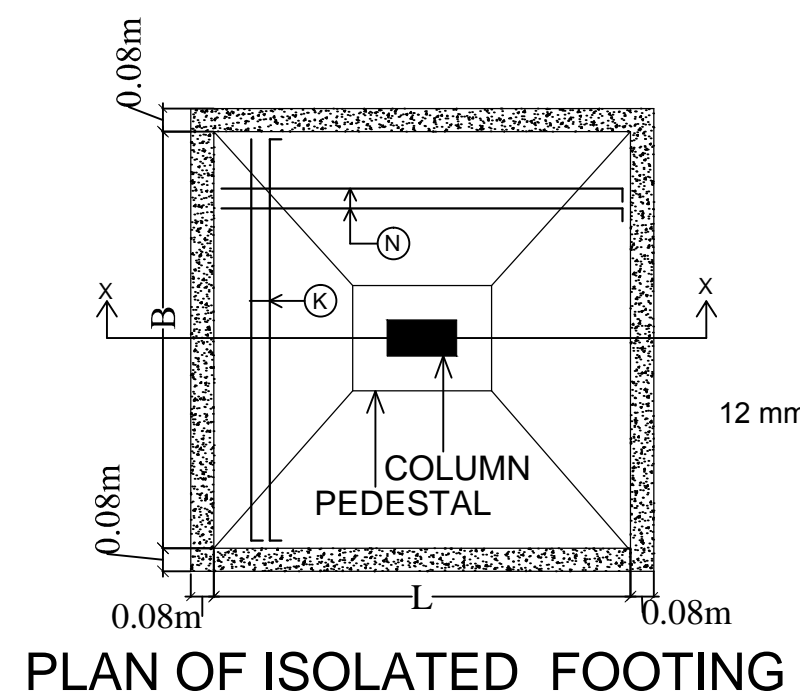


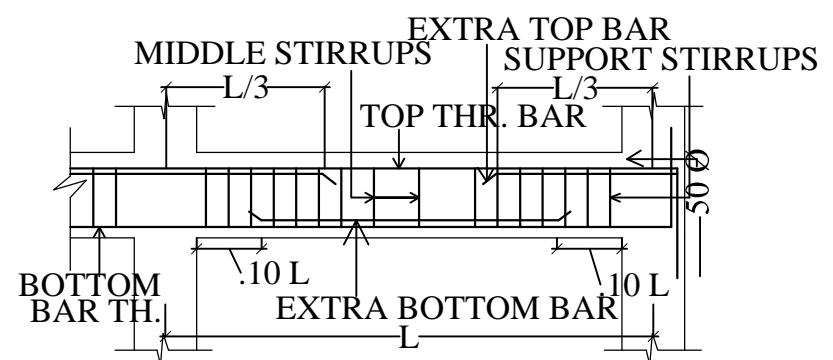
TYPICAL



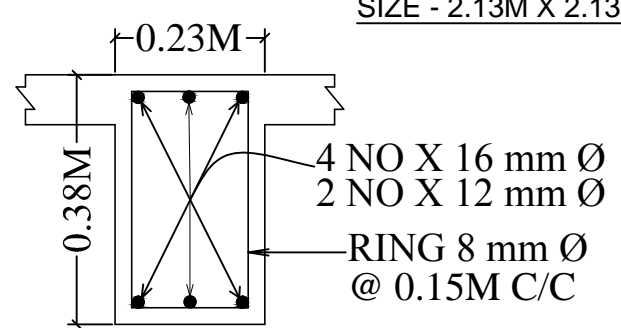
THICKNESS OF SLAB = 0.11m



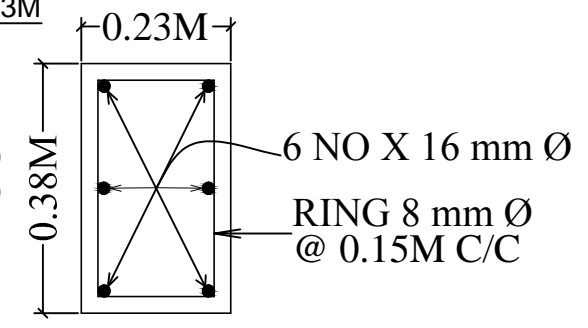
SECTION OF FOOTING .
SIZE - 2.13M X 2.13M



SECTION OF TYPICAL FLOOR BEAM



C.S. OF ROOF BEAM
SIZE - 0.23M X 0.38M



C.S. OF COLUMN .
SIZE - 0.23M X 0.38M