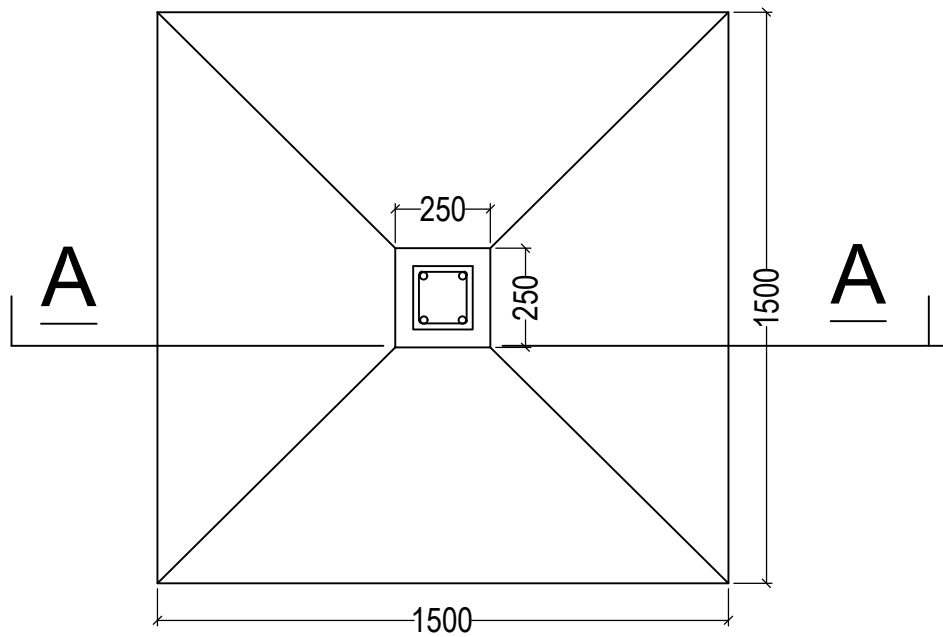


SECTION A-A



DETAIL OF FOUNDATION
SCALE - N.T.S.