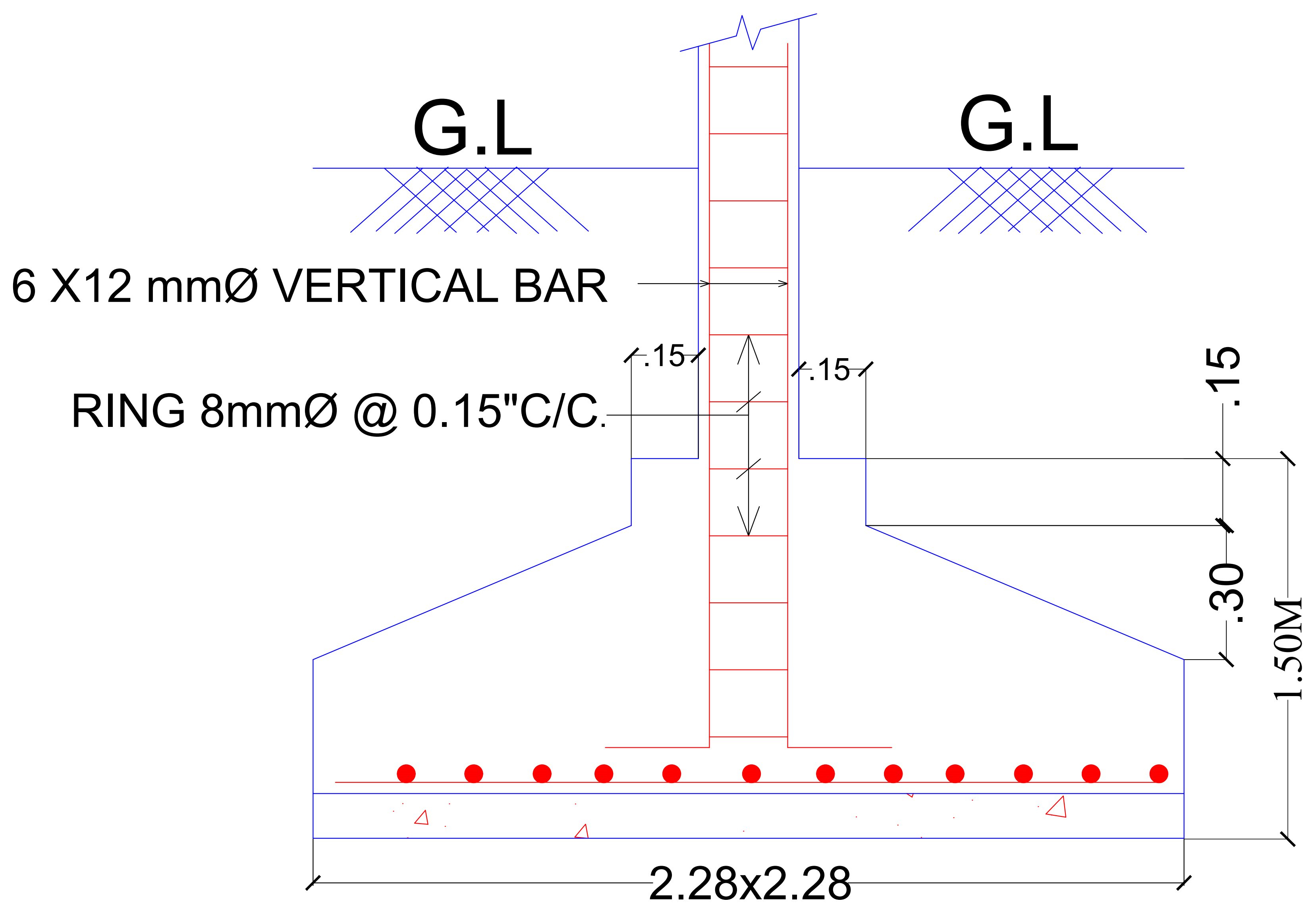


**SECTION OF COLUMN. - C1**



**SECTION OF FOOTING - F1**