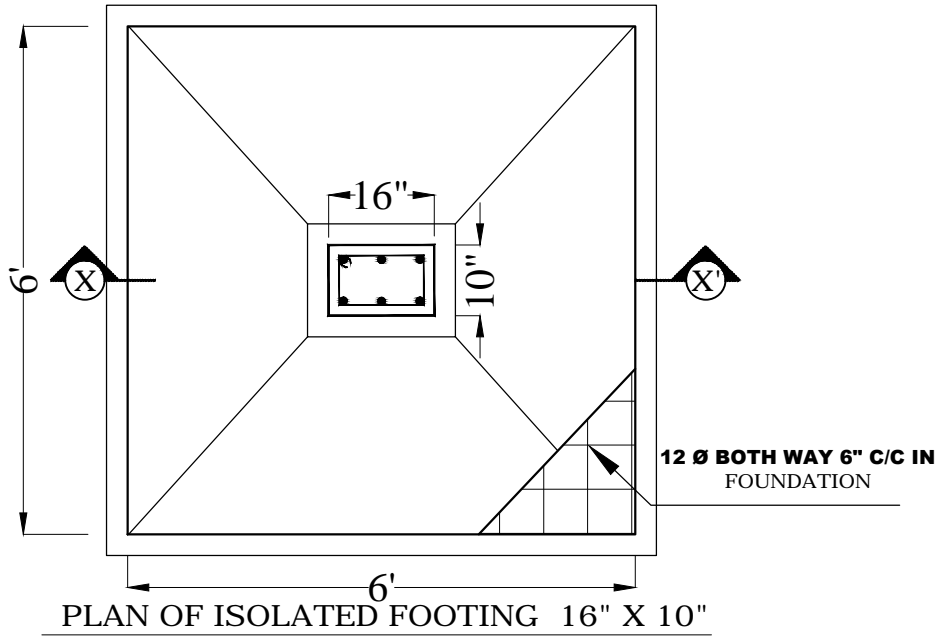


SECTION AT (XX') OF BELOW FOOTING-



PLAN OF ISOLATED FOOTING 16" X 10"

**DETAILS OF ISOLATED FOOTING OF COLUMN SIZE 15"X10"**

**SCALE- 1"=4'**