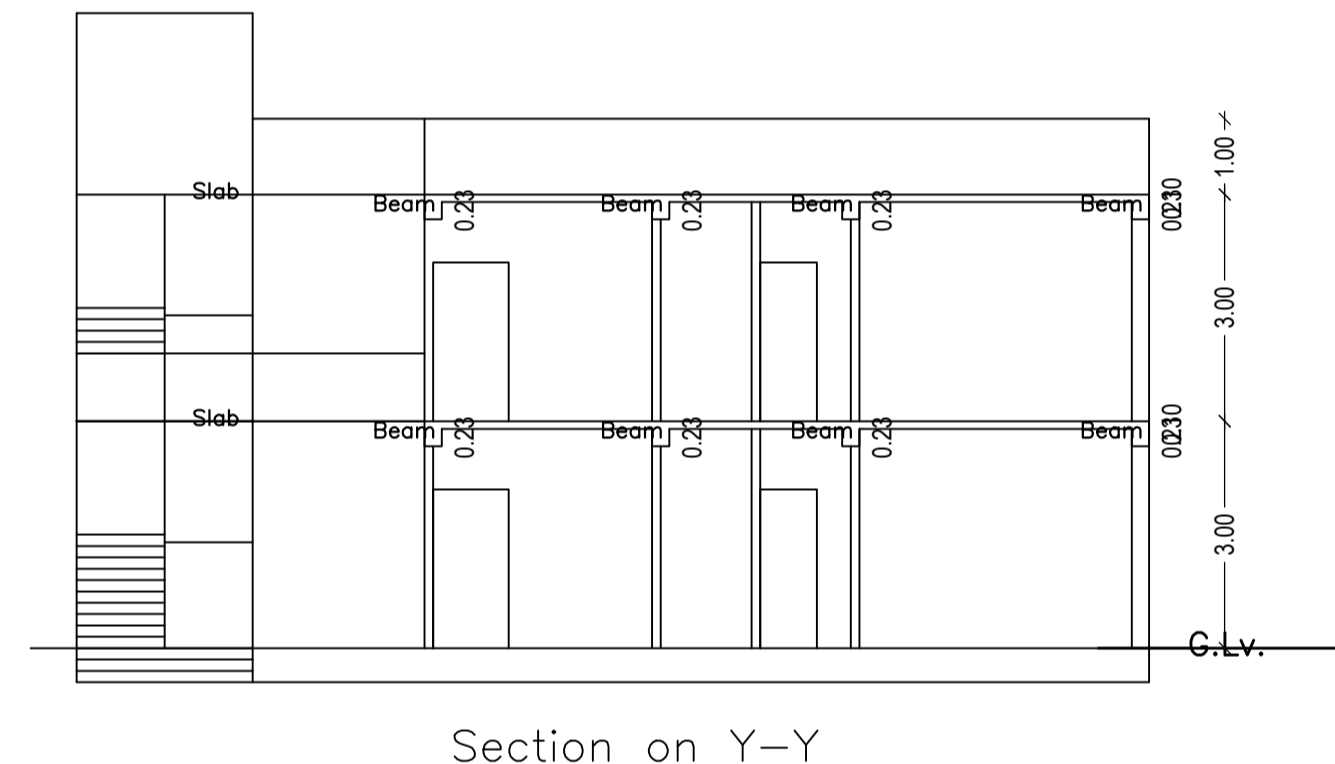
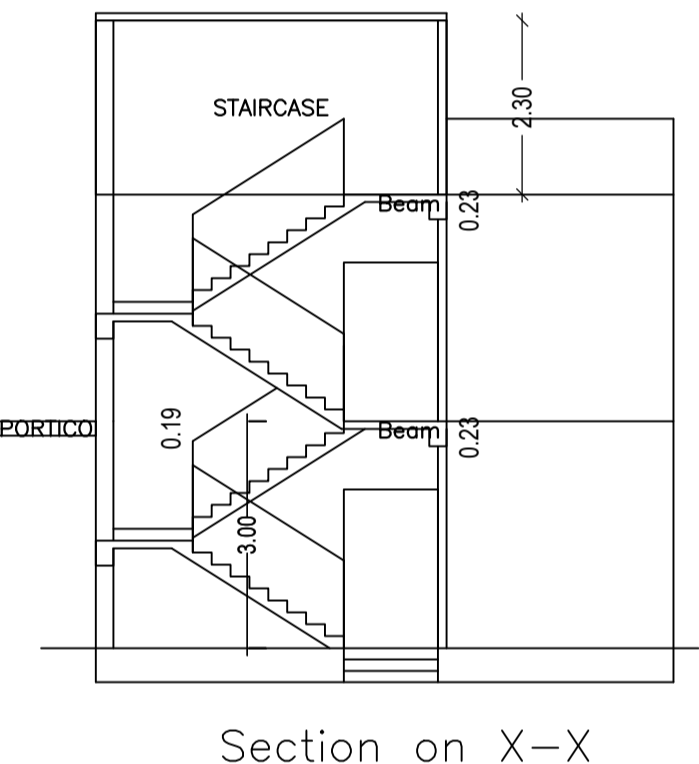
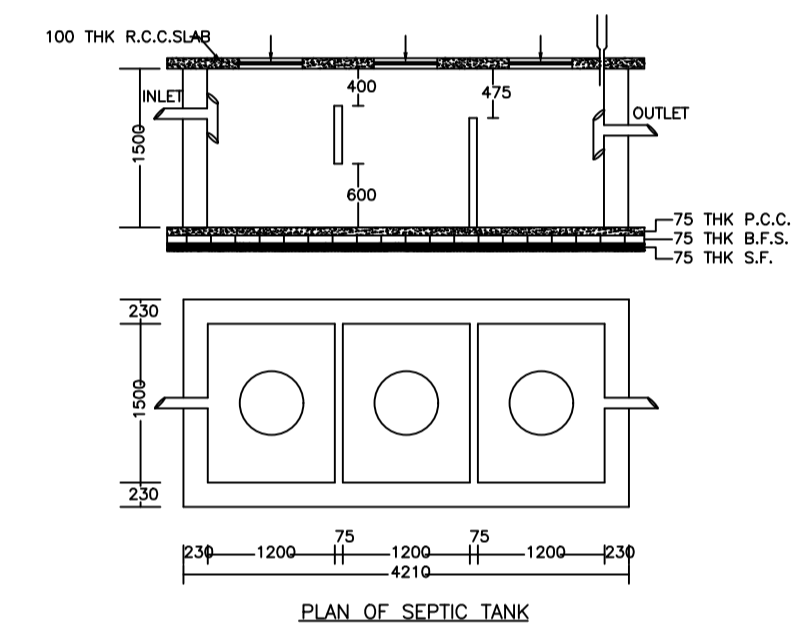
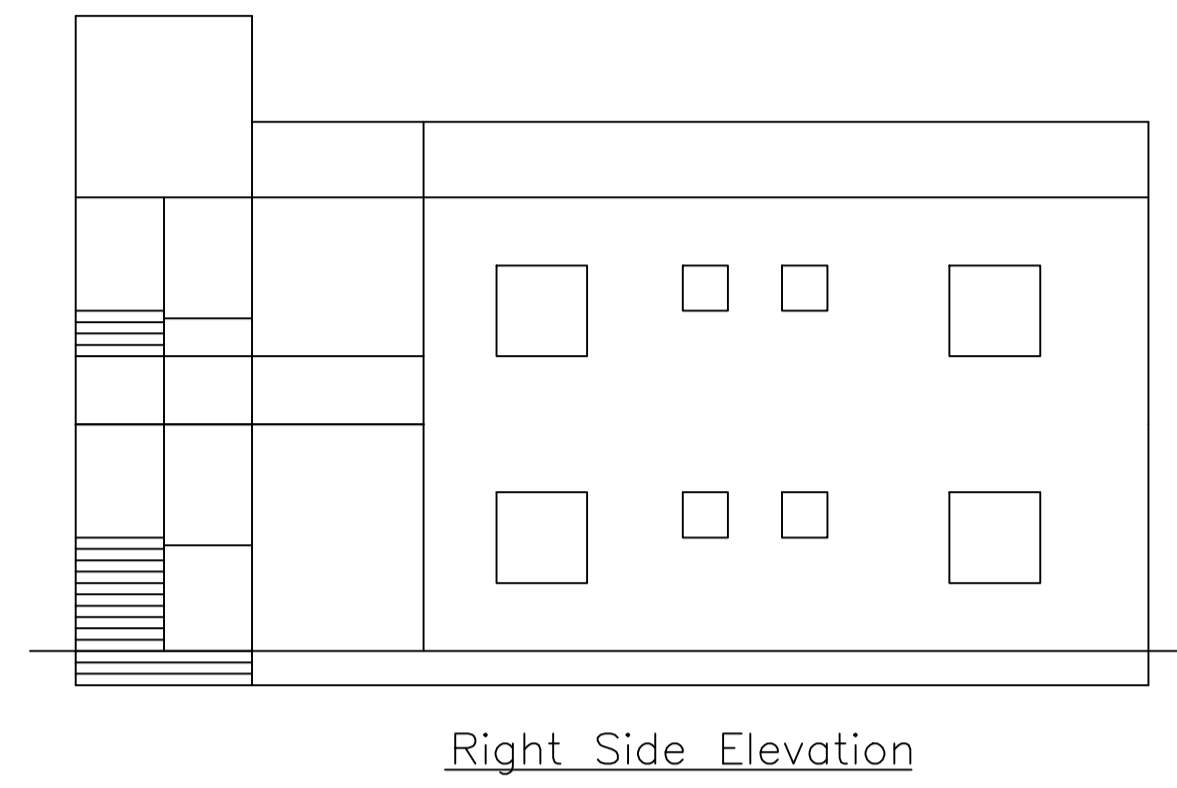
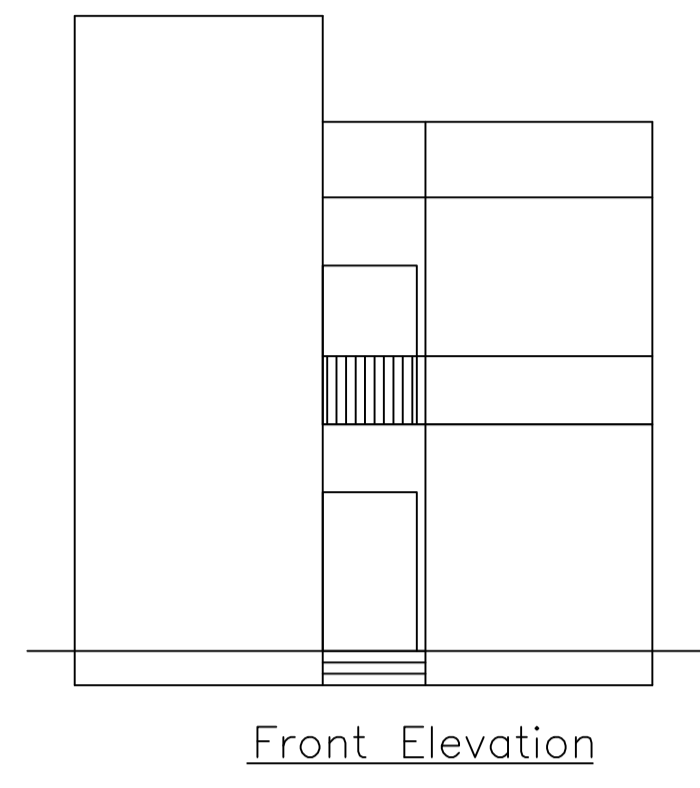
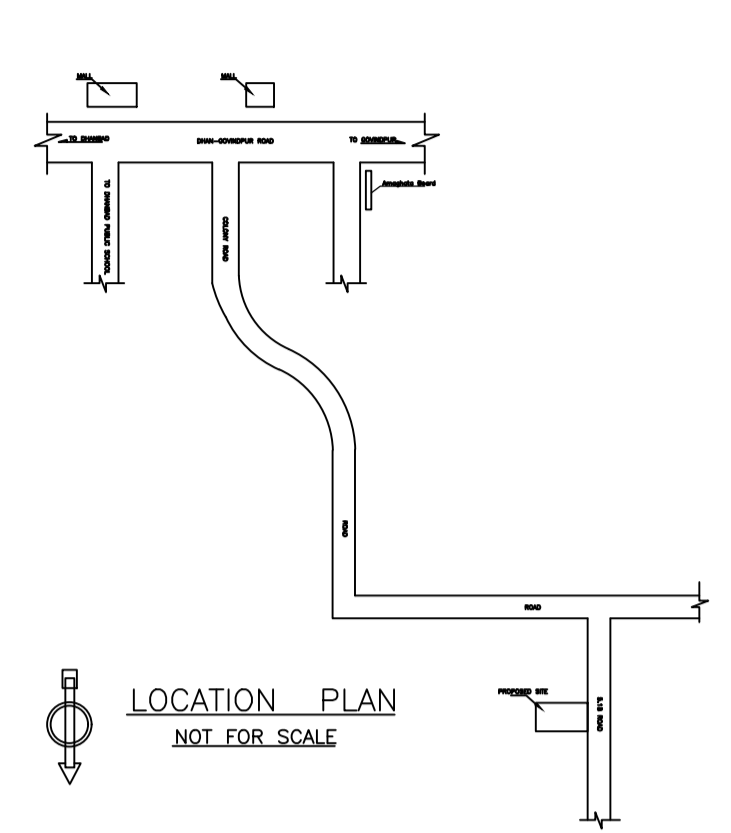
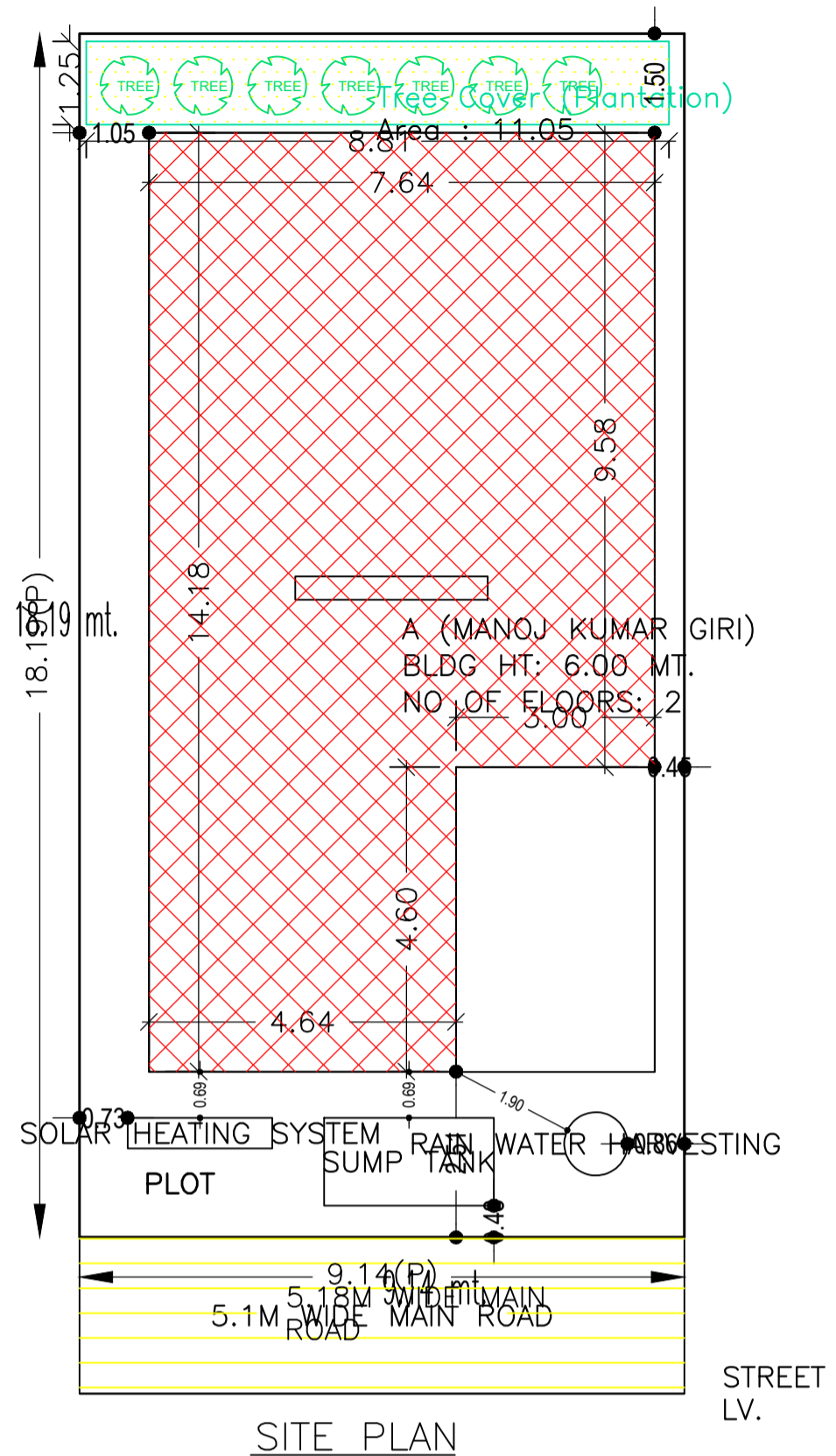
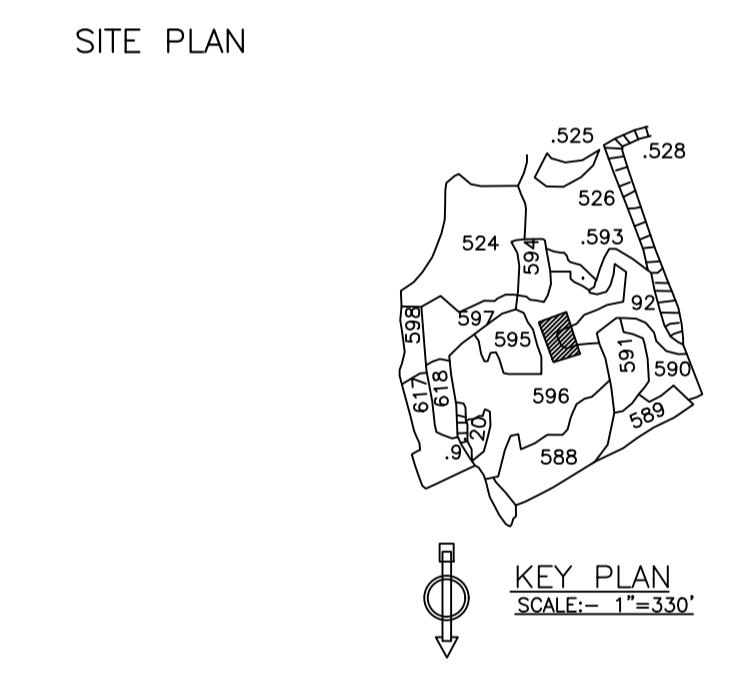


Proposal Basic Information	
Proposal File No.	MADA/BP/0061/2020
Owner Name	MANOJ KUMAR GIRI, NAITIK KUMAR GIRI, NAVYA KUMAR GIRI
Khata No	OLD - 78, NEW - 15
Plot No	OLD - 1662, NEW - 1216
Village Name	Amaghata
Use	Residential
SubUse	Bungalow/ Dwelling / Non Apartment



AREA STATEMENT MINERAL AREA DEVELOPMENT AUTHORITY		VERSION NO. : 1.0.46
PROJECT DETAIL:		VERSION DATE: 22/06/2020
Region: JHARKHAND URBAN LOCAL BODIES	Plot Use: Residential	
District: DHANBAD	Plot SubUse: Bungalow/ Dwelling / Non Apartment	
Authority: MINERAL AREA DEVELOPMENT AUTHORITY	PlotNearbyReligiousStructure: NA	
Inward No: MADA/BP/0061/2020	Plot/SubPlot No: OLD - 1662, NEW - 1216	
Application Type: General Proposal	North: Plot No. - PART OF THIS PLOT	
Project Type: Building Permission	South: Plot No. - PRITU KUMARI	
Nature of Development: New	East: Road Width - 5.18	
Location of Development Area: Old Area	West: Plot No. - PART OF THIS PLOT	
AREA DETAILS:		SQ.MT.
AREA OF PLOT (Minimum)	(A)	166.23
NET AREA OF PLOT(Gross Plot Area - Deduction from Gross Plot area)	(A-Deductions)	166.23
Deduction for Balance Plot Area(from Gross Plot Area)		
Common Plot		11.05
Total		11.05
BALANCE AREA OF PLOT(Net Plot Area - Recreational/Amenity spaces)	(A-Deductions)	155.18
PLOT AREA FOR COVERAGE(Net Plot Area)	(A-Deductions)	166.23
Plot Area for FAR (Net Plot Area + RoadWidening Area)	(A-Deductions)	166.23
COVERAGE CHECK		
Permissible Coverage area (70.00 %)		116.36
Proposed Coverage Area (56.88 %)		94.55
Total Prop. Coverage Area (56.88 %)		94.55
Balance coverage area (13.12 %)		21.81
FAR CHECK		
Perm. FAR Area (1.80)		299.21
Total Perm. FAR area		299.21
Residential FAR		189.10
Proposed FAR Area		189.10
Total Proposed FAR Area		189.10
Consumed FAR (Factor)		1.14
Balance FAR Area		110.11
BUILT UP AREA CHECK		
Total Proposed BuiltUp Area		202.90
ARCHITECT (Regd)	MANOJ KUMAR SINGH	
ENGINEER (Regd)		
SUPERVISOR (Regd)		
OWNER (Regd)	MANOJ KUMAR GIRI, NAITIK KUMAR GIRI, NAVYA KUMAR GIRI	
DEVELOPMENT AUTHORITY	LOCAL BODY	

COLOR INDEX	
PLOT BOUNDARY	Black
ABUTTING ROAD	Green
PROPOSED CONSTRUCTION	Red
COMMON PLOT	Yellow
ROAD WIDENING AREA	Blue
EXISTING (To be retained)	White
EXISTING (To be demolished)	Orange



Building USE/SUBUSE Details

Building Name	Building Use	Building SubUse	Building Structure
A (MANOJ KUMAR GIRI)	Residential	Residential Bldg/Apartment	Non-Highrise

UnitBUA Table for Building :A (MANOJ KUMAR GIRI)

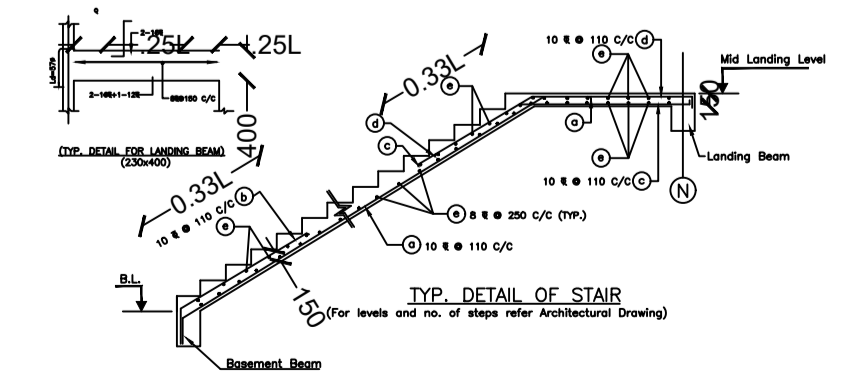
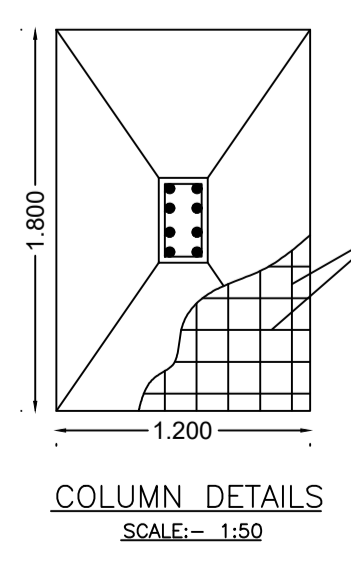
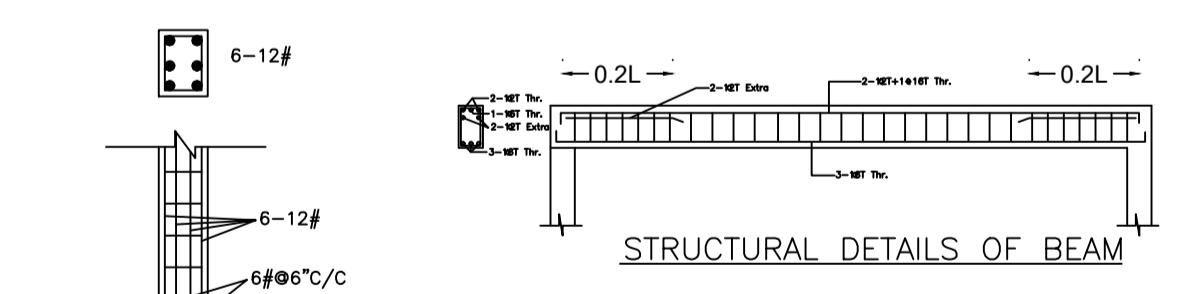
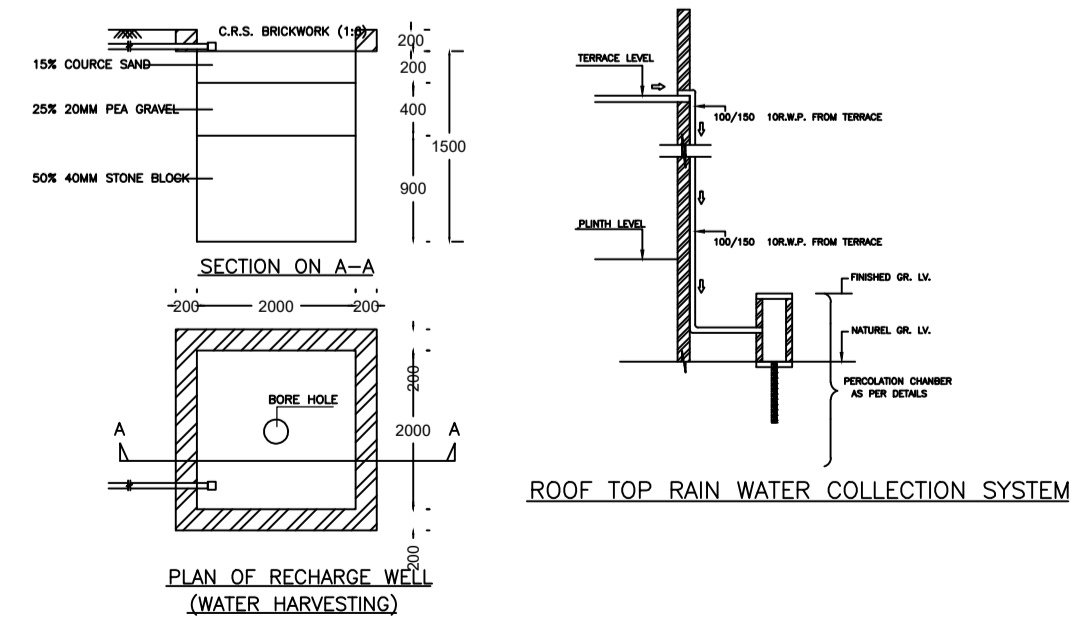
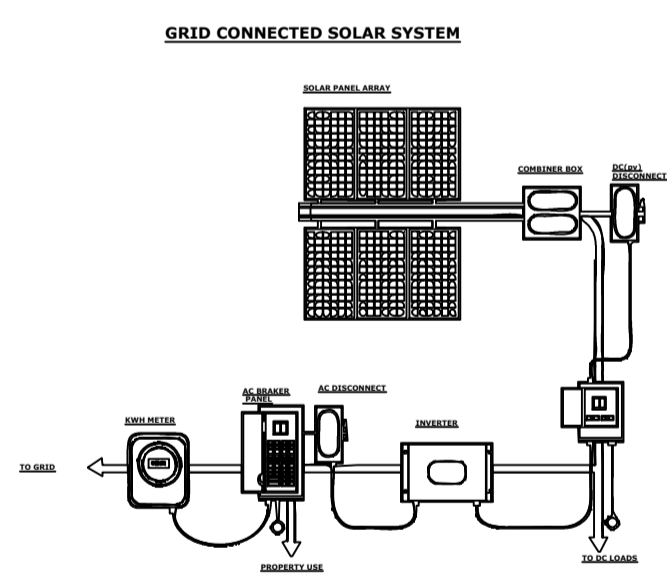
FLOOR	Name	UnitBUA Type	UnitBUA Area	Carpet Area	No. of Rooms	No. of Tenement
GROUND FLOOR PLAN	SPLIT 1	FLAT	189.10	188.89	8	1
FIRST FLOOR PLAN	SPLIT 1	FLAT	0.00	0.00	8	0
Total:			189.10	188.89	16	1

Building :A (MANOJ KUMAR GIRI)

Floor Name	Total Built Up Area (Sq.mt.)	Deductions (Area in Sq.mt.) Archi.Proj.	Proposed FAR Area (Sq.mt.) Resi.	Total FAR Area (Sq.mt.)	Total Consumed Additional FAR Area (Sq.mt.)	Trmt (No.)
Ground Floor	108.35	13.80	94.55	94.55	94.55	01
First Floor	94.55	0.00	94.55	94.55	94.55	00
Terrace Floor	0.00	0.00	0.00	0.00	0.00	00
Total :	202.90	13.80	189.10	189.10	189.10	01
Total Number of Same Buildings	1					
Total :	202.90	13.80	189.10	189.10	189.10	01

FAR & Tenement Details (Table 4c-1)

Building	No. of Same Bldg	Total Built Up Area (Sq.mt.)	Deductions (Area in Sq.mt.) Archi.Proj.	Proposed FAR Area (Sq.mt.) Resi.	Total FAR Area (Sq.mt.)	Total Consumed Additional FAR Area (Sq.mt.)	Trmt (No.)
A (MANOJ KUMAR GIRI)	1	202.90	13.80	189.10	189.10	189.10	01
Grand Total :	1	202.90	13.80	189.10	189.10	189.10	01



Buildingwise Floor FAR Details

Floor Name	Building Name A (MANOJ KUMAR GIRI)		Total	
	Proposed Built Up Area (Sq.mt.)	Proposed FAR Area (Sq.mt.)	Total Proposed Built Up Area (Sq.mt.)	Total FAR Area (Sq.mt.)
Ground Floor	108.35	94.55	108.35	94.55
First Floor	94.55	94.55	94.55	94.55
Terrace Floor	0.00	0.00	0.00	0.00
Total :	202.90	189.10	202.90	189.10

SCHEDULE OF DOOR:

BUILDING NAME	NAME	LENGTH	HEIGHT	NOS
A (MANOJ KUMAR GIRI)	D2	0.75	2.10	06
A (MANOJ KUMAR GIRI)	D1	0.90	2.10	02
A (MANOJ KUMAR GIRI)	D	1.00	2.10	08

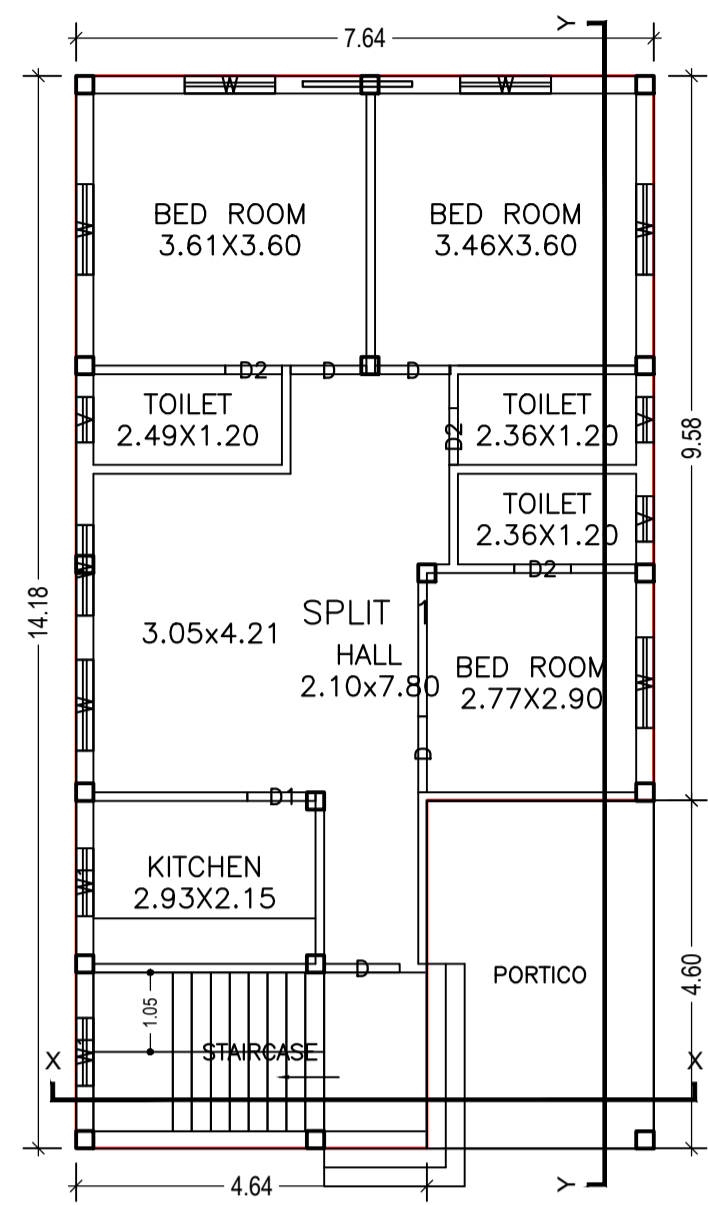
SCHEDULE OF WINDOW/VENTILATION:

BUILDING NAME	NAME	LENGTH	HEIGHT	NOS
A (MANOJ KUMAR GIRI)	V	0.60	0.60	06
A (MANOJ KUMAR GIRI)	W1	0.90	1.20	04
A (MANOJ KUMAR GIRI)	W	1.20	1.20	14

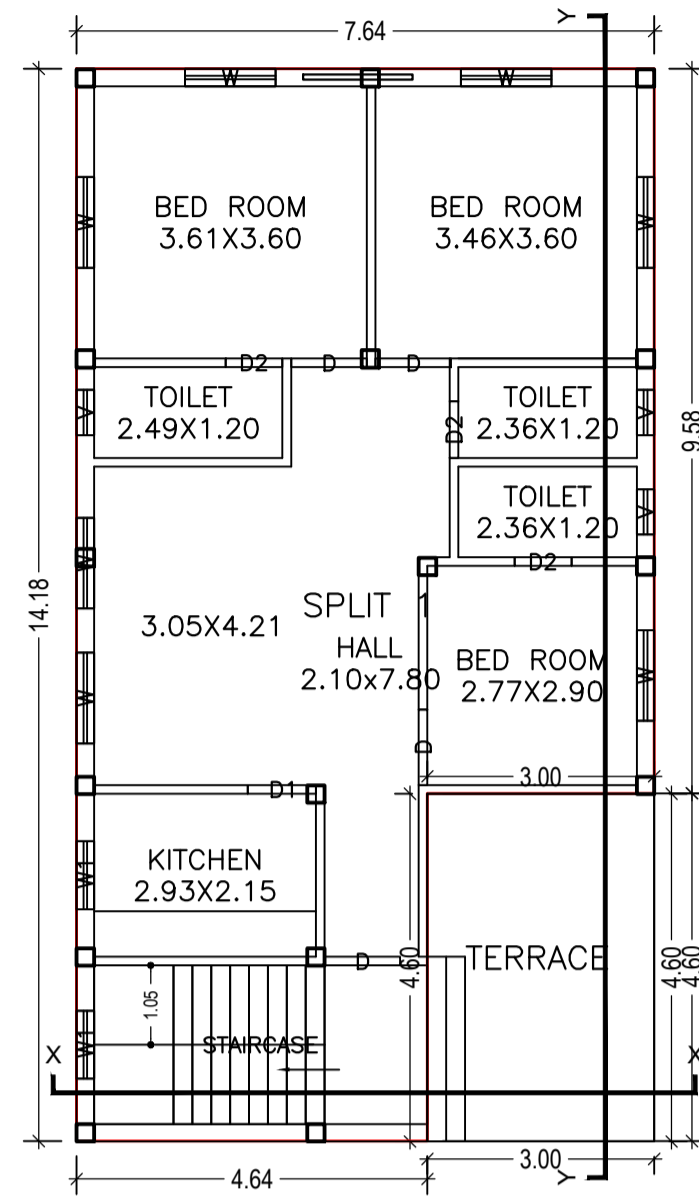
LTP NAME AND SIGNATURE	STRUCTURAL ENG'S NAME AND SIGNATURE	BUILDER NAME AND SIGNATURE	DIGITAL SIGNATURE
MANOJ KUMAR SINGH MADA/DFTMN/0023/2019			

Proposal Basic Information

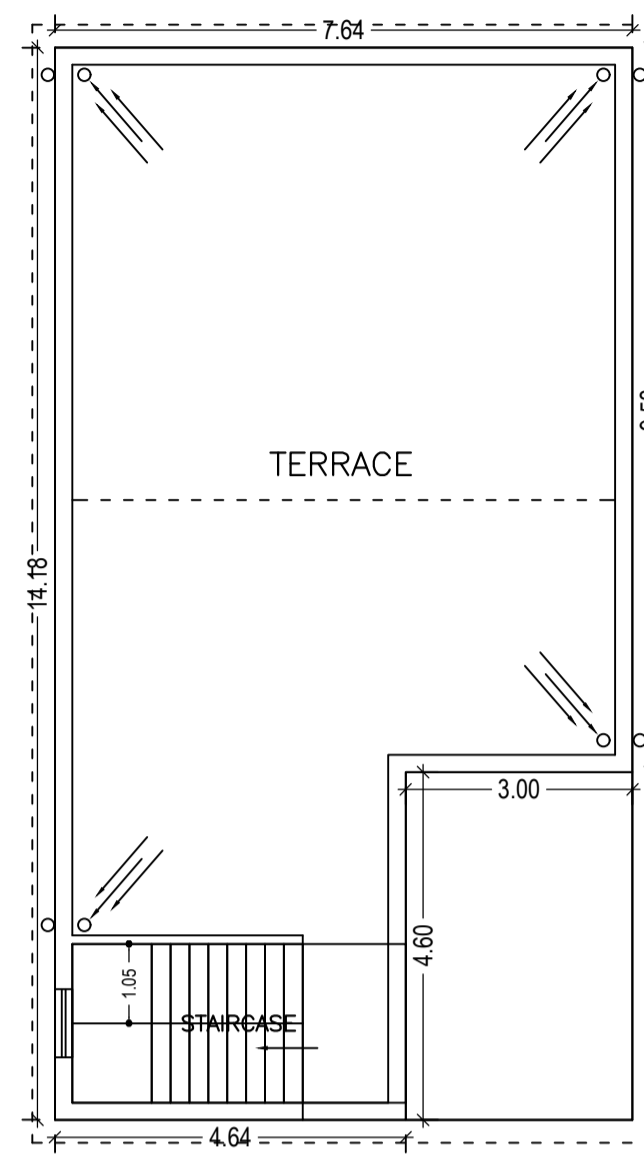
Proposal File No.	MADA/BP/0061/2020
Owner Name	MANOJ KUMAR GIRI, NATIK KUMAR GIRI, NAVYA KUMAR GIRI
Khata No	OLD - 78, NEW - 15
Plot No	OLD - 1662, NEW - 1216
Village Name	Amaghata
Use	Residential
SubUse	Bungalow/ Dwelling / Non Apartment



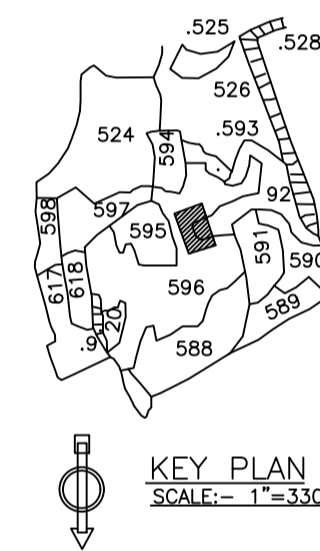
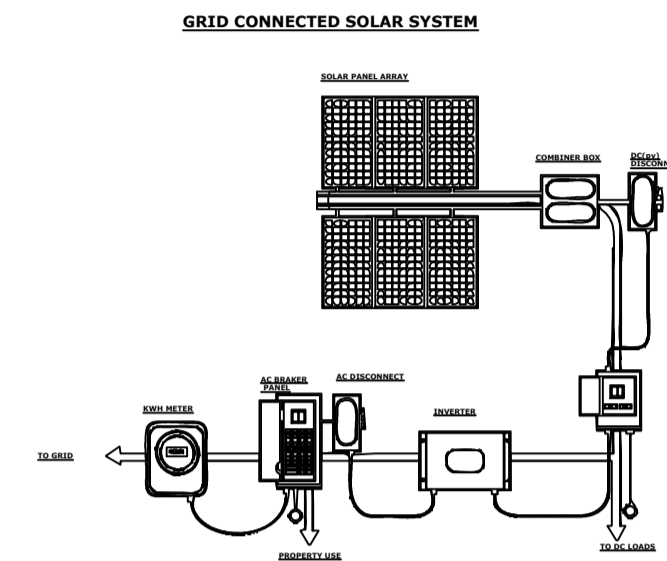
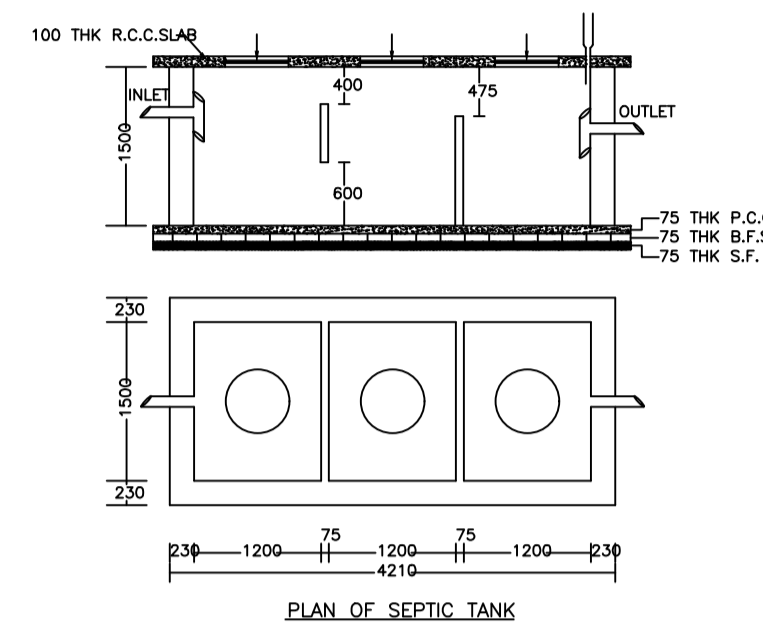
GROUND FLOOR PLAN
(Proposed)
(SCALE 1:100)



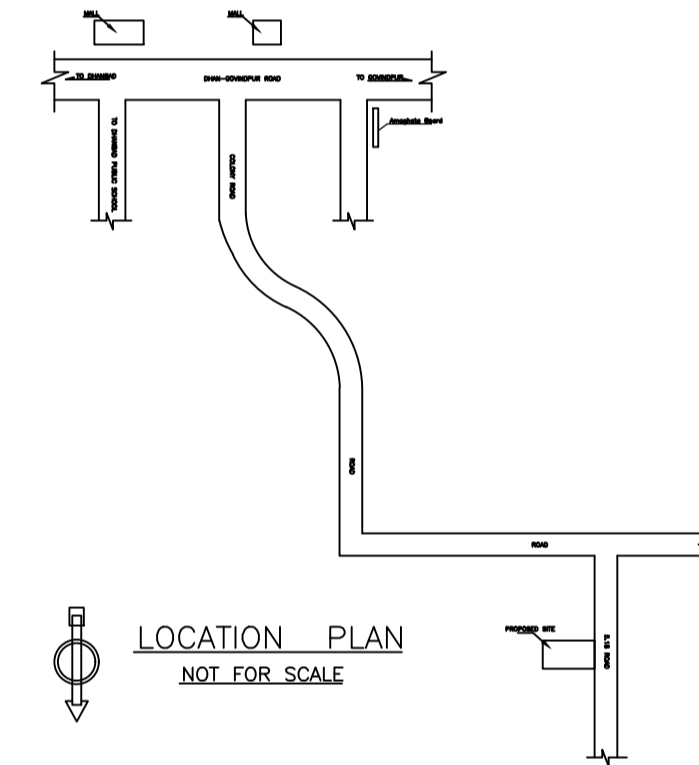
FIRST FLOOR PLAN
(Proposed)
(SCALE 1:100)



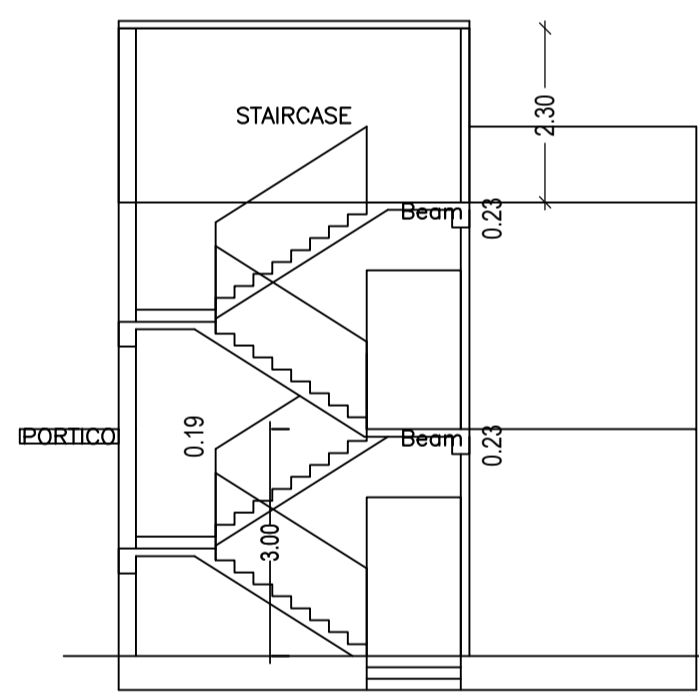
TERRACE FLOOR PLAN
(SCALE 1:100)



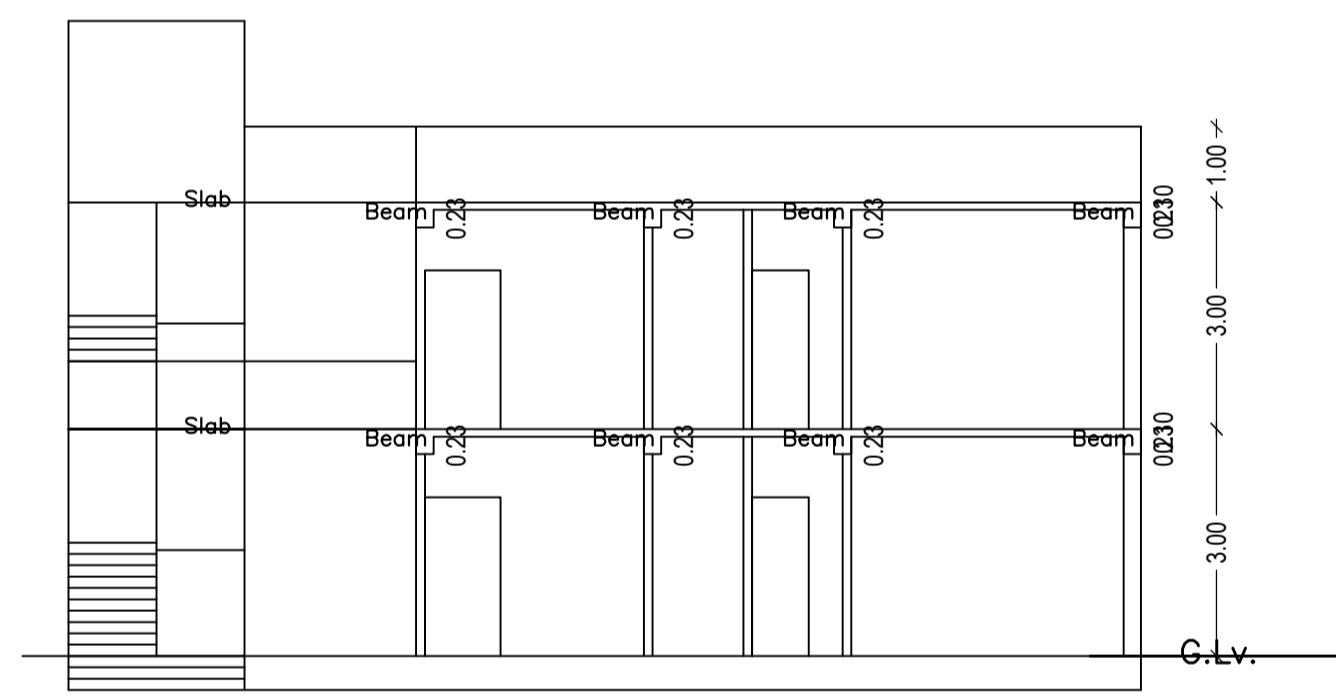
KEY PLAN
SCALE:- 1"=330'



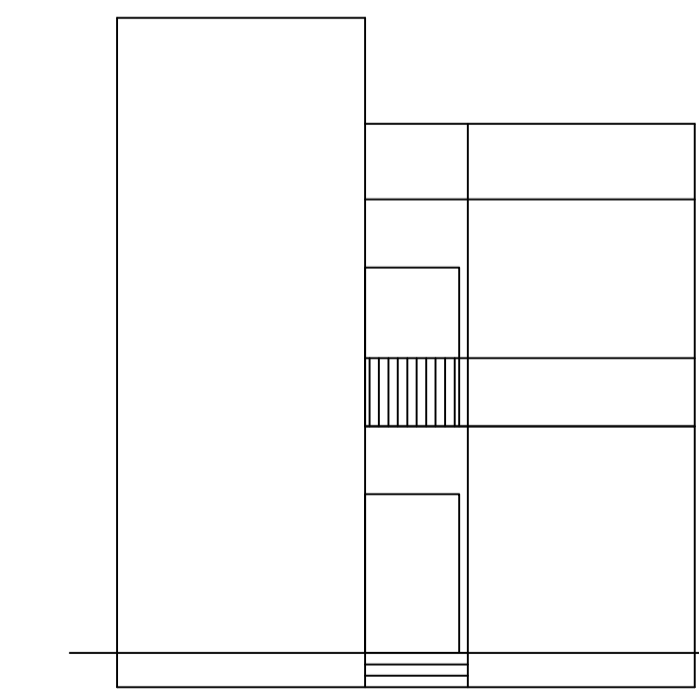
LOCATION PLAN
NOT FOR SCALE



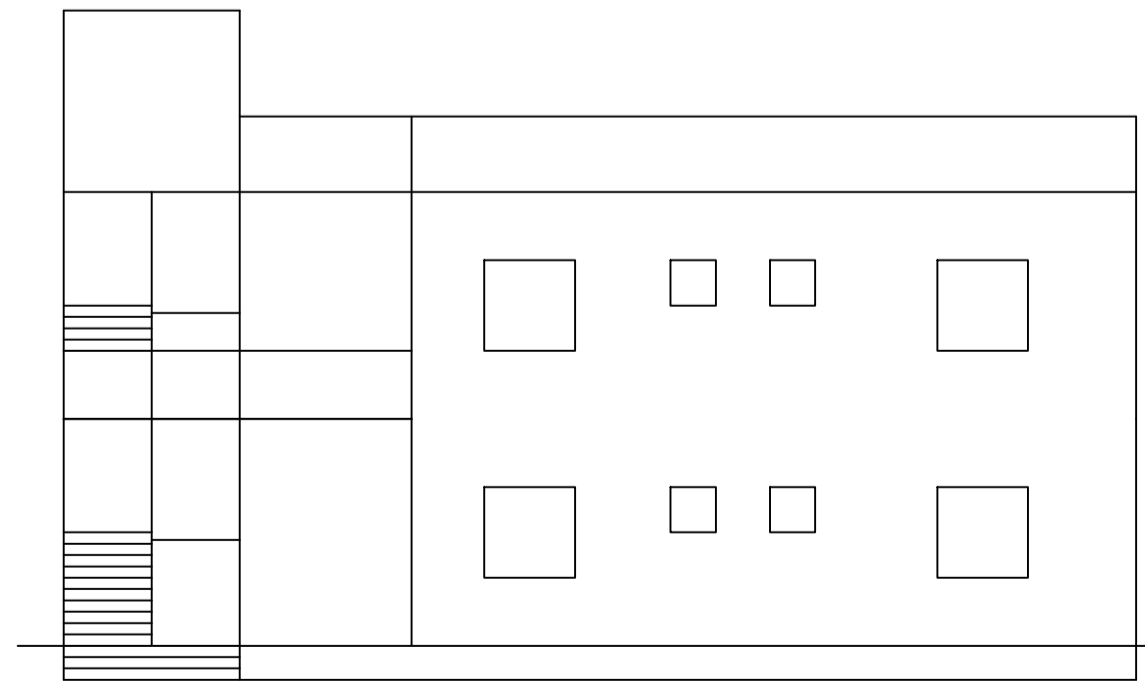
Section on X-X



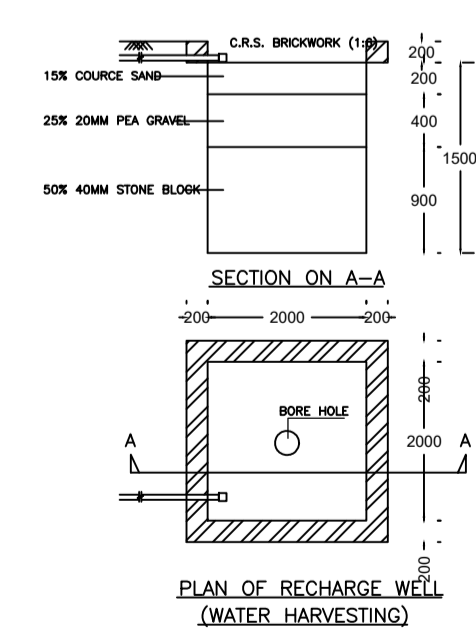
Section on Y-Y



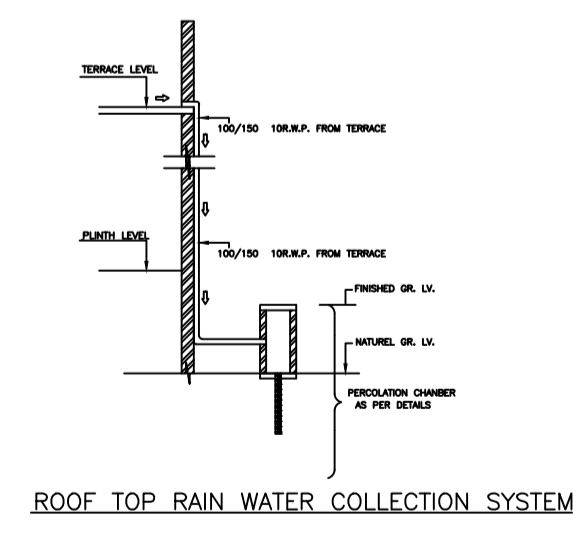
Front Elevation



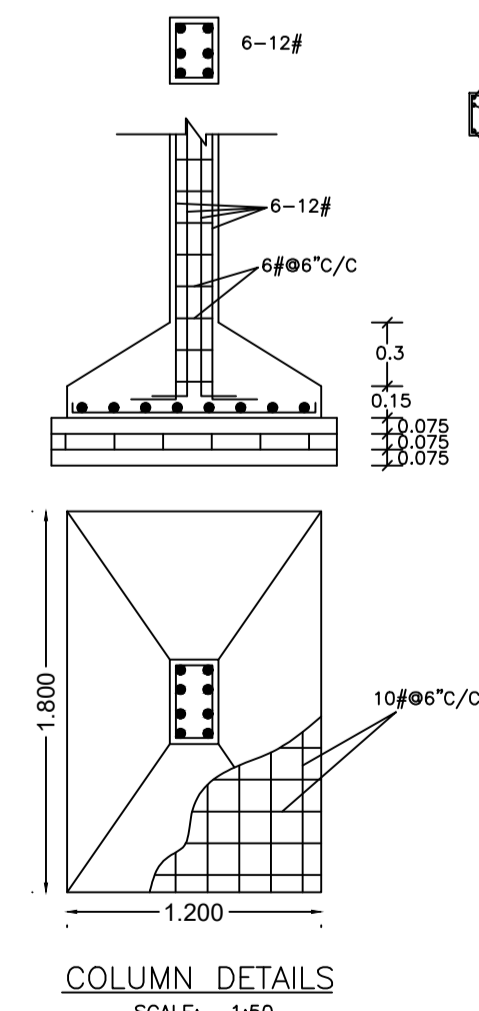
Right Side Elevation



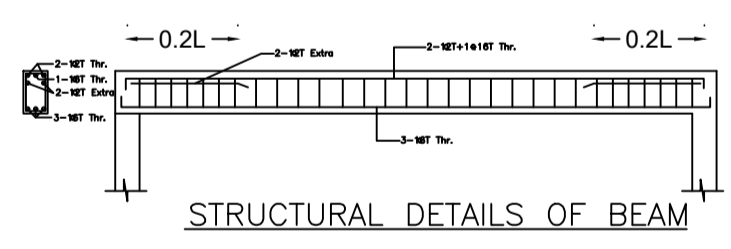
PLAN OF RECHARGE WELL
(WATER HARVESTING)



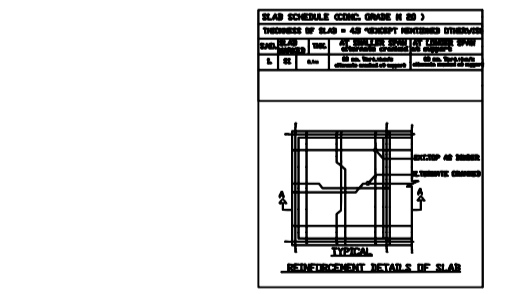
ROOF TOP RAIN WATER COLLECTION SYSTEM



COLUMN DETAILS
SCALE:- 1:50



STRUCTURAL DETAILS OF BEAM



TYP. DETAIL OF STAIR
(For levels and nos. of steps refer Architectural Drawing)

LTP NAME AND SIGNATURE	STRUCTURAL ENG'S NAME AND SIGNATURE	BUILDER NAME AND SIGNATURE	DIGITAL SIGNATURE
MANOJ KUMAR SINGH MADA/DFTMN/0023/2019			