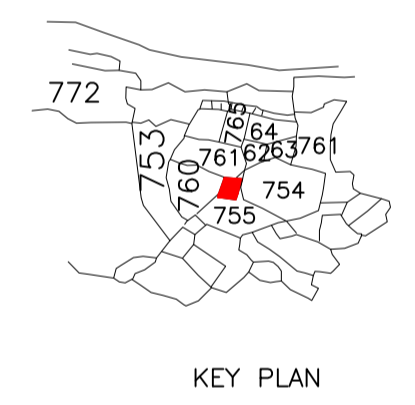
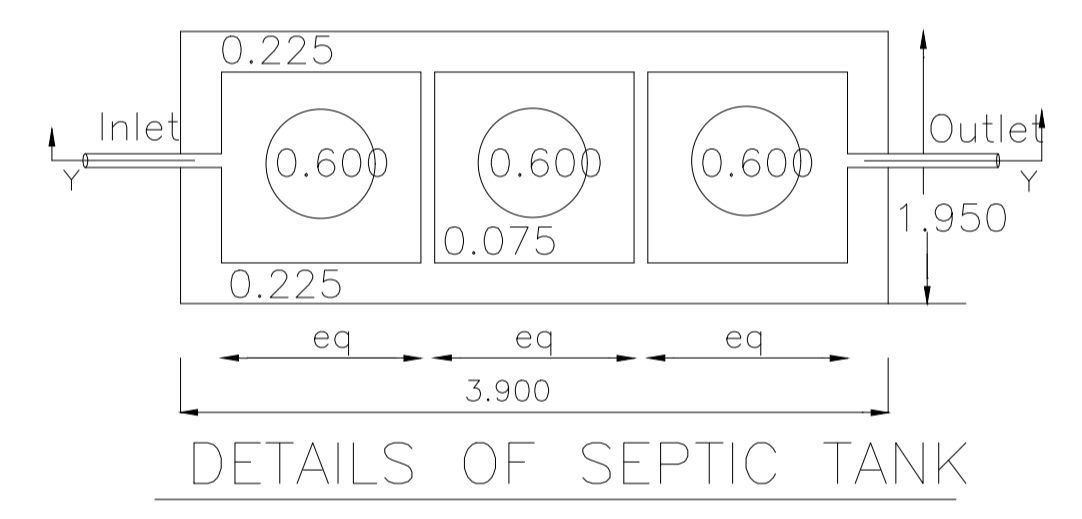
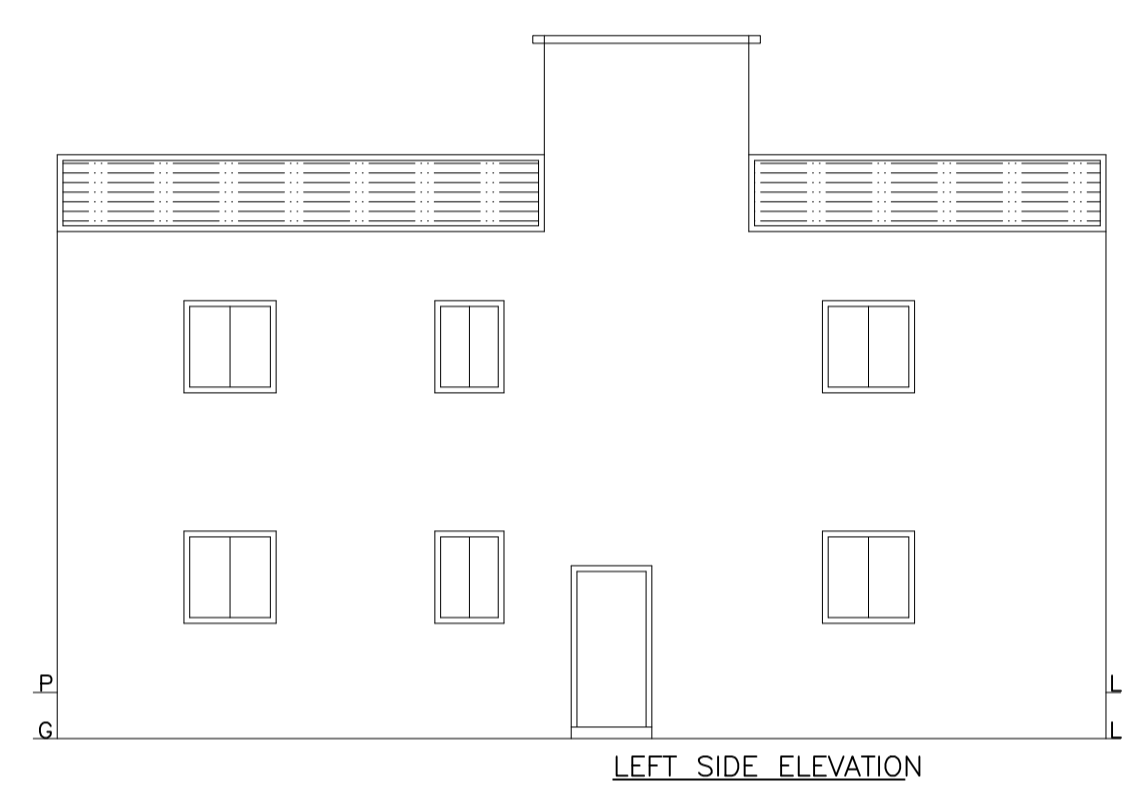
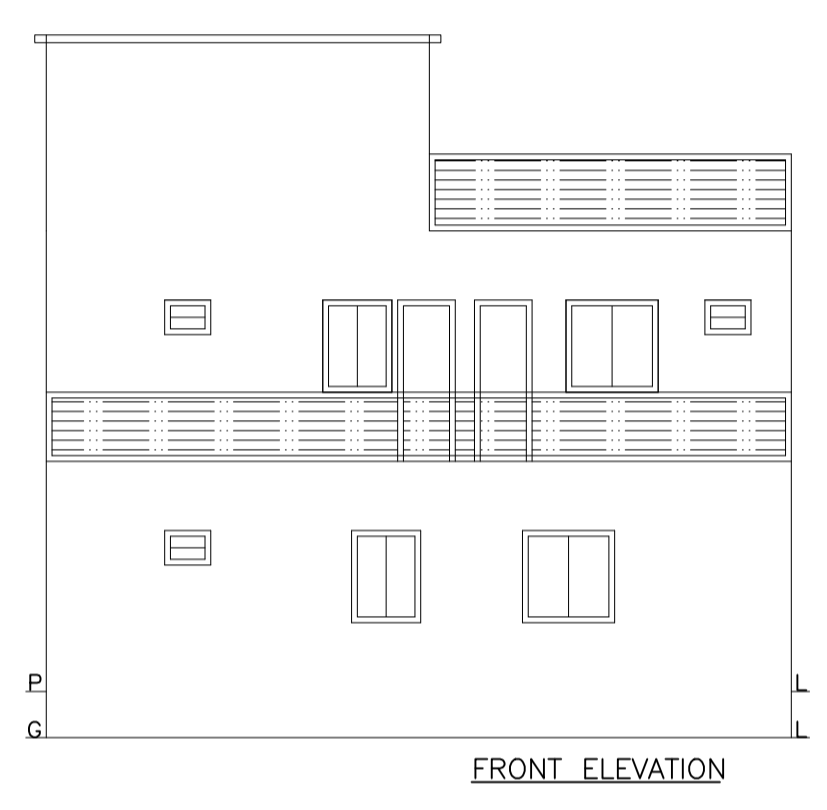
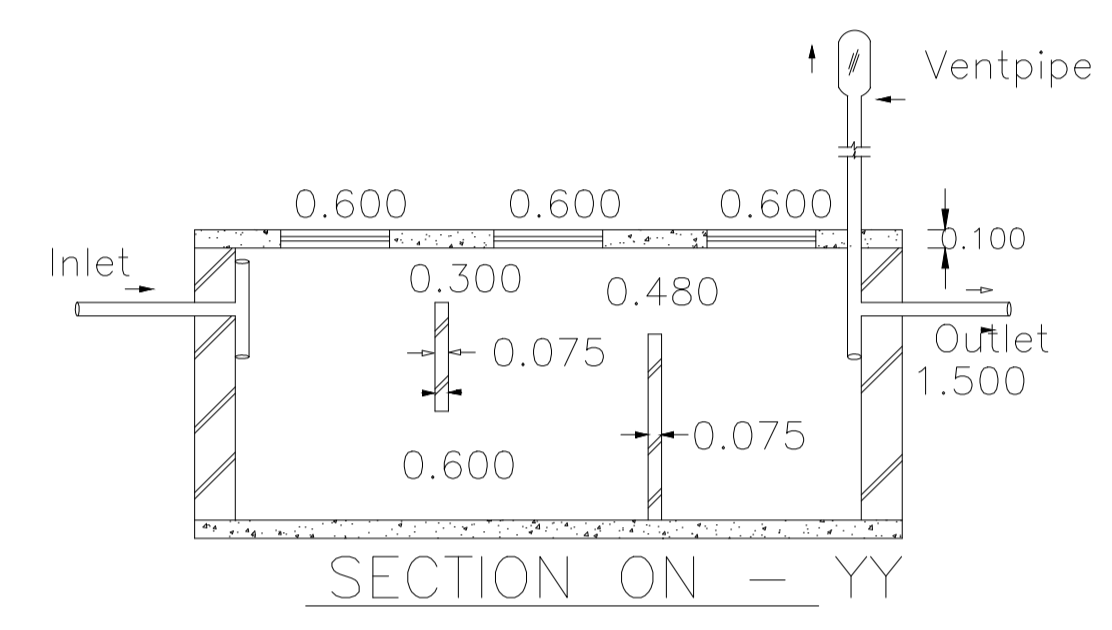
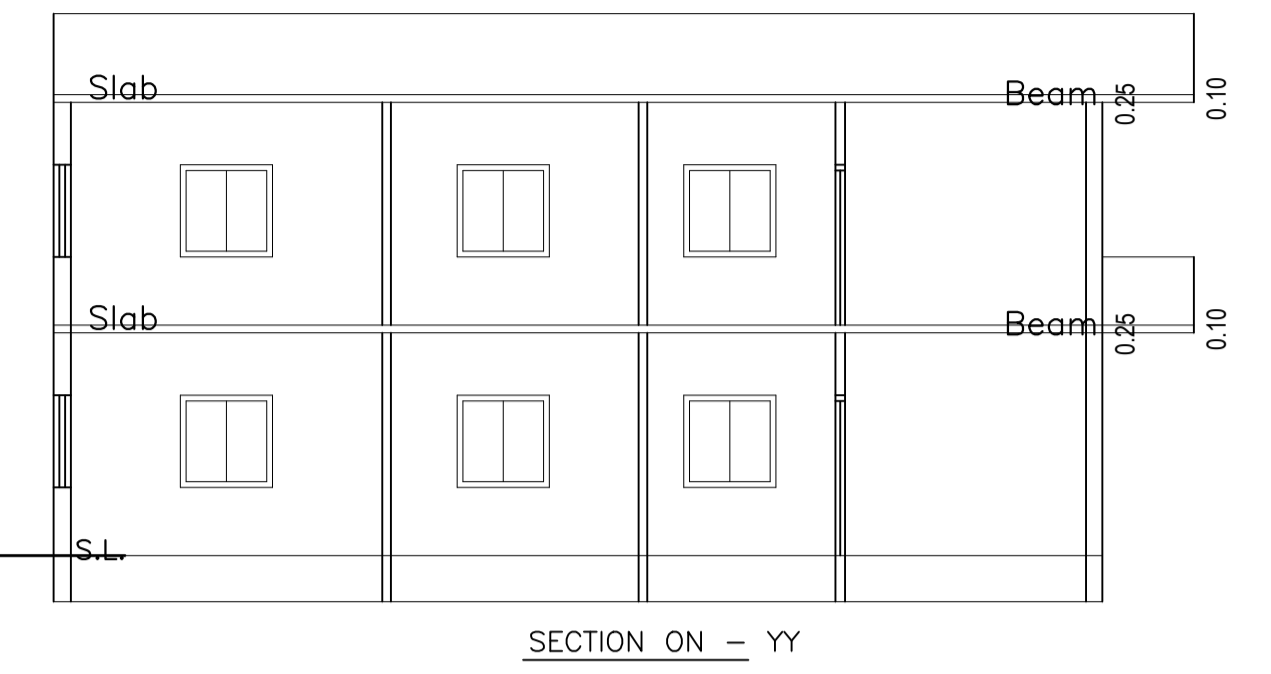
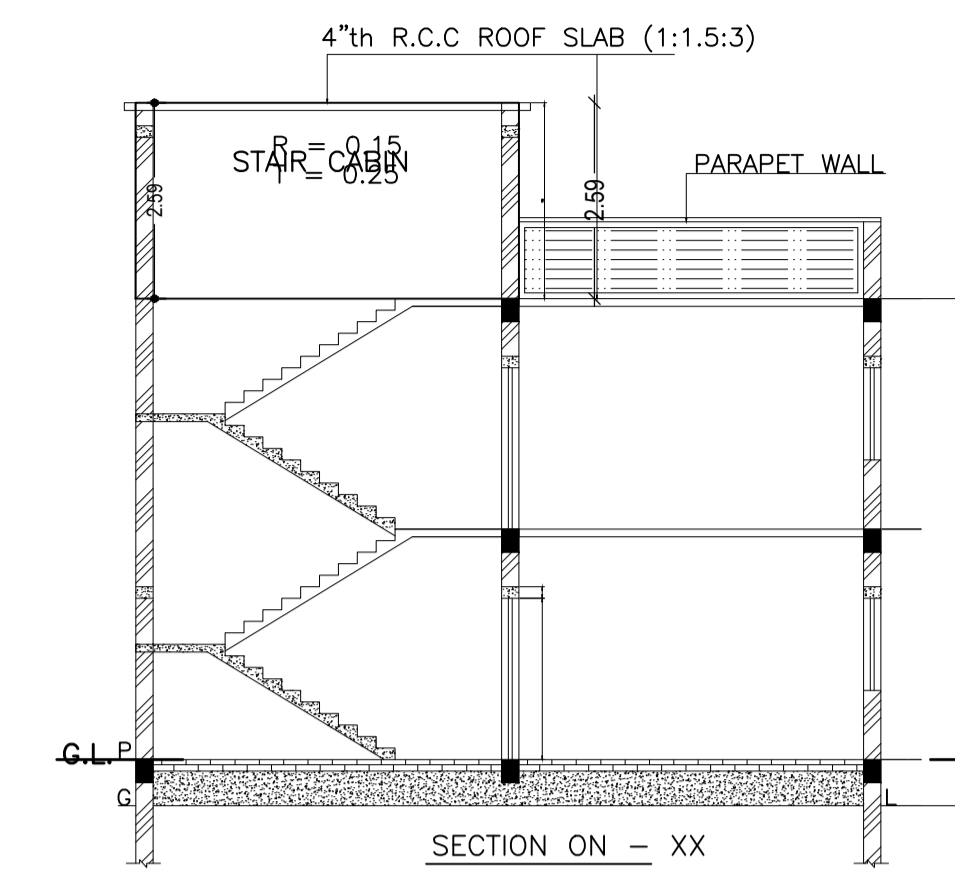
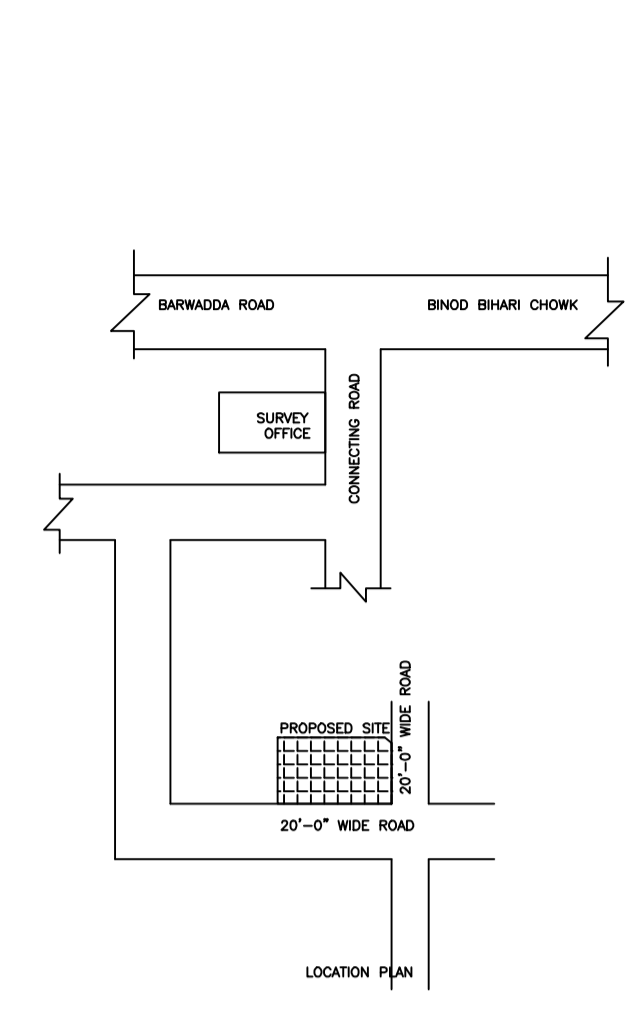
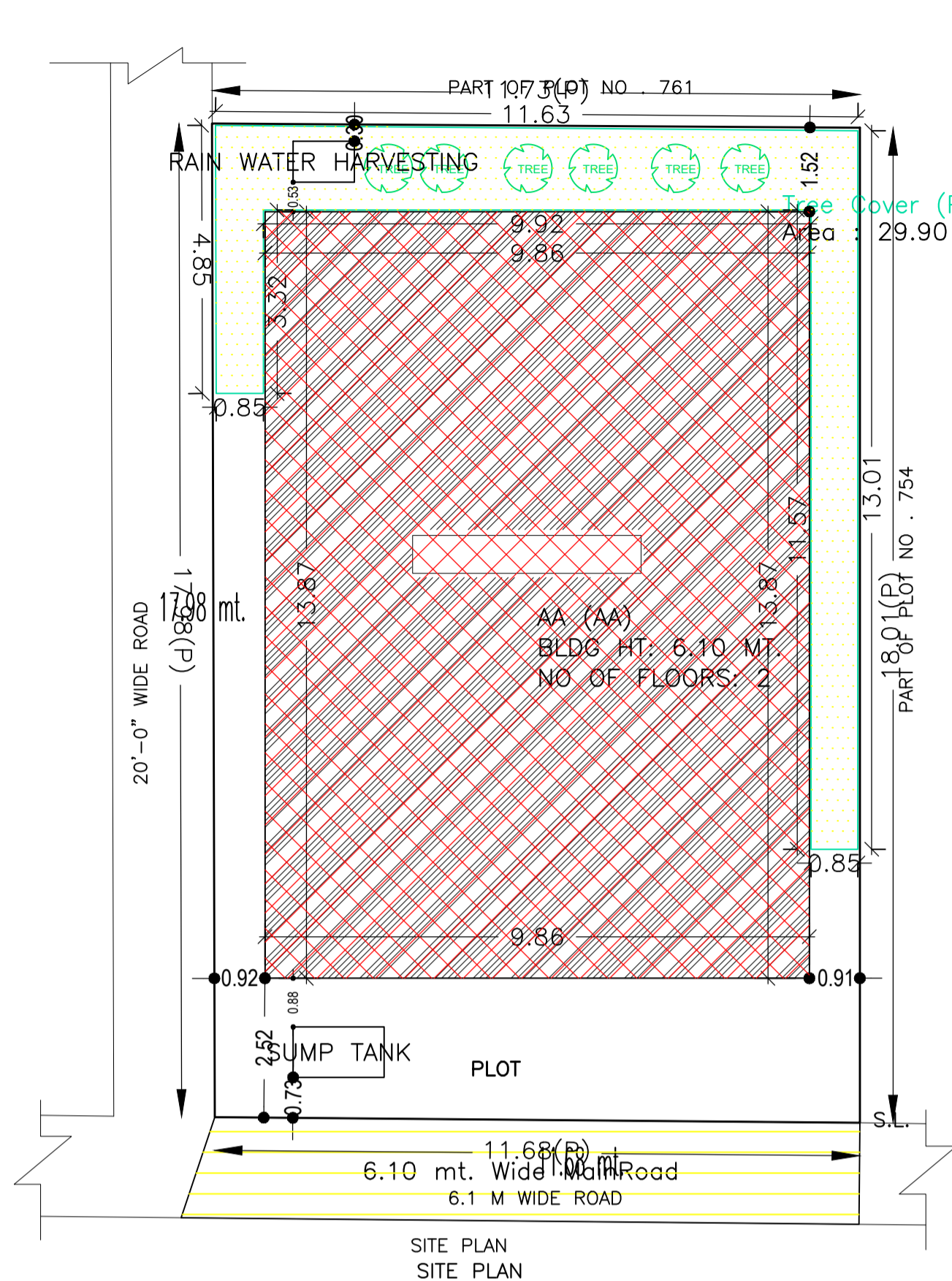


Proposal Basic Information

Proposal File No.	MADA/BP/0121/2020
Owner Name	SMT REKHA BARNWAL
Khata No	OLD - 40 , 45 , NEW - 121 , 248
Plot No	OLD -755 ,760,761 , NEW - 1013 , 1007 , 1008
Village Name	Nawadh
Use	Residential
SubUse	Bungalow/ Dwelling / Non Apartment



AREA STATEMENT MINERAL AREA DEVELOPMENT AUTHORITY	VERSION NO.: 1.0.53
PROJECT DETAIL:	VERSION DATE: 16/10/2020
Region: JHARKHAND URBAN LOCAL BODIES	Plot Use: Residential
District: DHANBAD	Plot SubUse: Bungalow/ Dwelling / Non Apartment
Authority: MINERAL AREA DEVELOPMENT AUTHORITY	PlotNearbyReligiousStructure: NA
Inward No: MADA/BP/0121/2020	Plot/SubPlot No: OLD -755 ,760,761 , NEW - 1013 , 1007 , 1008
Application Type: General Proposal	North: Road Width - 6.1 M WIDE ROAD
Project Type: Building Permission	South: Plot No. - PART OF THIS PLOT NO - 754
Nature of Development: New	East: Plot No. - PART OF PLOT NO - 761
Location of Development Area: Old Area	West: Road Width - 6.1 M WIDE ROAD
AREA DETAILS:	SQ.MT.
NET AREA OF PLOT(Gross Plot Area - Deduction from Gross Plot area)	(A)
Deduction for Balance Plot Area(from Gross Plot Area)	(A-Deductions)
Common Plot Total	29.90
BALANCE AREA OF PLOT(Net Plot Area - Recreational/Amenity space)	180.72
PLOT AREA FOR COVERAGE(Net Plot Area)	210.63
Plot Area for FAR (Net Plot Area + Road/Widening Area)	(A-Deductions)
COVERAGE CHECK	
Permissible Coverage area (70.00 %)	147.44
Proposed Coverage Area (64.93 %)	136.76
Total Prop. Coverage Area (64.93 %)	136.76
Balance coverage area (5.07 %)	10.68
FAR CHECK	
Perm. FAR Area (2.50)	526.58
Total Perm. FAR area	526.58
Residential FAR	273.54
Proposed FAR Area	273.54
Total Proposed FAR Area	273.54
Consumed FAR (Factor)	1.30
Balance FAR Area	253.04
BUILT UP AREA CHECK	
Total Proposed BuiltUp Area	273.54
ARCHITECT (Regd)	AMARENDRA KUMAR
ENGINEER (Regd)	
SUPERVISOR (Regd)	
OWNER (Regd)	SMT REKHA BARNWAL
DEVELOPMENT AUTHORITY	LOCAL BODY

COLOR INDEX	
PLOT BOUNDARY	Black
ABUTTING ROAD	Green
PROPOSED CONSTRUCTION	Red
COMMON PLOT	Yellow
ROAD WIDENING AREA	Blue
EXISTING (To be retained)	Light Blue
EXISTING (To be demolished)	Dark Blue

Buildingwise Floor FAR Details				
Floor Name	Building Name AA (AA)		Total	
	Proposed Built Up Area (Sq.mt.)	Proposed FAR Area (Sq.mt.)	Total Proposed Built Up Area (Sq.mt.)	Total FAR Area (Sq.mt.)
Ground Floor	136.78	136.78	136.78	136.78
First Floor	136.76	136.76	136.76	136.76
Terrace Floor	0.00	0.00	0.00	0.00
Total :	273.54	273.54	273.54	273.54

Building USE/SUBUSE Details			
Building Name	Building Use	Building SubUse	Building Structure
AA (AA)	Residential	Bungalow/ Dwelling / Non Apartment	Non-Highrise

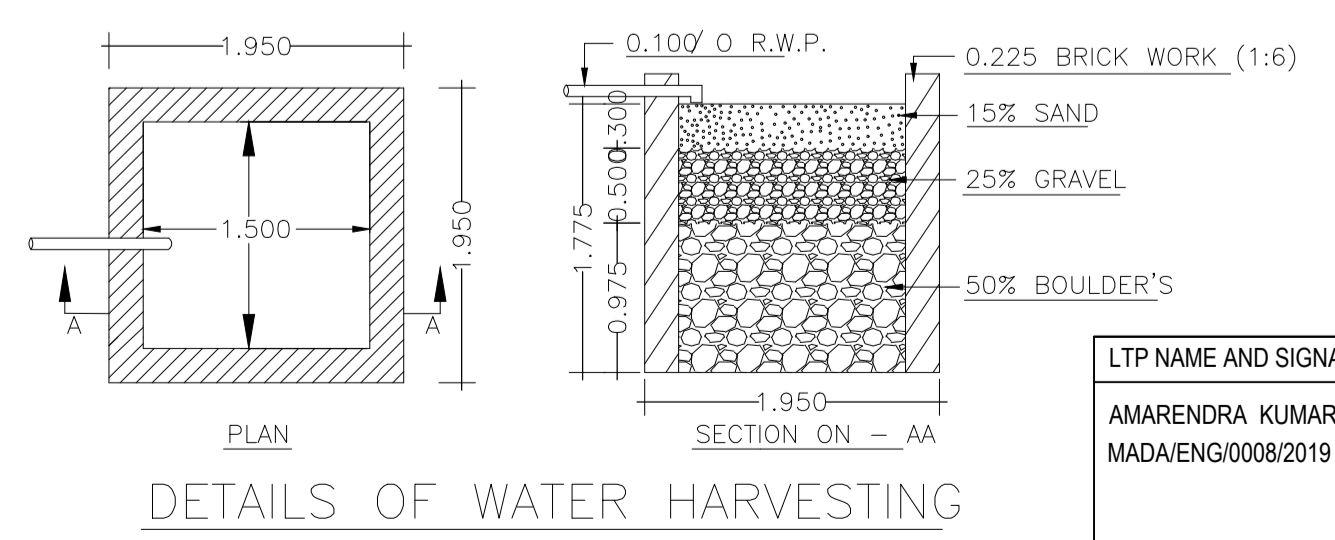
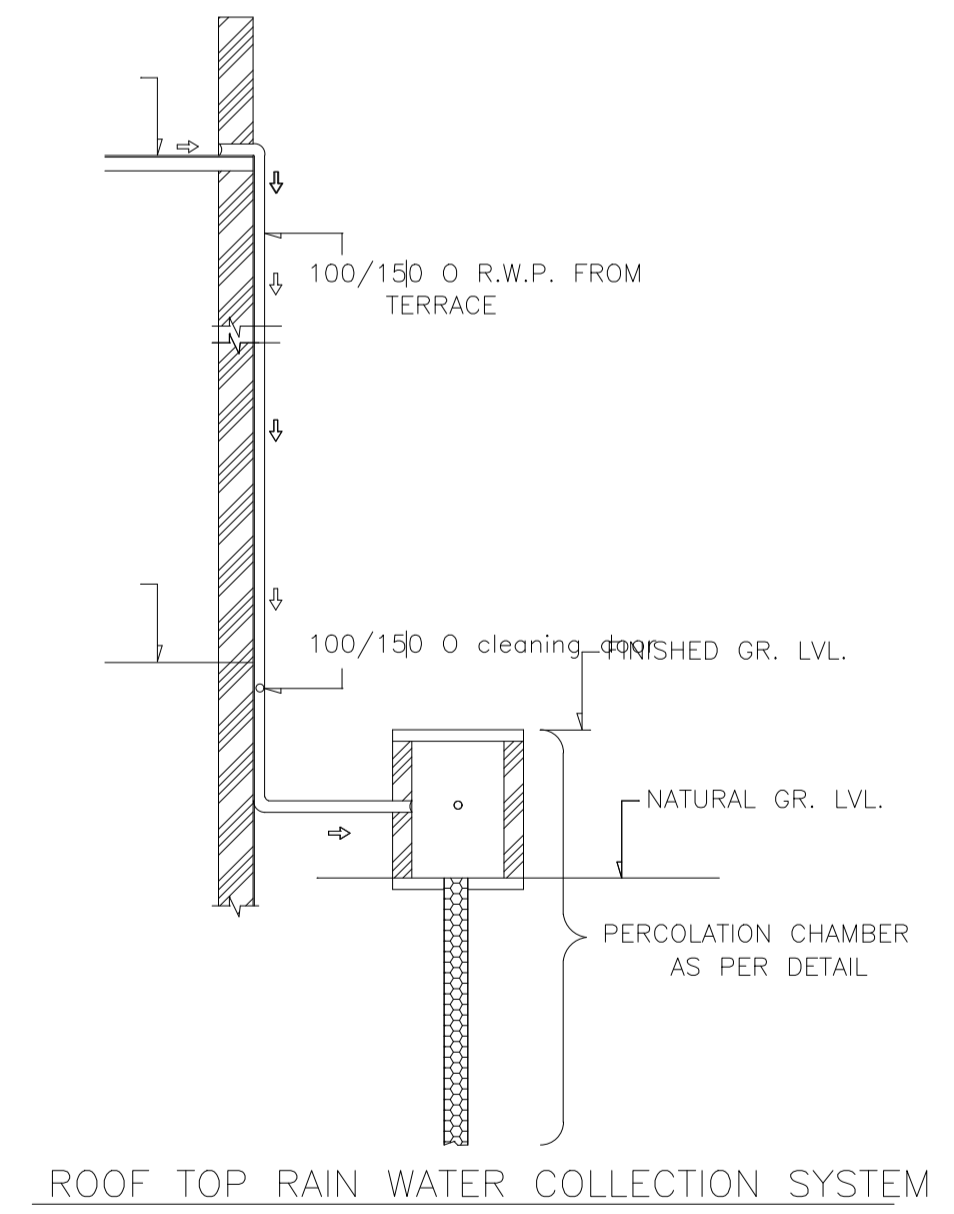
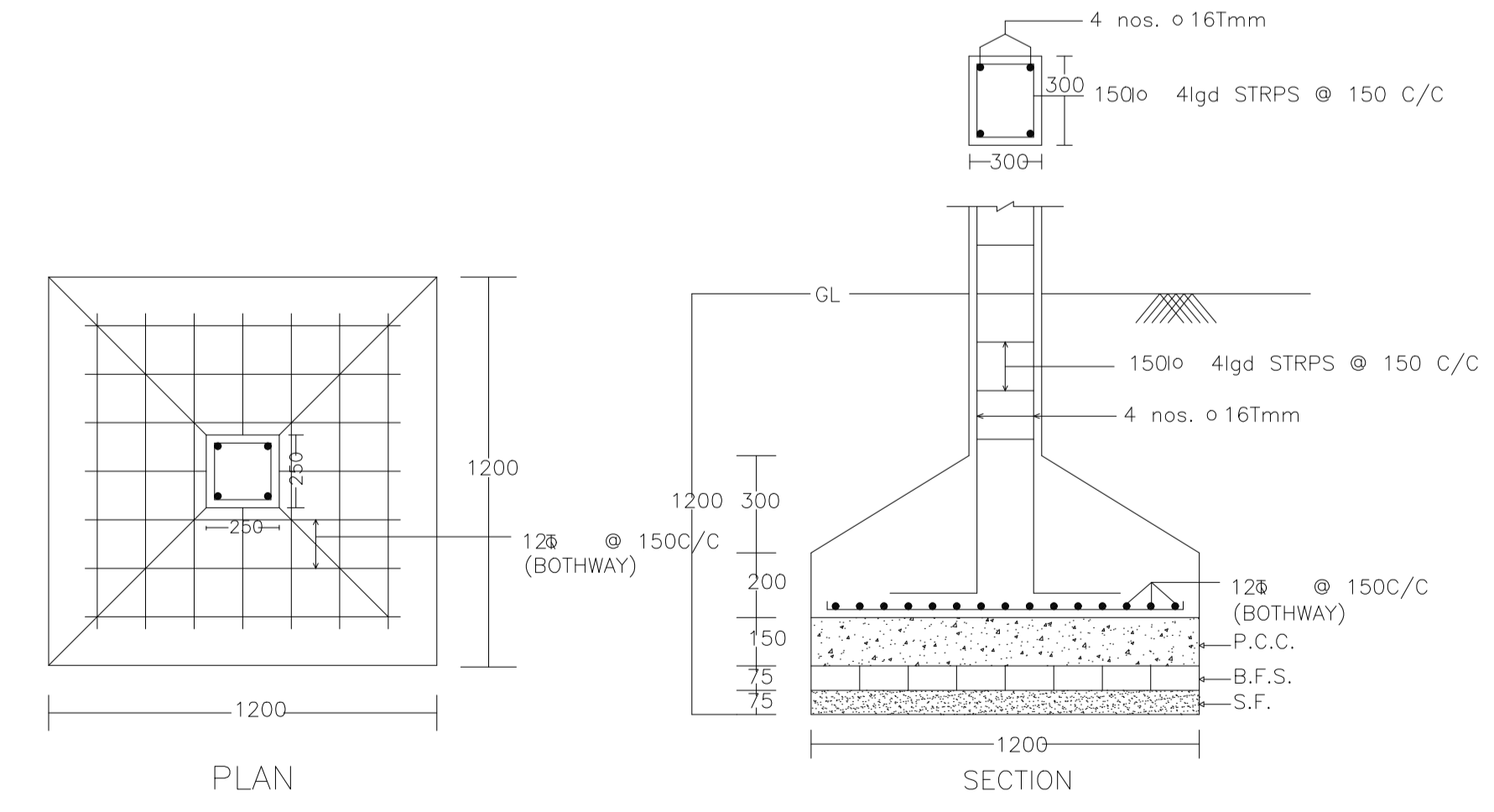
Building :AA (AA)					
Floor Name	Total Built Up Area (Sq.mt.)	Proposed FAR Area (Sq.mt.) Resi.	Total FAR Area (Sq.mt.)	Total Consumed Additional FAR Area (Sq.mt.)	Tnmt (No.)
Ground Floor	136.78	136.78	136.78	136.78	01
First Floor	136.76	136.76	136.76	136.76	00
Terrace Floor	0.00	0.00	0.00	0.00	00
Total :	273.54	273.54	273.54	273.54	01
Total Number of Same Buildings :	1				
Total :	273.54	273.54	273.54	273.54	01

SCHEDULE OF DOOR:				
BUILDING NAME	NAME	LENGTH	HEIGHT	NOS
AA (AA)	D	0.75	2.10	01
AA (AA)	D	0.76	2.10	07
AA (AA)	D	0.91	2.10	04
AA (AA)	D	1.07	2.10	12


SCHEDULE OF WINDOW/VENTILATION:				
BUILDING NAME	NAME	LENGTH	HEIGHT	NOS
AA (AA)	W	0.60	1.20	03
AA (AA)	W	0.61	1.20	04
AA (AA)	W	0.62	1.20	01
AA (AA)	W	0.91	1.20	04
AA (AA)	W	0.95	1.20	02
AA (AA)	W	1.13	1.20	01
AA (AA)	W	1.22	1.20	07
AA (AA)	W	1.52	1.20	08

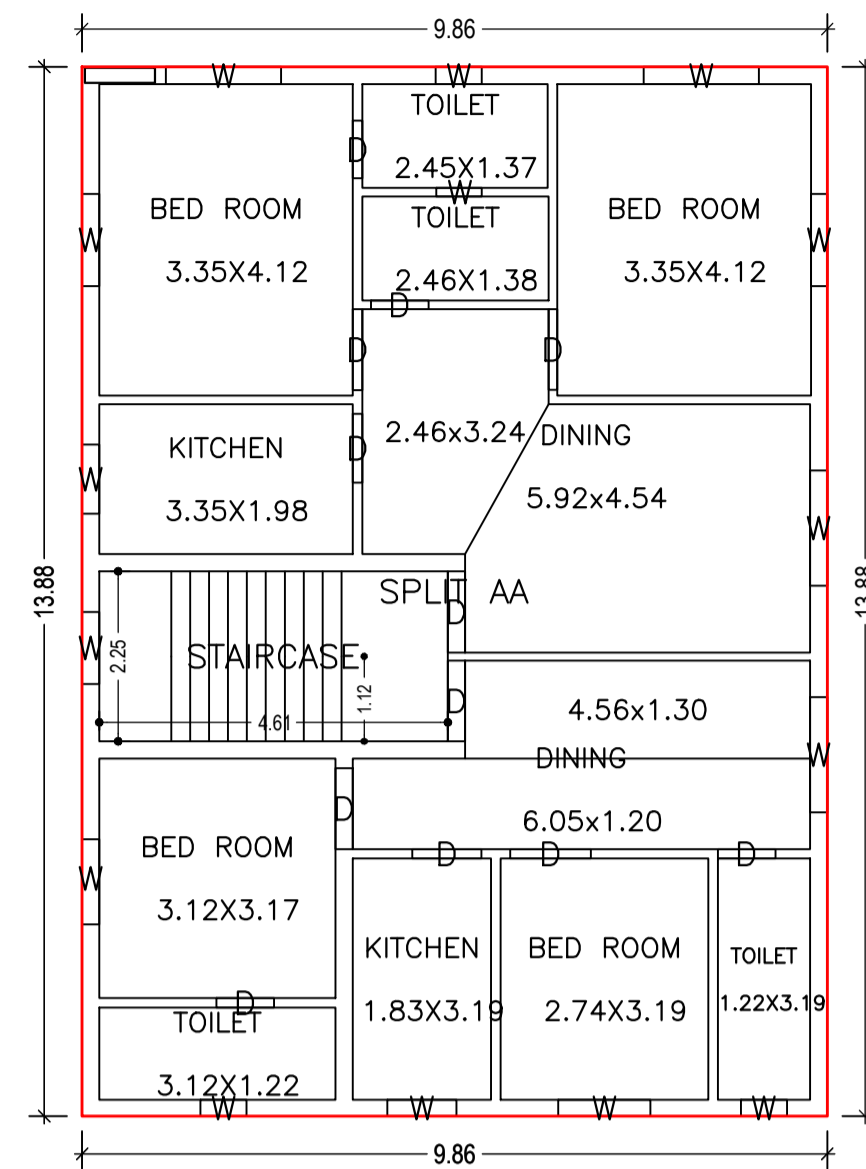
UnitBUA Table for Building :AA (AA)						
FLOOR	Name	UnitBUA Type	UnitBUA Area	Carpet Area	No. of Rooms	No. of Tenement
GROUND FLOOR PLAN	SPLIT AA	FLAT	273.54	273.17	12	1
FIRST FLOOR PLAN	SPLIT AA	FLAT	0.00	0.00	12	0
Total:			273.54	273.17	24	1

FAR & Tenement Details (Table 4c-1)						
Building	No. of Same Bldg	Total Built Up Area (Sq.mt.)	Proposed FAR Area (Sq.mt.) Resi.	Total FAR Area (Sq.mt.)	Total Consumed Additional FAR Area (Sq.mt.)	Tnmt (No.)
AA (AA)	1	273.54	273.54	273.54	273.54	01
Grand Total :	1	273.54	273.54	273.54	273.54	01

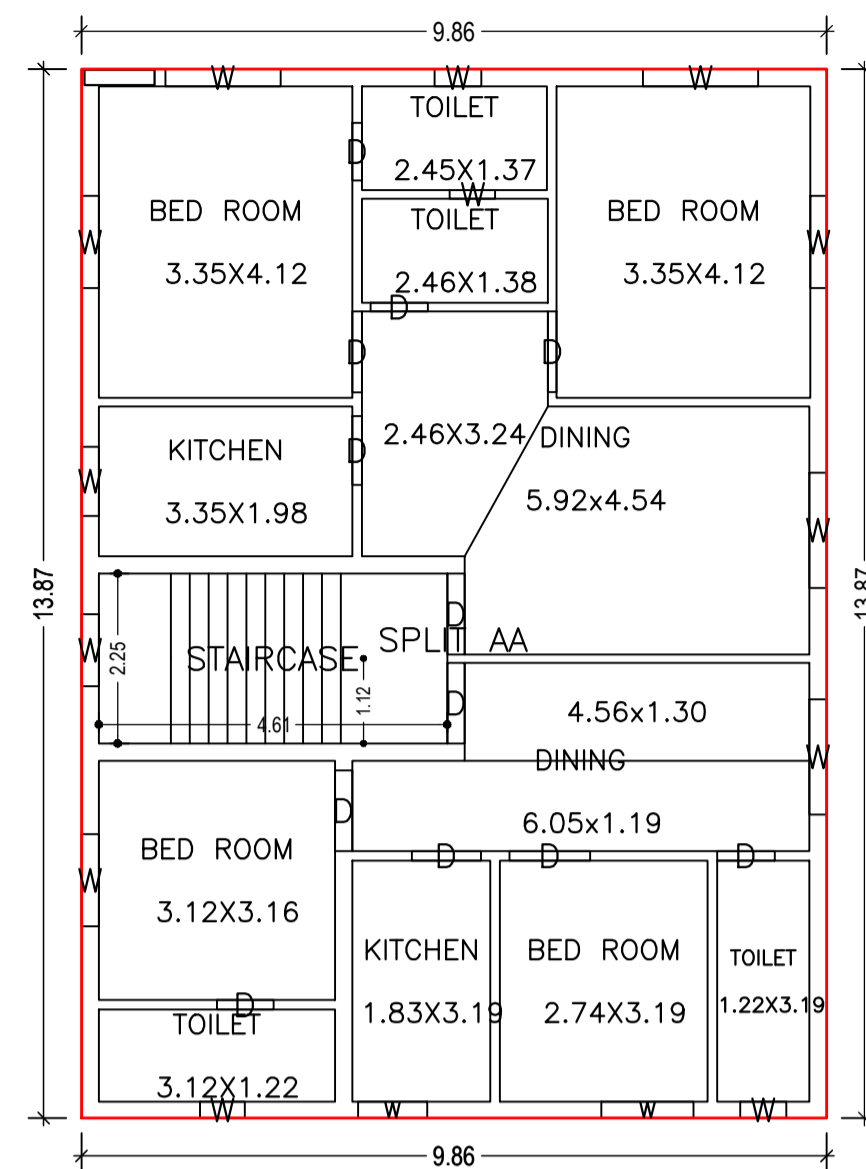


LTP NAME AND SIGNATURE	STRUCTURAL ENG'S NAME AND SIGNATURE	BUILDER NAME AND SIGNATURE	DIGITAL SIGNATURE
AMARENDRA KUMAR MADA/ENG/0008/2019			

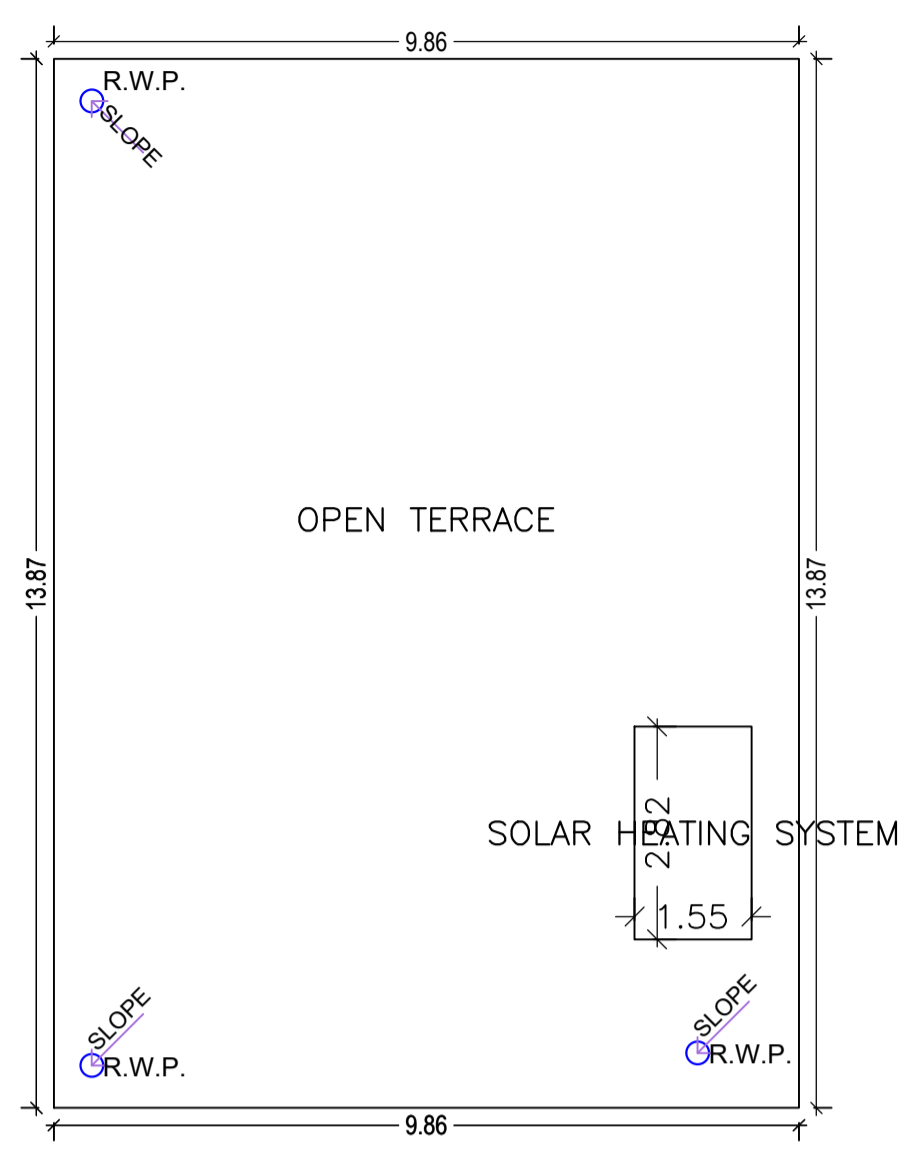
		DATE	04-02-2021
Proposal Basic Information		SHEET NO.	2
Proposal File No.	MADA/BP/0121/2020		
Owner Name	SMT REKHA BARNWAL		
Khata No	OLD - 40 , 45 , NEW - 121 , 248		
Plot No	OLD -755 ,760,761 , NEW - 1013 , 1007 , 1008		
Village Name	Nawadhi		
Use	Residential		
SubUse	Bungalow/ Dwelling / Non Apartment		



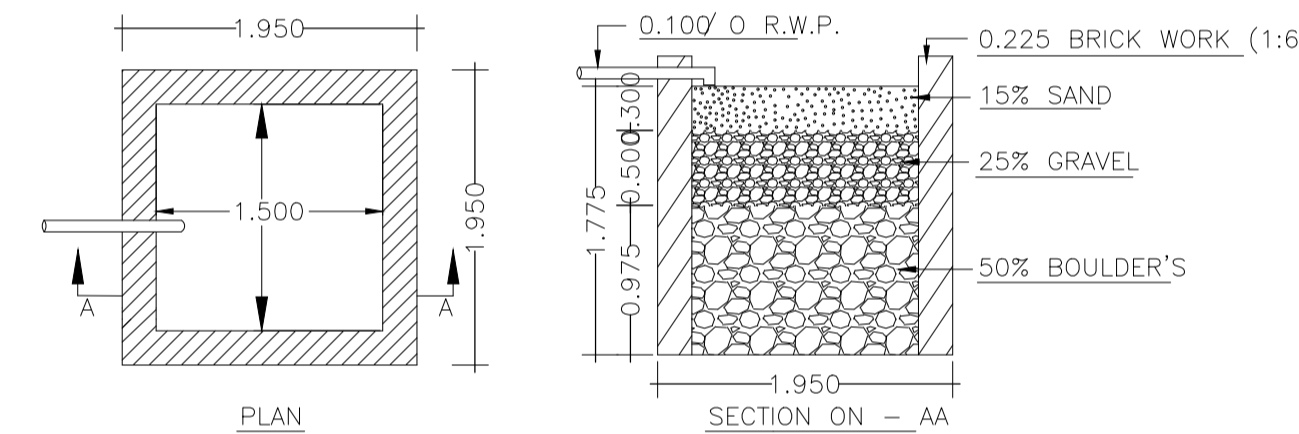
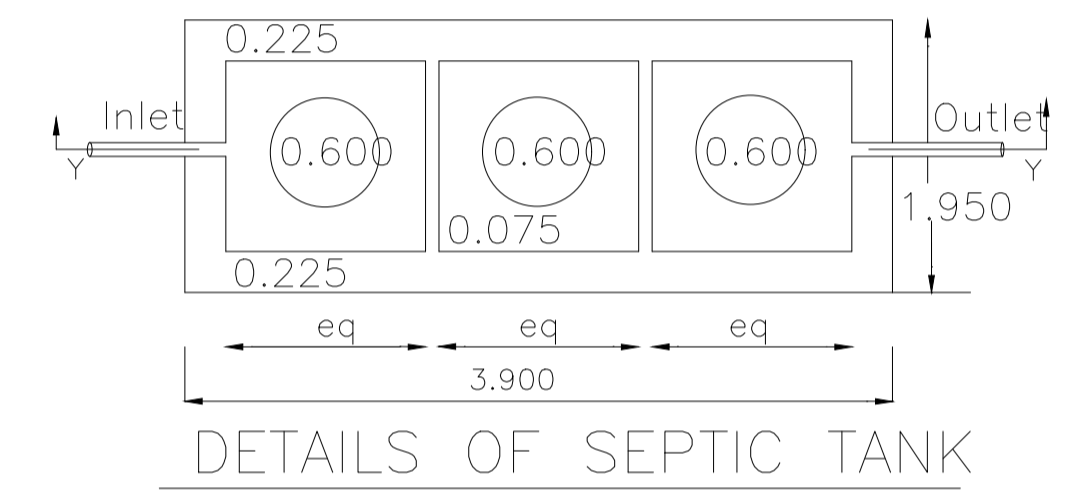
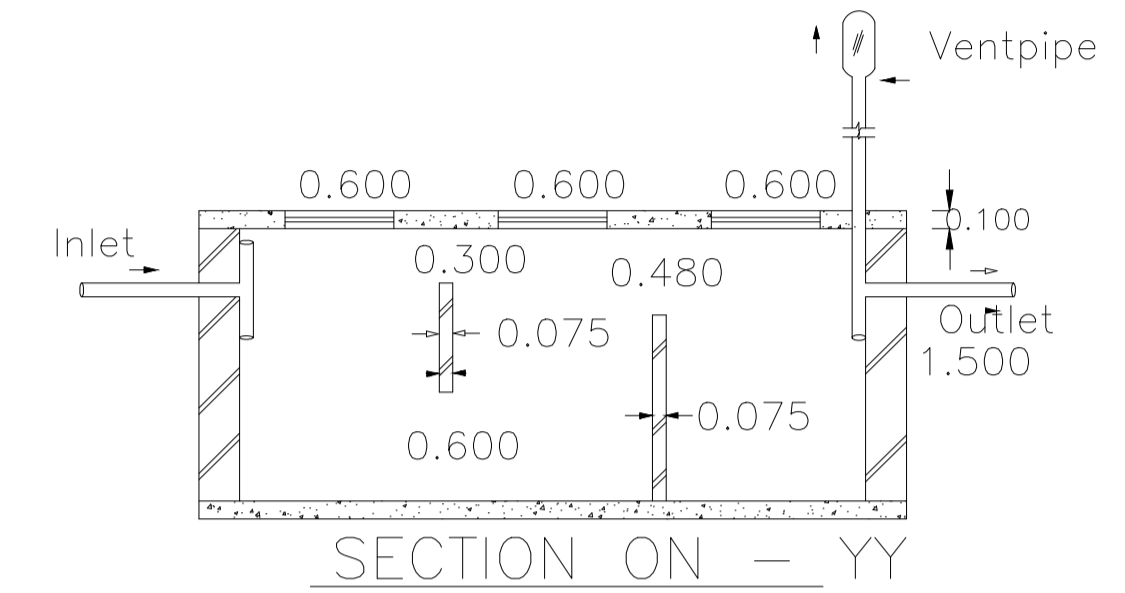
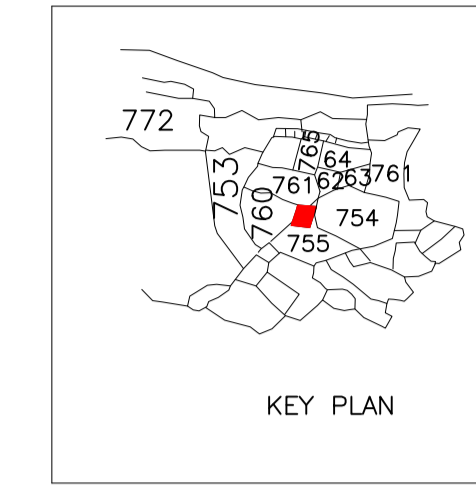
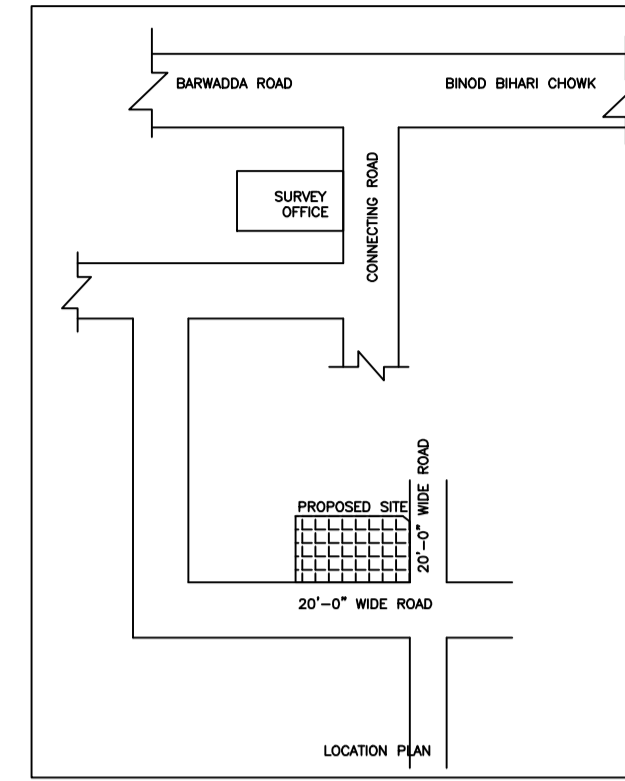
GROUND FLOOR PLAN
(Proposed)
(SCALE 1:100)



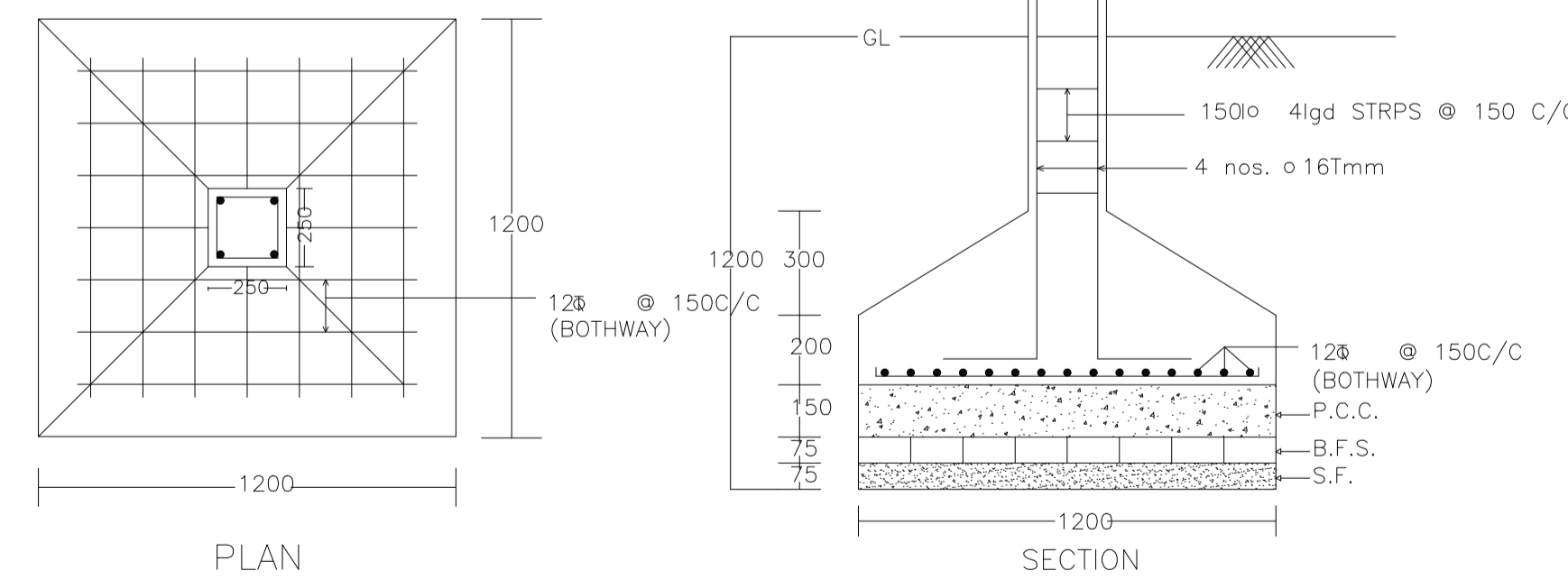
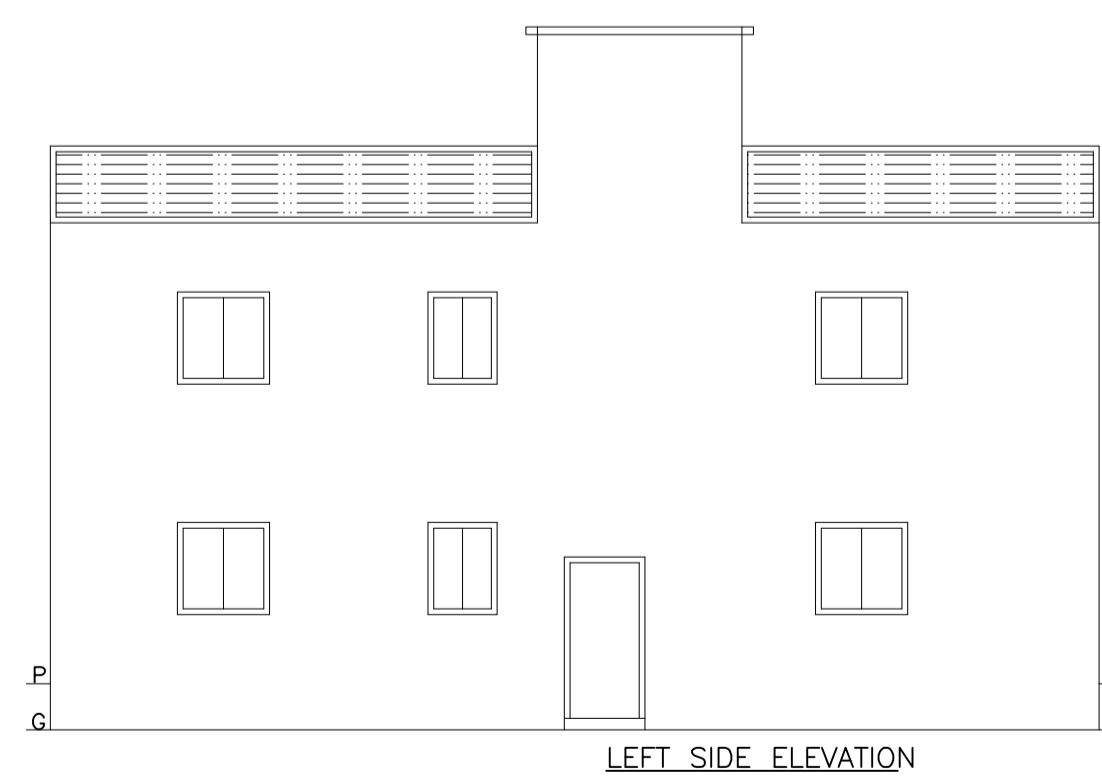
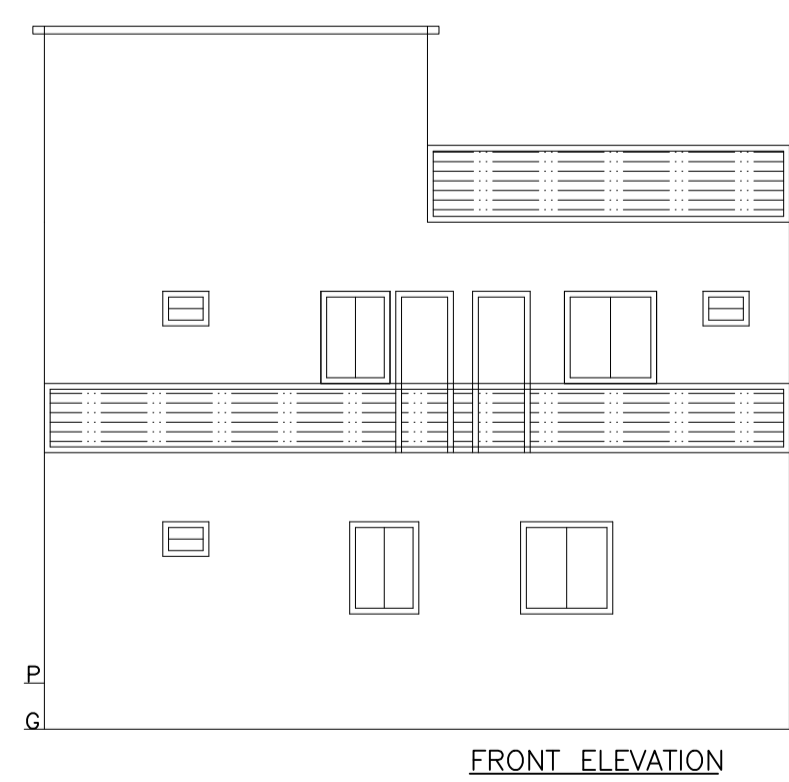
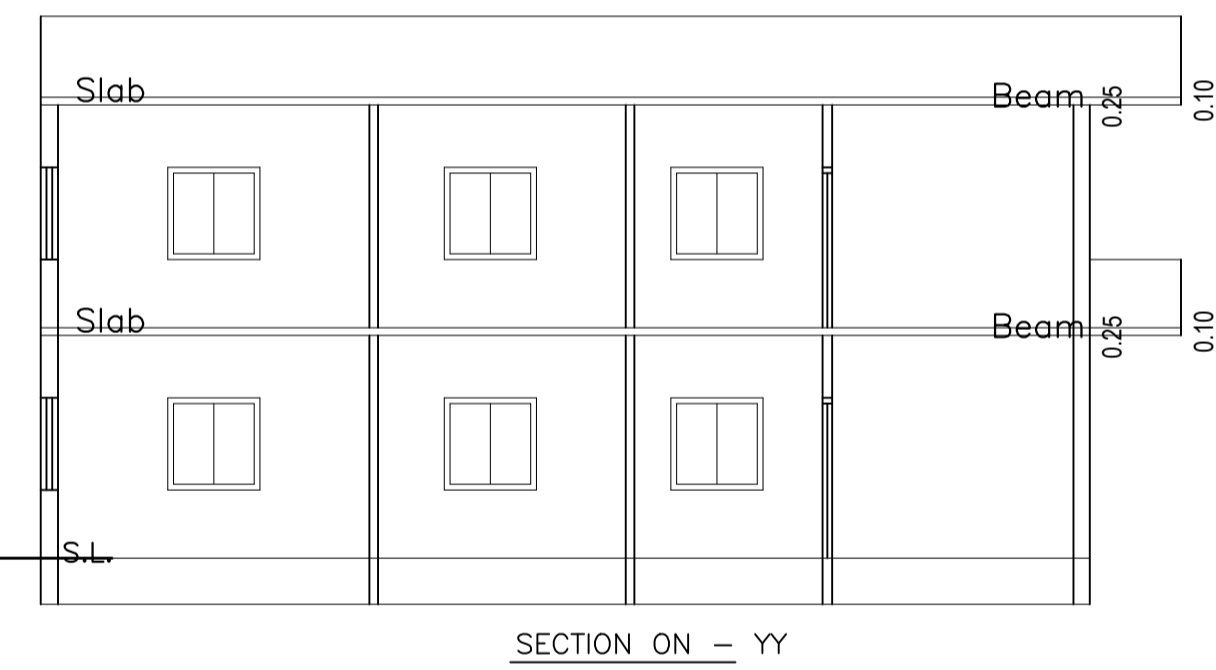
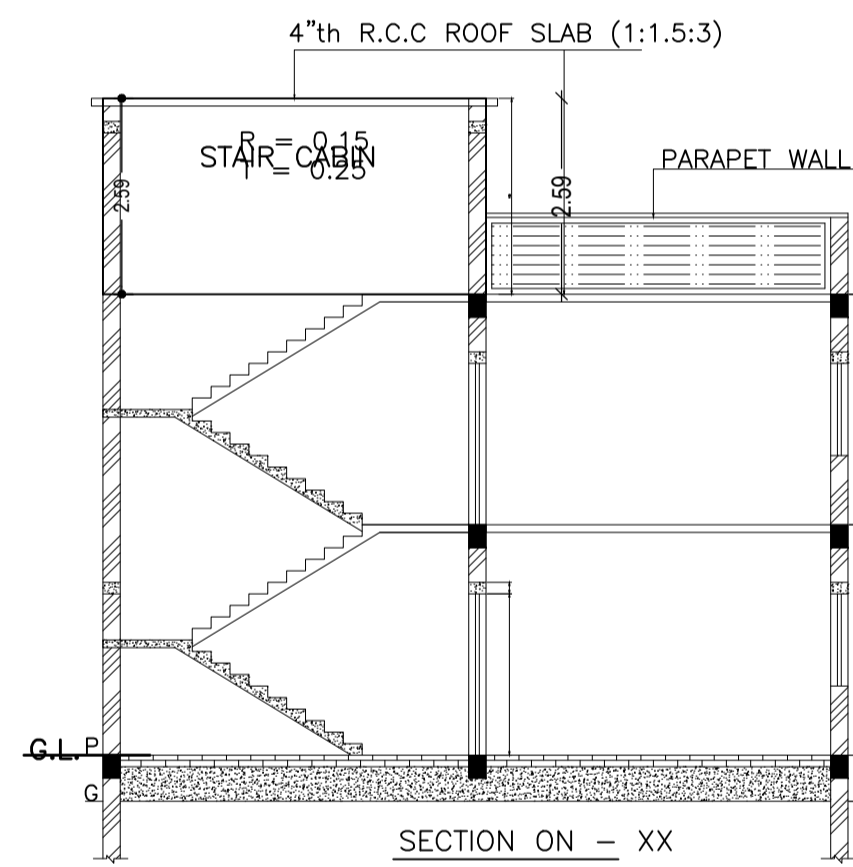
FIRST FLOOR PLAN
(Proposed)
(SCALE 1:100)



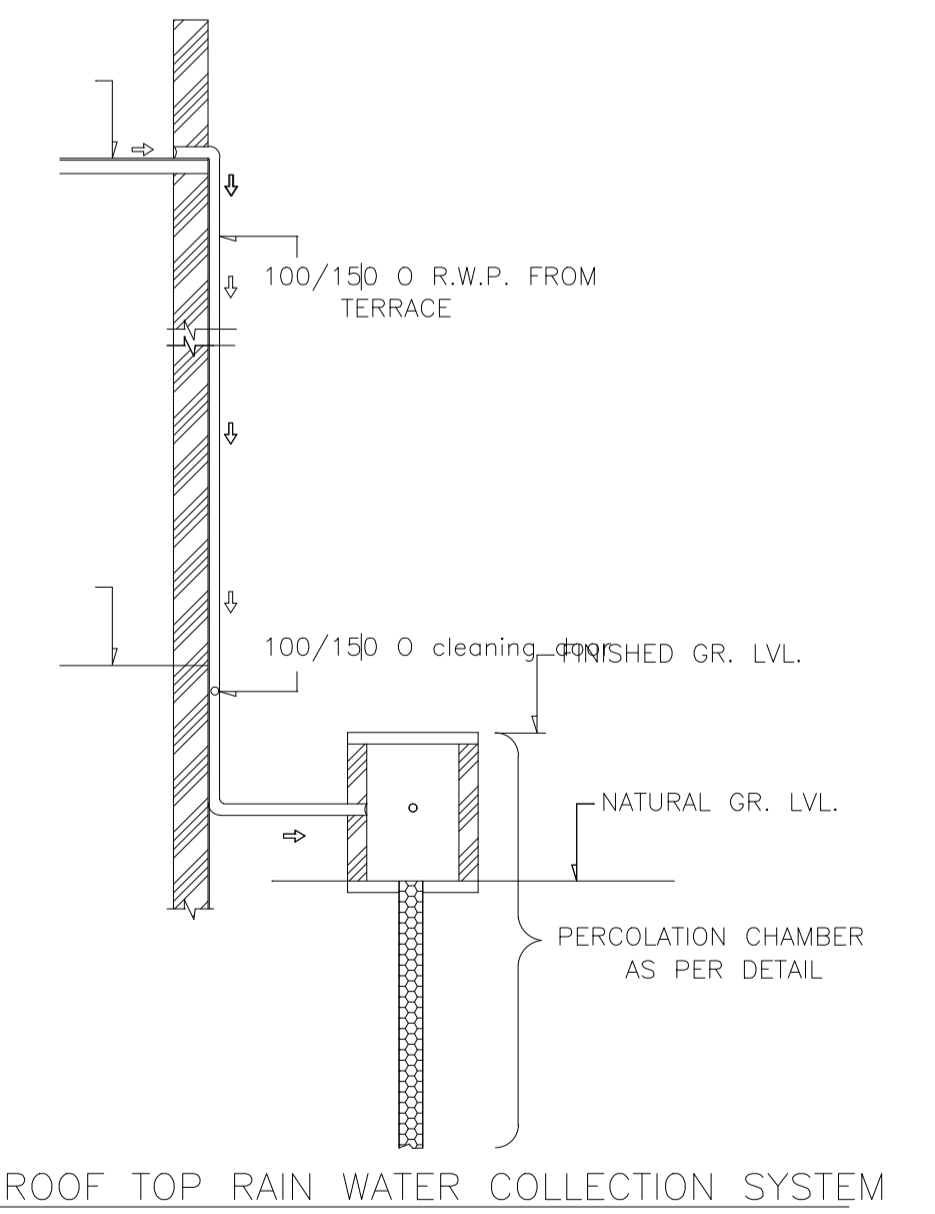
TERRACE FLOOR PLAN
(SCALE 1:100)



DETAILS OF WATER HARVESTING



DETAIL OF COLUMNS



ROOF TOP RAIN WATER COLLECTION SYSTEM

LTP NAME AND SIGNATURE	STRUCTURAL ENG'S NAME AND SIGNATURE	BUILDER NAME AND SIGNATURE	DIGITAL SIGNATURE
AMARENDRA KUMAR MADA/ENG/0008/2019			