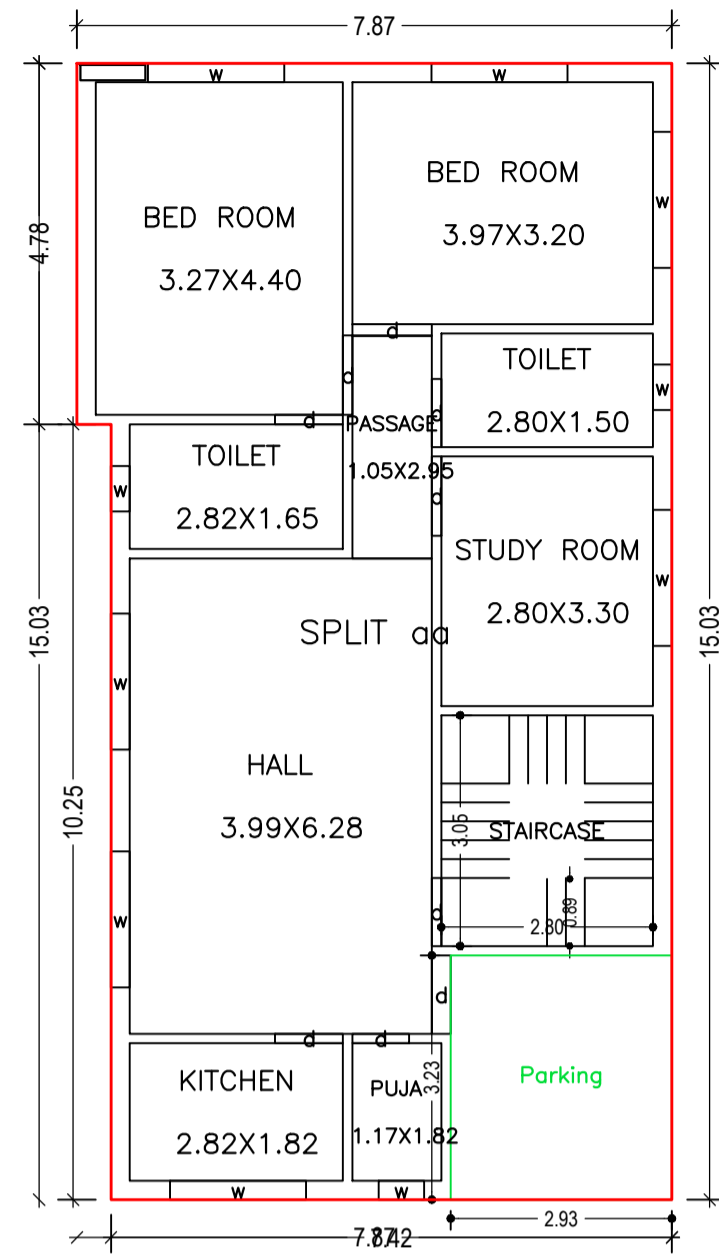
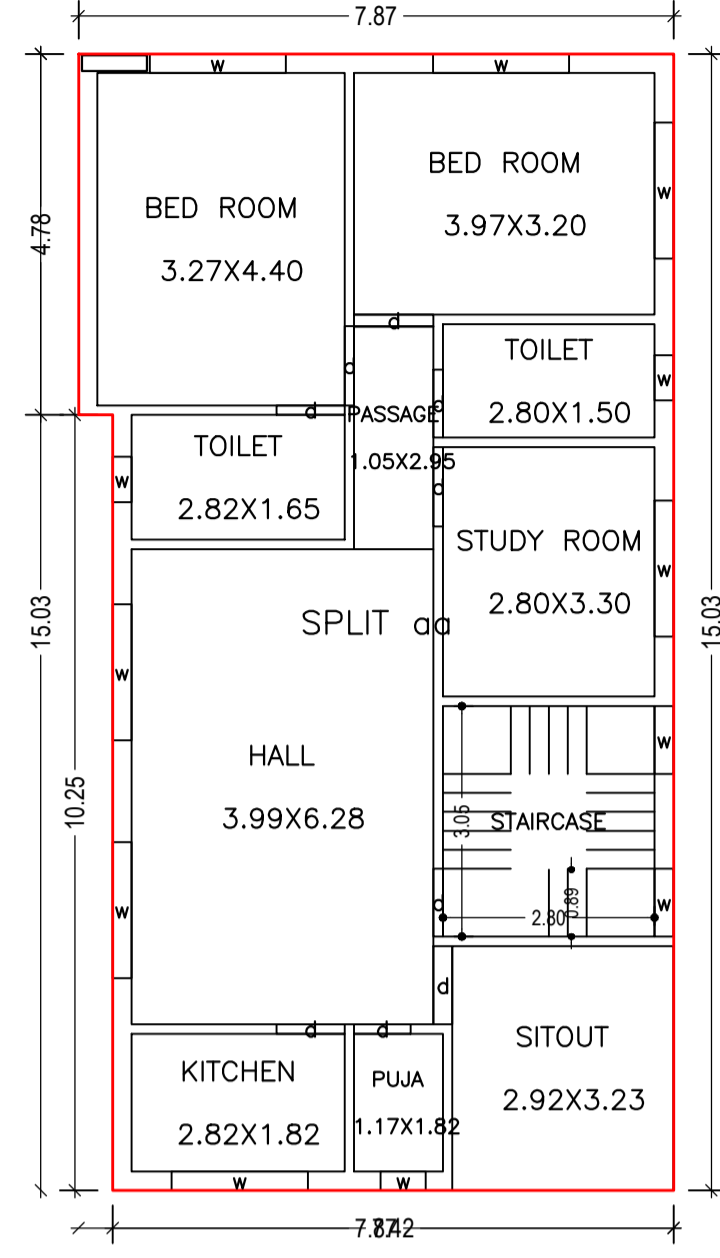


Proposal Basic Information

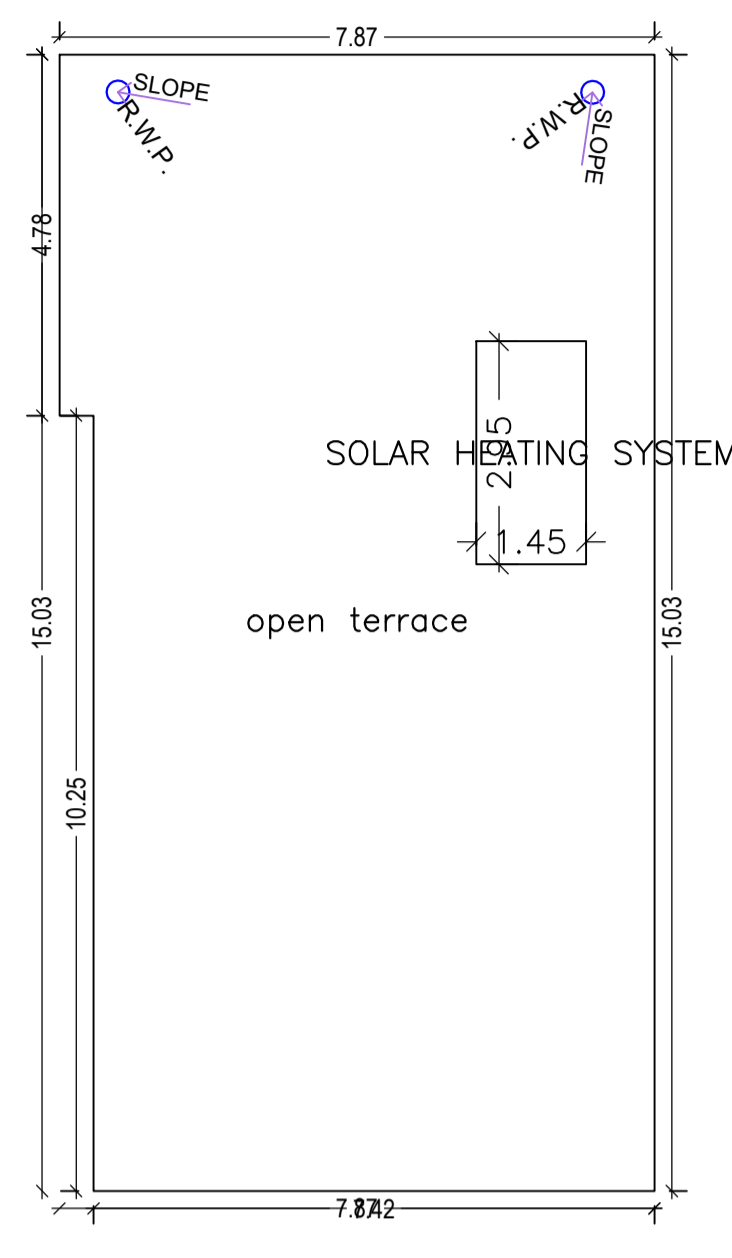
Proposal File No.	MADA/BP/0136/2020
Owner Name	SMT CHAMELI SAHAY
Khata No	OLD - 01 , NEW - 55
Plot No	OLD- 113 , 121 ,NEW - 36,53
Village Name	Narayanpur
Use	Residential
SubUse	Bungalow/ Dwelling / Non Apartment



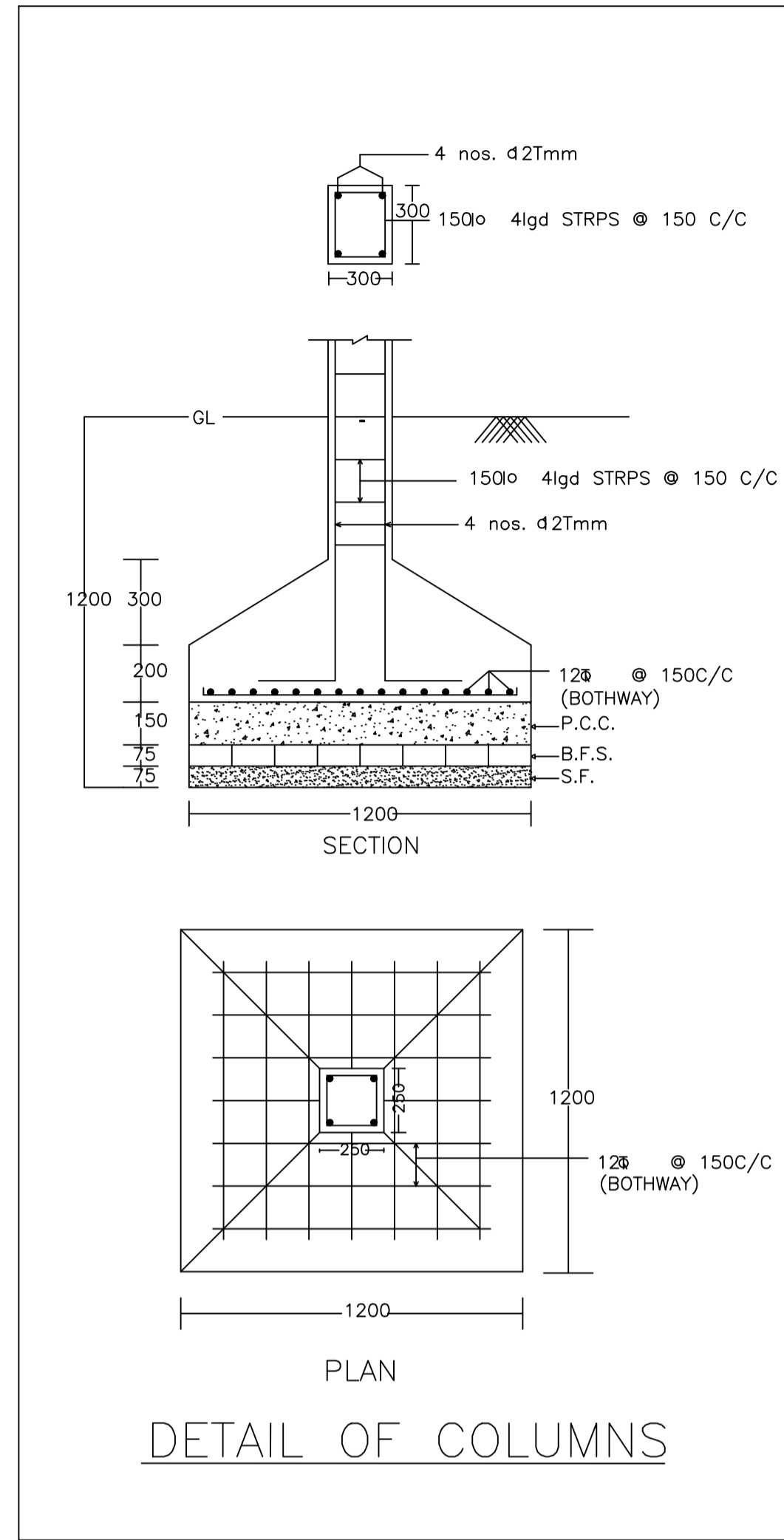
GROUND FLOOR PLAN
(Proposed)
(SCALE 1:100)



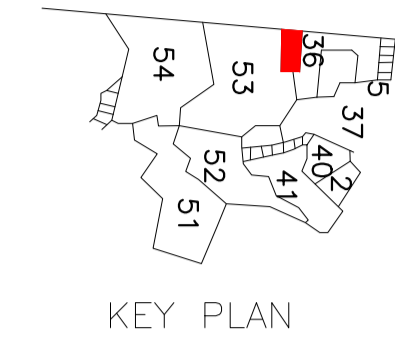
FIRST FLOOR PLAN
(Proposed)
(SCALE 1:100)



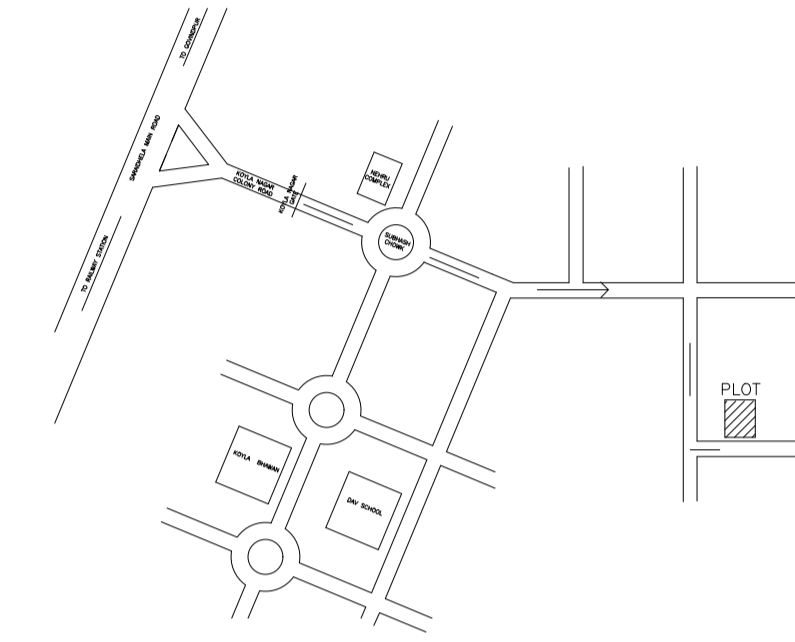
TERRACE FLOOR PLAN
(SCALE 1:100)



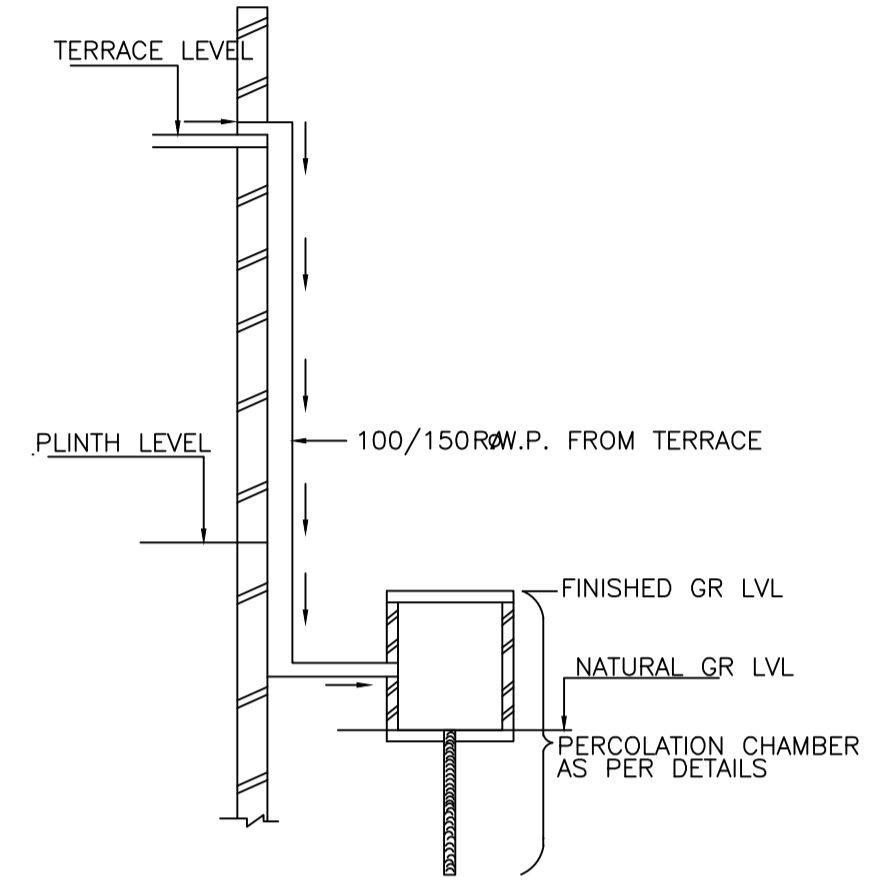
DETAIL OF COLUMNS



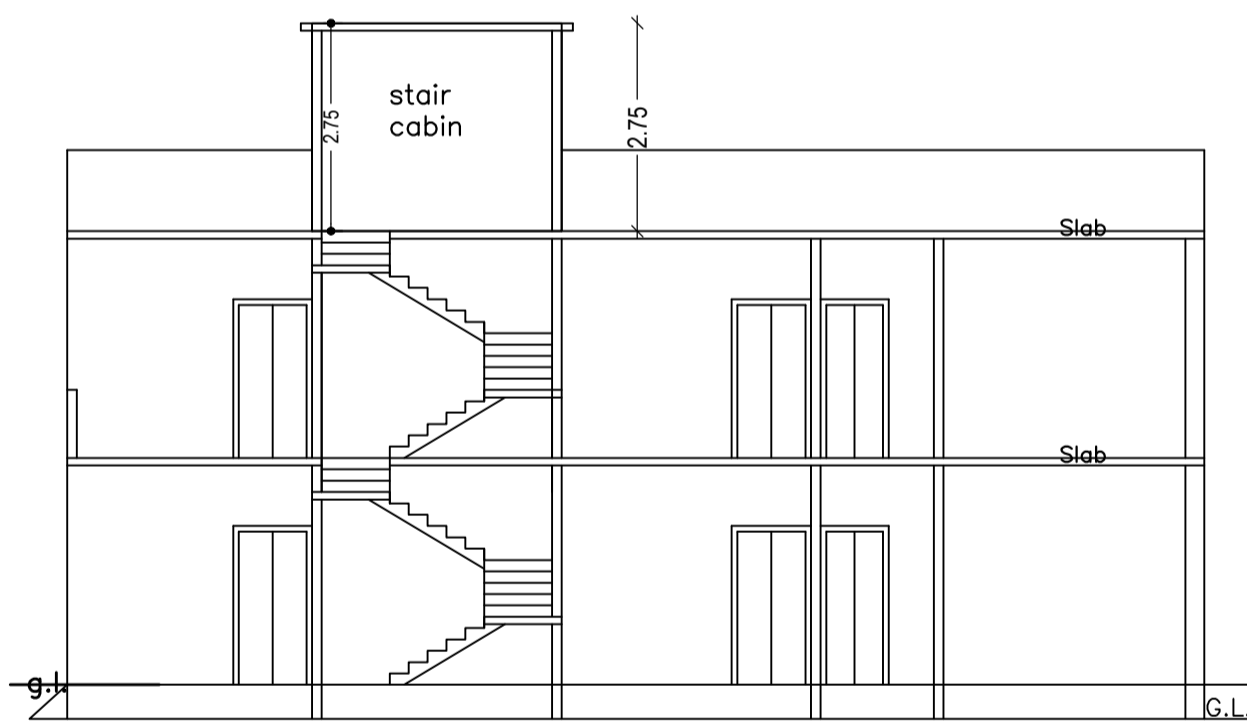
KEY PLAN



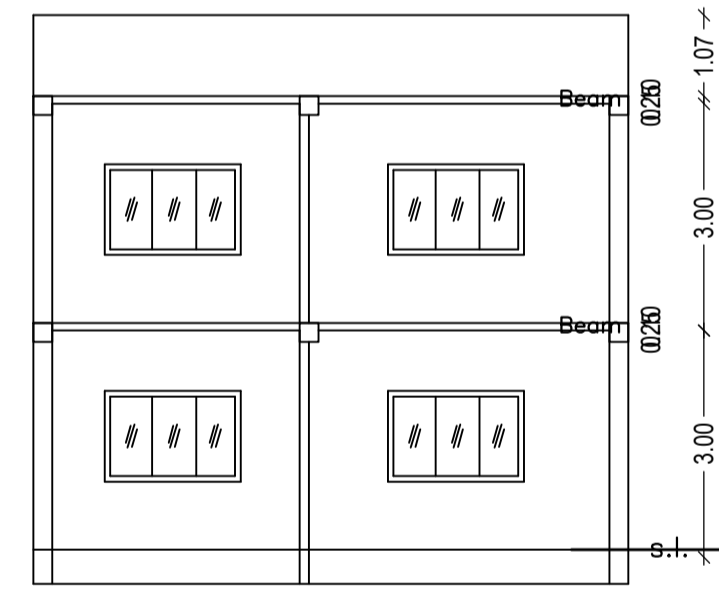
LOCATION PLAN



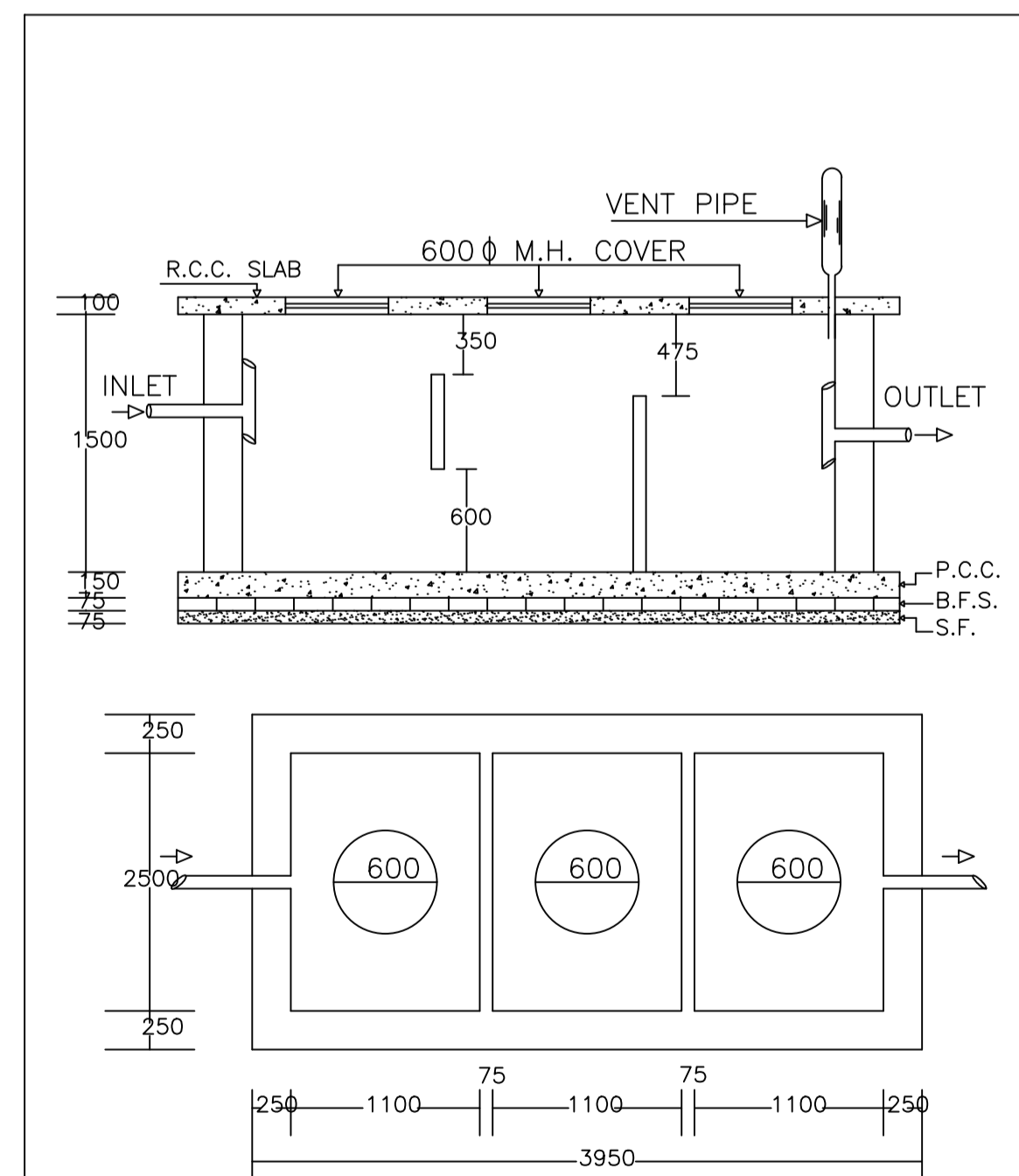
ROOF TOP RAIN WATER
COLLECTION SYSTEM



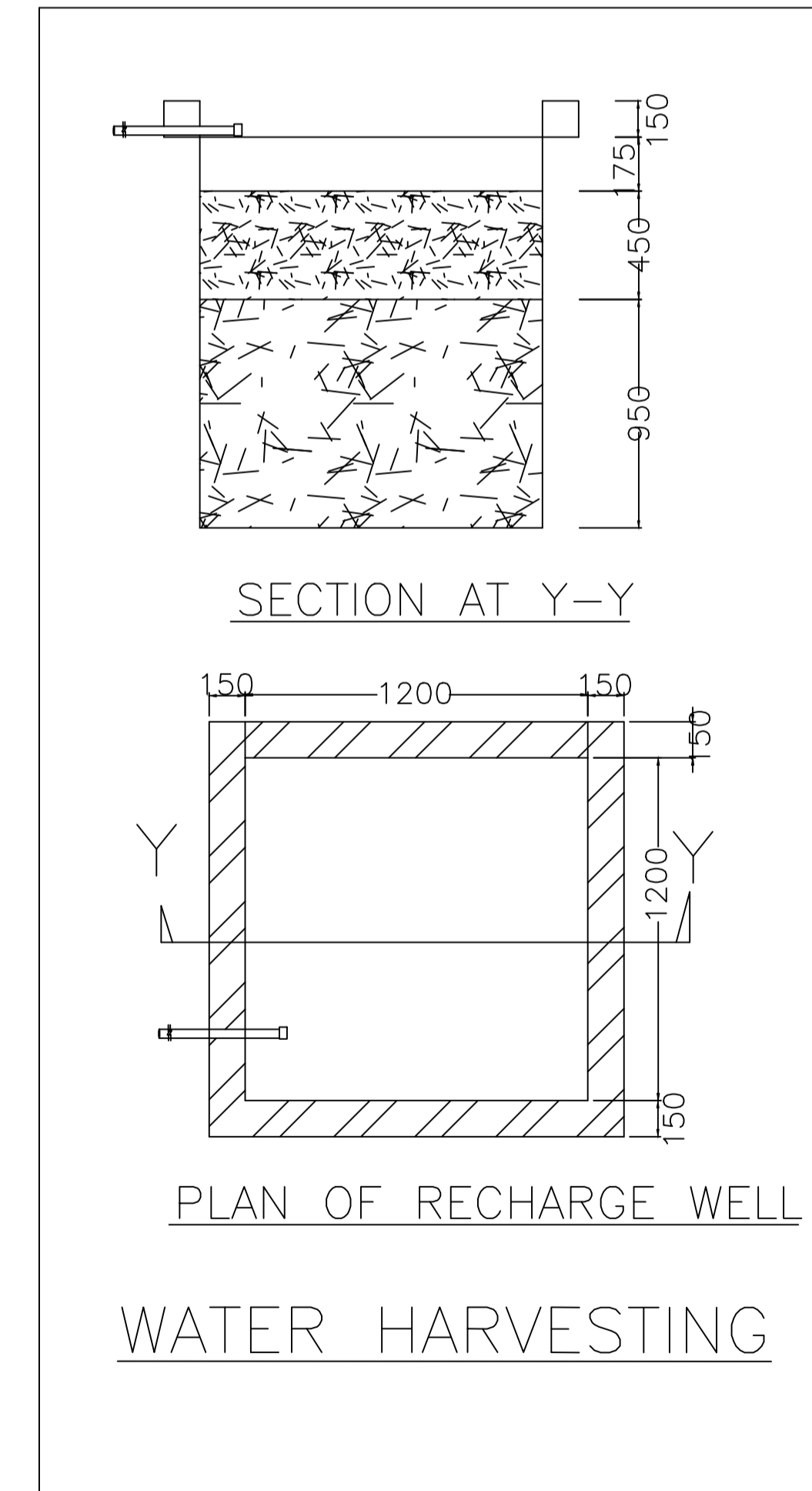
SECTION ON X-X



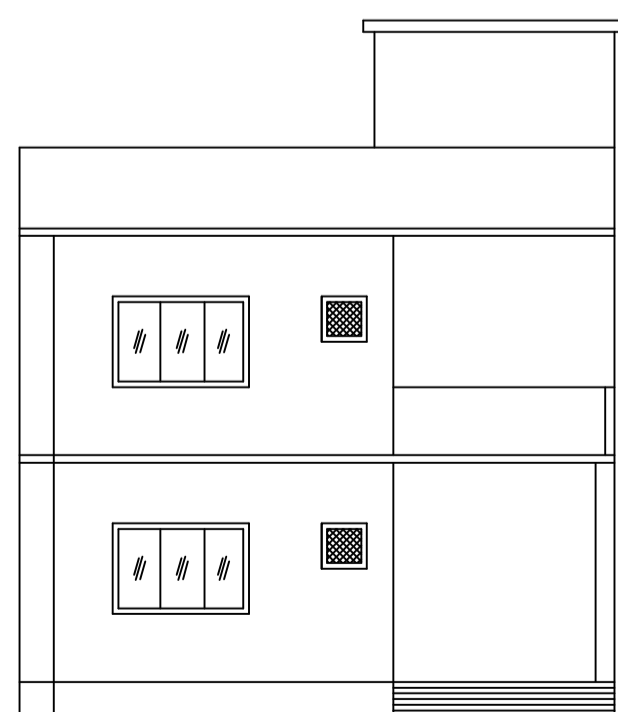
SECTION ON Y-Y



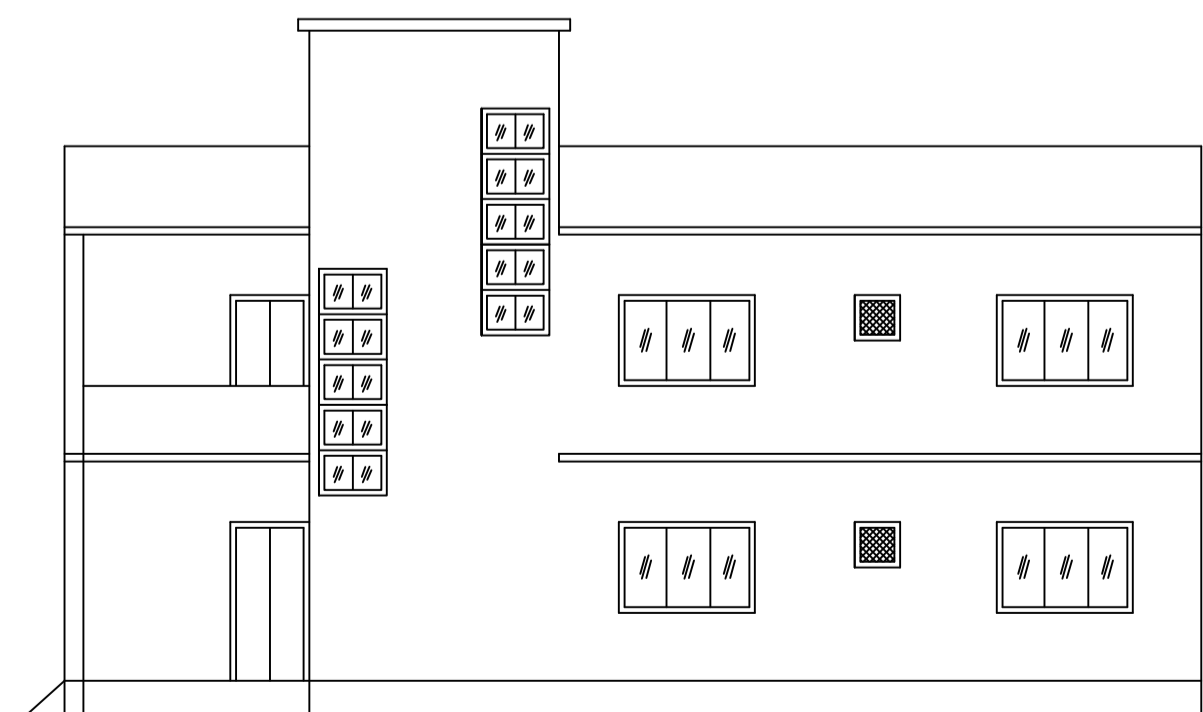
PLAN OF SEPTIC TANK



PLAN OF RECHARGE WELL
WATER HARVESTING



FRONT ELEVATION



RIGHT SIDE ELEVATION

LTP NAME AND SIGNATURE	STRUCTURAL ENG'S NAME AND SIGNATURE	BUILDER NAME AND SIGNATURE	DIGITAL SIGNATURE
AMARENDRA KUMAR MADA/ENG/0008/2019			