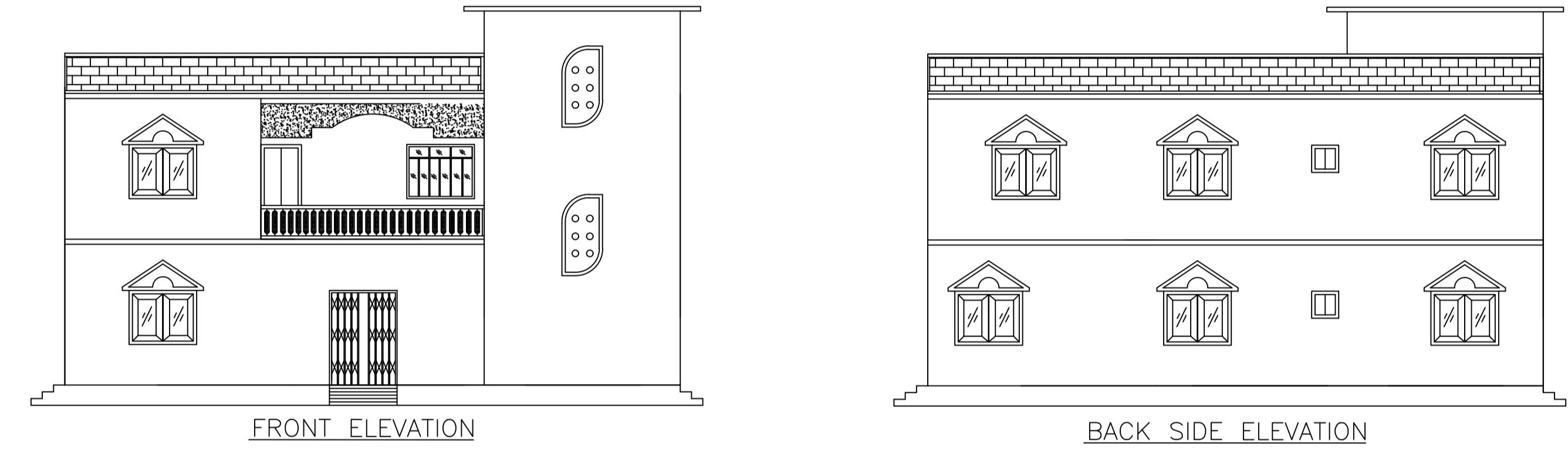
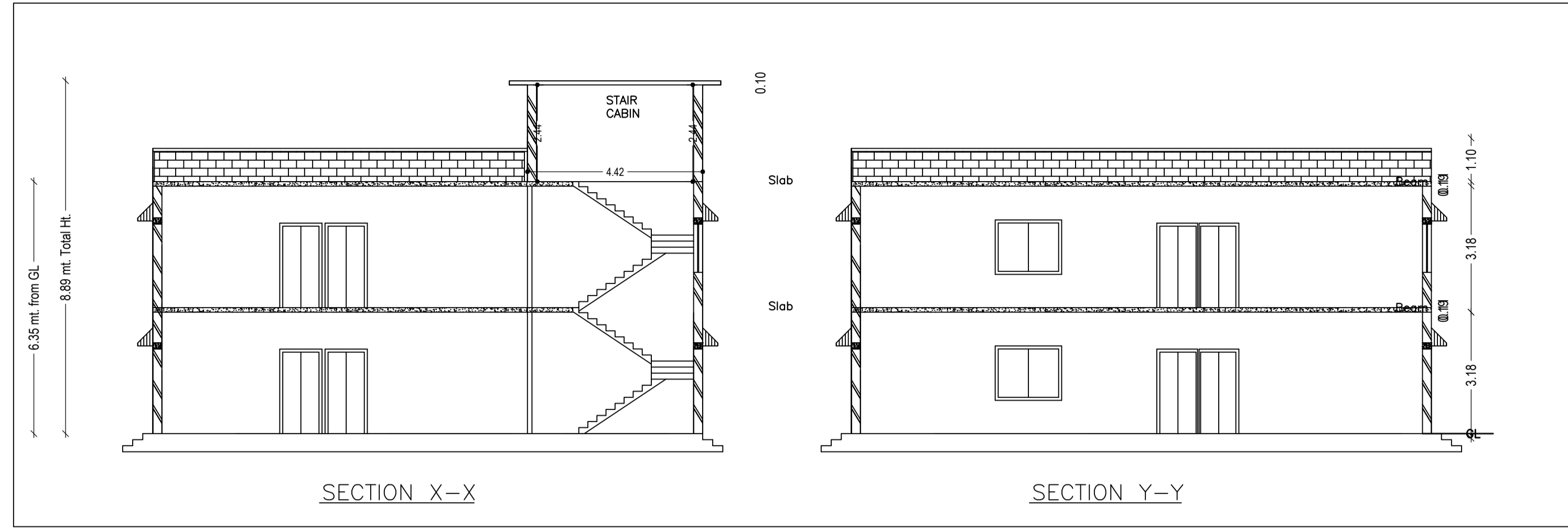
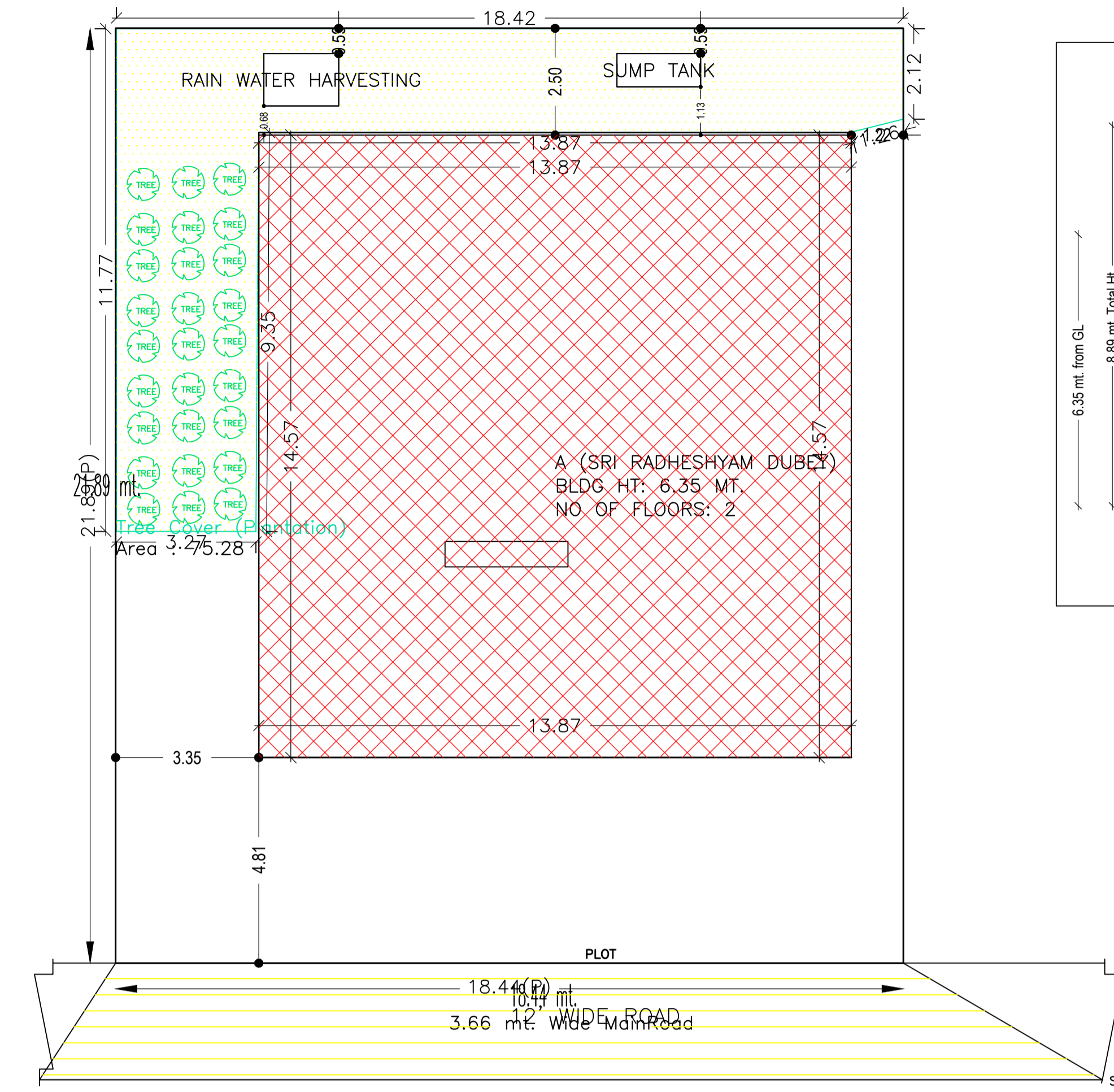


Proposal Basic Information	
Proposal File No.	MADA/BP/0011/2020
Owner Name	SRI RADHESHYAM DUBEY
Khata No	1, NEW-99
Plot No	905,907,908,NEW-700
Village Name	Jialgora
Use	Residential
SubUse	Bungalow/ Dwelling / Non Apartment



AREA STATEMENT MINERAL AREA DEVELOPMENT AUTHORITY	VERSION NO.: 1.0.62	SQ.MT.
PROJECT DETAIL:	VERSION DATE: 16/10/2020	
Region: JHARKHAND URBAN LOCAL BODIES	Plot Use: Residential	
District: DHANBAD	Plot SubUse: Bungalow/ Dwelling / Non Apartment	
Authority: MINERAL AREA DEVELOPMENT AUTHORITY	PlotNearbyReligiousStructure: NA	
Inward No: MADA/BP/011/2020	Plot/SubPlot No: 905,907,908,NEW-700	
Application Type: General Proposal	North: Road Width - 3.66	
Project Type: Building Permission	South: Plot No. - 905	
Nature of Development: New	East: Plot No. - VENDOR'S OWN LAND	
Location of Development Area: Old Area	West: Plot No. - VENDOR'S OWN LAND	
AREA OF PLOT (Minimum)	(A)	403.71
NET AREA OF PLOT(Gross Plot Area - Deduction from Gross Plot area)	(A-Deductions)	403.71
Deduction for Balance Plot Area(from Gross Plot Area)		
Common Plot		75.28
Total		75.28
BALANCE AREA OF PLOT(Net Plot Area - Recreational/Amenity space)	(A-Deductions)	328.43
PLOT AREA FOR COVERAGE(Net Plot Area)	(A-Deductions)	403.71
Plot Area for FAR (Net Plot Area + RoadWidening Area)	(A-Deductions)	403.71
COVERAGE CHECK		
Permissible Coverage area ( 60.00 % )		242.23
Proposed Coverage Area ( 50.08 % )		202.16
Total Prop. Coverage Area ( 50.08 % )		202.16
Balance coverage area ( 9.93 % )		40.07
FAR CHECK		
Perm. FAR Area ( 1.50 )		605.57
Total Perm. FAR area		605.57
Residential FAR		404.31
Proposed FAR Area		404.31
Total Proposed FAR Area		404.31
Consumed FAR (Factor)		1.00
Balance FAR Area		201.26
BUILT UP AREA CHECK		
Total Proposed BuiltUp Area		404.32
ARCHITECT (Regd)	RAJEEV RANJAN SINGH	
ENGINEER (Regd)		
SUPERVISOR (Regd)		
OWNER (Regd)	SRI RADHESHYAM DUBEY	
DEVELOPMENT AUTHORITY		LOCAL BODY

SCHEDULE OF DOOR:

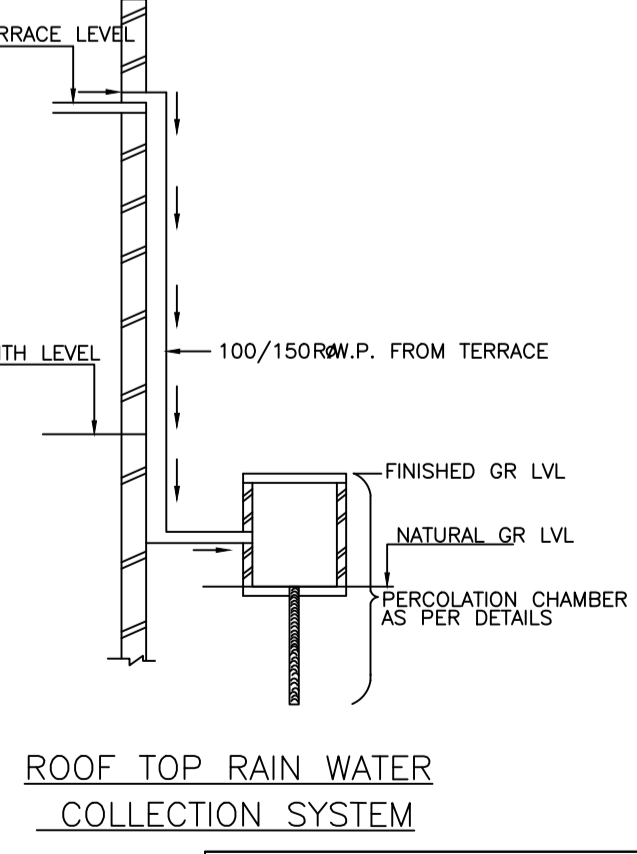
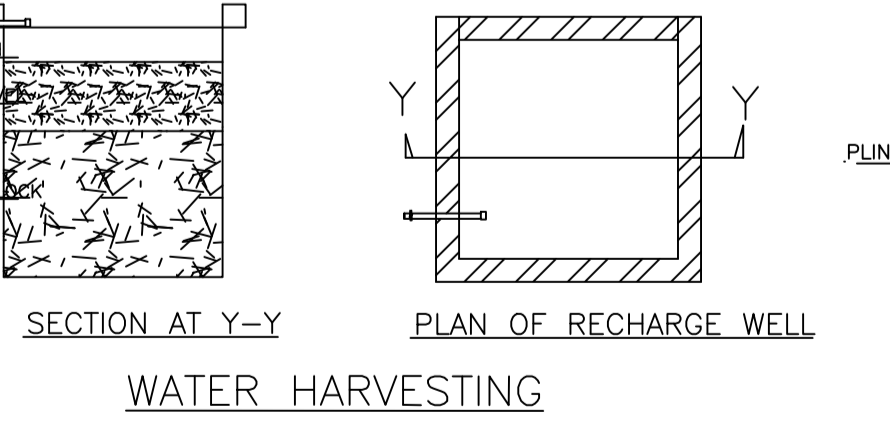
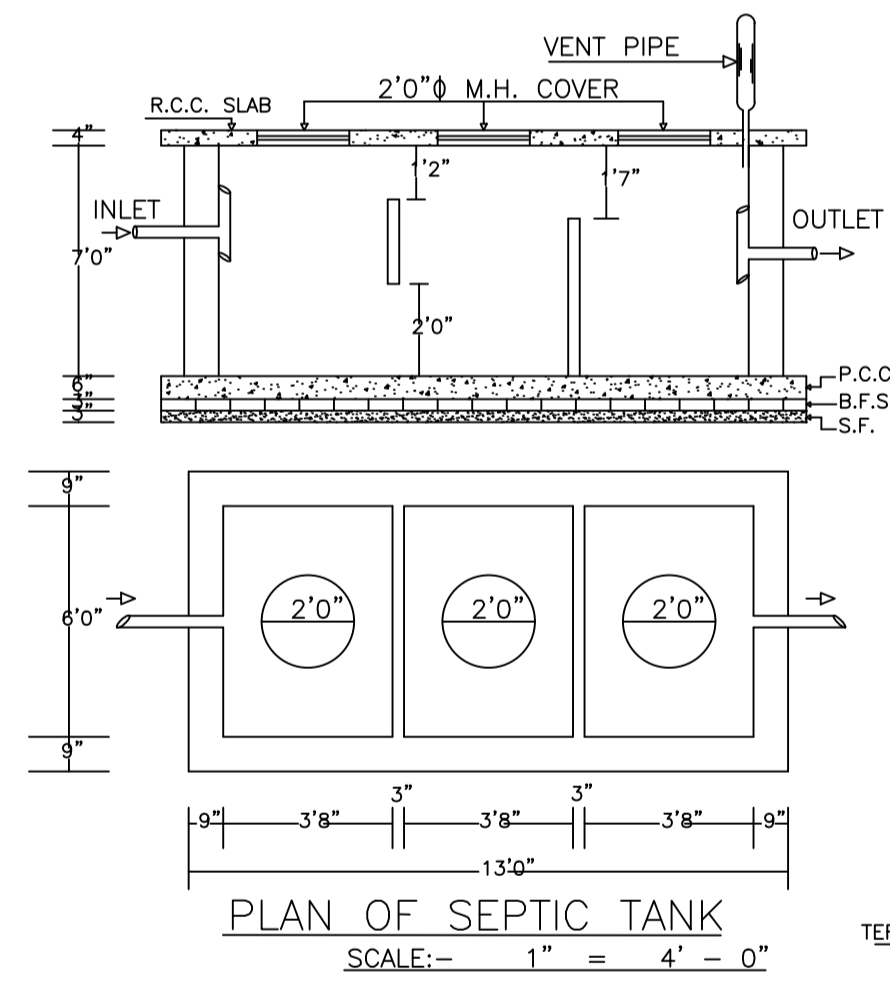
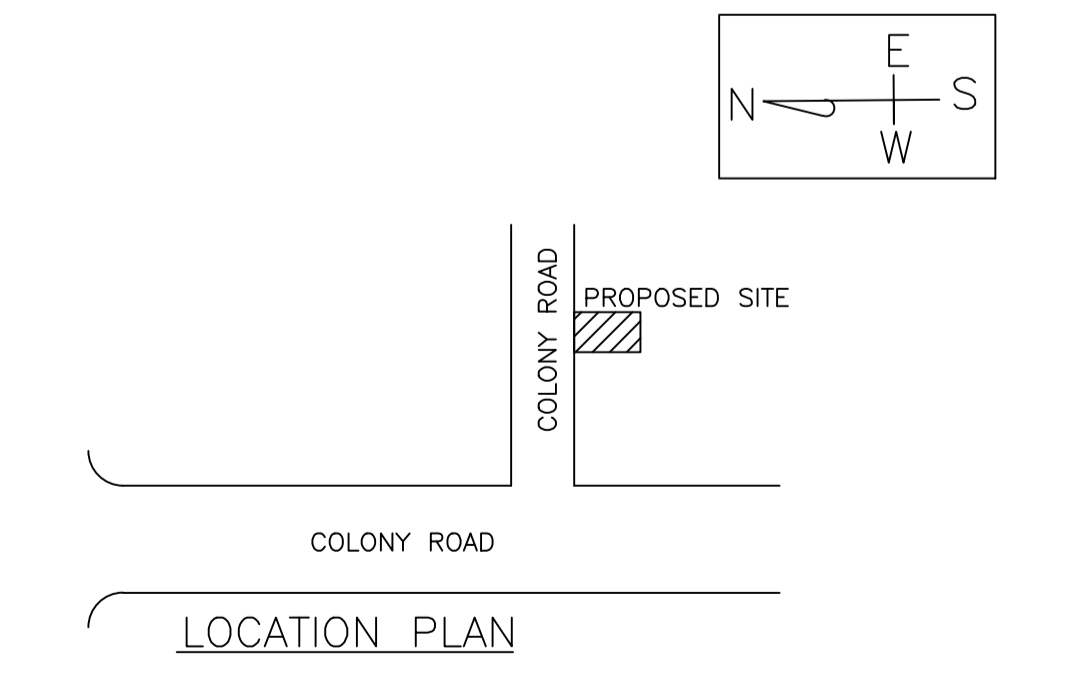
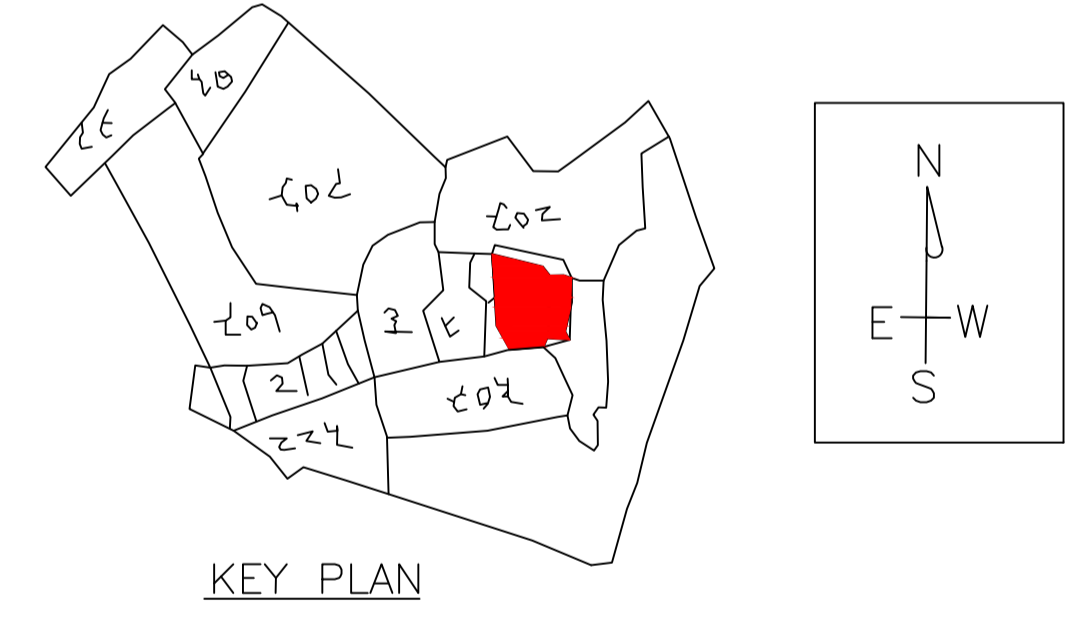
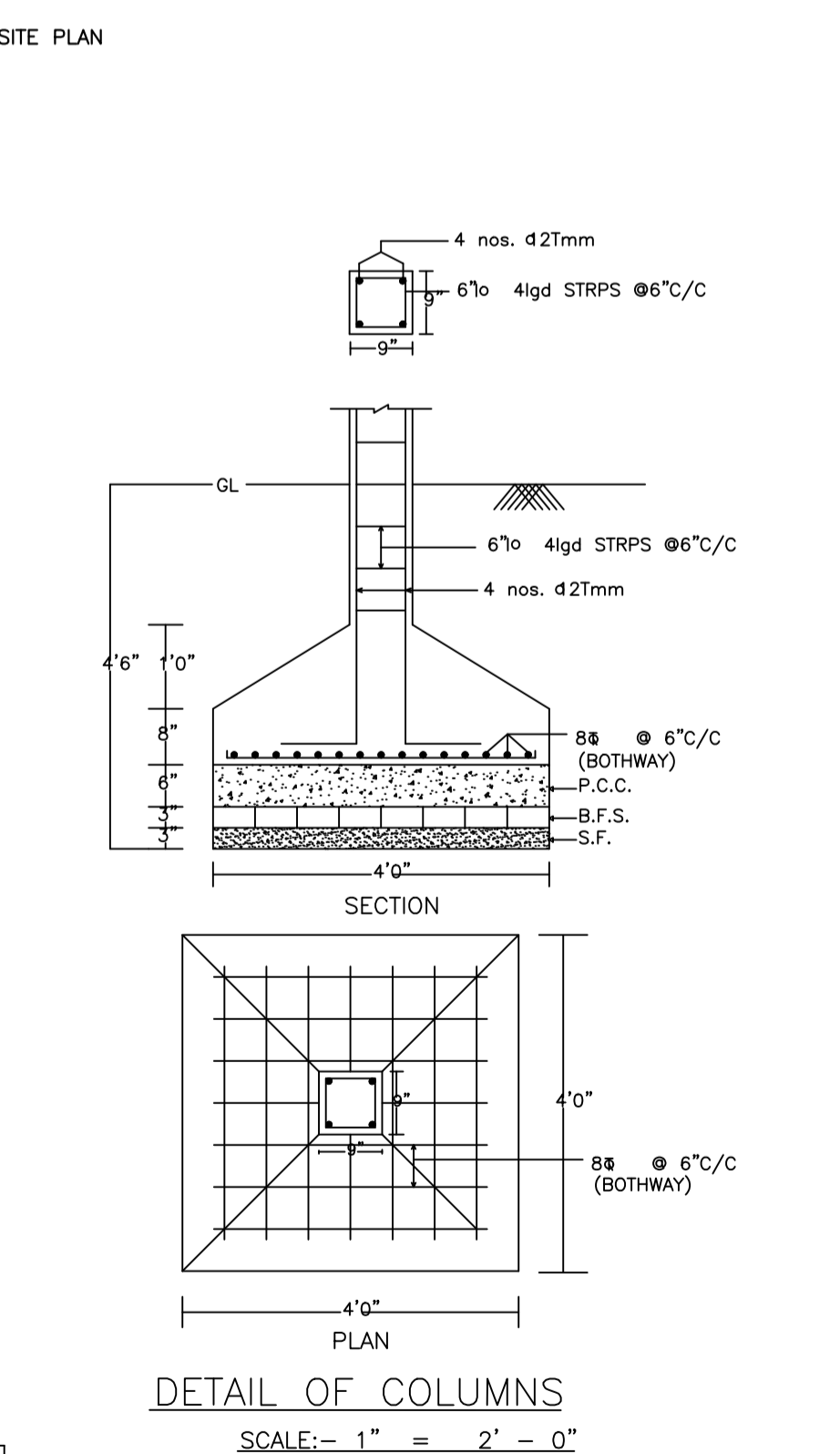
BUILDING NAME	NAME	LENGTH	HEIGHT	NOS
A (SRI RADHESHYAM DUBEY)	D	0.76	2.10	04
A (SRI RADHESHYAM DUBEY)	D	0.91	2.10	16
A (SRI RADHESHYAM DUBEY)	D	0.95	2.10	02
A (SRI RADHESHYAM DUBEY)	D	1.18	2.10	02
A (SRI RADHESHYAM DUBEY)	D	1.52	2.10	02

SCHEDULE OF WINDOW/VENTILATION:

BUILDING NAME	NAME	LENGTH	HEIGHT	NOS
A (SRI RADHESHYAM DUBEY)	W	0.82	1.20	02
A (SRI RADHESHYAM DUBEY)	W	0.84	1.20	02
A (SRI RADHESHYAM DUBEY)	W	1.02	1.20	02
A (SRI RADHESHYAM DUBEY)	W	1.10	1.20	02
A (SRI RADHESHYAM DUBEY)	W	1.36	1.20	02
A (SRI RADHESHYAM DUBEY)	W	1.42	1.20	02
A (SRI RADHESHYAM DUBEY)	W	1.52	1.20	02
A (SRI RADHESHYAM DUBEY)	W	1.88	1.20	04
A (SRI RADHESHYAM DUBEY)	W	1.93	1.20	02
A (SRI RADHESHYAM DUBEY)	W	1.98	1.20	02
A (SRI RADHESHYAM DUBEY)	W	2.15	1.20	02
A (SRI RADHESHYAM DUBEY)	W	2.18	1.20	02
A (SRI RADHESHYAM DUBEY)	W	2.20	1.20	02
A (SRI RADHESHYAM DUBEY)	W	2.26	1.20	02
A (SRI RADHESHYAM DUBEY)	W	2.30	1.20	04
A (SRI RADHESHYAM DUBEY)	W	2.31	1.20	02

Building :A (SRI RADHESHYAM DUBEY)

Floor Name	Total Built Up Area (Sq.mt.)	Proposed FAR Area (Sq.mt.)	Total FAR Area (Sq.mt.)	Total Consumed Additional FAR Area (Sq.mt.)	Tnmt (No.)
Ground Floor	202.16	202.16	202.16	202.16	01
First Floor	202.16	202.16	202.16	202.16	00
Terrace Floor	0.00	0.00	0.00	0.00	00
Total :	404.32	404.32	404.32	404.32	01
Total Number of Same Buildings :	1				
Total :	404.32	404.32	404.32	404.32	01



COLOR INDEX

PLOT BOUNDARY	Black
ABUTTING ROAD	Green
PROPOSED CONSTRUCTION	Red
COMMON PLOT	Yellow
ROAD WIDENING AREA	Blue
EXISTING (To be retained)	Orange
EXISTING (To be demolished)	Light Blue

Buildingwise Floor FAR Details

Floor Name	Building Name		Total	
	A (SRI RADHESHYAM DUBEY) Proposed Built Up Area (Sq.mt.)	Proposed FAR Area (Sq.mt.)	Total Proposed Built Up Area (Sq.mt.)	Total FAR Area (Sq.mt.)
Ground Floor	202.16	202.16	202.16	202.16
First Floor	202.16	202.16	202.16	202.16
Terrace Floor	0.00	0.00	0.00	0.00
Total :	404.32	404.32	404.32	404.32

Building USE/SUBUSE Details

Building Name	Building Use	Building SubUse	Building Structure
A (SRI RADHESHYAM DUBEY)	Residential	Residential Bldg/Apartment	Non-Highrise

UnitBUA Table for Building :A (SRI RADHESHYAM DUBEY)

FLOOR	Name	UnitBUA Type	UnitBUA Area	Carpet Area	No. of Rooms	No. of Tenement
GROUND FLOOR PLAN	SPLIT A	FLAT	404.31	404.24	13	1
FIRST FLOOR PLAN	SPLIT A	FLAT	0.00	0.00	13	0
Total:	-	-	404.31	404.24	26	1

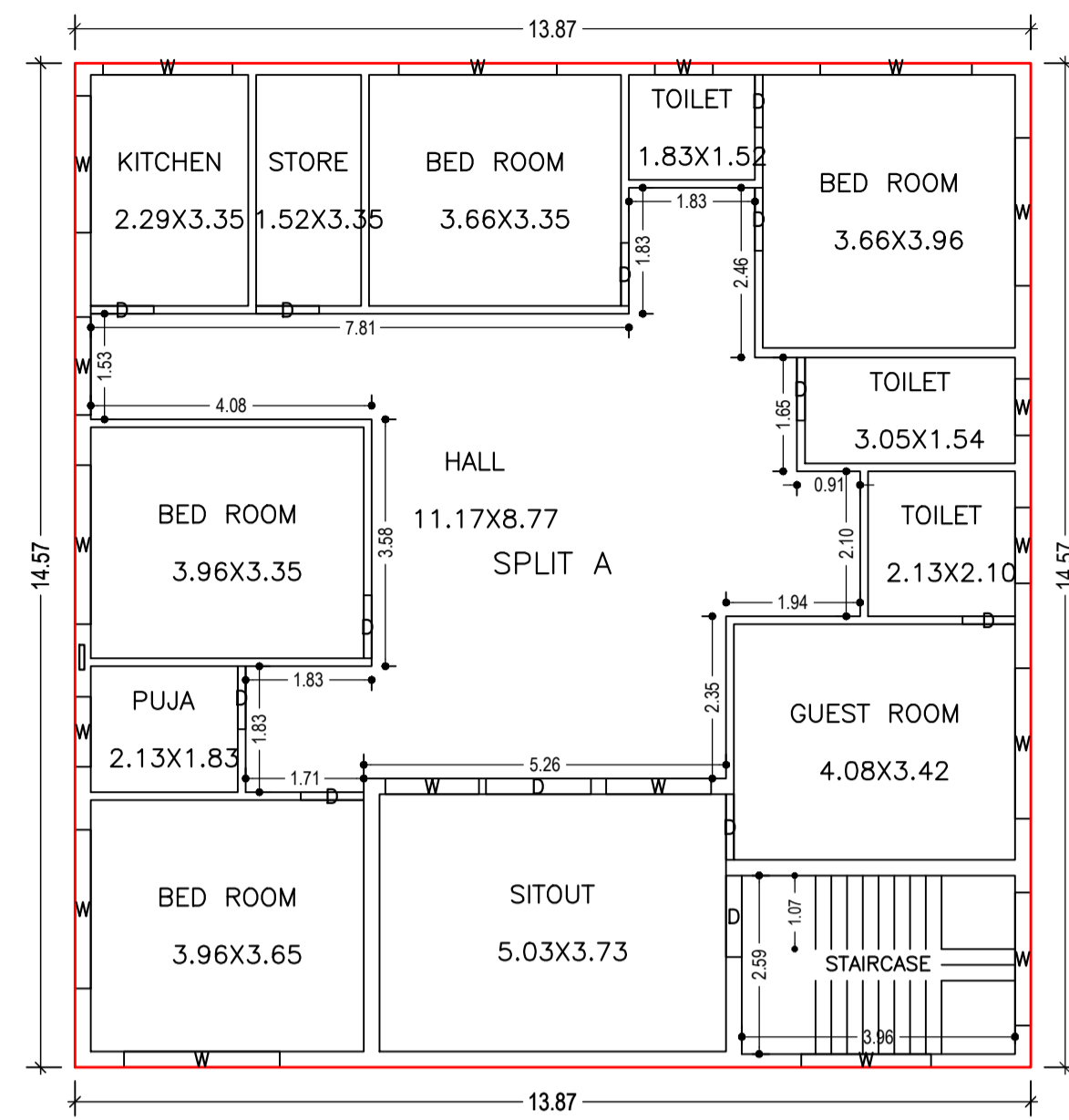
FAR & Tenement Details (Table 4c-1)

Building	No. of Same Bldg	Total Built Up Area (Sq.mt.)	Proposed FAR Area (Sq.mt.)	Total FAR Area (Sq.mt.)	Total Consumed Additional FAR Area (Sq.mt.)	Tnmt (No.)
A (SRI RADHESHYAM DUBEY)	1	404.32	404.32	404.32	404.32	01
Grand Total :	1	404.32	404.32	404.32	404.32	01

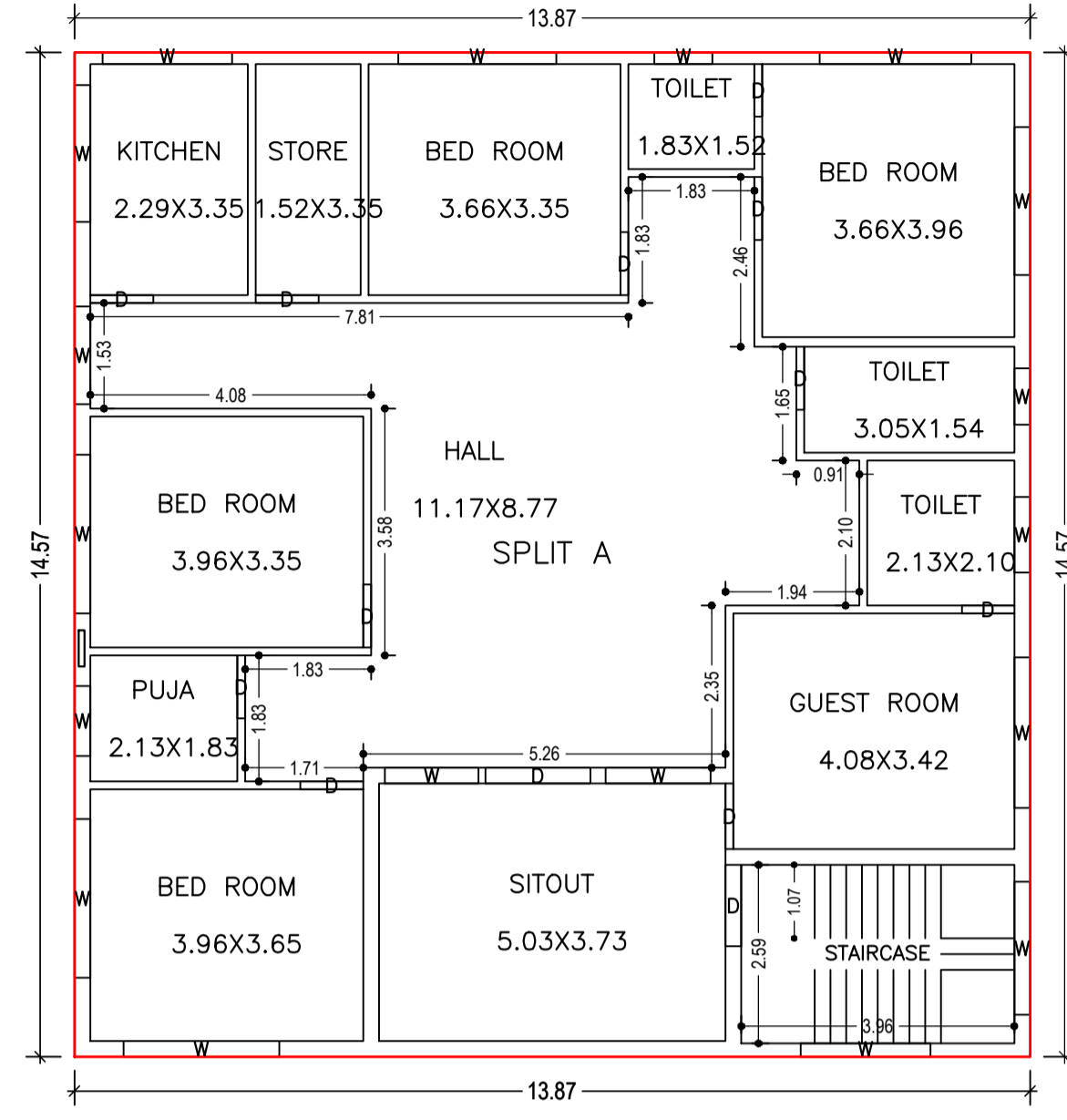
LTP NAME AND SIGNATURE RAJEEV RANJAN SINGH MADA/ENG/0004/2019	STRUCTURAL ENG'S NAME AND SIGNATURE	BUILDER NAME AND SIGNATURE	DIGITAL SIGNATURE
---	-------------------------------------	----------------------------	-------------------

Proposal Basic Information

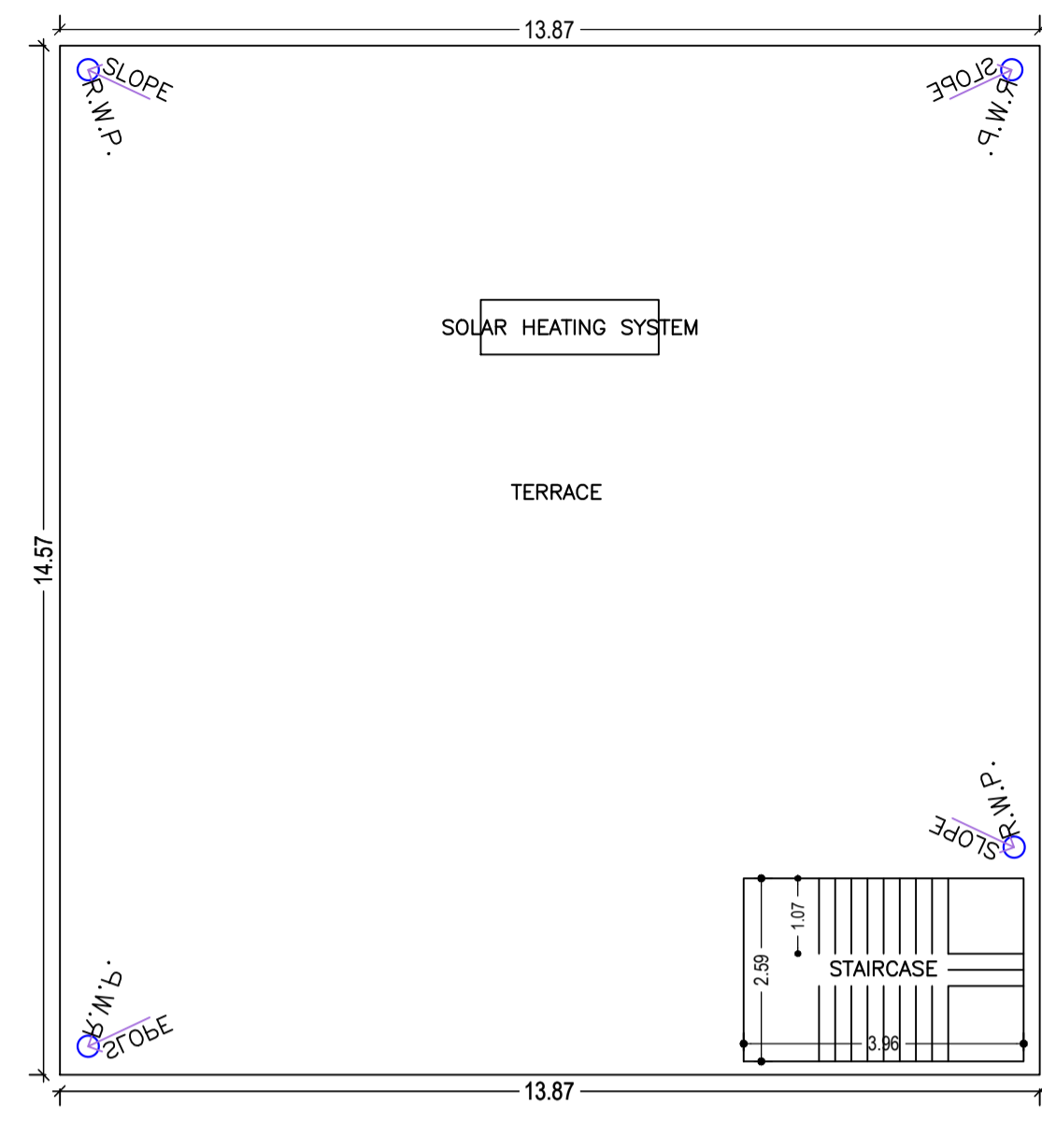
Proposal File No.	MADA/BP/0011/2020
Owner Name	SRI RADHESHYAM DUBEY
Khata No	1, NEW-99
Plot No	905,907,908,NEW-700
Village Name	Jialgora
Use	Residential
SubUse	Bungalow/ Dwelling / Non Apartment



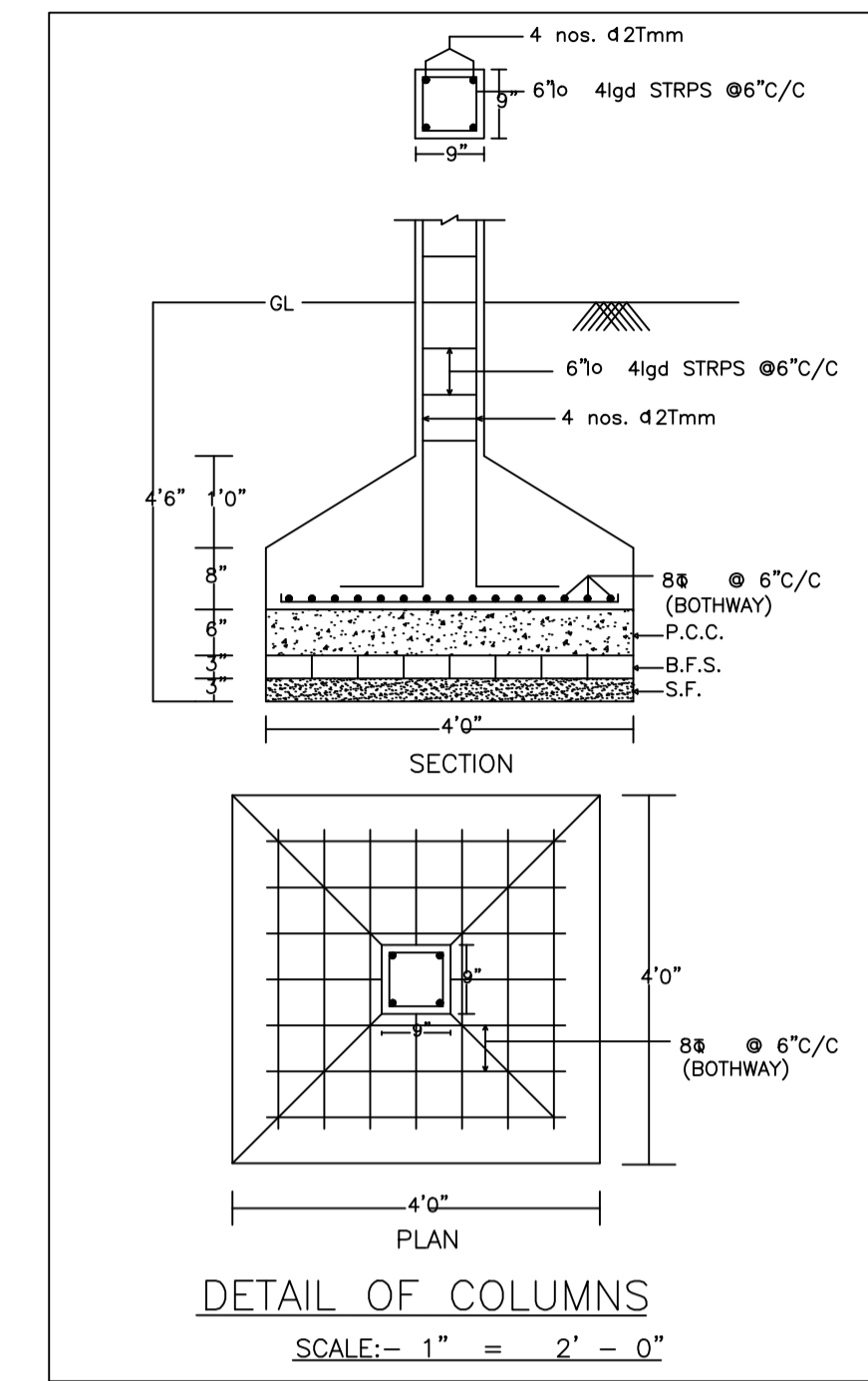
GROUND FLOOR PLAN  
(Proposed)  
(SCALE 1:100)



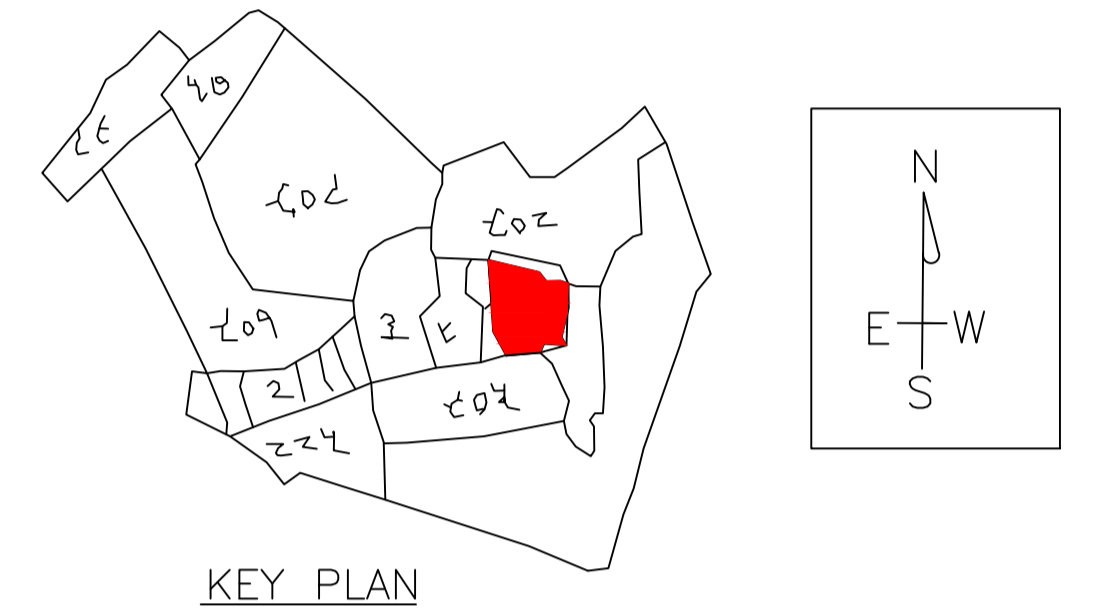
FIRST FLOOR PLAN  
(Proposed)  
(SCALE 1:100)



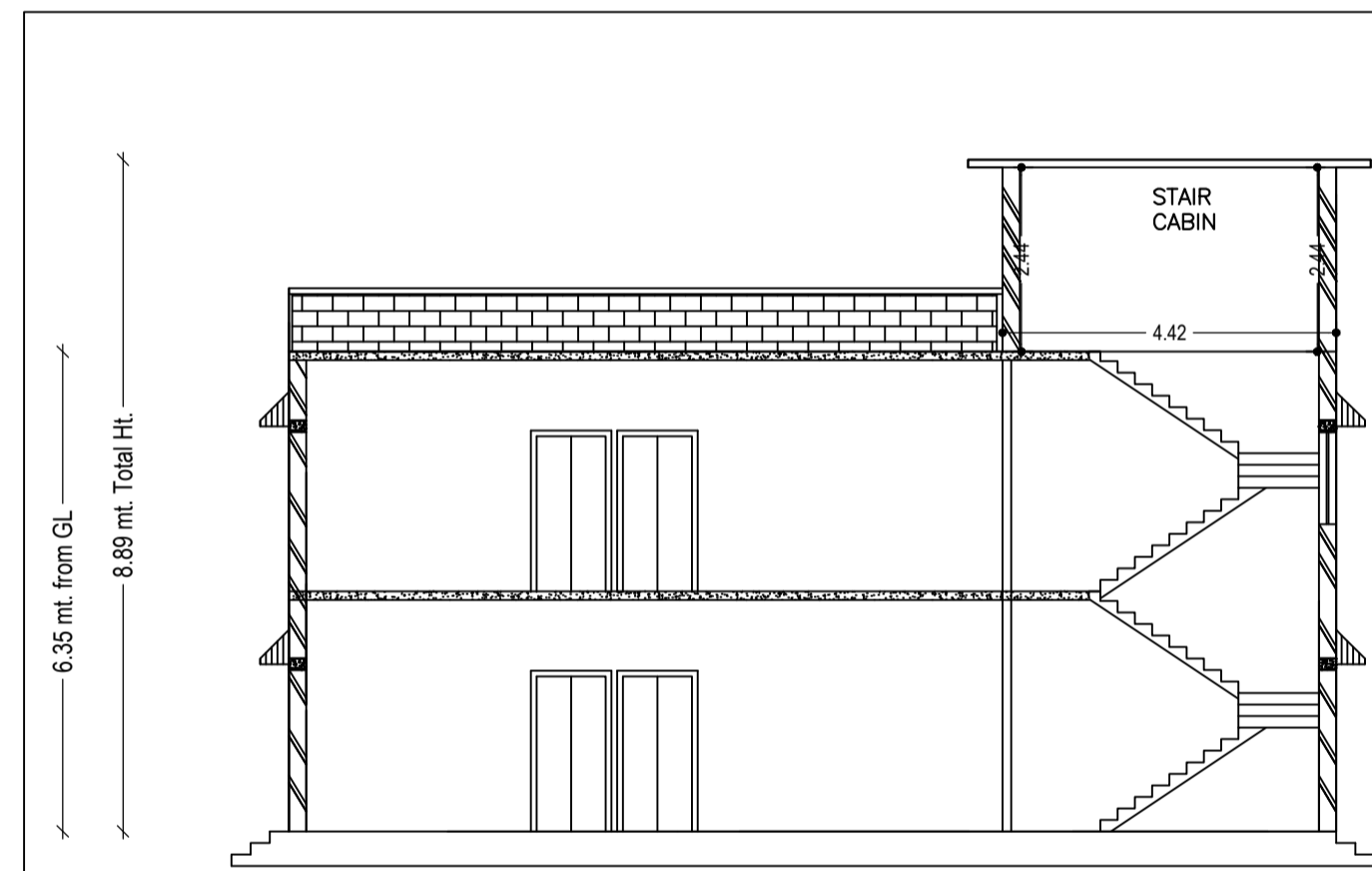
TERRACE FLOOR PLAN  
(SCALE 1:100)



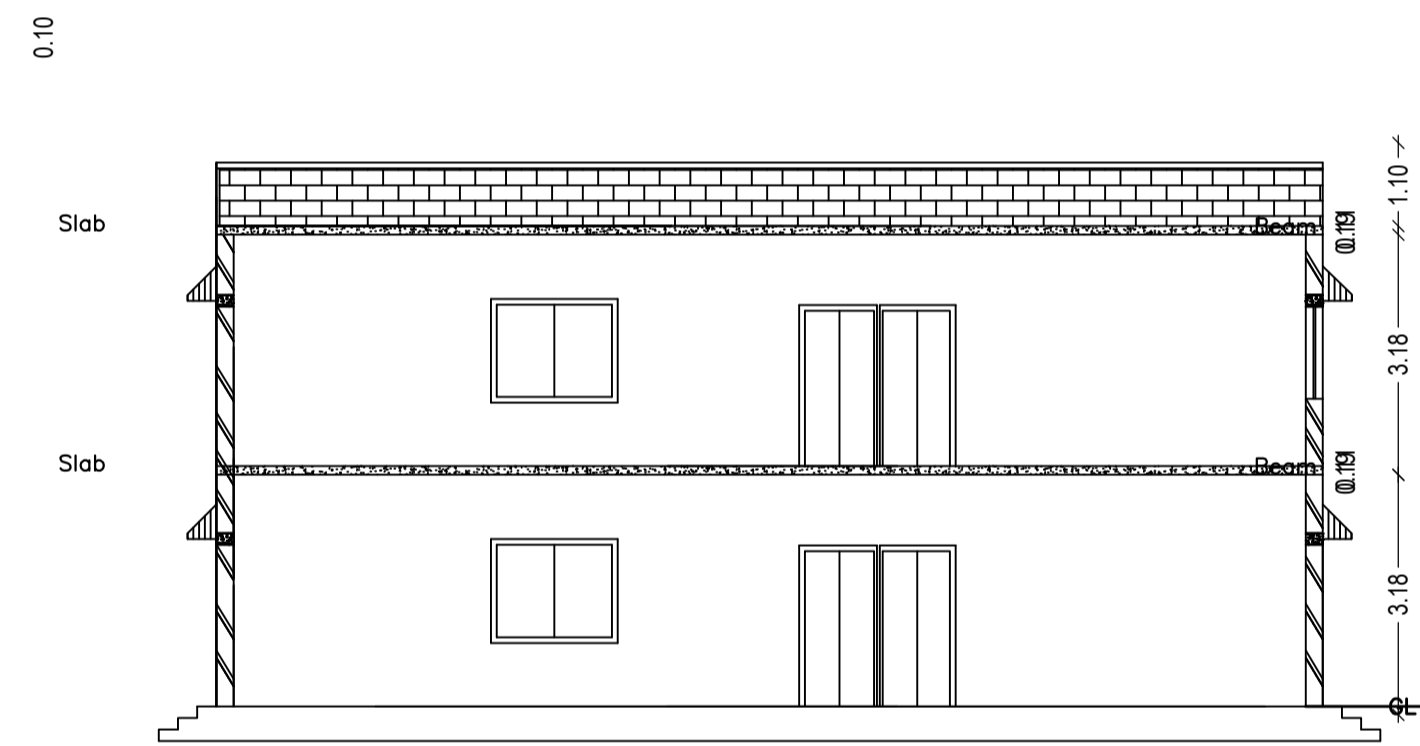
DETAIL OF COLUMNS  
SCALE:- 1" = 2' - 0"



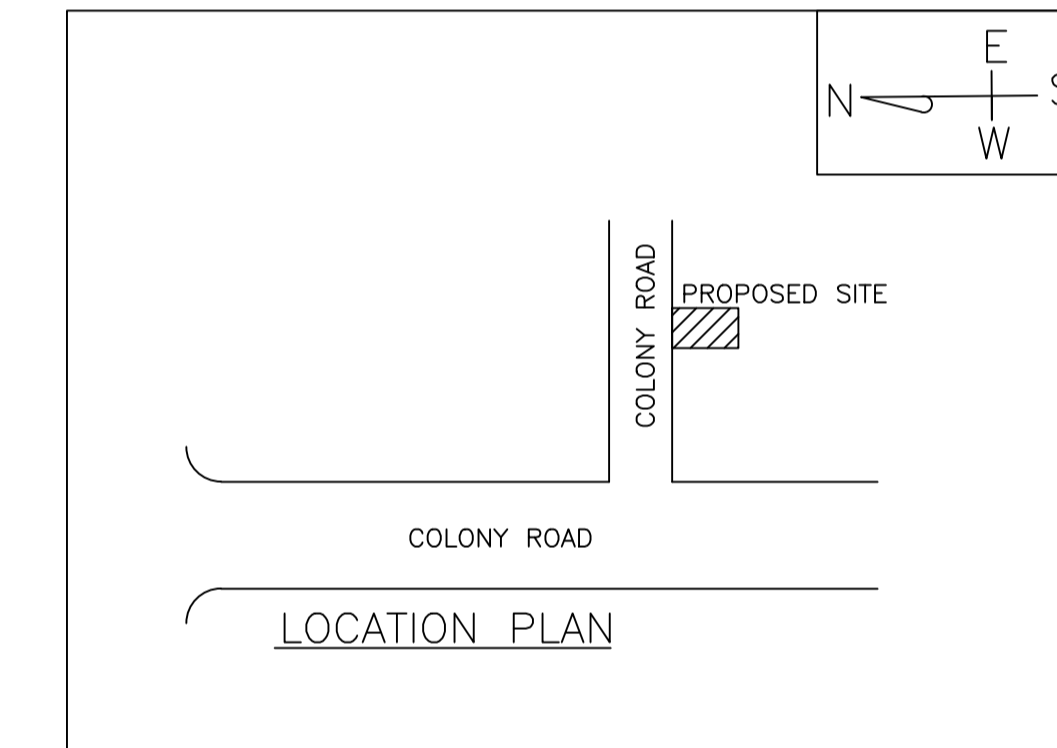
KEY PLAN



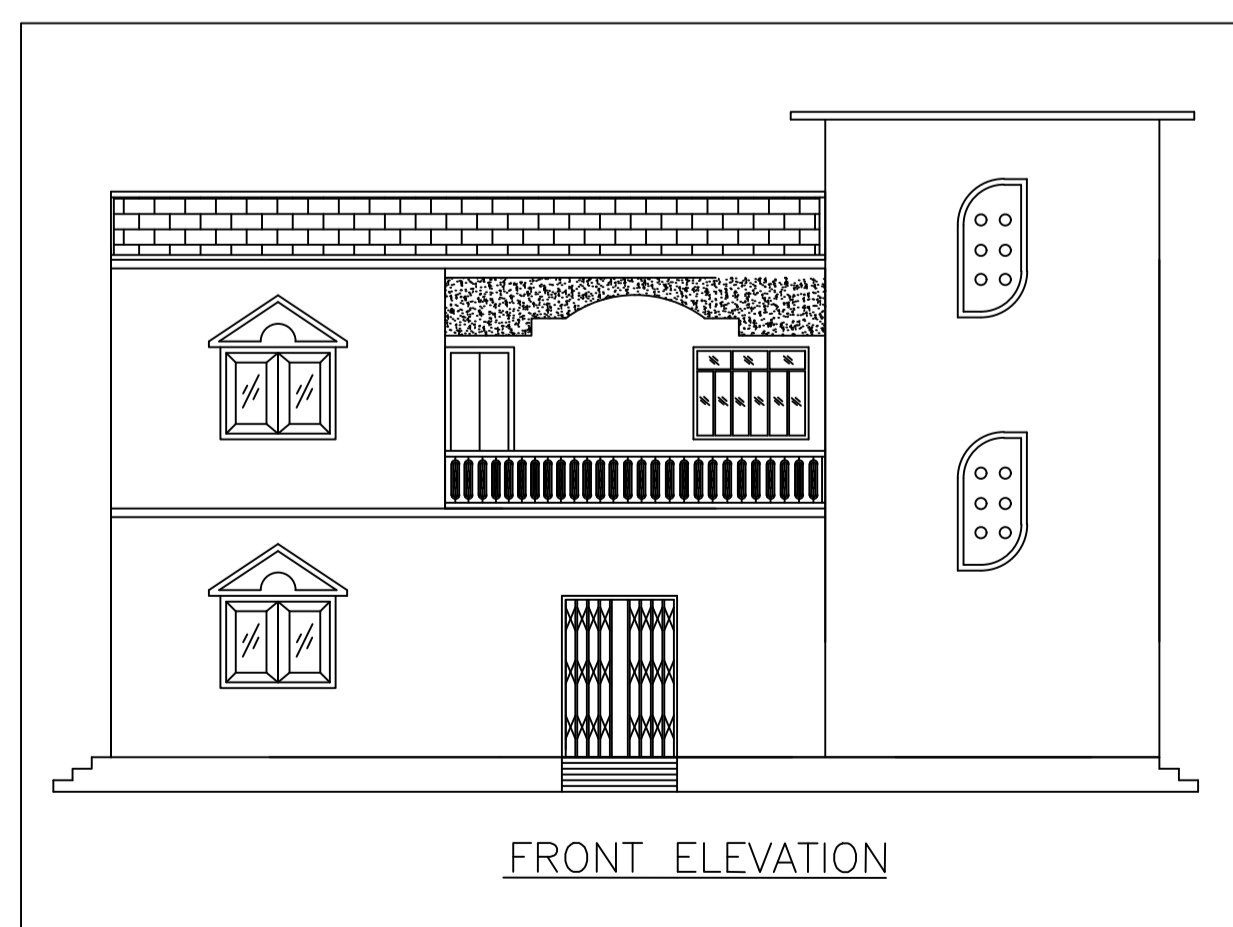
SECTION X-X



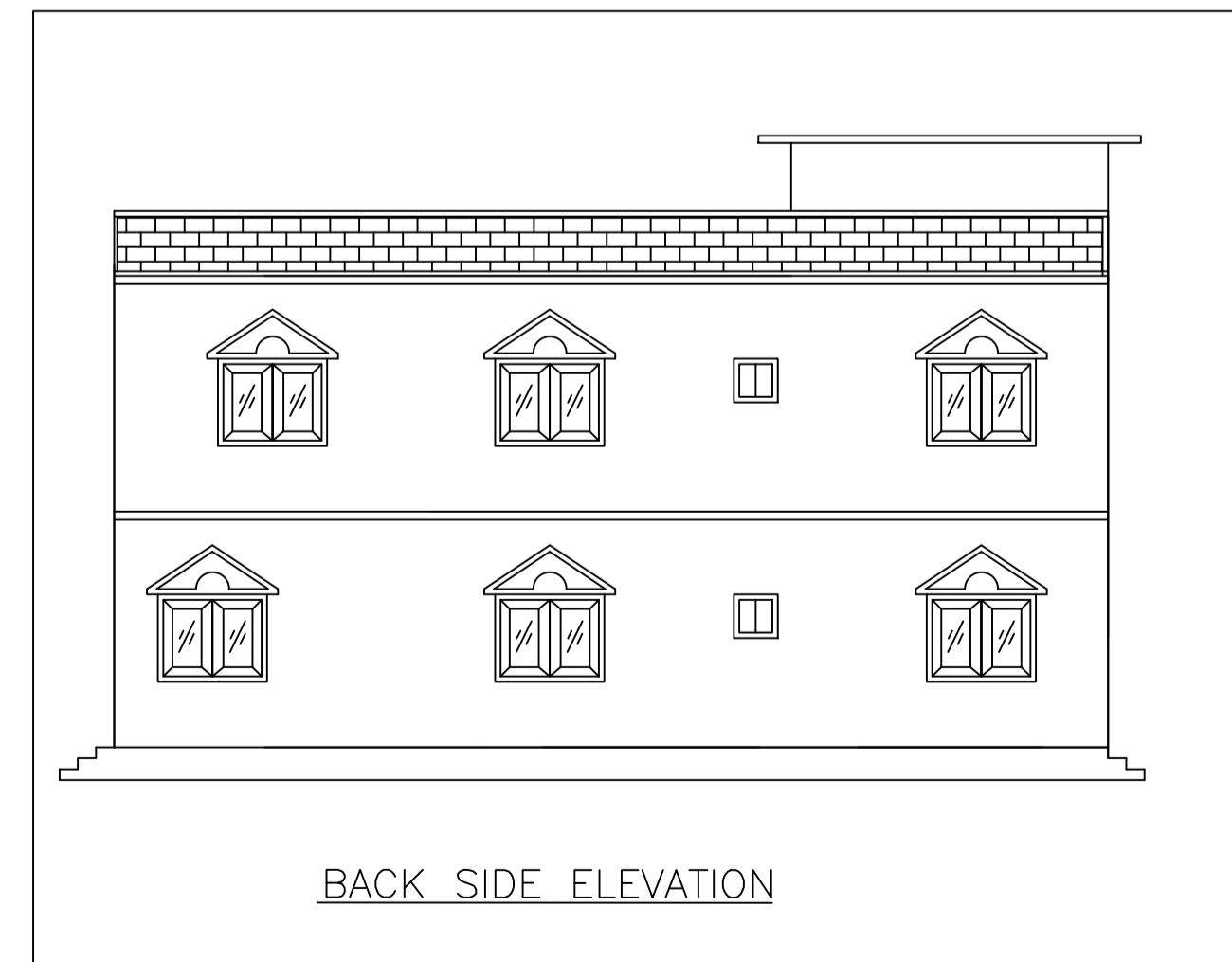
SECTION Y-Y



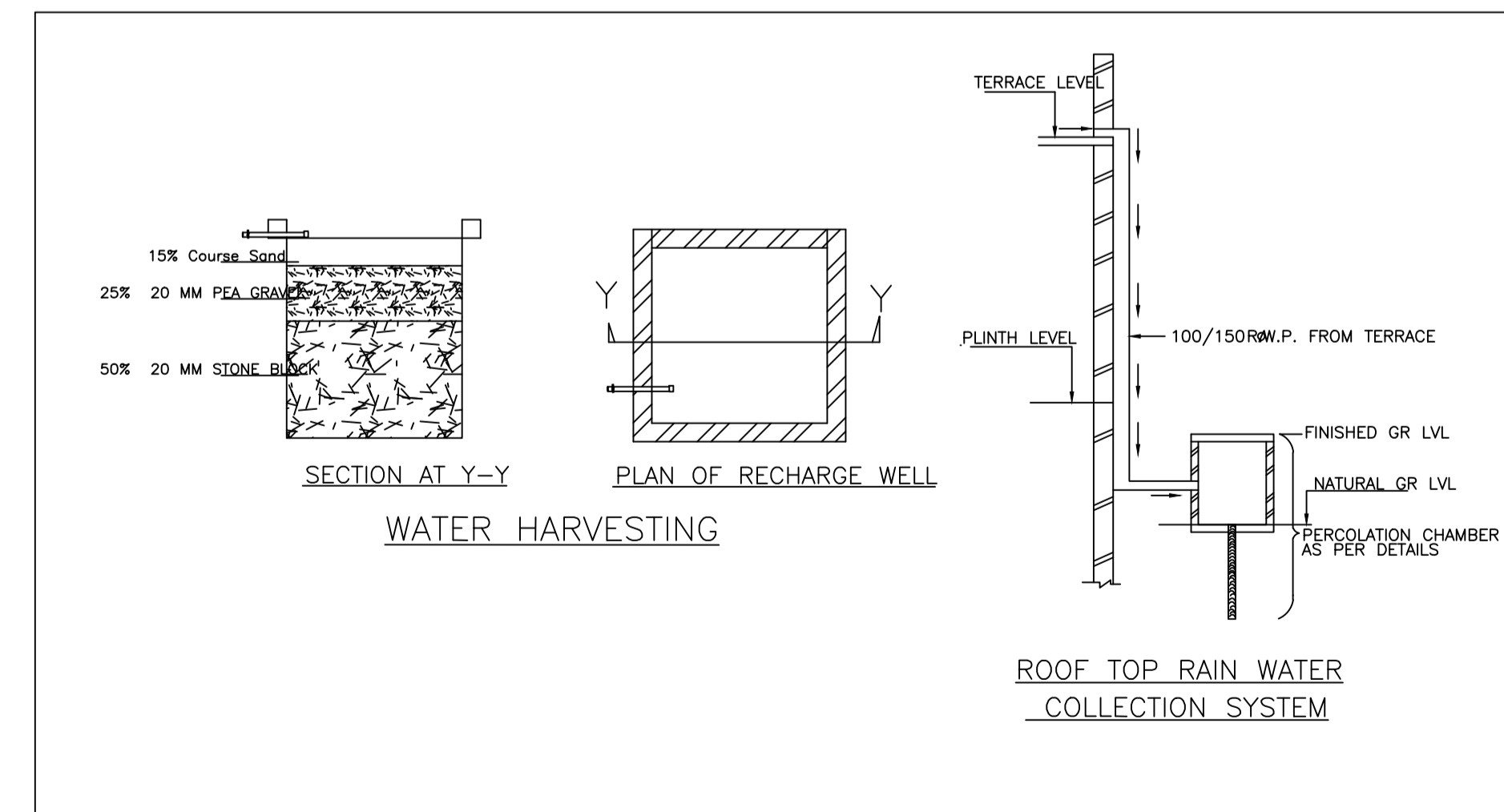
LOCATION PLAN



FRONT ELEVATION

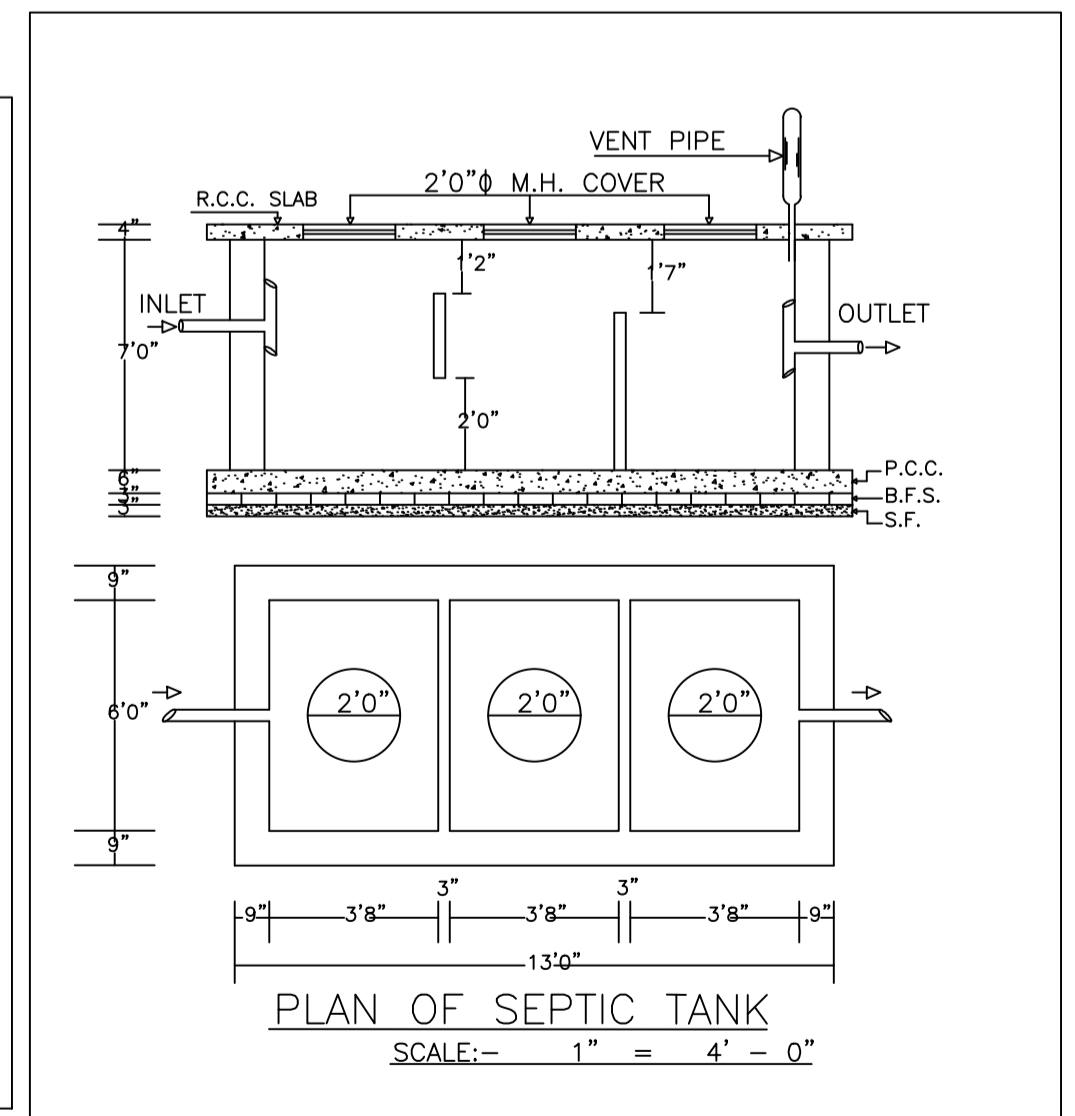


BACK SIDE ELEVATION



WATER HARVESTING

ROOF TOP RAIN WATER  
COLLECTION SYSTEM



PLAN OF SEPTIC TANK  
SCALE:- 1" = 4' - 0"

LTP NAME AND SIGNATURE RAJEEV RANJAN SINGH MADA/ENG/0004/2019	STRUCTURAL ENG'S NAME AND SIGNATURE	BUILDER NAME AND SIGNATURE	DIGITAL SIGNATURE
---	-------------------------------------	----------------------------	-------------------