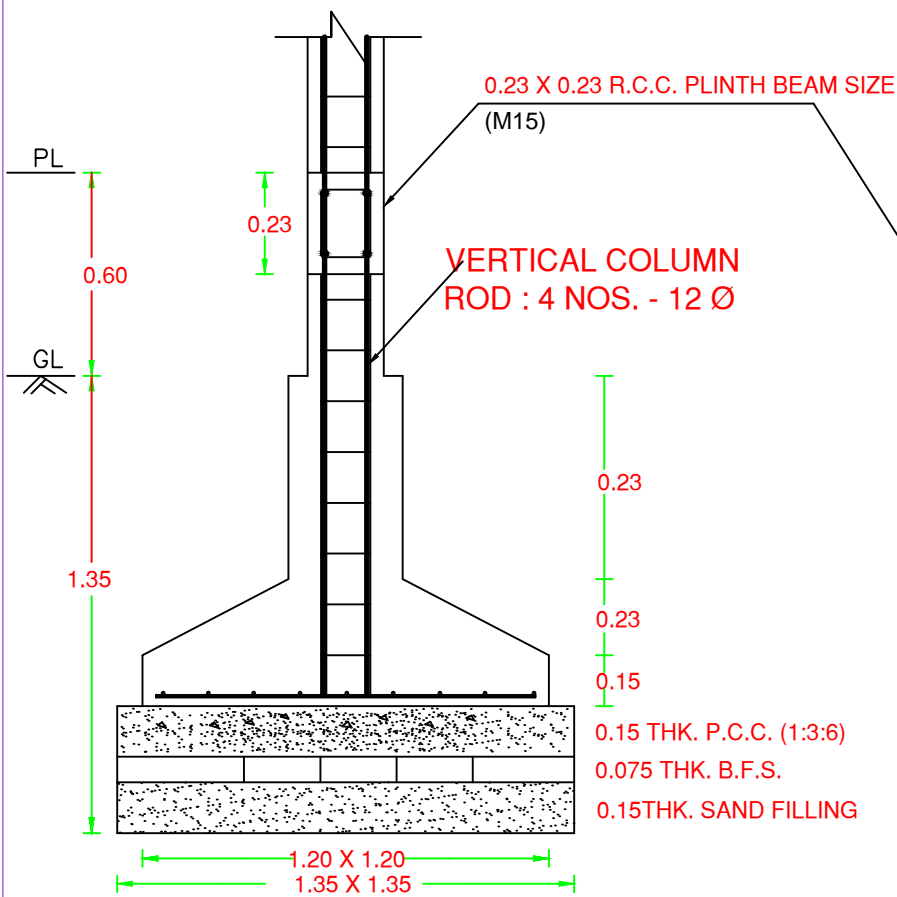
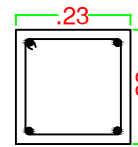


FOUNDATION PLAN

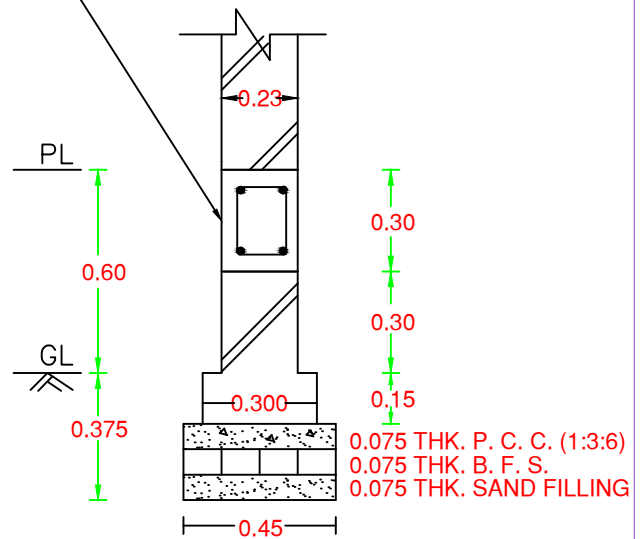


FOUNDATION DETAILS OF COLUMN



VERTICAL : 4 NOS. - 12 Ø
RING : 8Ø @ 0.15 C/C

DETAILS OF COLUMN



FOUNDATION DETAILS OF WALL

Structure Detail