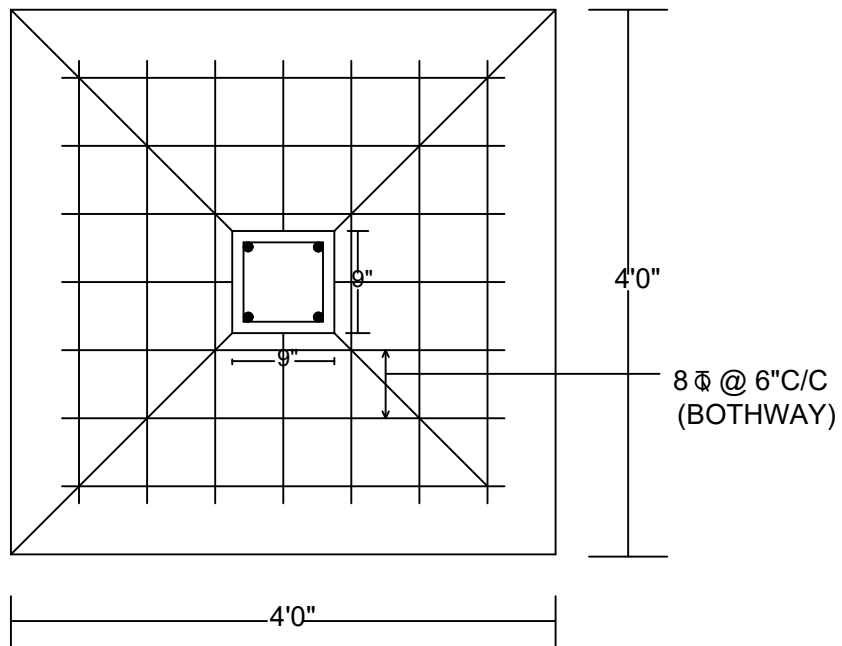


SECTION



PLAN

DETAIL OF COLUMNS

SCALE:- 1" = 2' - 0"