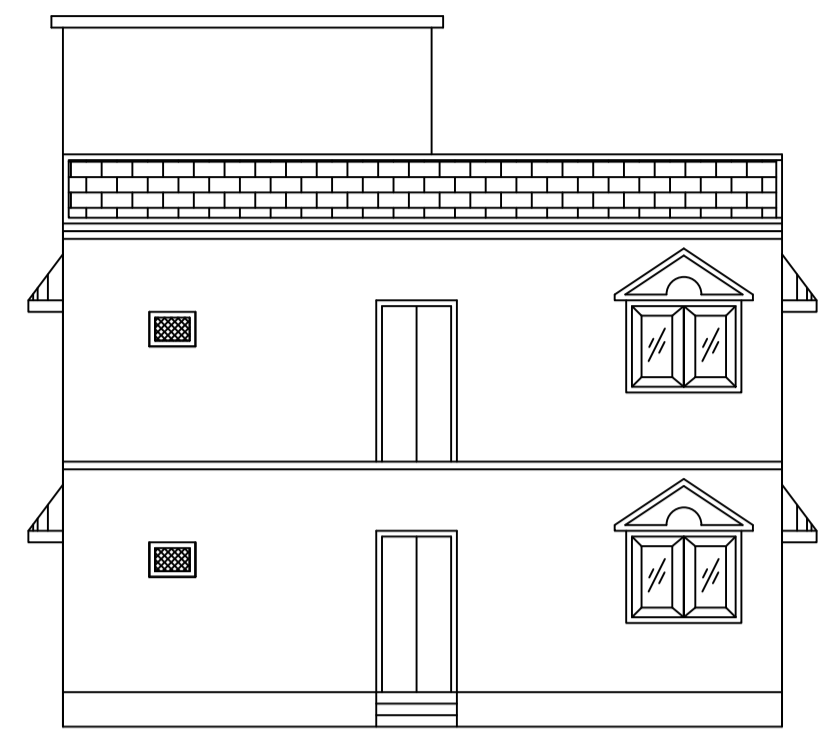
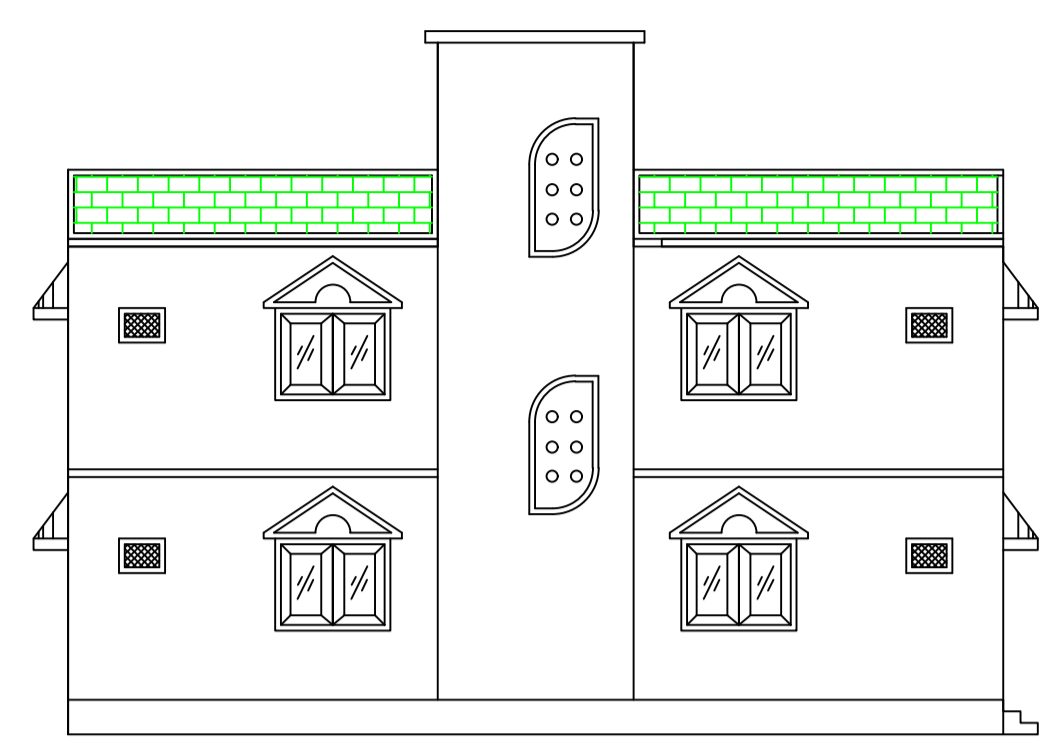


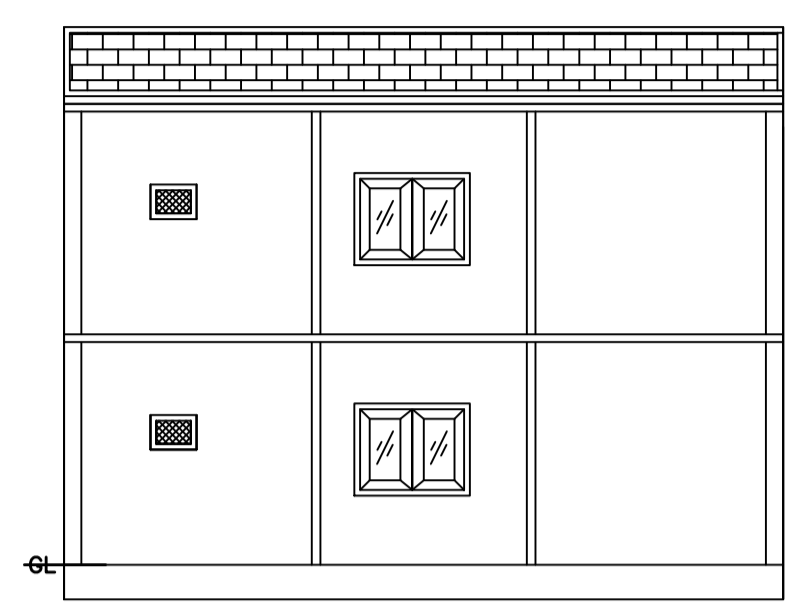
Proposal Basic Information	
Proposal File No.	MADA/BP/0023/2020
Owner Name	SMT NEELAM KUMARI
Khata No	11, NEW-22
Plot No	238, NEW-294
Village Name	Govindpur
Use	Residential
SubUse	Bungalow/ Dwelling / Non Apartment



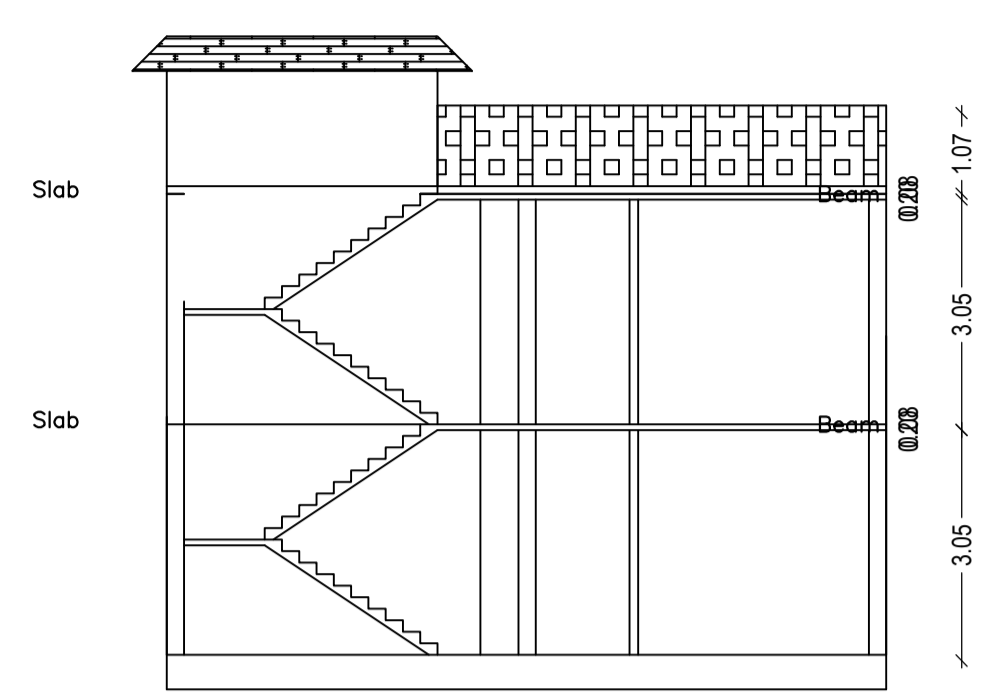
FRONT ELEVATION
SCALE - 1" = 8'- 0"



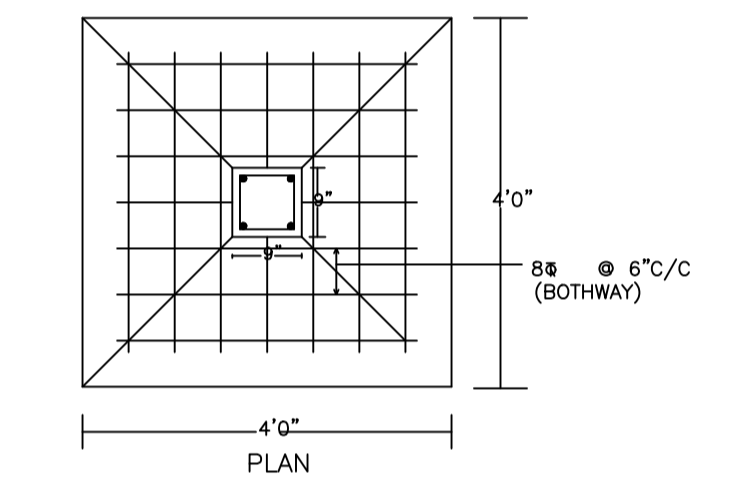
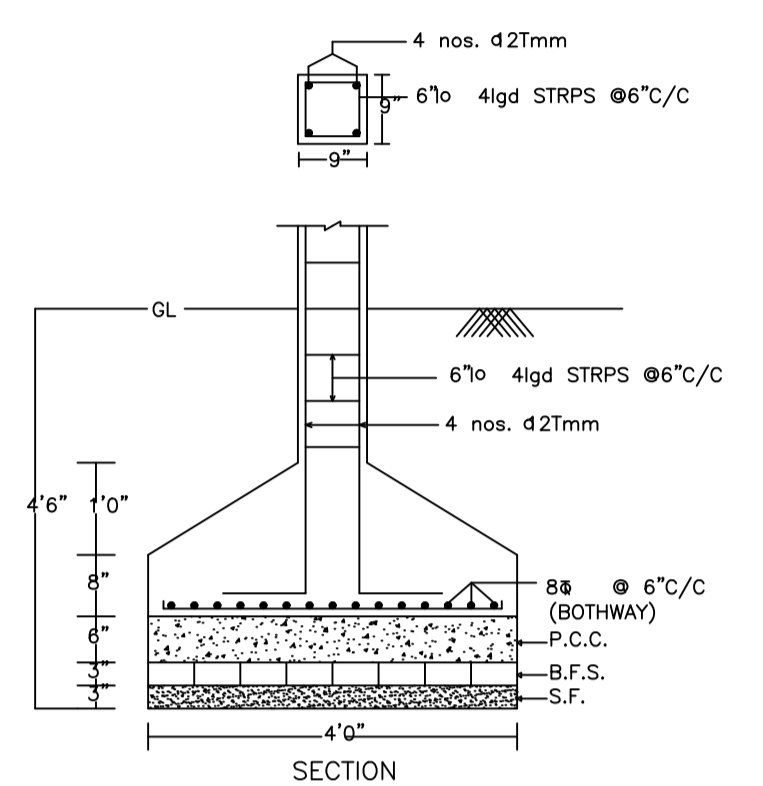
LEFT SIDE ELEVATION
SCALE - 1" = 8'- 0"



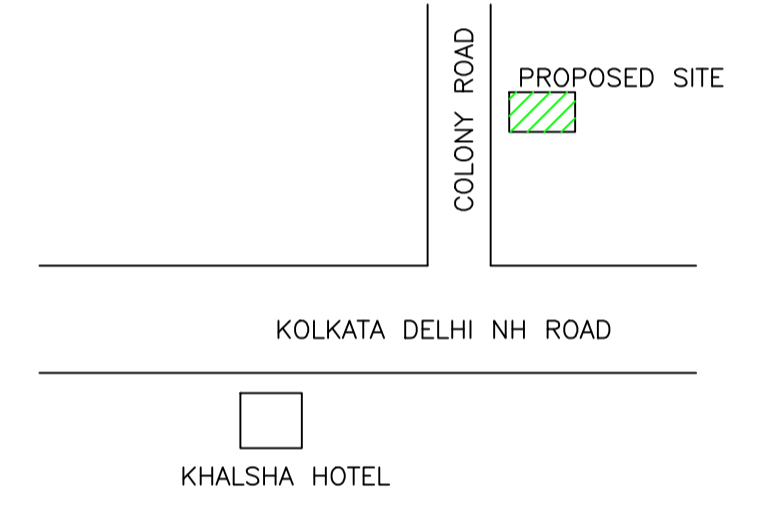
SECTION ON X-X
SCALE - 1" = 8'- 0"



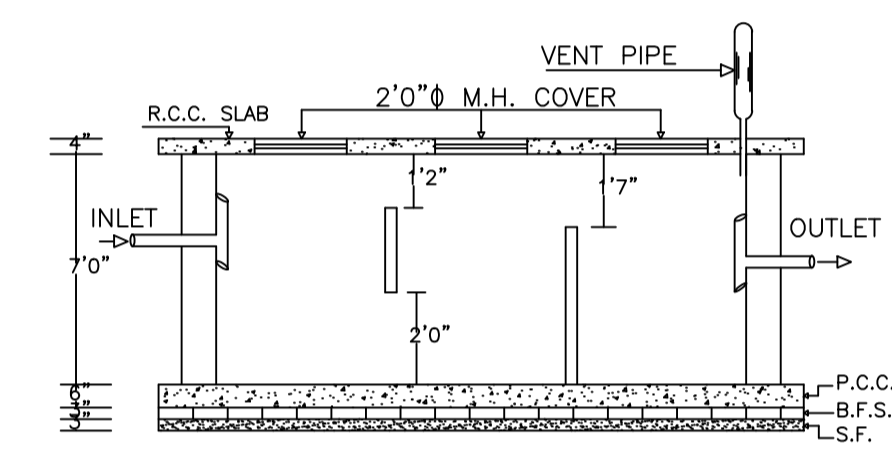
SECTION ON Y-Y



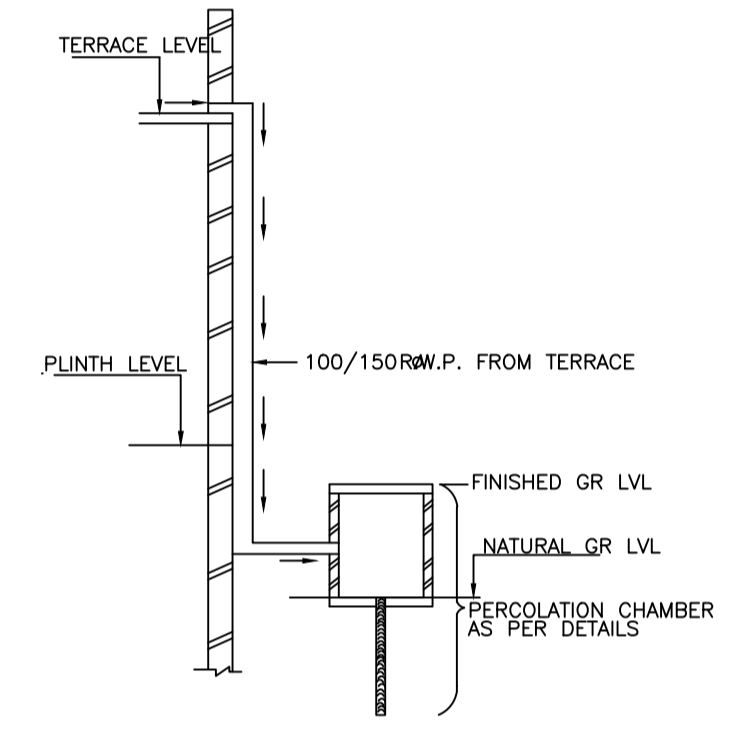
DETAIL OF COLUMNS
SCALE:- 1" = 2' - 0"



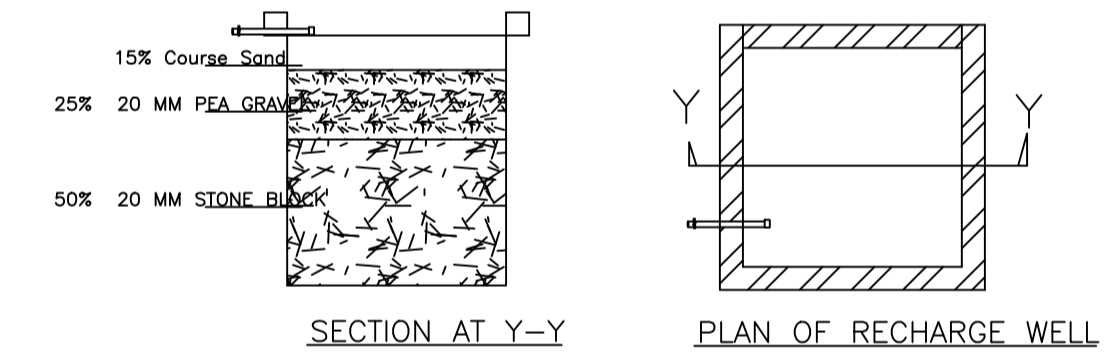
LOCATION PLAN



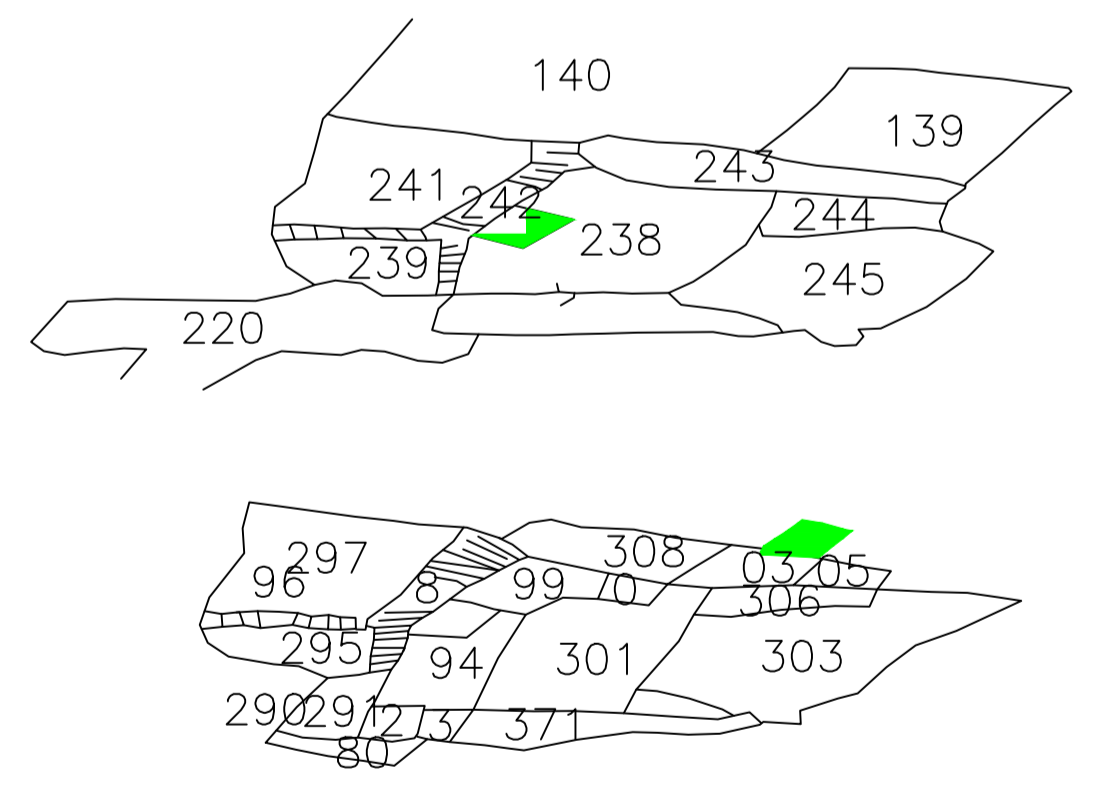
PLAN OF SEPTIC TANK
SCALE:- 1" = 4' - 0"



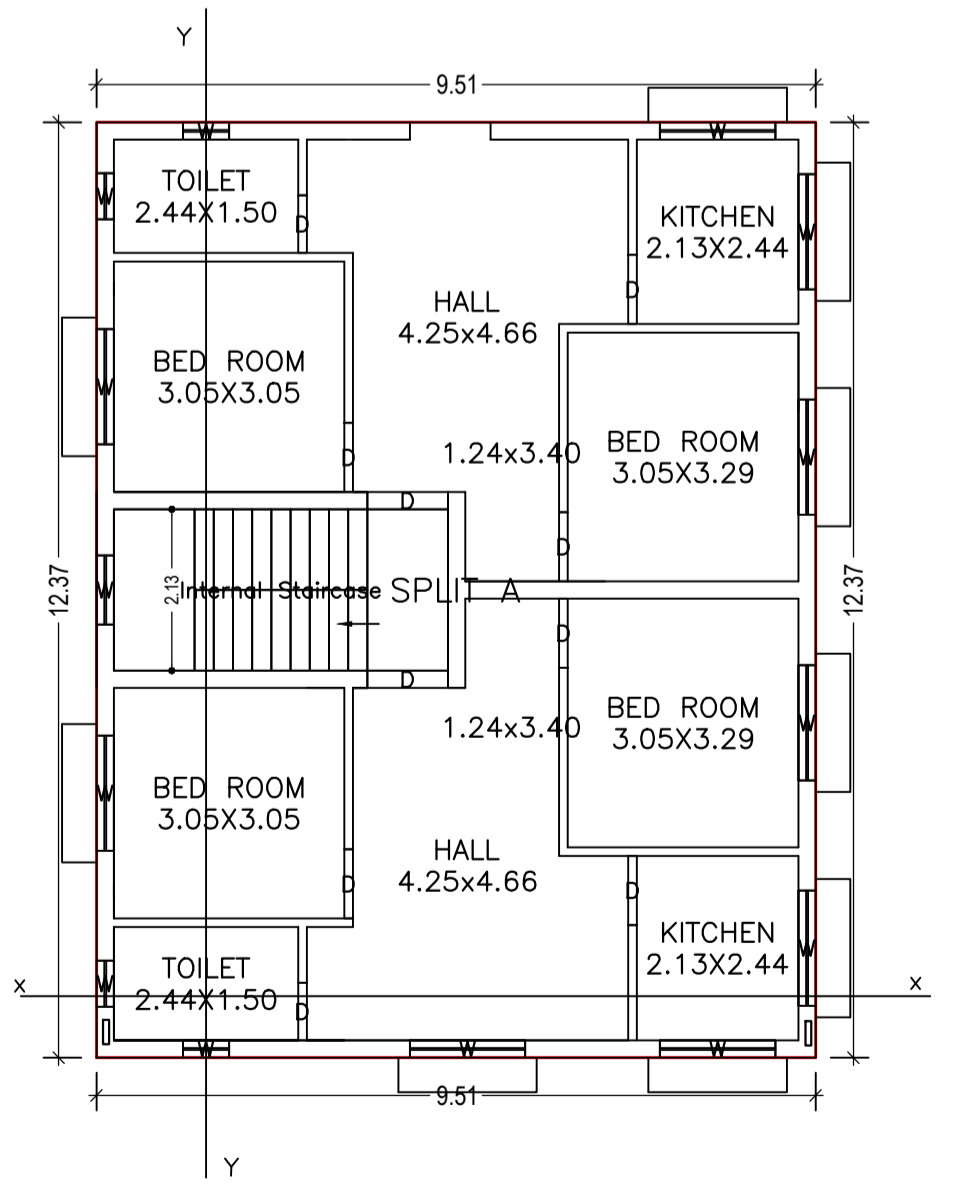
ROOF TOP RAIN WATER COLLECTION SYSTEM



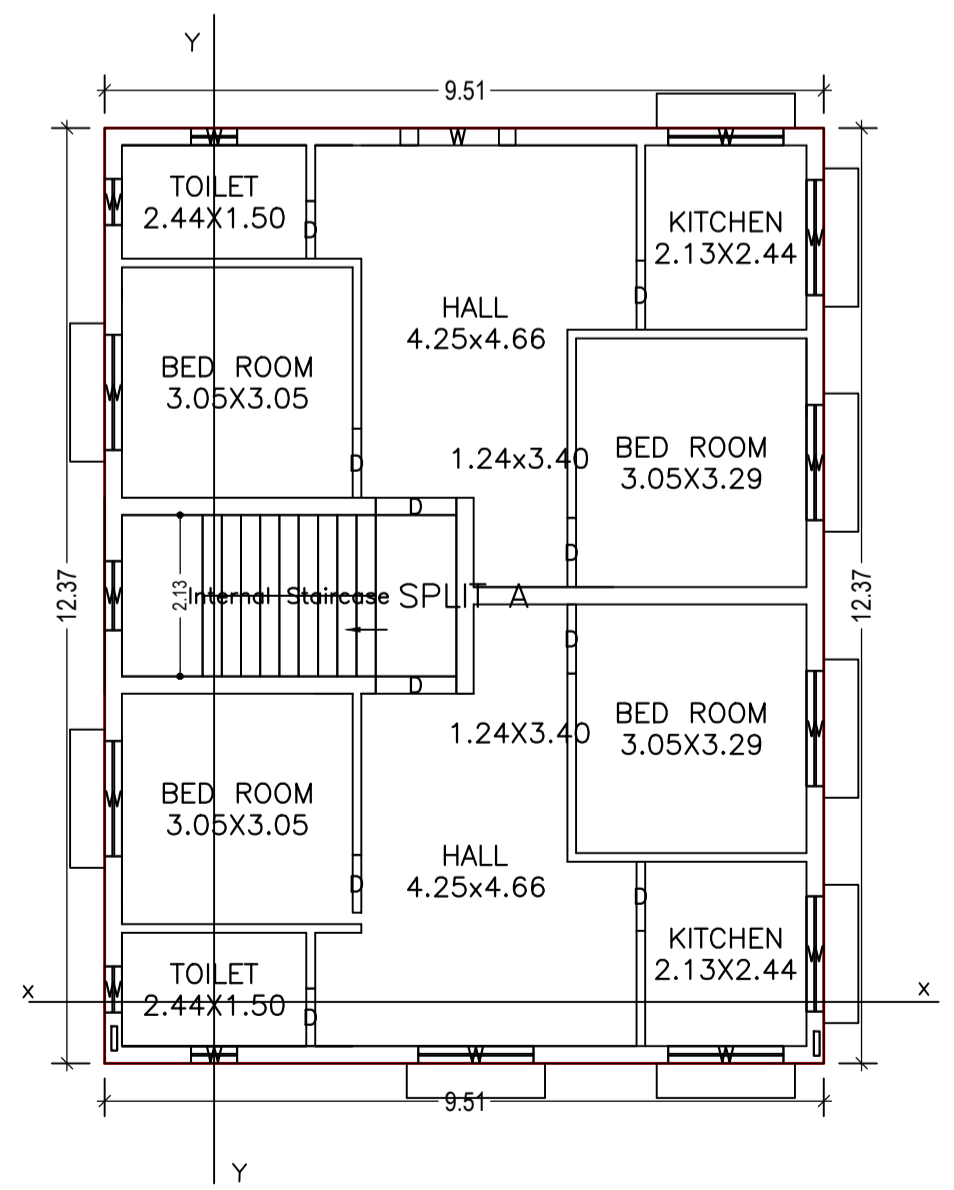
WATER HARVESTING
Scale 1" = 4' 0"



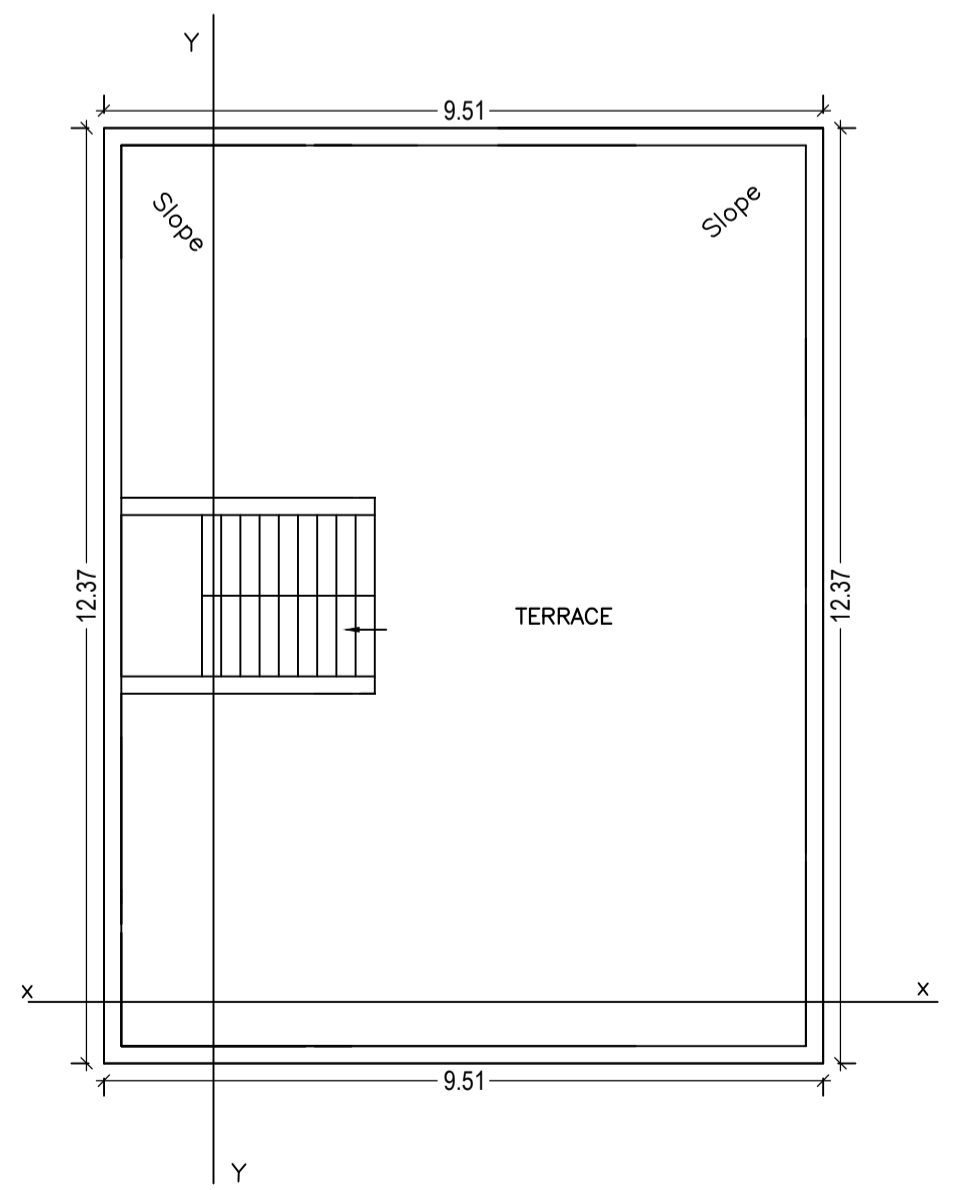
KEY PLAN



GROUND FLOOR PLAN (Proposed)
SCALE 1:100



FIRST FLOOR PLAN (Proposed)
SCALE 1:100



TERRACE FLOOR PLAN (Proposed)
SCALE 1:100

LTP NAME AND SIGNATURE	STRUCTURAL ENG'S NAME AND SIGNATURE	BUILDER NAME AND SIGNATURE	DIGITAL SIGNATURE
RAJEEV RANJAN SINGH MADA/ENG/0004/2019			