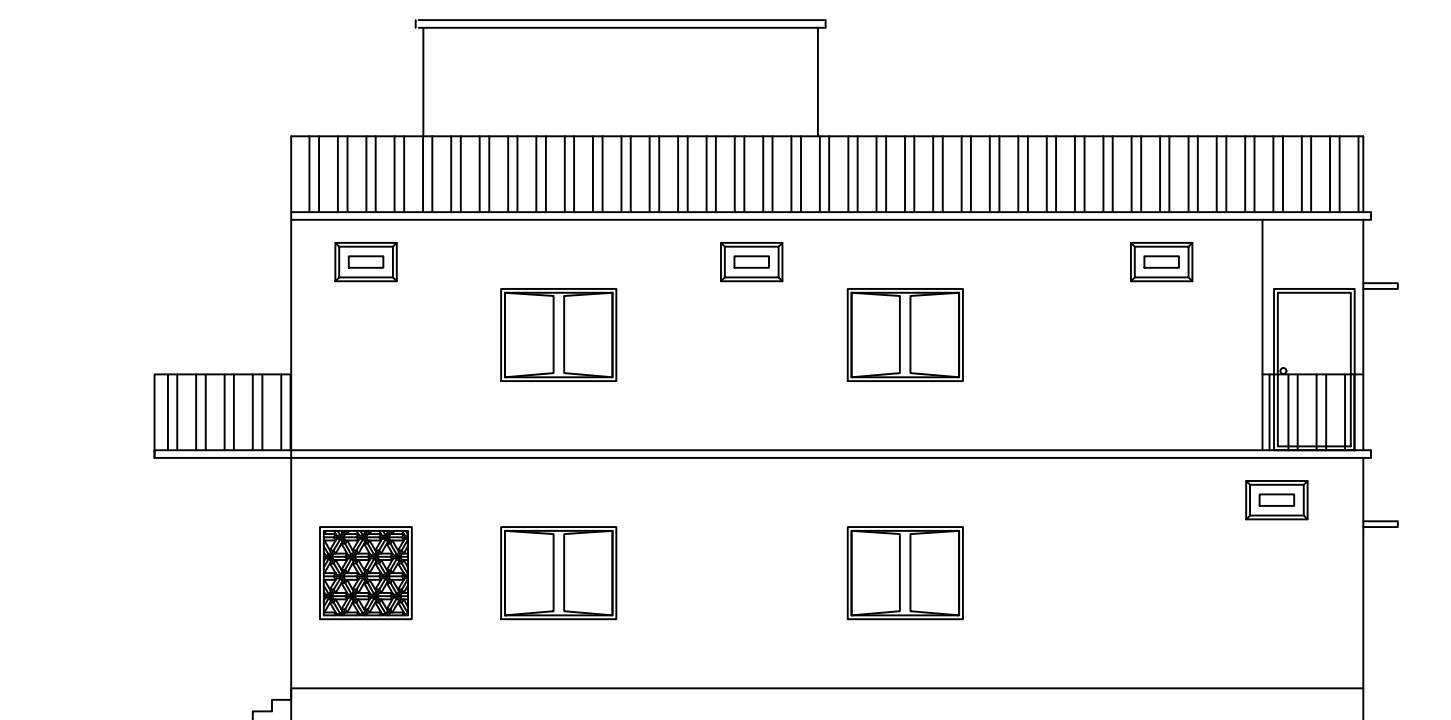
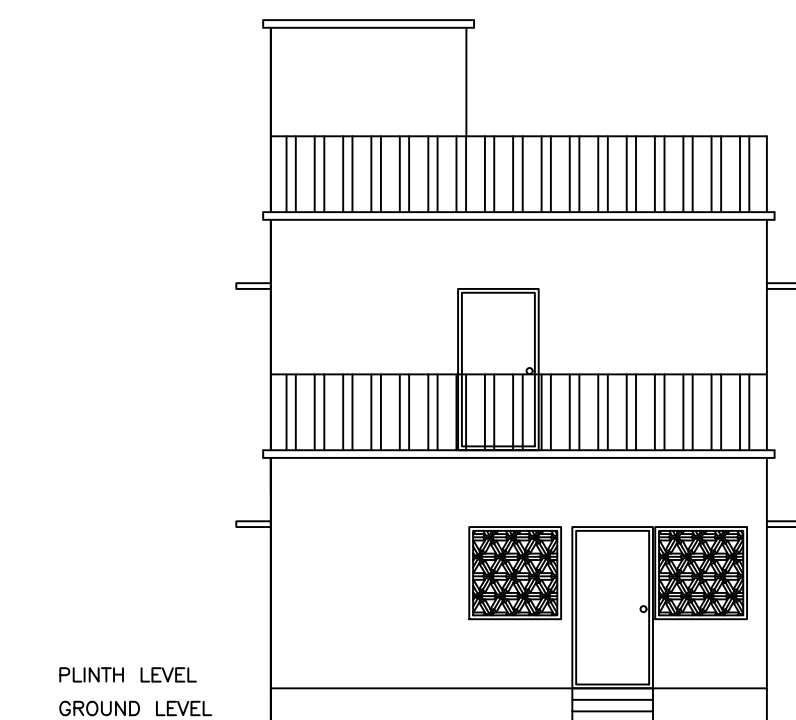
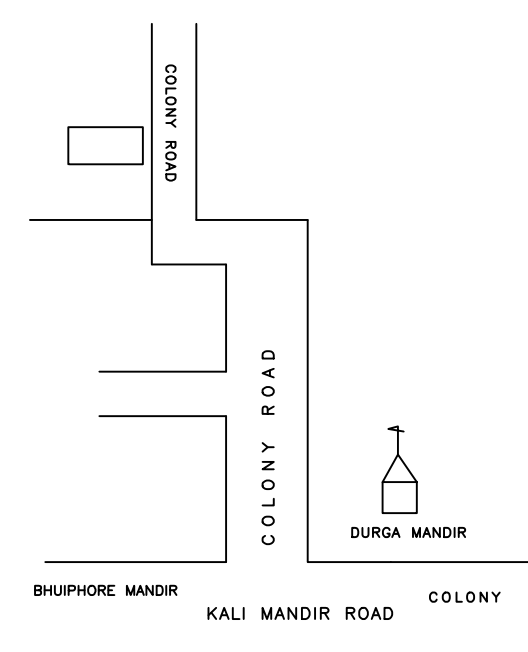
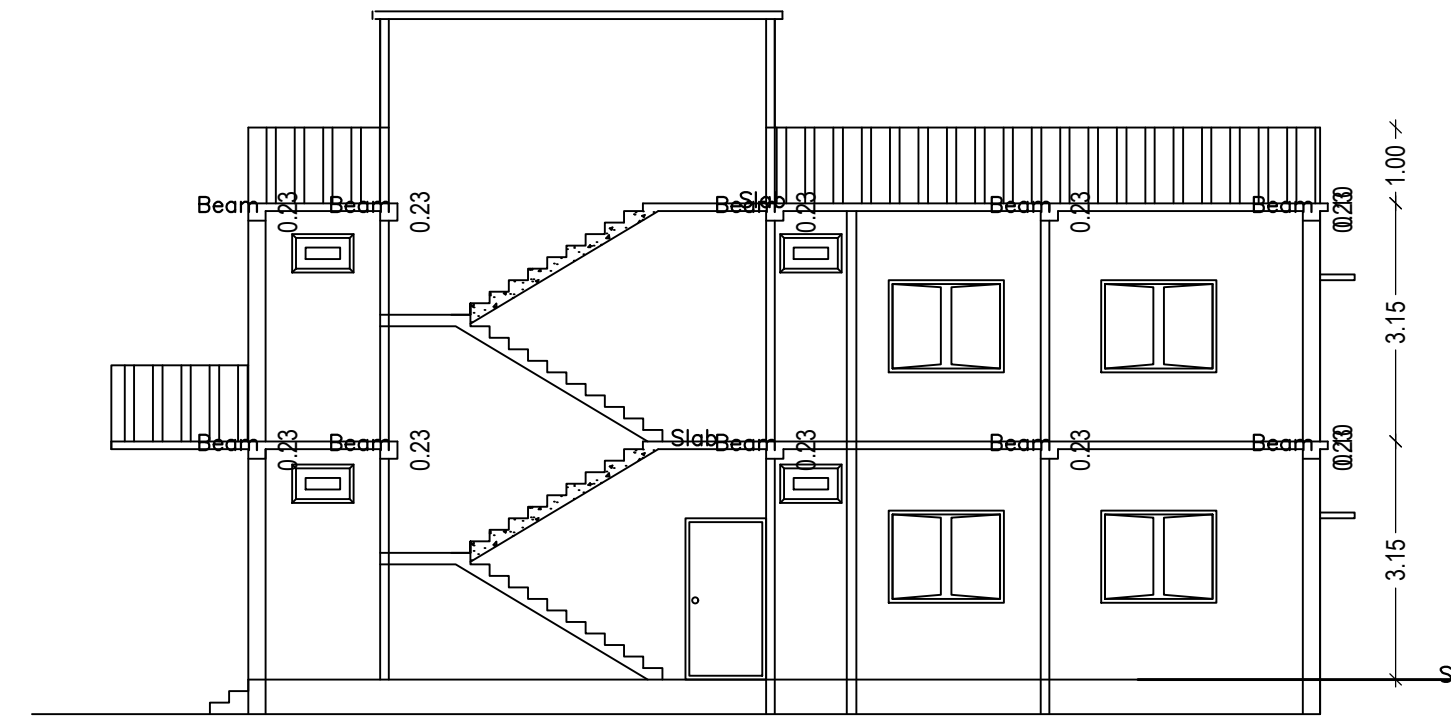
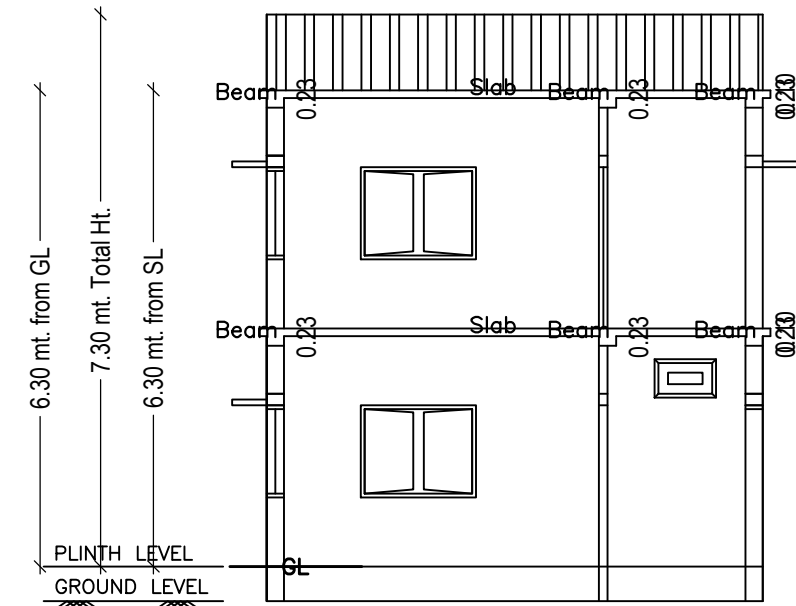
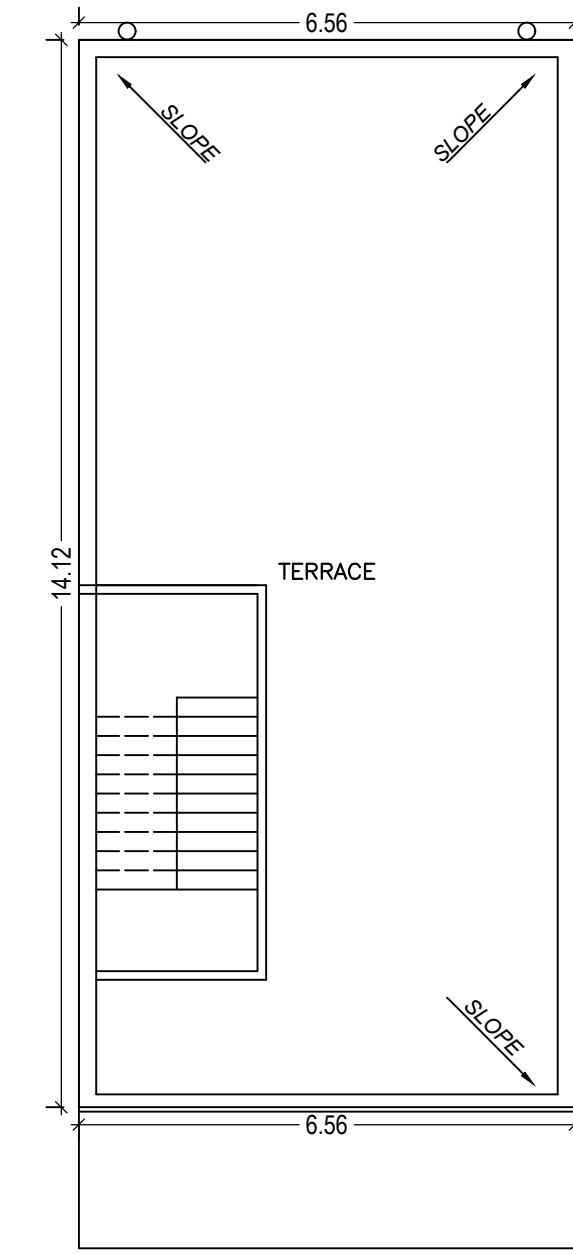
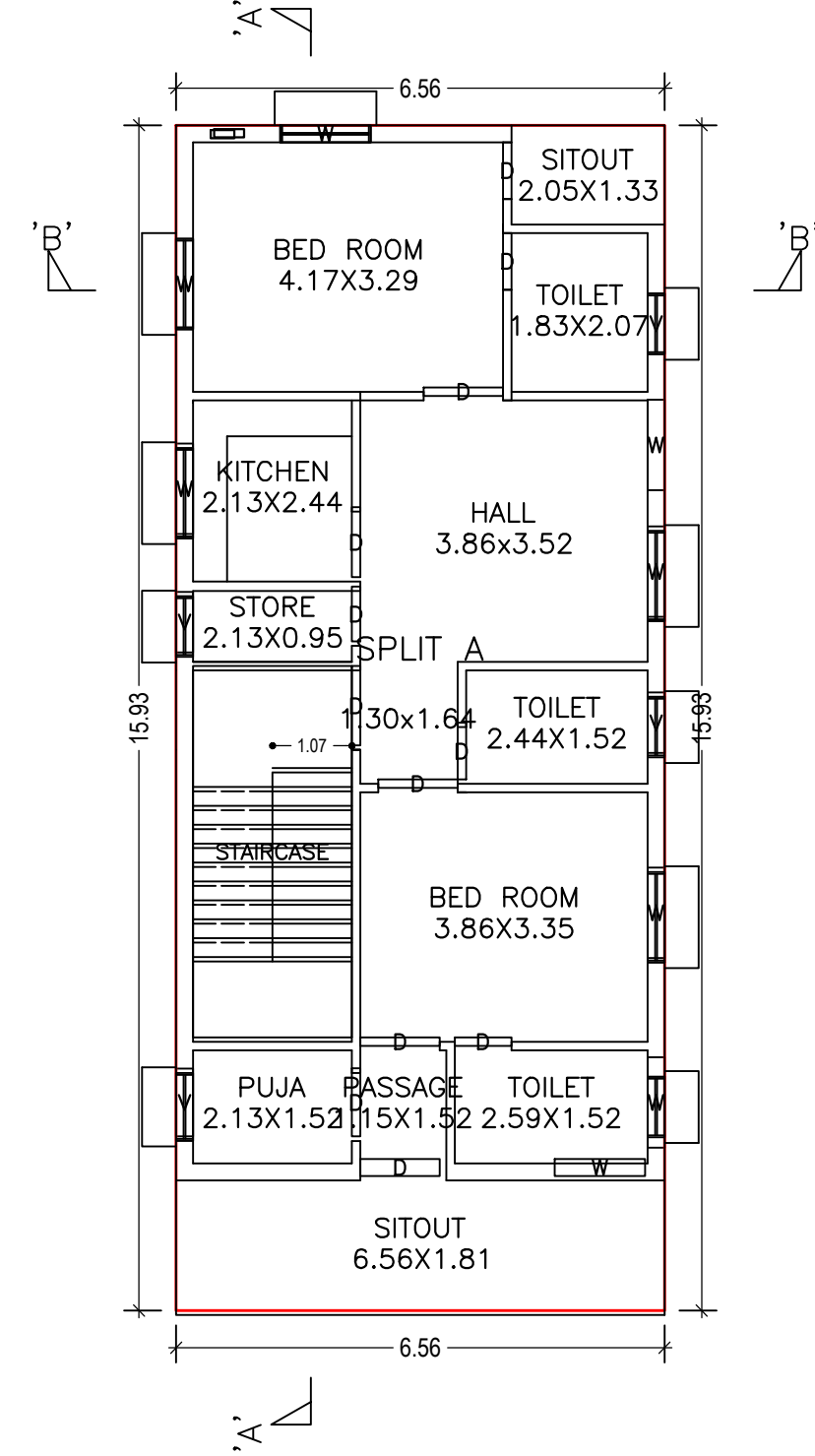
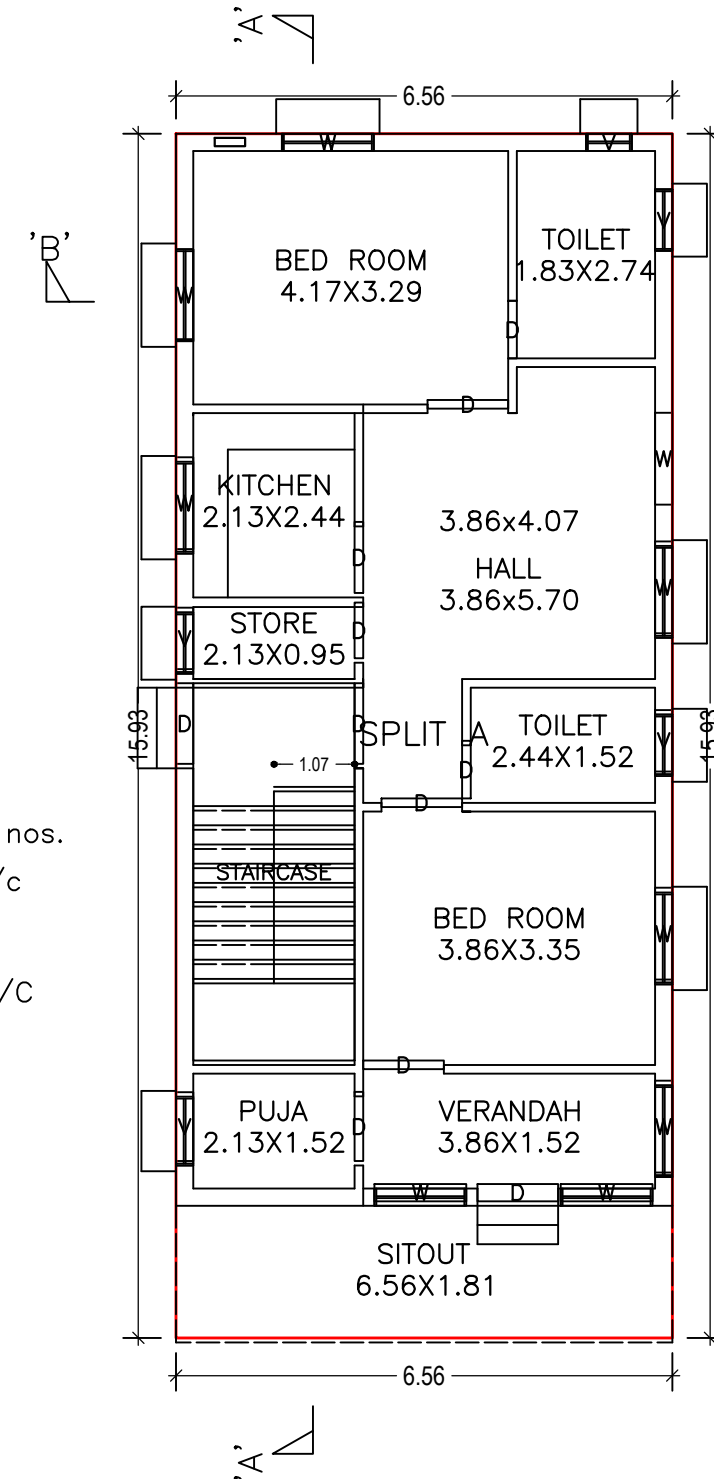
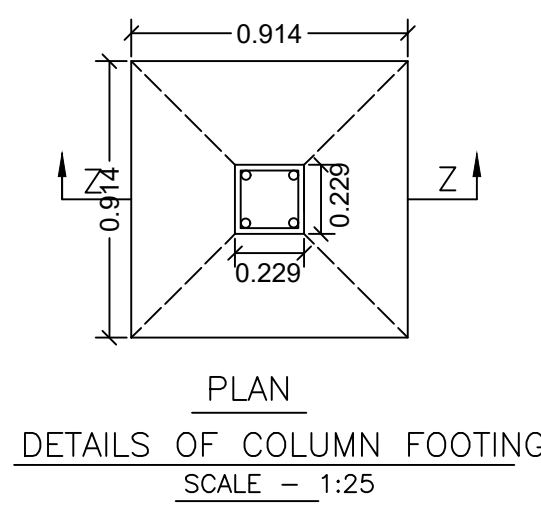
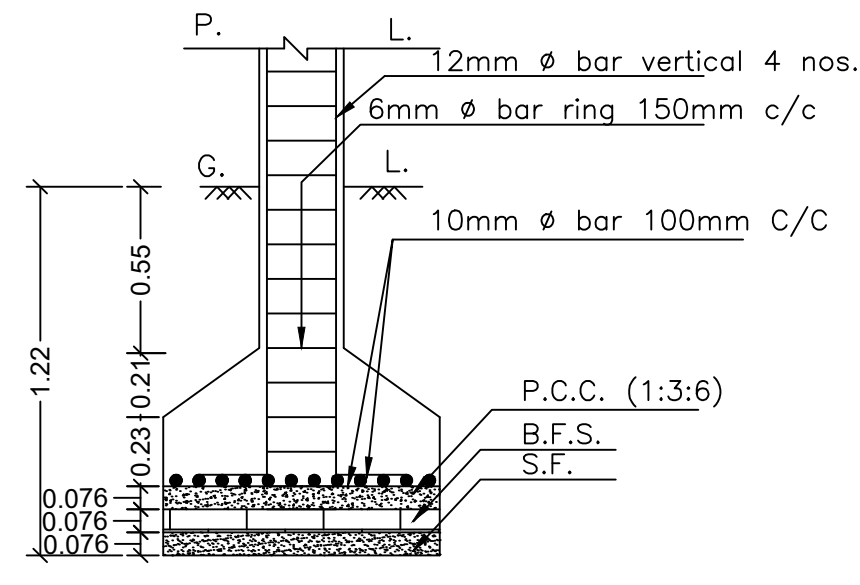
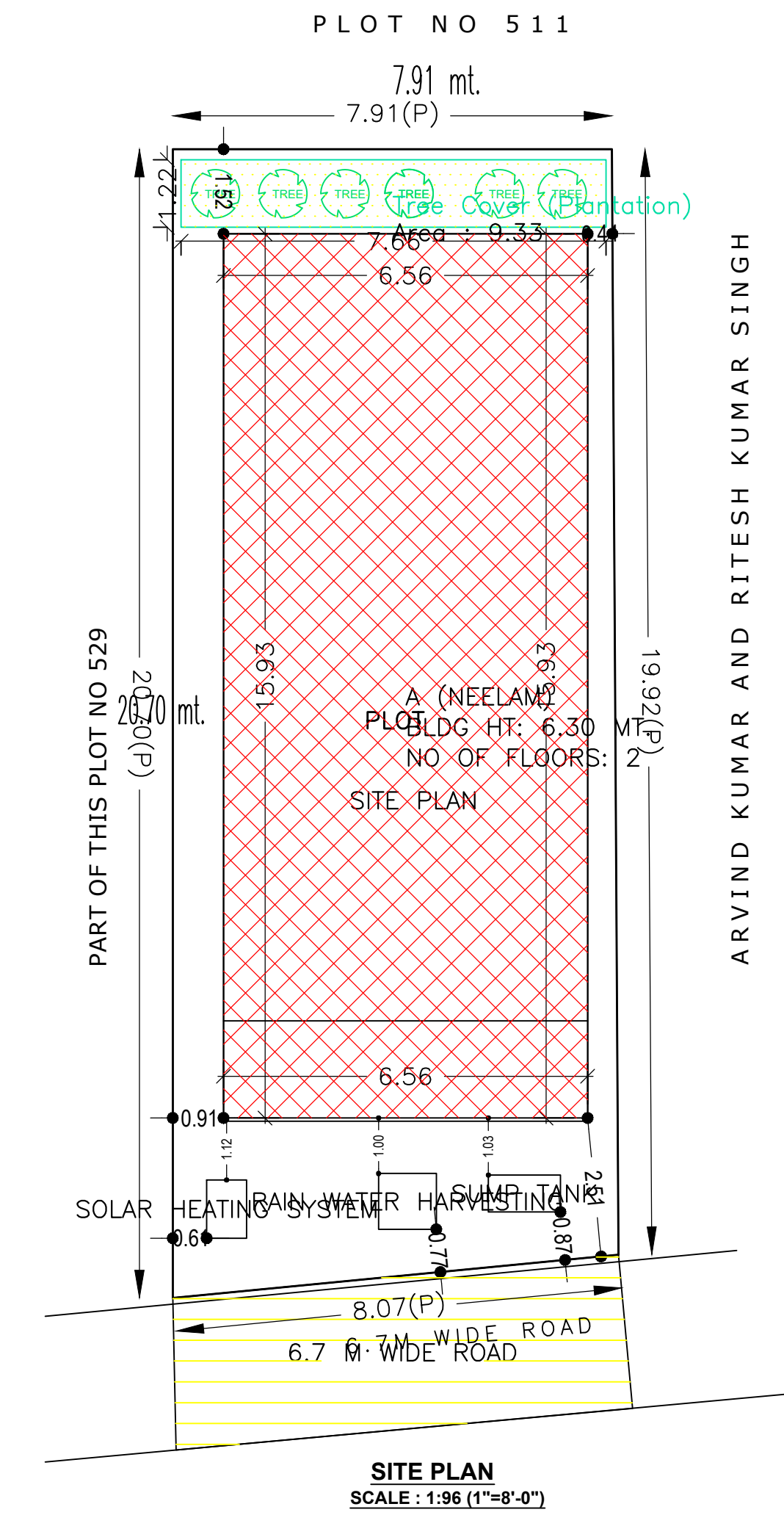


Proposal Basic Information	
Proposal File No.	MADA/EP/0020/2020
Owner Name	SMT NEELAM KUMARI
Khata No	OLD-17, NEW-69
Plot No	OLD-529, NEW-622
Village Name	Sabalpur
Use	Residential
SubUse	Bungalow/ Dwelling / Non Apartment



AREA STATEMENT MINERAL AREA DEVELOPMENT AUTHORITY		VERSION NO.: 1.0.46
PROJECT DETAIL:		VERSION DATE: 22/06/2020
Region: JHARKHAND URBAN LOCAL BODIES	Plot Use: Residential	
District: DHANBAD	Plot SubUse: Bungalow/ Dwelling / Non Apartment	
Authority: MINERAL AREA DEVELOPMENT AUTHORITY	PlotNearby/ReligiousStructure: NA	
Inward No: MADA/EP/0020/2020	Plot/SubPlot No: OLD-529, NEW-622	
Application Type: General Proposal	North: Road Width - 6.09	
Project Type: Building Permission	South: Plot No. - 511	
Nature of Development: New	East: Plot No. - PART OF THIS PLOT 529	
Location of Development Area: Old Area	West: Plot No. - ARVIND KUMAR & RITESH KUMAR SINGH	
AREA DETAILS:		SQ.MT.
AREA OF PLOT (Minimum)	(A)	161.91
NET AREA OF PLOT(Gross Plot Area - Deduction from Gross Plot area)	(A-Deductions)	161.91
Deduction for Balance Plot Area(from Gross Plot Area)		
Common Plot		9.33
Total		9.33
BALANCE AREA OF PLOT (Net Plot Area - Recreational/Amenity space)	(A-Deductions)	152.59
PLOT AREA FOR COVERAGE(Net Plot Area)	(A-Deductions)	161.91
Plot Area for FAR (Net Plot Area + RoadWidening Area)	(A-Deductions)	161.91
COVERAGE CHECK		
Permissible Coverage area (70.00 %)		113.34
Proposed Coverage Area (64.55 %)		104.52
Total Prop. Coverage Area (64.55 %)		104.52
Balance coverage area (5.45 %)		8.82
FAR CHECK		
Perm. FAR Area (2.50)		404.76
Total Perm. FAR area		404.76
Residential FAR		209.04
Proposed FAR Area		209.04
Total Proposed FAR Area		209.04
Consumed FAR (Factor)		1.29
Balance FAR Area		195.74
BUILT UP AREA CHECK		
Total Proposed BuiltUp Area		209.04
ARCHITECT (Regd)	RAJEEV RANJAN SINGH	
ENGINEER (Regd)		
SUPERVISOR (Regd)		
OWNER (Regd)	SMT NEELAM KUMARI	
DEVELOPMENT AUTHORITY		LOCAL BODY

COLOR INDEX	
PLOT BOUNDARY	Black
ABUTTING ROAD	Green
PROPOSED CONSTRUCTION	Red
COMMON PLOT	Yellow
ROAD WIDENING AREA	Blue
EXISTING (To be retained)	Light Blue
EXISTING (To be demolished)	Dark Blue

Floor Name	Building Name A (NEELAM)		Total	
	Proposed Built Up Area (Sq.mt)	Proposed FAR Area (Sq.mt)	Total Proposed Built Up Area (Sq.mt)	Total FAR Area (Sq.mt)
Ground Floor	104.52	104.52	104.52	104.52
First Floor	104.52	104.52	104.52	104.52
Terrace Floor	0.00	0.00	0.00	0.00
Total	209.04	209.04	209.04	209.04

Building Name	Building Use	Building SubUse	Building Structure
A (NEELAM)	Residential	Residential Bldg/Apartment	Non-Highrise

SCHEDULE OF DOOR:				
BUILDING NAME	NAME	LENGTH	HEIGHT	NOS
A (NEELAM)	D	0.74	2.10	02
A (NEELAM)	D	0.76	2.10	06
A (NEELAM)	D	0.91	2.10	02
A (NEELAM)	D	0.94	2.10	02
A (NEELAM)	D	1.07	2.10	10

SCHEDULE OF WINDOW/VENTILATION:				
BUILDING NAME	NAME	LENGTH	HEIGHT	NOS
A (NEELAM)	V	0.61	1.20	01
A (NEELAM)	V	0.81	1.20	06
A (NEELAM)	V	0.91	1.20	02
A (NEELAM)	V	1.22	1.20	17

Building :A (NEELAM)					
Floor Name	Total Built Up Area (Sq.mt.)	Proposed FAR Area (Sq.mt.) Resi.	Total FAR Area (Sq.mt.)	Total Consumed Additional FAR Area (Sq.mt.)	Tnmt (No.)
Ground Floor	104.52	104.52	104.52	104.52	01
First Floor	104.52	104.52	104.52	104.52	00
Terrace Floor	0.00	0.00	0.00	0.00	00
Total :	209.04	209.04	209.04	209.04	01
Total Number of Same Buildings :	1				
Total :	209.04	209.04	209.04	209.04	01

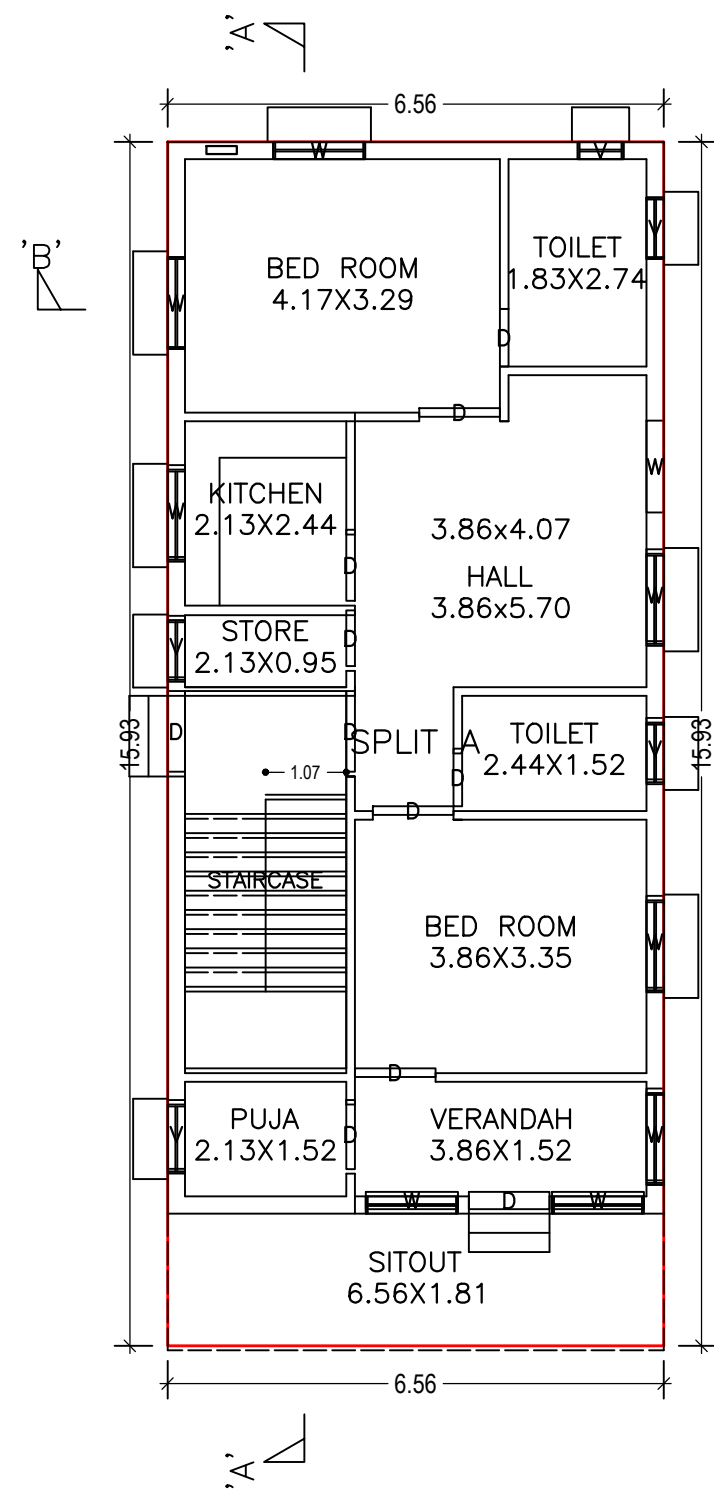
FAR & Tenement Details (Table 4c-1)						
Building	No. of Same Bldg	Total Built Up Area (Sq.mt.)	Proposed FAR Area (Sq.mt.) Resi.	Total FAR Area (Sq.mt.)	Total Consumed Additional FAR Area (Sq.mt.)	Tnmt (No.)
A (NEELAM)	1	209.04	209.04	209.04	209.04	01
Grand Total :	1	209.04	209.04	209.04	209.04	01

UnitBUA Table for Building :A (NEELAM)						
FLOOR	Name	UnitBUA Type	UnitBUA Area	Carpet Area	No. of Rooms	No. of Tenement
GROUND FLOOR PLAN	SPLIT A	FLAT	209.04	208.92	10	1
FIRST FLOOR PLAN	SPLIT A	FLAT	0.00	0.00	12	0
Total:	-	-	209.04	208.92	22	1

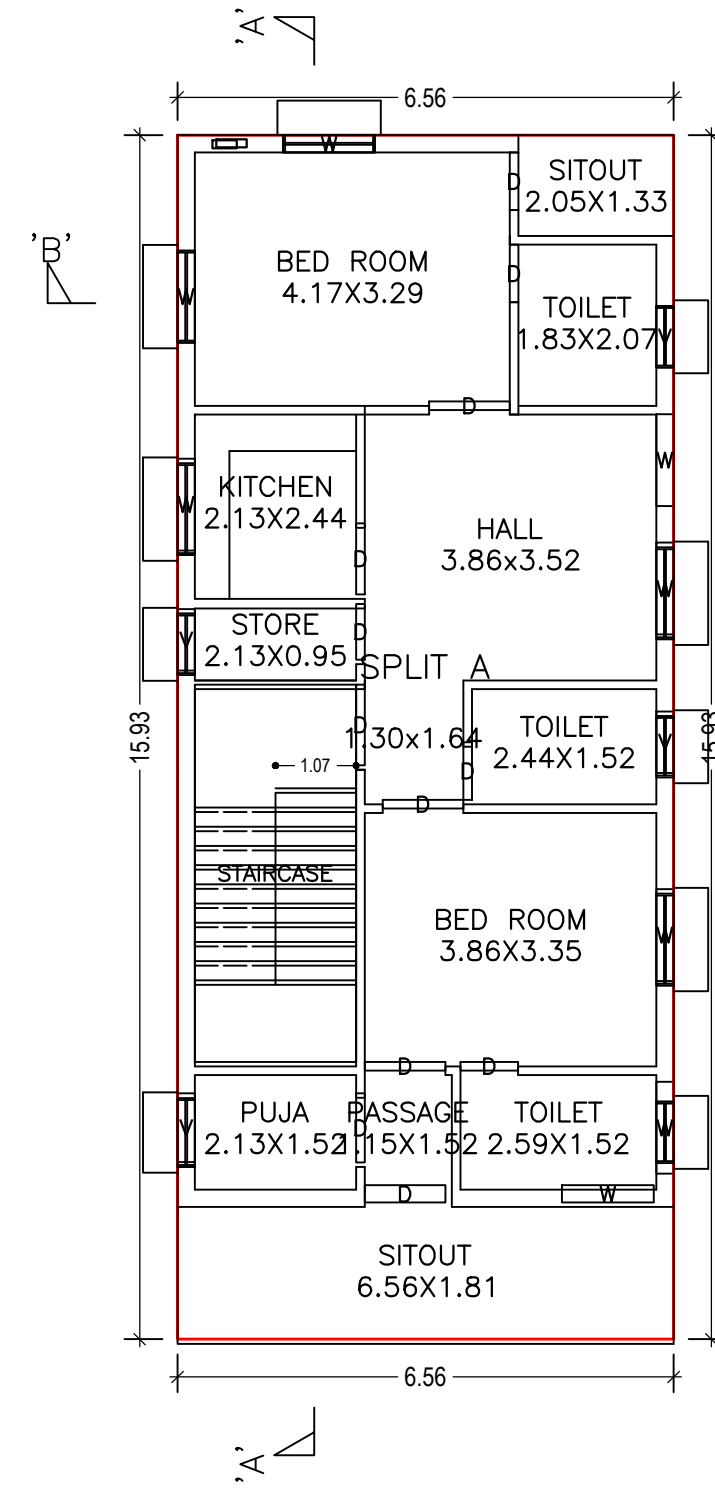
LTP NAME AND SIGNATURE	STRUCTURAL ENG'S NAME AND SIGNATURE	BUILDER NAME AND SIGNATURE	DIGITAL SIGNATURE
RAJEEV RANJAN SINGH MADA/ENG/0004/2019			

Proposal Basic Information

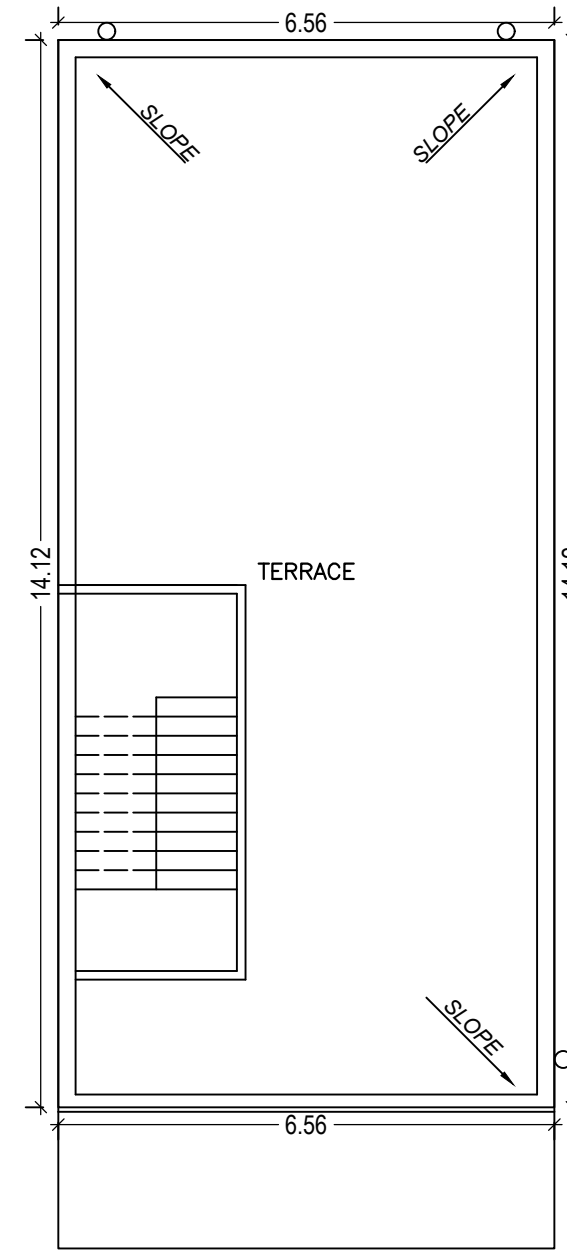
Proposal File No.	MADA/EP/0020/2020
Owner Name	SMT NEELAM KUMARI
Khata No	OLD-17, NEW-69
Plot No	OLD-529, NEW-622
Village Name	Sabalpur
Use	Residential
SubUse	Bungalow/ Dwelling / Non Apartment



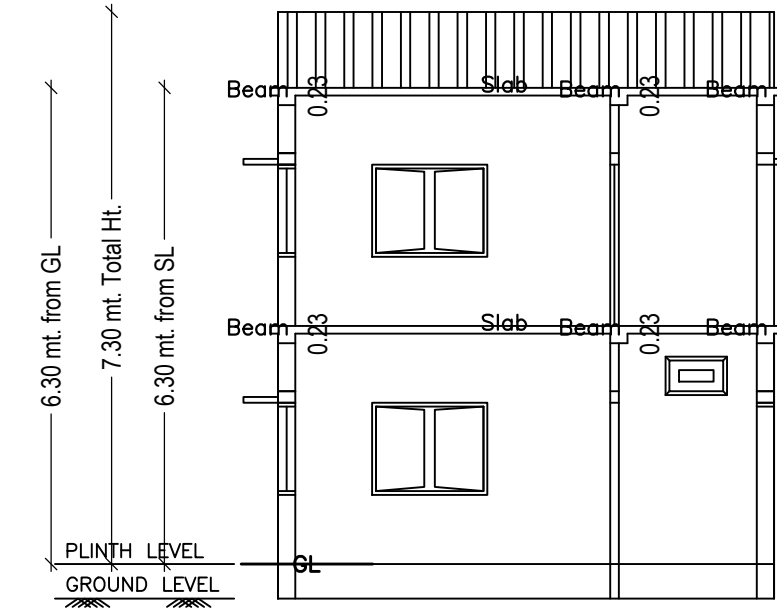
GROUND FLOOR PLAN
(Proposed)
(SCALE 1:100)



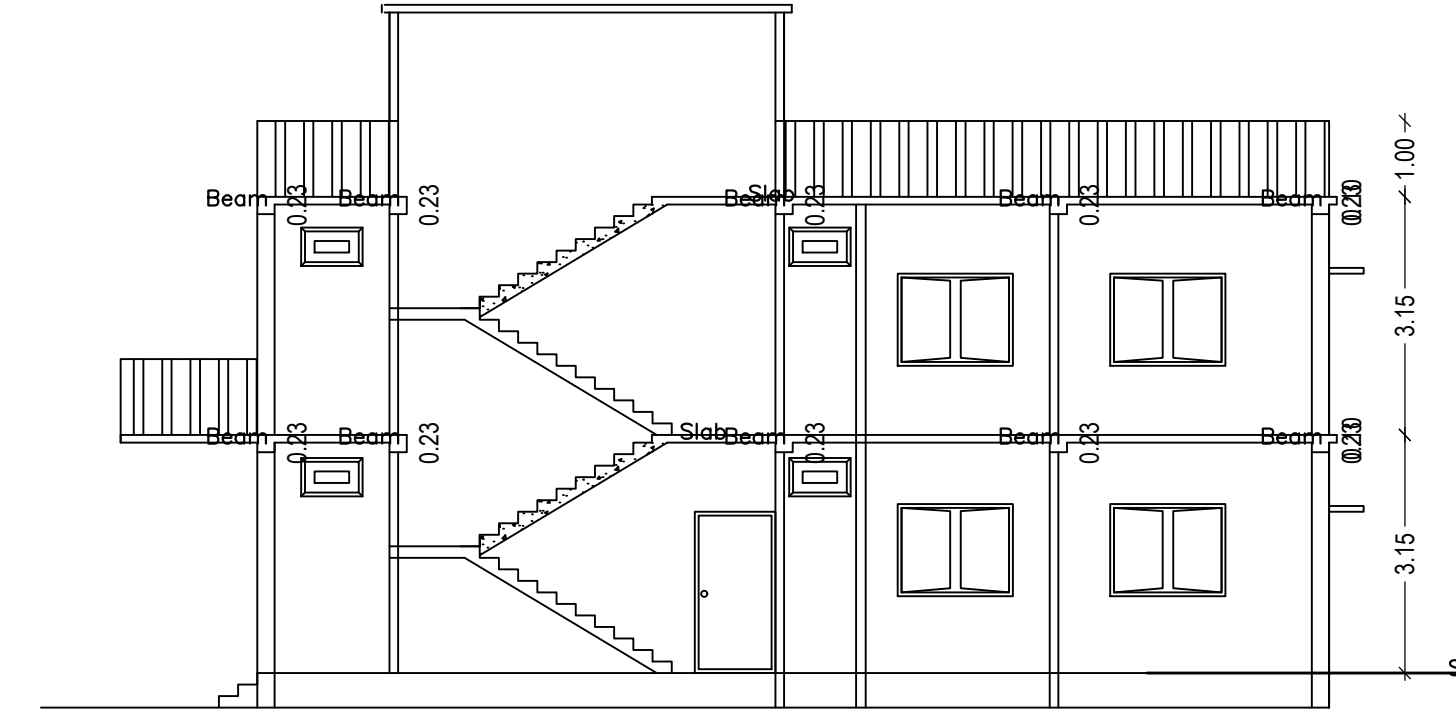
FIRST FLOOR PLAN
(Proposed)
(SCALE 1:100)



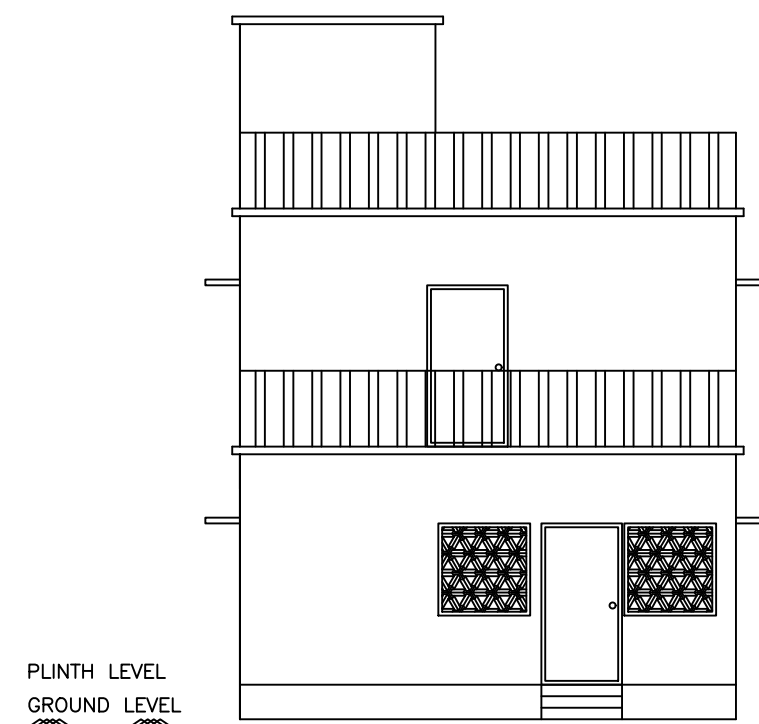
TERRACE FLOOR PLAN
(SCALE 1:100)



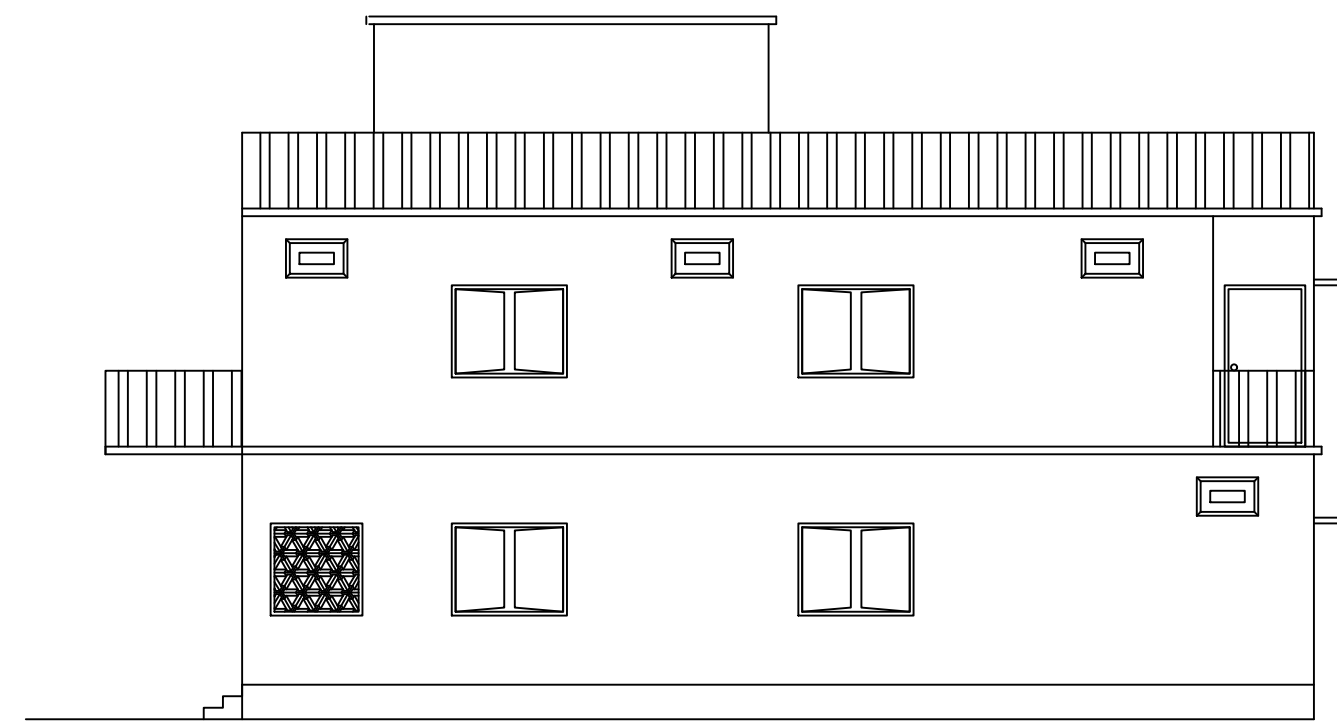
SECTION : 'B - B'
SCALE : 1:100



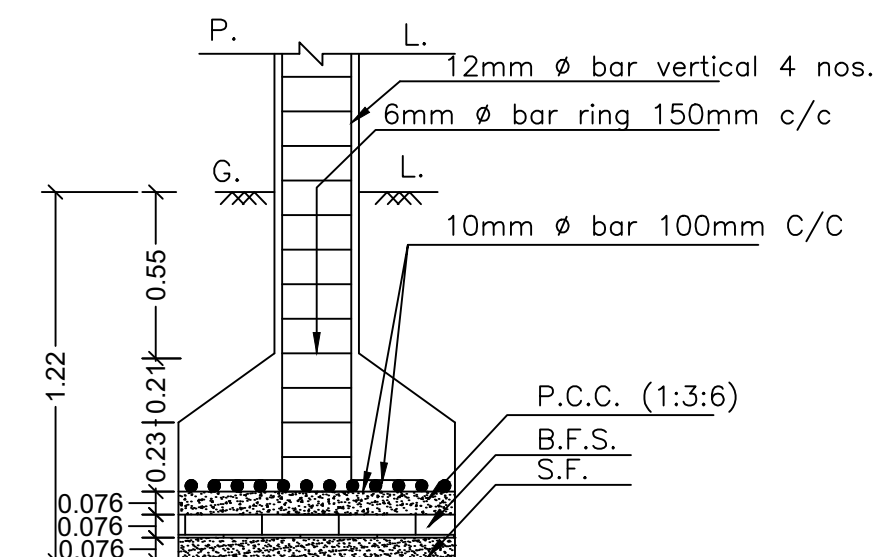
SECTION : 'A - A'
SCALE : 1:100



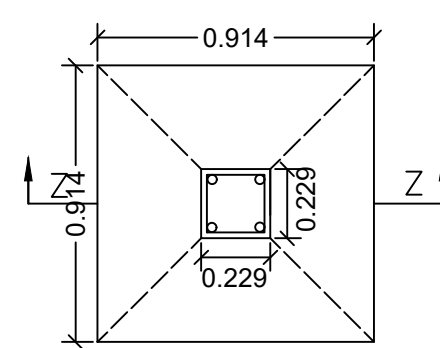
FRONT ELEVATION
SCALE : 1:100



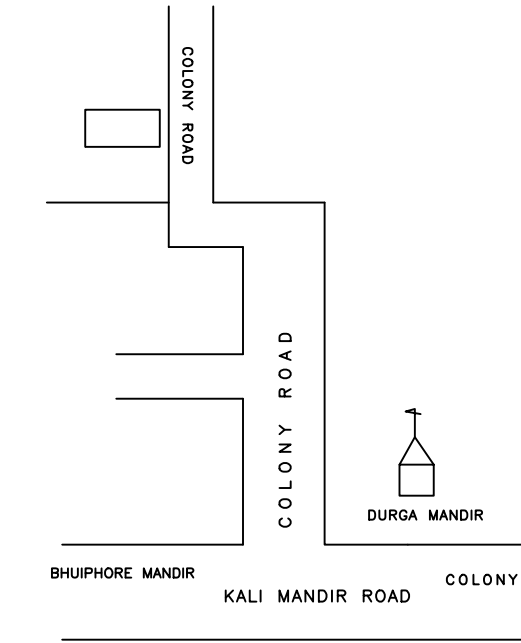
RIGHT SIDE ELEVATION
SCALE : 1:100



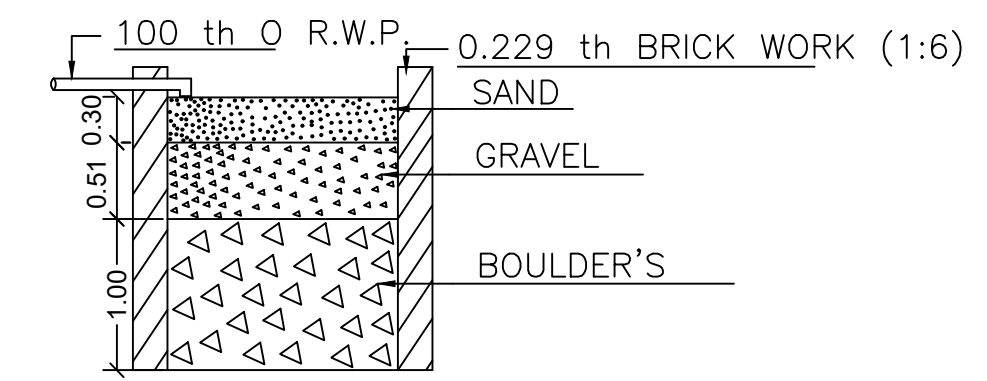
SECTION ON - ZZ
SCALE - 1:25



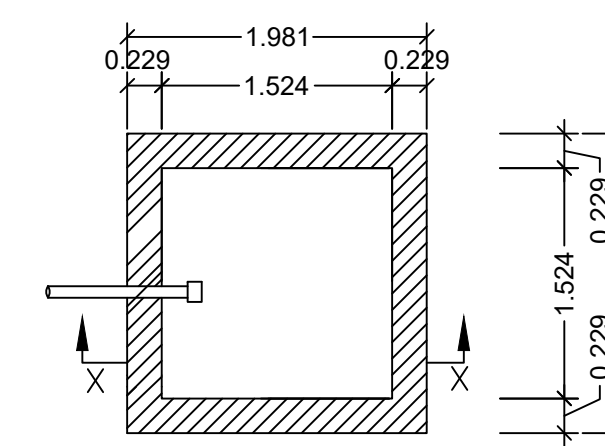
PLAN
DETAILS OF COLUMN FOOTING
SCALE - 1:25



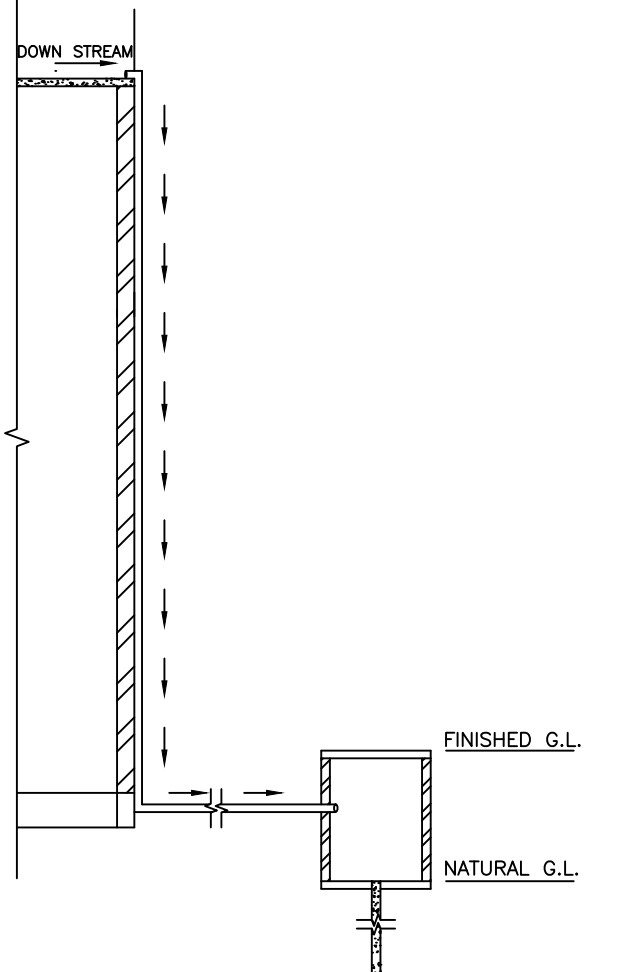
LOCATION
SCALE - NTS



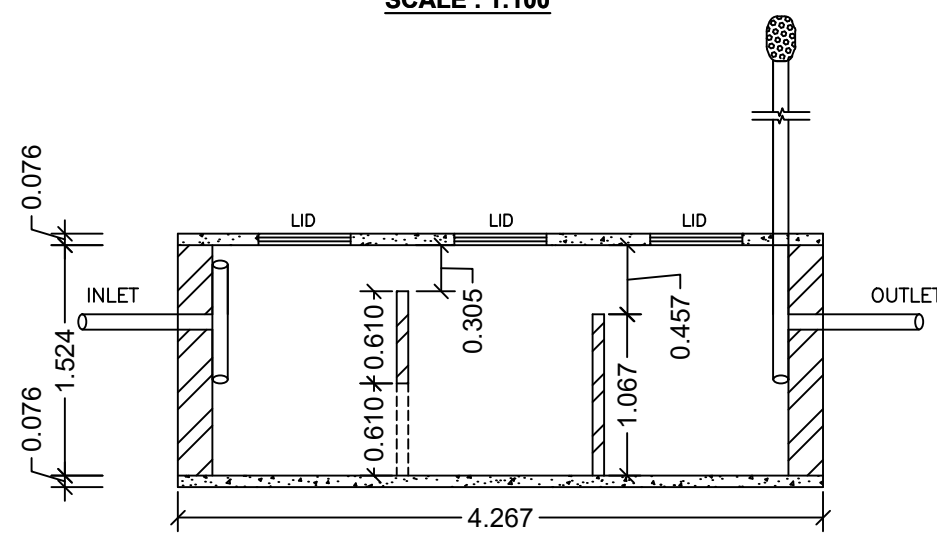
SECTION ON - 'X X'
SCALE - 1:50



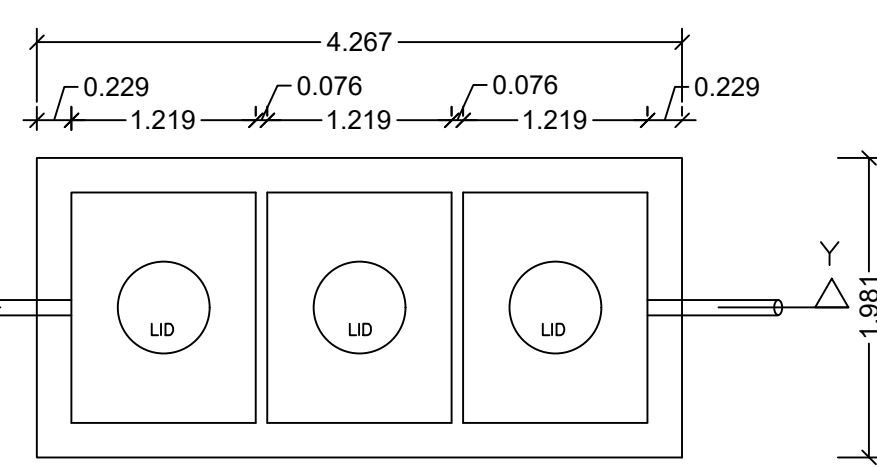
PLAN
DETAILS OF WATER HARVESTING
SCALE - 1:50



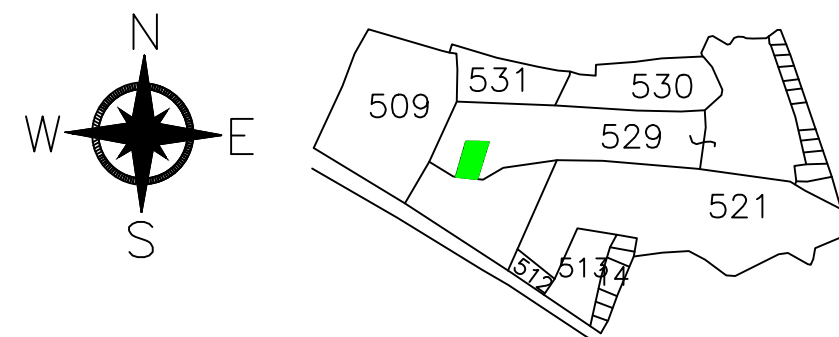
ROOF TOP RAIN WATER
COLLECTION SYSTEM
SCALE : 1:96 (1"=8'-0")



SECTION ON - YY
SCALE - 1:50



DETAILS OF SEPTIC TANK



KEY PLAN
SCALE - NTS

LTP NAME AND SIGNATURE	STRUCTURAL ENG'S NAME AND SIGNATURE	BUILDER NAME AND SIGNATURE	DIGITAL SIGNATURE
RAJEEV RANJAN SINGH MADA/ENG/0004/2019			