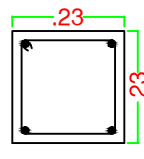


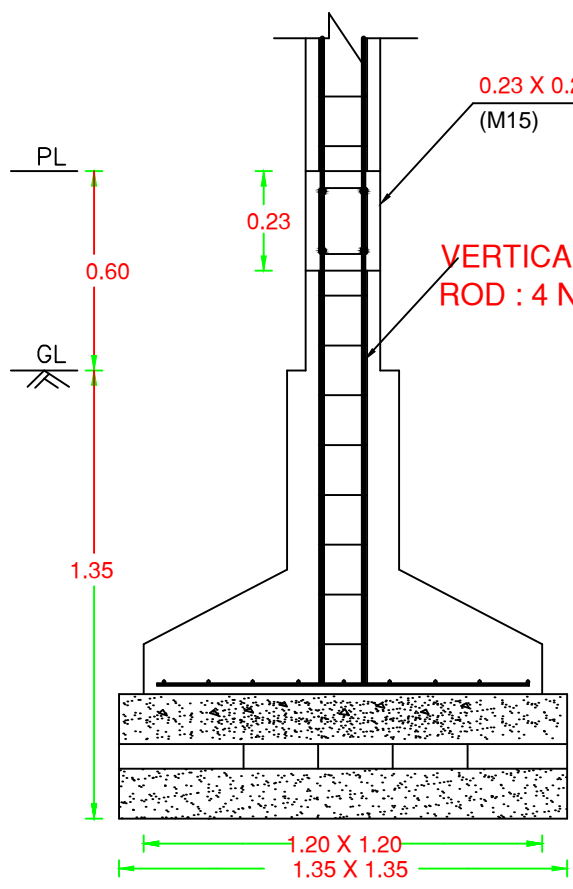
FOUNDATION PLAN

Septic



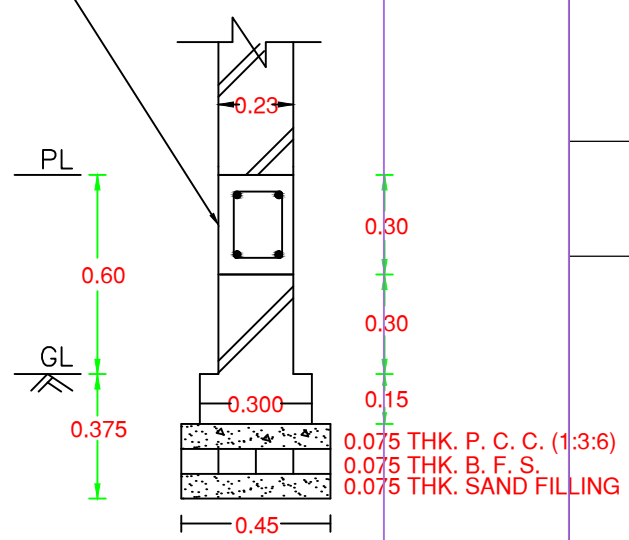
VERTICAL : 4 NOS. - 12 Ø
RING : 8Ø @ 0.15 C/C

DETAILS OF COLUMN



FOUNDATION DETAILS OF COLUMN

Structure Detail



FOUNDATION DETAILS OF WALL