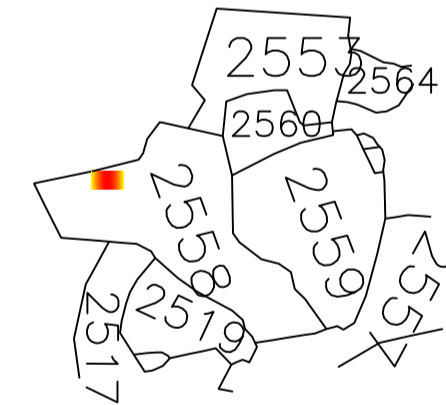
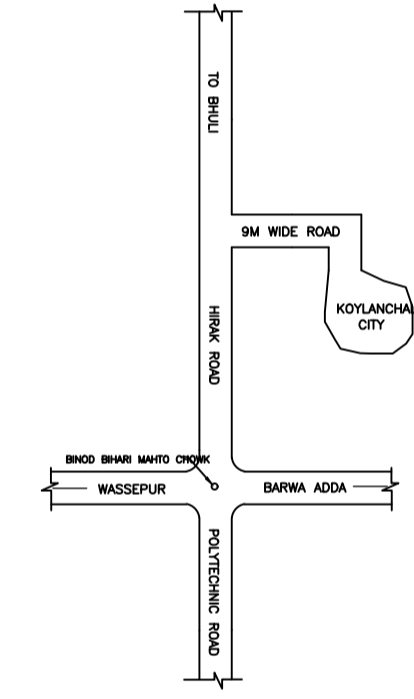
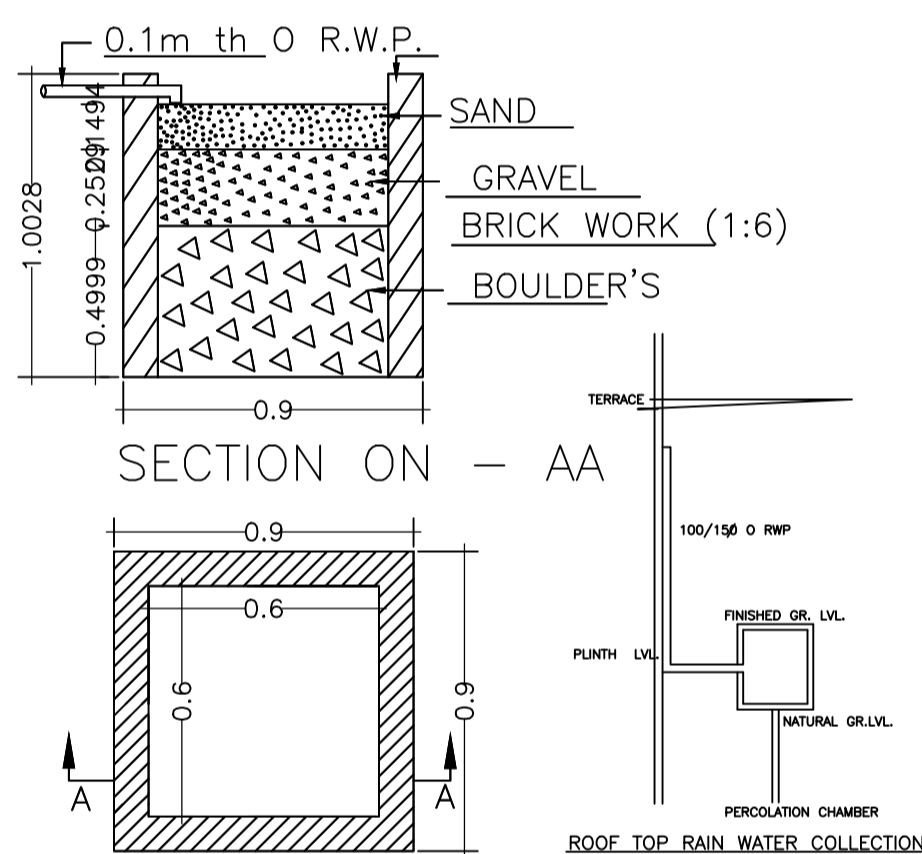
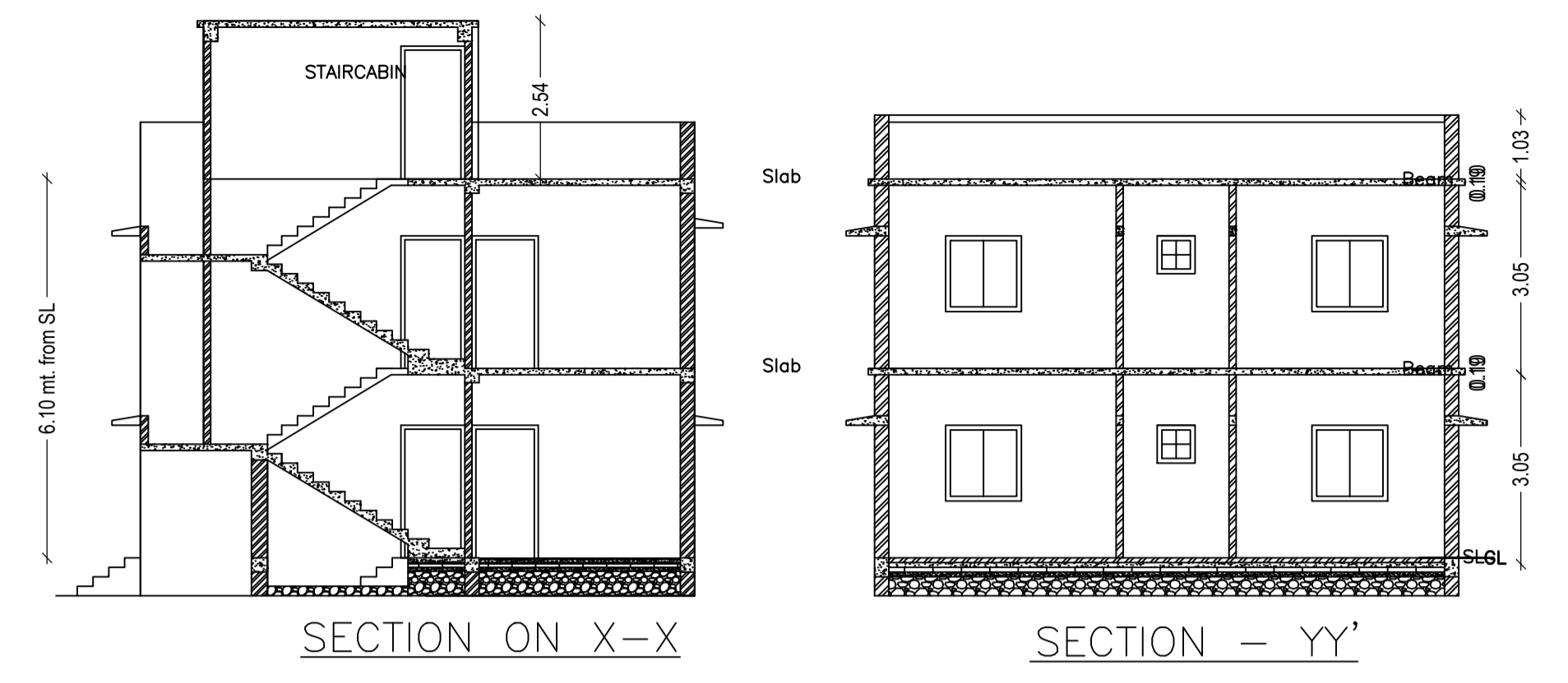
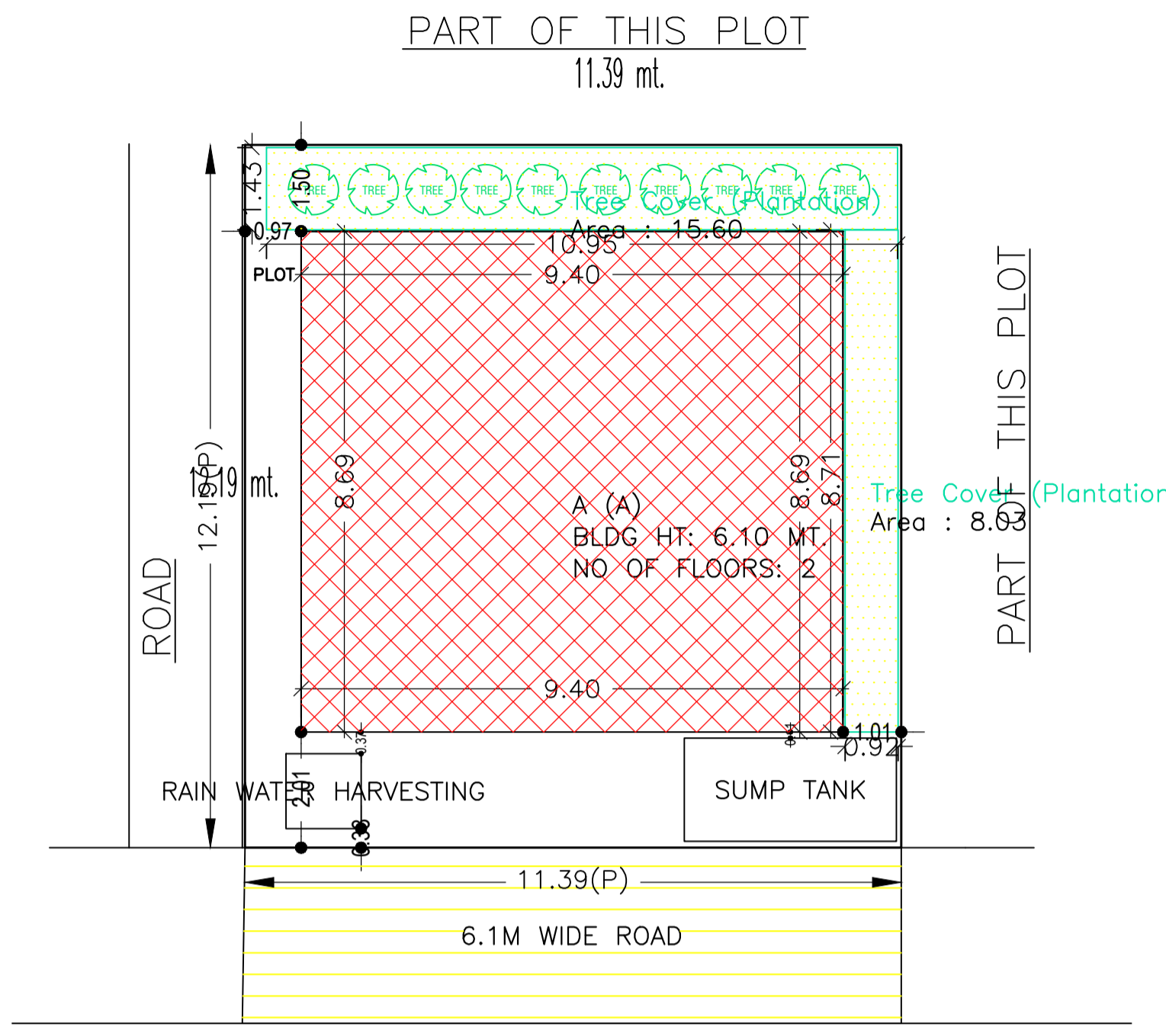


Proposal Basic Information

Proposal File No.	MADA/BP/0051/2020
Owner Name	SRI CHANDAN KUMAR SINGH
Khata No	OLD KHATA NO-72, NEW KHATA NO-82
Plot No	OLD PLOT NO. 2558, NEW PLOT NO. 4054
Village Name	Bara Pichari
Use	Residential
SubUse	Bungalow/ Dwelling / Non Apartment

AREA STATEMENT MINERAL AREA DEVELOPMENT AUTHORITY	VERSION NO.: 1.0.46	VERSION DATE: 22/06/2020
PROJECT DETAIL:	Region: JHARKHAND URBAN LOCAL BODIES	Plot Use: Residential
District: DHANBAD	Plot SubUse: Bungalow/ Dwelling / Non Apartment	
Authority: MINERAL AREA DEVELOPMENT AUTHORITY	PlotNearby/ReligiousStructure: NA	
Inward No: MADA/BP/0051/2020	Plot/SubPlot No: OLD PLOT NO. 2558, NEW PLOT NO. 4054	
Application Type: General Proposal	North: Plot No. - SAME PLOT	
Project Type: Building Permission	South: Road Width - 6.0	
Nature of Development: New	East: Road Width - 6.0	
Location of Development Area: Old Area	West: Plot No. - SAME PLOT	
AREA DETAILS:		SQ.MT.
AREA OF PLOT (Minimum)	(A)	138.85
NET AREA OF PLOT(Gross Plot Area - Deduction from Gross Plot area)	(A-Deductions)	138.85
Deduction for Balance Plot Area(from Gross Plot Area)		
Common Plot		23.63
Total		23.63
BALANCE AREA OF PLOT(Net Plot Area - Recreational/Amenity spaces)	(A-Deductions)	115.22
PLOT AREA FOR COVERAGE(Net Plot Area)	(A-Deductions)	138.85
Plot Area for FAR (Net Plot Area + RoadWidening Area)	(A-Deductions)	138.85
COVERAGE CHECK		
Permissible Coverage area (70.00 %)		97.19
Proposed Coverage Area (58.83 %)		81.68
Total Prop. Coverage Area (58.83 %)		81.68
Balance coverage area (11.17 %)		15.51
FAR CHECK		
Perm. FAR Area (2.50)		347.13
Total Perm. FAR area		347.13
Residential FAR		163.36
Proposed FAR Area		163.36
Total Proposed FAR Area		163.36
Consumed FAR (Factor)		1.18
Balance FAR Area		183.77
BUILT UP AREA CHECK		
Total Proposed BuiltUp Area		163.36
ARCHITECT (Regd)	RAM PRATAP SINGH	
ENGINEER (Regd)		
SUPERVISOR (Regd)		
OWNER (Regd)	SRI CHANDAN KUMAR SINGH	
DEVELOPMENT AUTHORITY		LOCAL BODY



SCHEDULE OF DOOR:

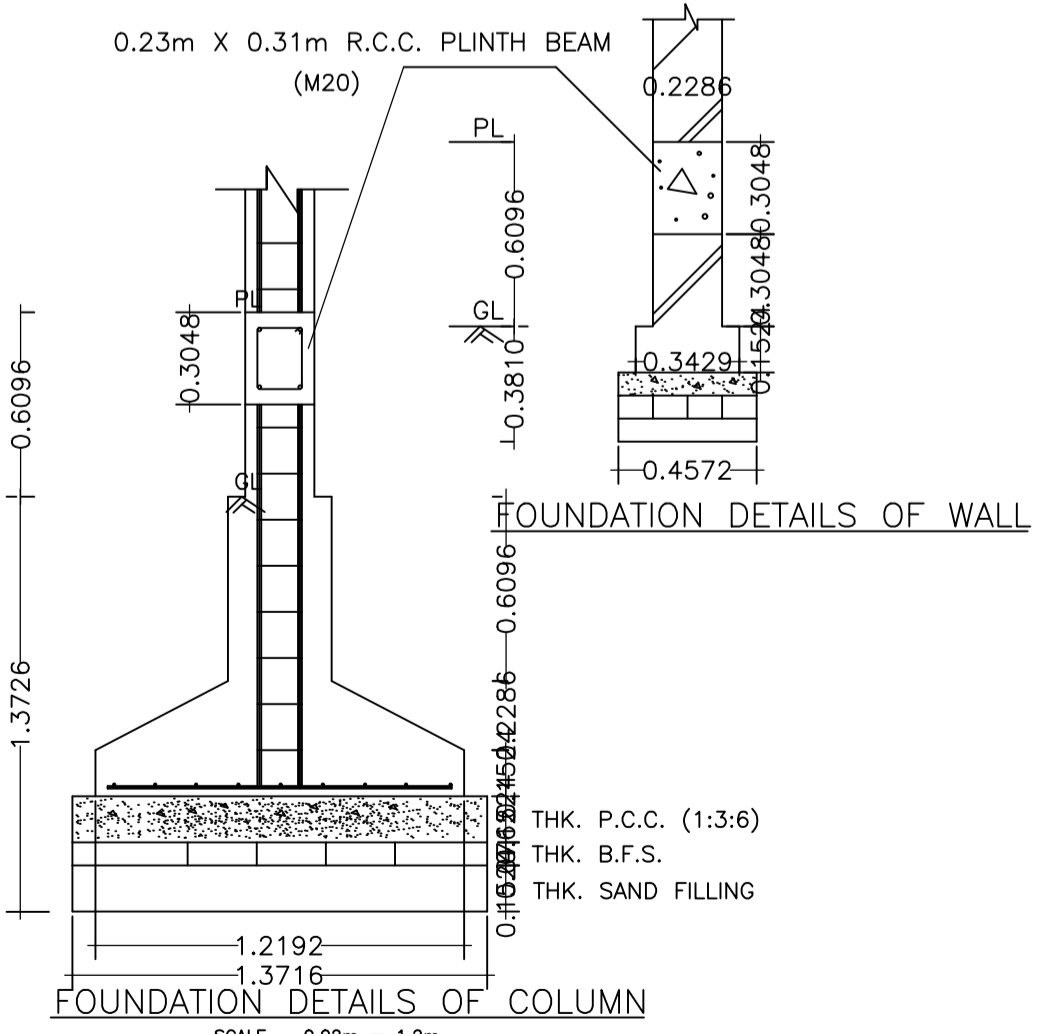
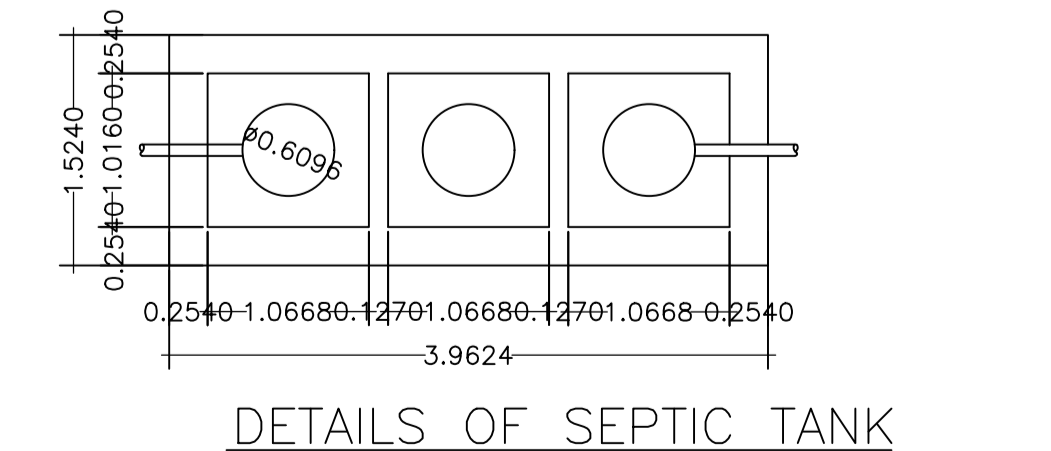
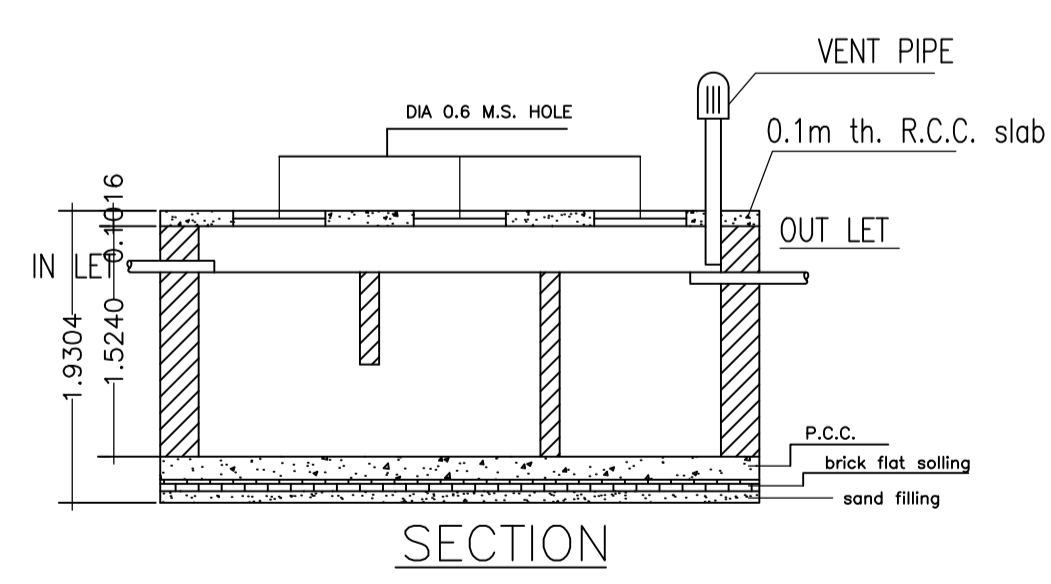
BUILDING NAME	NAME	LENGTH	HEIGHT	NOS
A (A)	D	0.90	2.10	10

SCHEDULE OF WINDOW/VENTILATION:

BUILDING NAME	NAME	LENGTH	HEIGHT	NOS
A (A)	W	1.56	1.20	02
A (A)	W	1.80	1.20	12
A (A)	W	3.19	1.20	02

Building :A (A)

Floor Name	Total Built Up Area (Sq.mt.)	Proposed FAR Area (Sq.mt.) Resi.	Total FAR Area (Sq.mt.)	Total Consumed Additional FAR Area (Sq.mt.)	Tnmt (No.)
Ground Floor	81.68	81.68	81.68	81.68	01
First Floor	81.68	81.68	81.68	81.68	00
Terrace Floor	0.00	0.00	0.00	0.00	00
Total	163.36	163.36	163.36	163.36	01
Total Number of Same Buildings	1				
Total	163.36	163.36	163.36	163.36	01



COLOR INDEX

PLOT BOUNDARY	Black
ABUTTING ROAD	Green
PROPOSED CONSTRUCTION	Red
COMMON PLOT	Yellow
ROAD WIDENING AREA	Blue
EXISTING (To be retained)	Light Blue
EXISTING (To be demolished)	Orange

Buildingwise Floor FAR Details

Floor Name	Building Name A (A)		Total	
	Proposed Built Up Area (Sq.mt.)	Proposed FAR Area (Sq.mt.)	Total Proposed Built Up Area (Sq.mt.)	Total FAR Area (Sq.mt.)
Ground Floor	81.68	81.68	81.68	81.68
First Floor	81.68	81.68	81.68	81.68
Terrace Floor	0.00	0.00	0.00	0.00
Total	163.36	163.36	163.36	163.36

Building USE/SUBUSE Details

Building Name	Building Use	Building SubUse	Building Structure
A (A)	Residential	Residential Bldg/Apartment	Non-Highrise

FAR & Tenement Details (Table 4c-1)

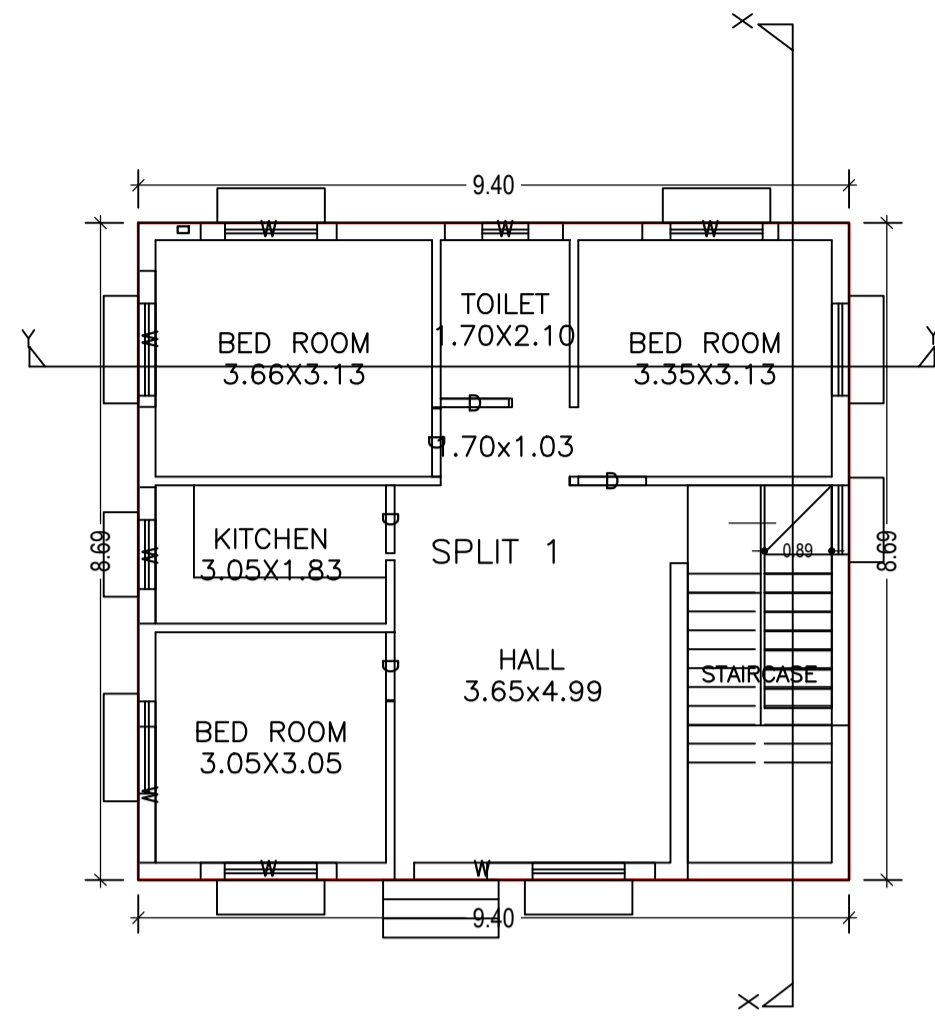
Building	No. of Same Bldg	Total Built Up Area (Sq.mt.)	Proposed FAR Area (Sq.mt.) Resi.	Total FAR Area (Sq.mt.)	Total Consumed Additional FAR Area (Sq.mt.)	Tnmt (No.)
A (A)	1	163.36	163.36	163.36	163.36	01
Grand Total	1	163.36	163.36	163.36	163.36	01

UnitBUA Table for Building :A (A)

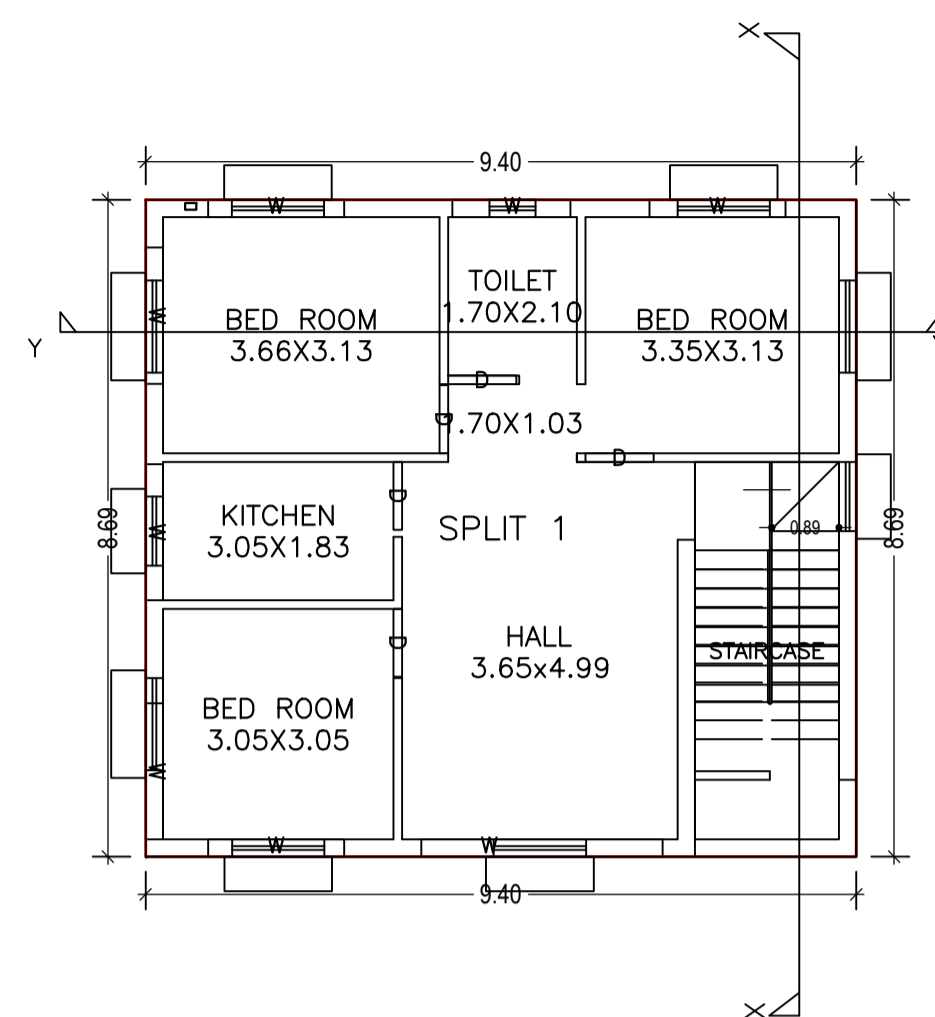
FLOOR	Name	UnitBUA Type	UnitBUA Area	Carpet Area	No. of Rooms	No. of Tenement
GROUND FLOOR-PLAN	SPLIT 1	FLAT	163.36	163.33	6	1
FIRST FLOOR PLAN	SPLIT 1	FLAT	0.00	0.00	6	0
Total	-	-	163.36	163.33	12	1

LTP NAME AND SIGNATURE	STRUCTURAL ENG'S NAME AND SIGNATURE	BUILDER NAME AND SIGNATURE	DIGITAL SIGNATURE
RAM PRATAP SINGH MADA/ARC/0024/2019			

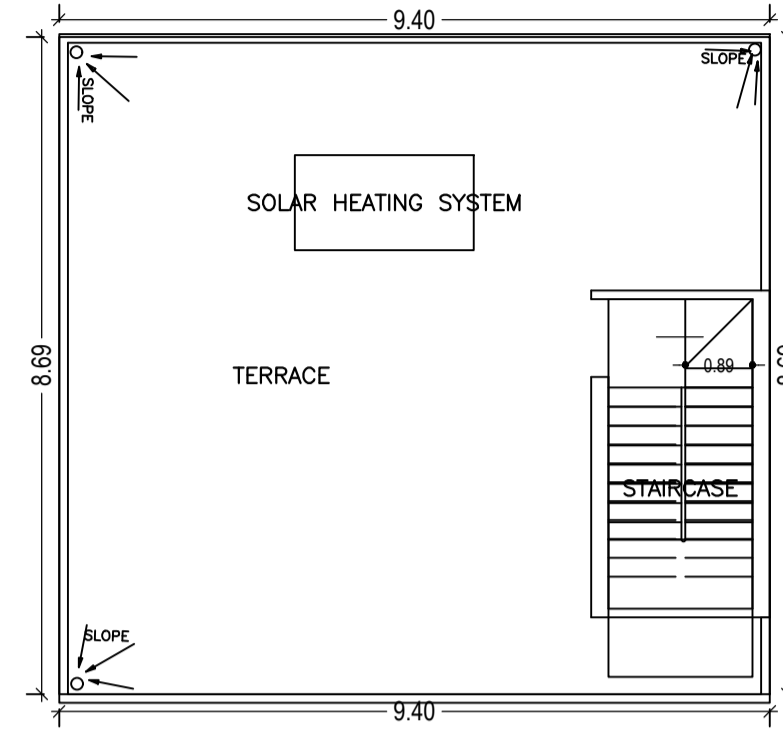
Proposal Basic Information	
Proposal File No.	MADA/BP/0051/2020
Owner Name	SRI CHANDAN KUMAR SINGH
Khata No	OLD KHATA NO-72, NEW KHATA NO-82
Plot No	OLD PLOT NO. 2558, NEW PLOT NO. 4054
Village Name	Bara Pichari
Use	Residential
SubUse	Bungalow/ Dwelling / Non Apartment



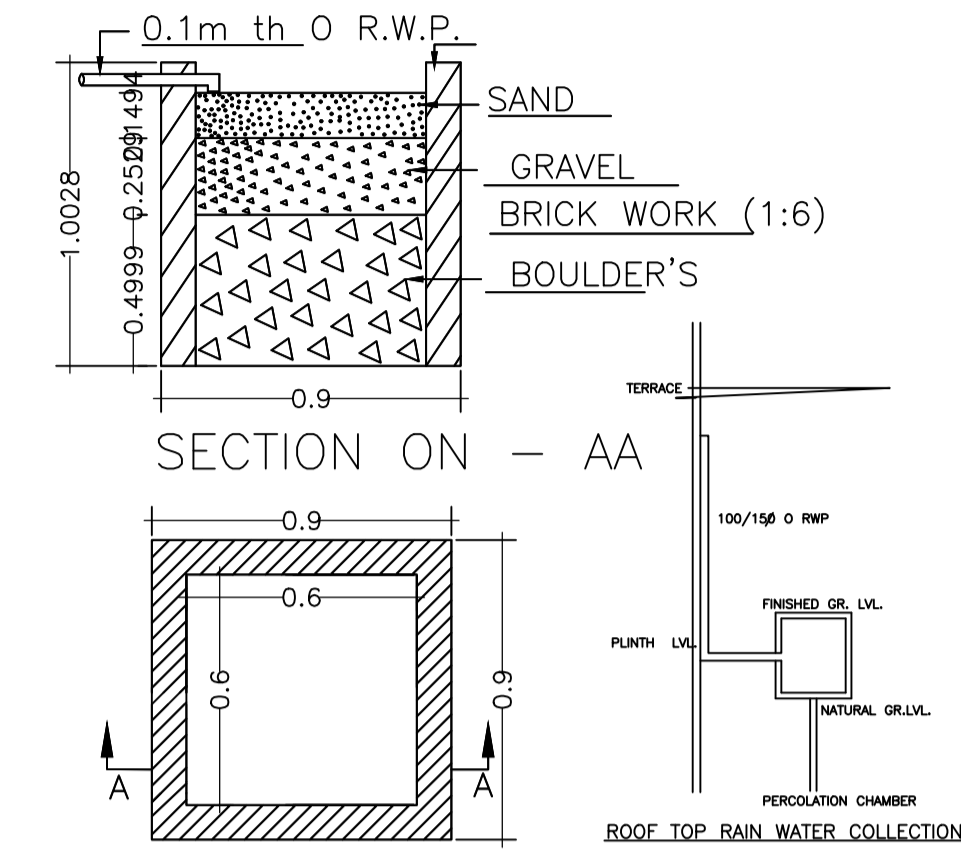
GROUND FLOOR PLAN
(Proposed)
(SCALE 1:100)



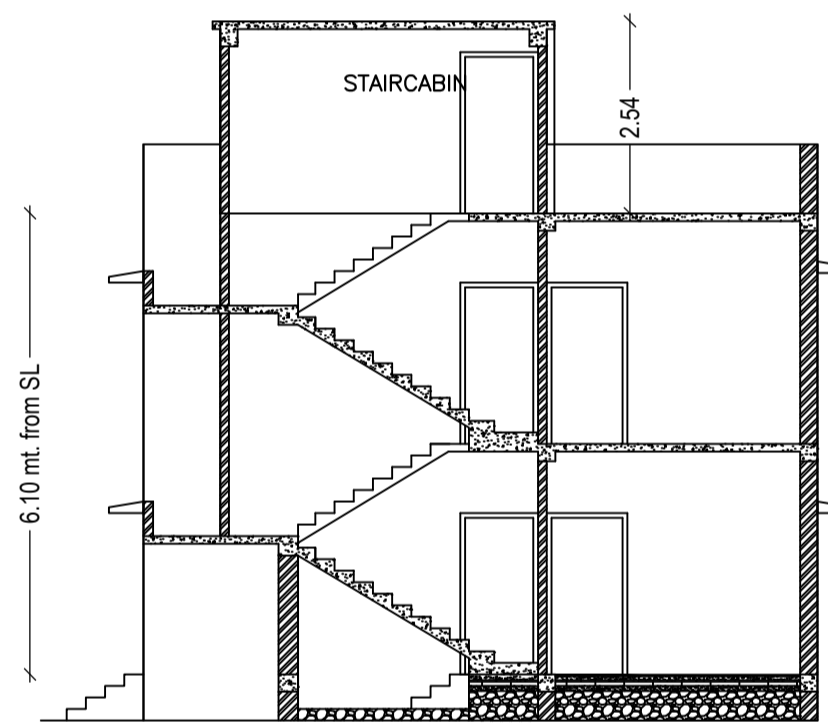
FIRST FLOOR PLAN
(Proposed)
(SCALE 1:100)



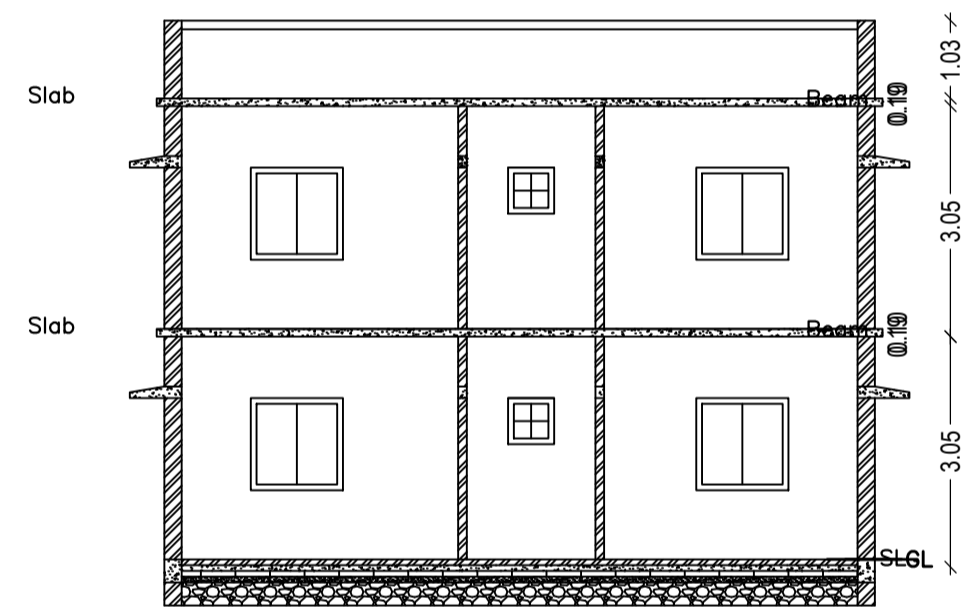
TERRACE FLOOR PLAN
(SCALE 1:100)



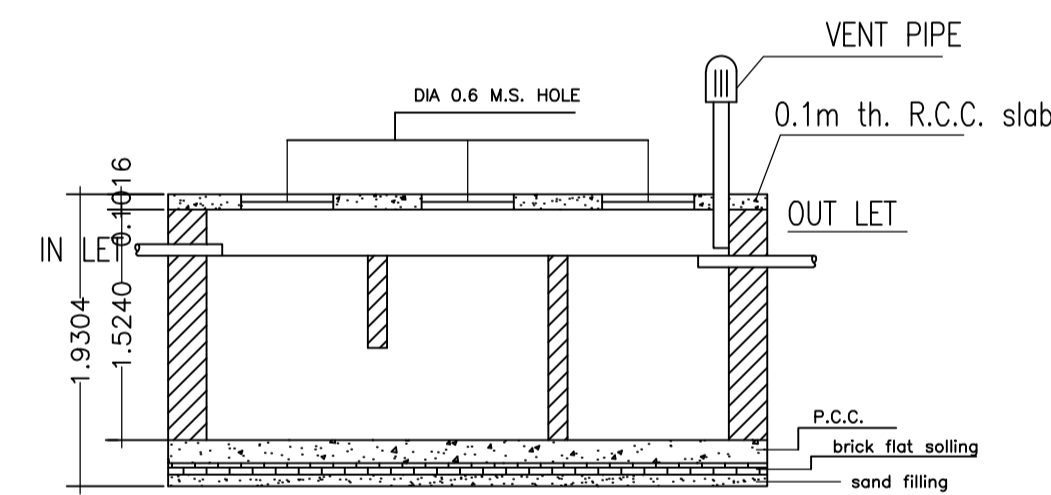
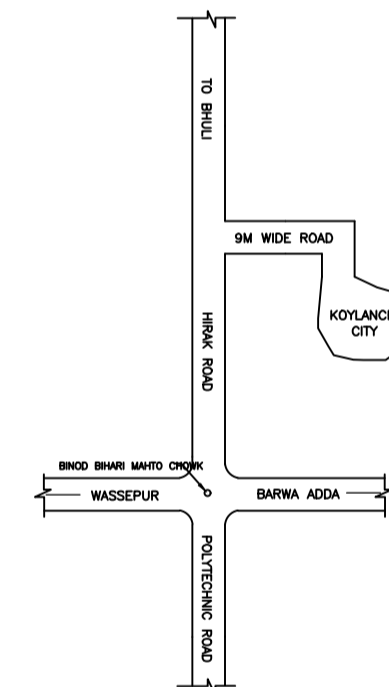
DETAIL'S OF WATER HARVESTING



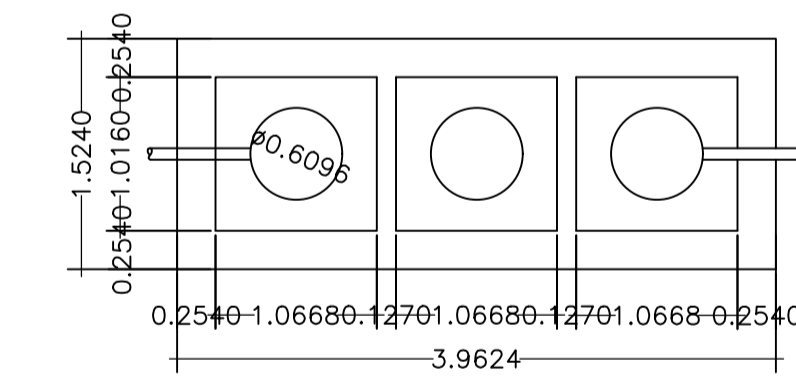
SECTION ON X-X



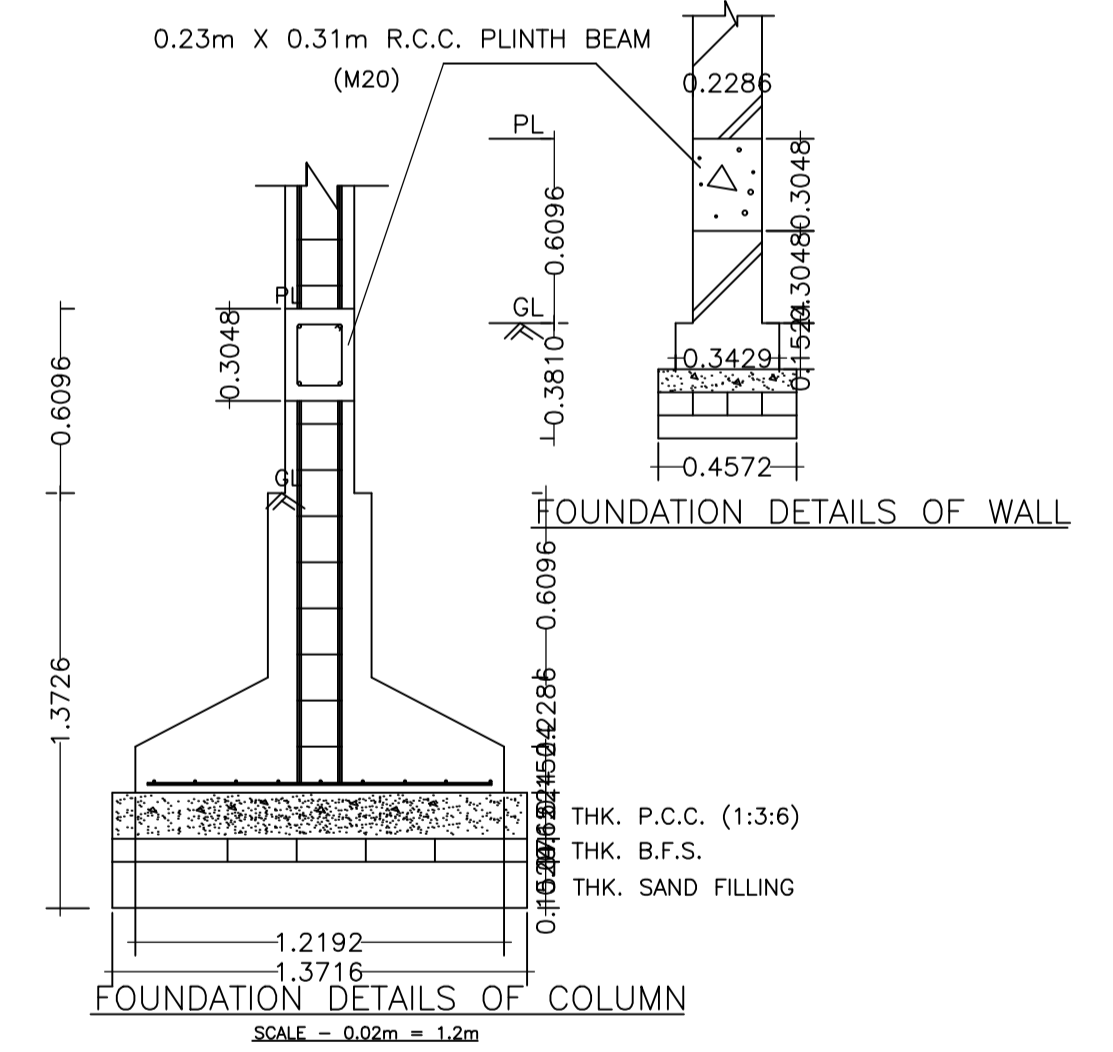
SECTION - YY'



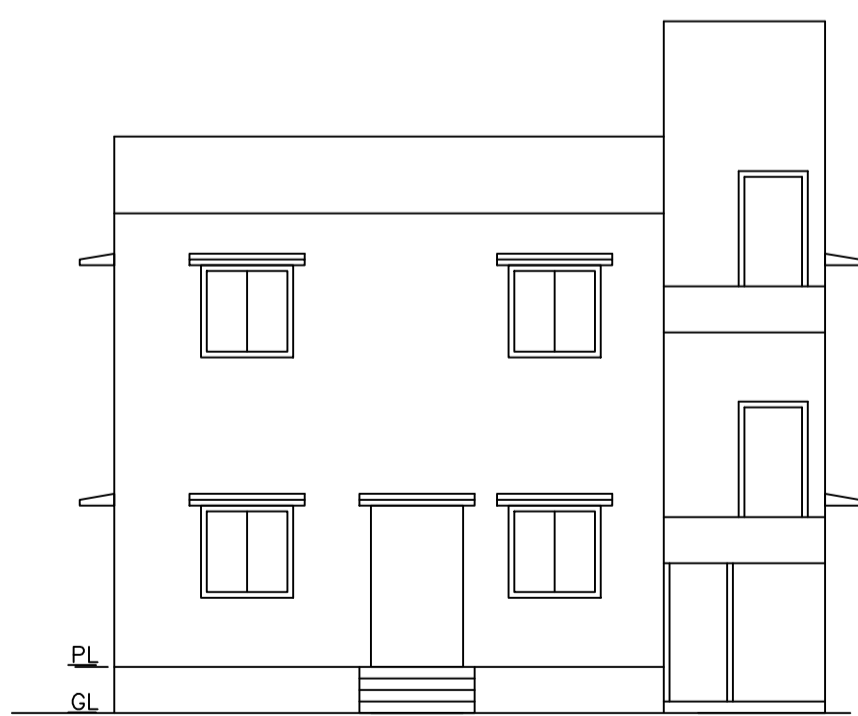
SECTION



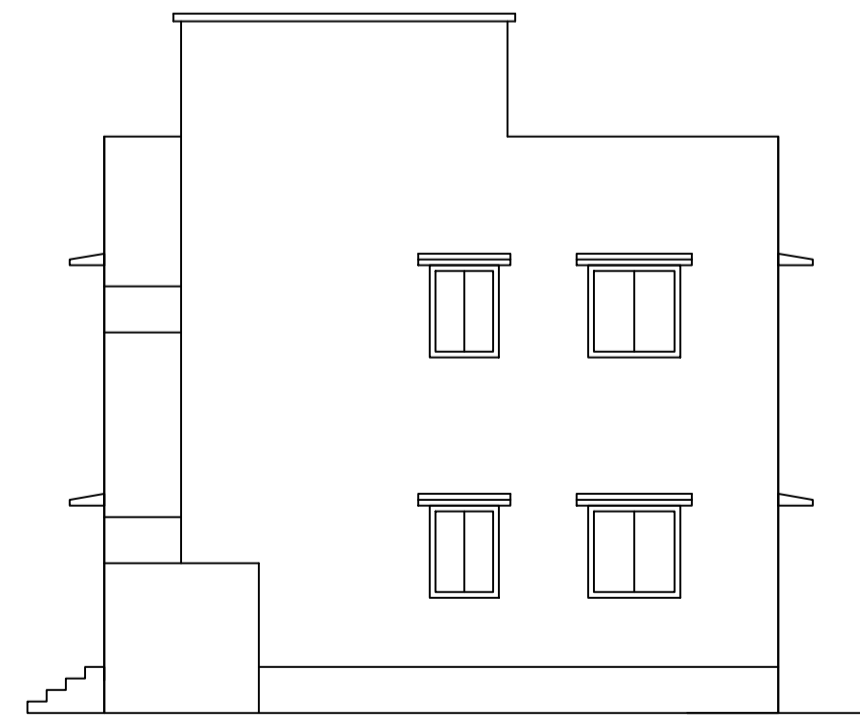
DETAILS OF SEPTIC TANK



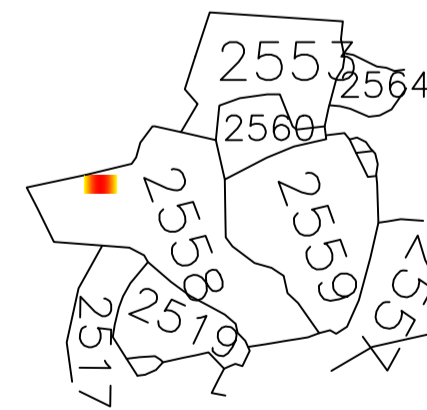
FOUNDATION DETAILS OF COLUMN
SCALE = 0.02m = 1.2m



FRONT ELEVATION



RIGHT ELEVATION



LTP NAME AND SIGNATURE	STRUCTURAL ENG'S NAME AND SIGNATURE	BUILDER NAME AND SIGNATURE	DIGITAL SIGNATURE
RAM PRATAP SINGH MADA/ARC/0024/2019			