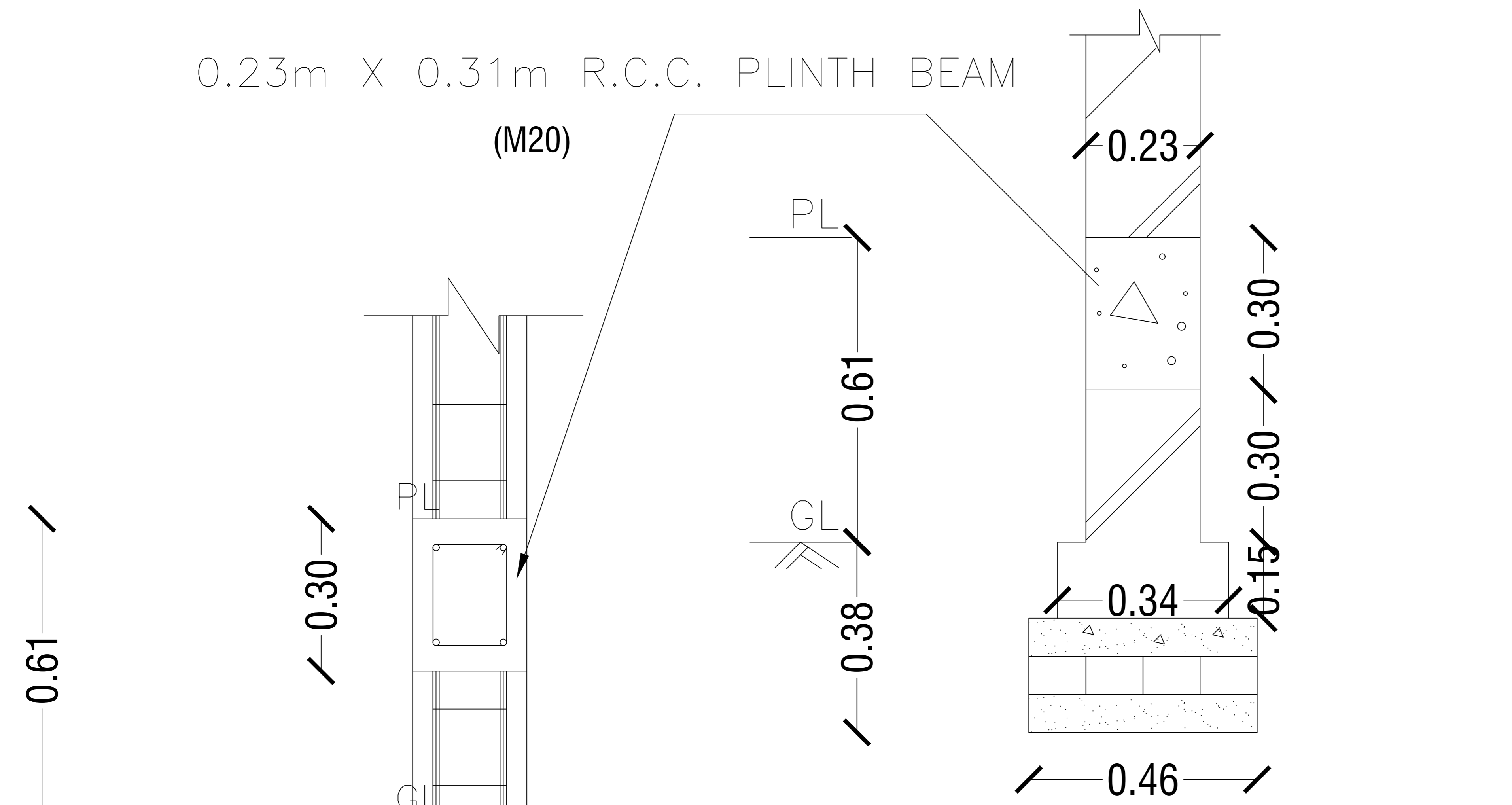


0.23m X 0.31m R.C.C. PLINTH BEAM

(M20)



FOUNDATION DETAILS OF WALL



THK. P.C.C. (1:3:6)

THK. B.F.S.

THK. SAND FILLING

FOUNDATION DETAILS OF COLUMN

SCALE - 0.02m = 1.2m

SLAB SCHEDULE (CONC. GRADE M 20)			
THICKNESS OF SLAB = 4.5 * (EXCEPT MENTIONED OTHERWISE)			
S.NO.	SLAB MARKED	THK.	REINFORCEMENT
1.	S1	0.1m	08 mm. Top @ 150 c/c alternate cranked at support
			08 mm. Top @ 150 c/c alternate cranked at support

TYPICAL REINFORCEMENT DETAILS OF SLAB

