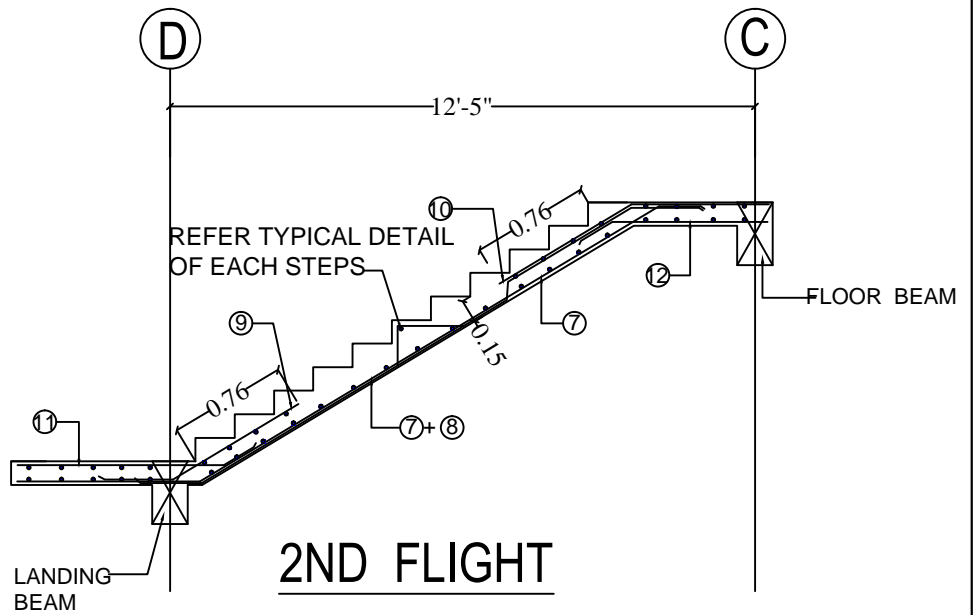
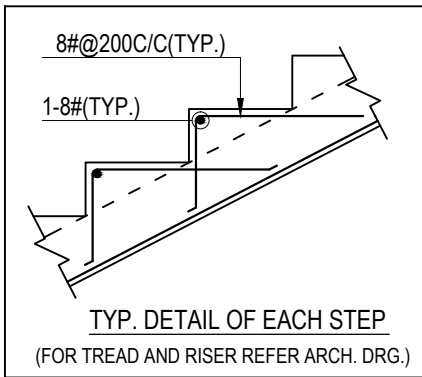
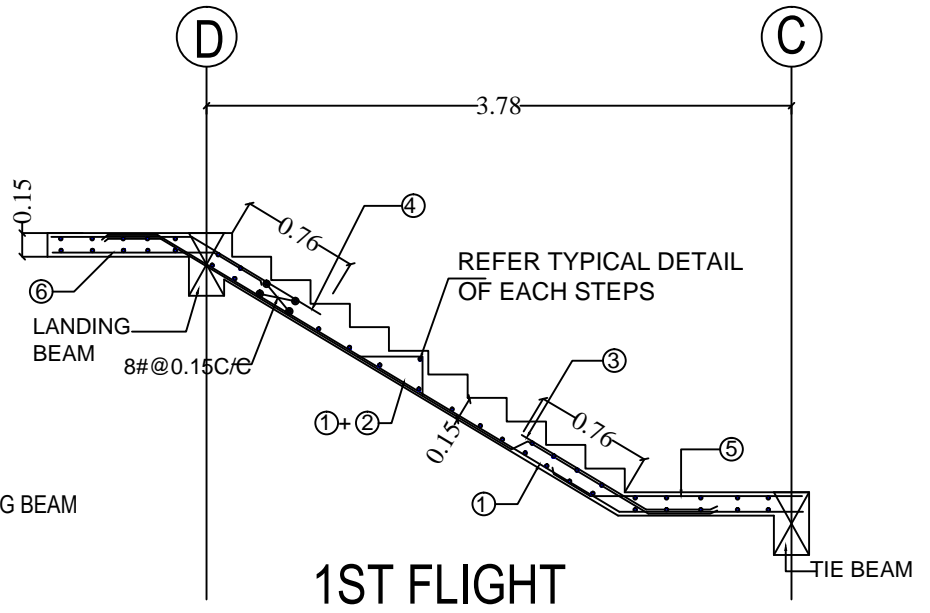
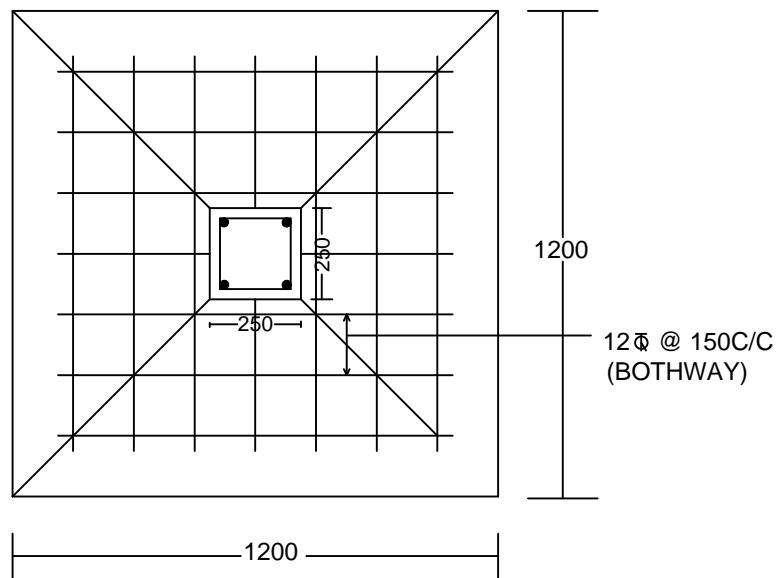
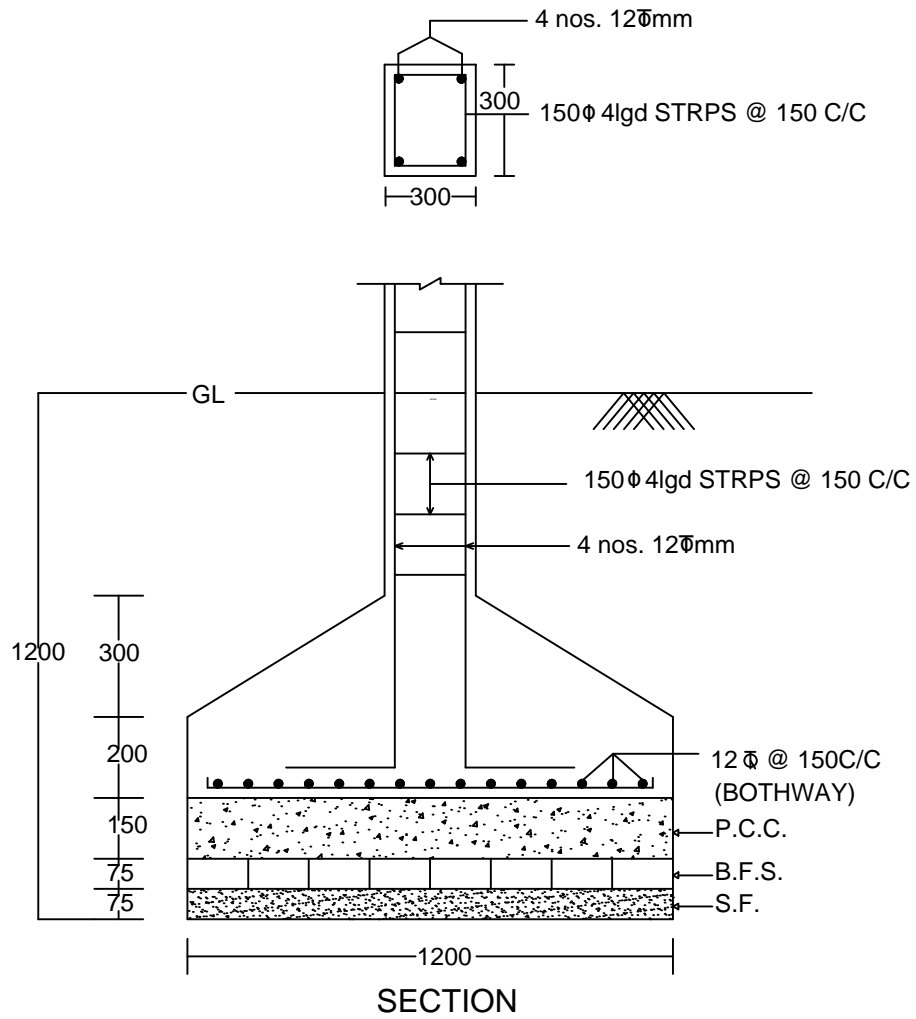


STAIR BEAM LAYOUT PLAN





DETAIL OF COLUMNS