

Proposal Basic Information

Proposal File No.	MADA/BP/0056/2020
Owner Name	1.SMT ANJALI KESHRI,2. SRI SANJAY KUMAR KESHRI
Khata No	OLD- 20 , NEW - 19
Plot No	OLD- 2515 , NEW - 4065
Village Name	Bara Pichri
Use	Residential
SubUse	Bungalow/ Dwelling / Non Apartment

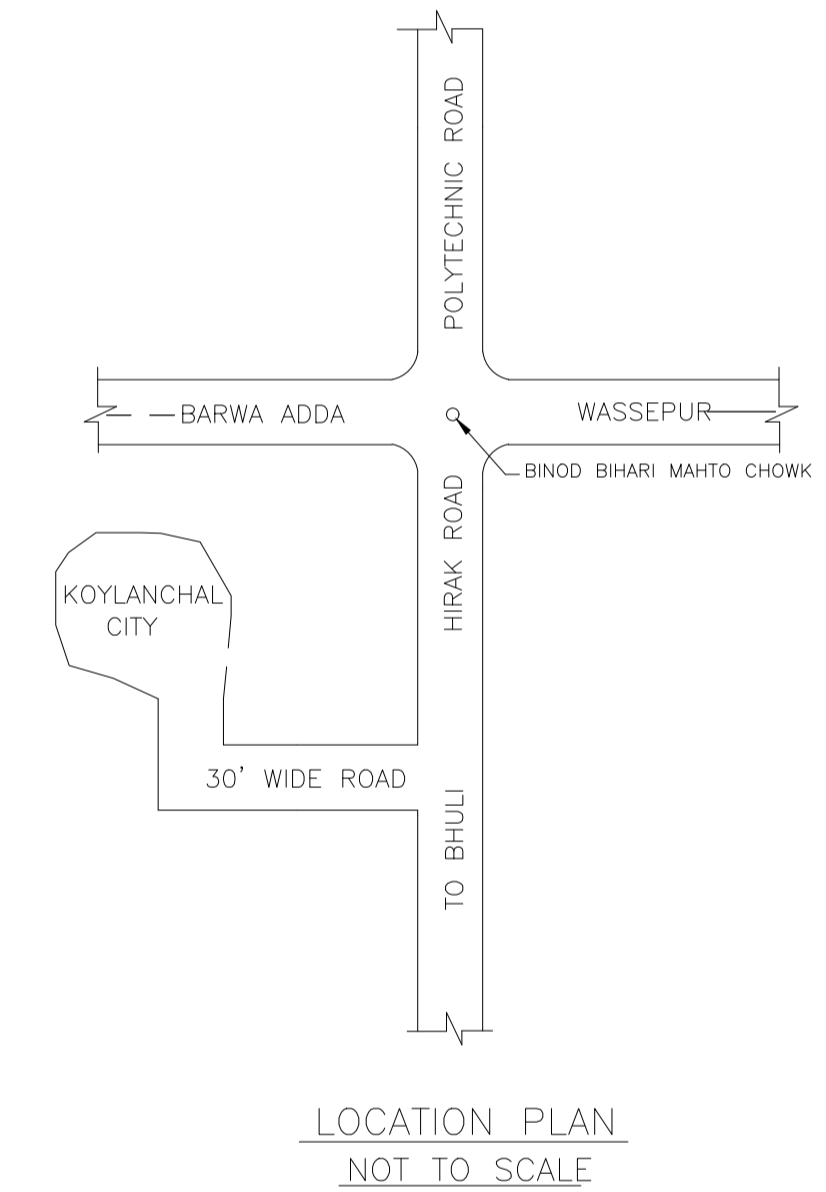
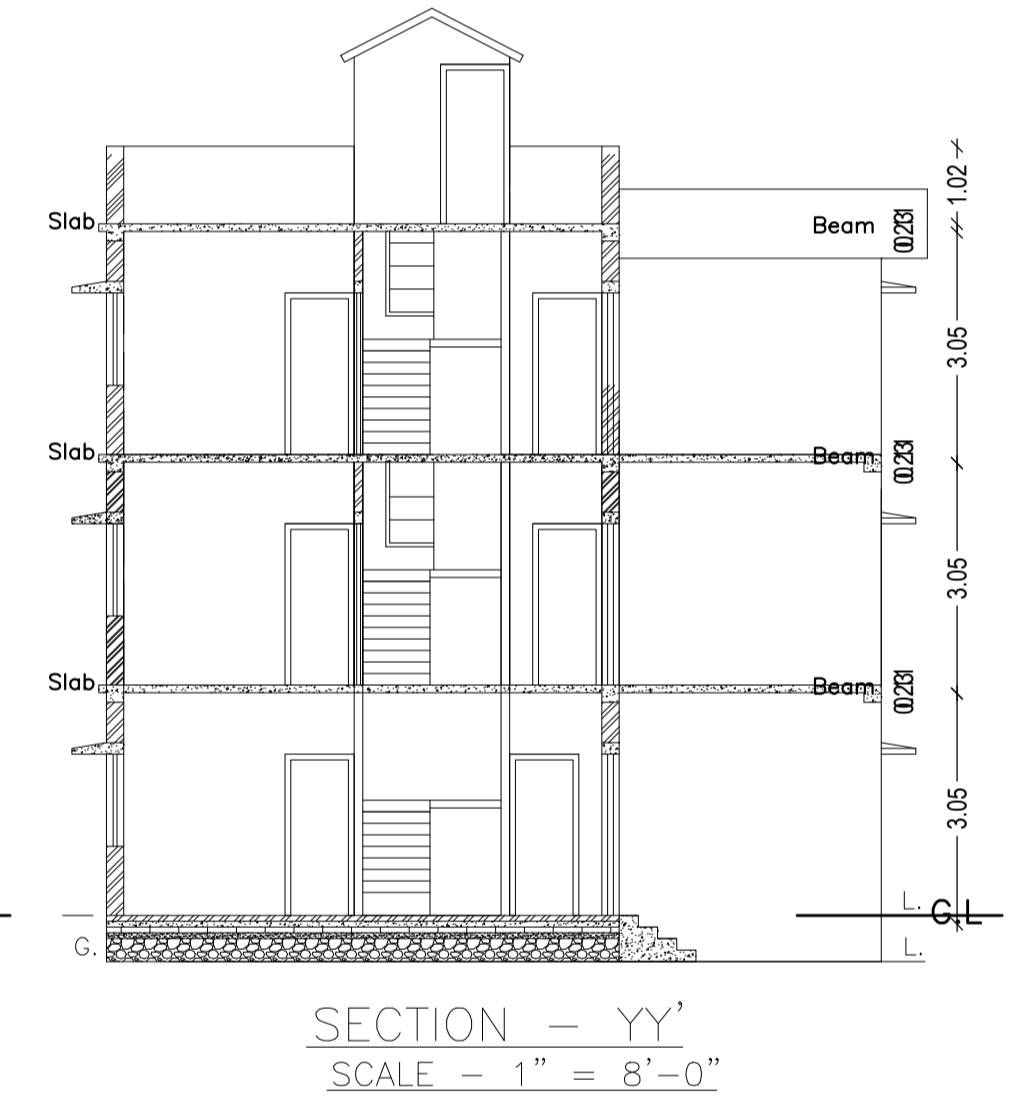
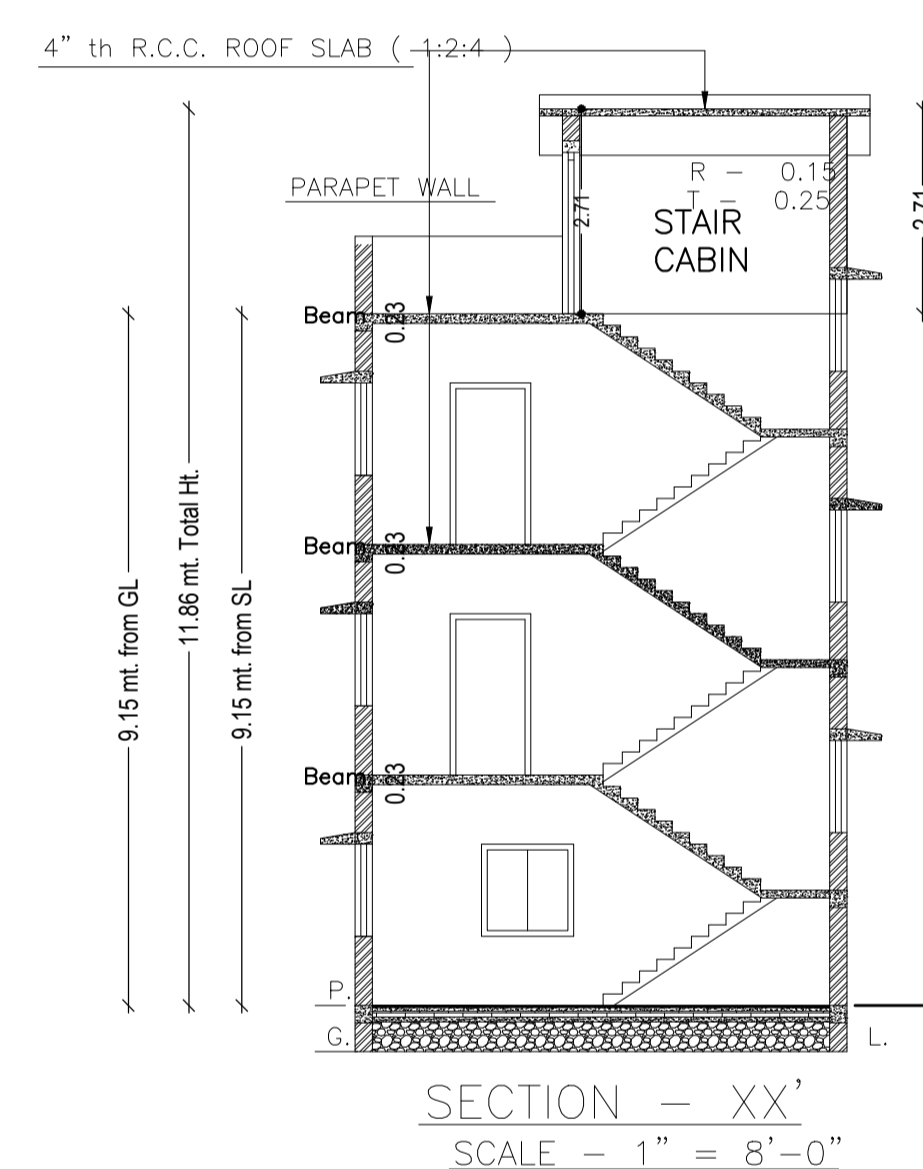
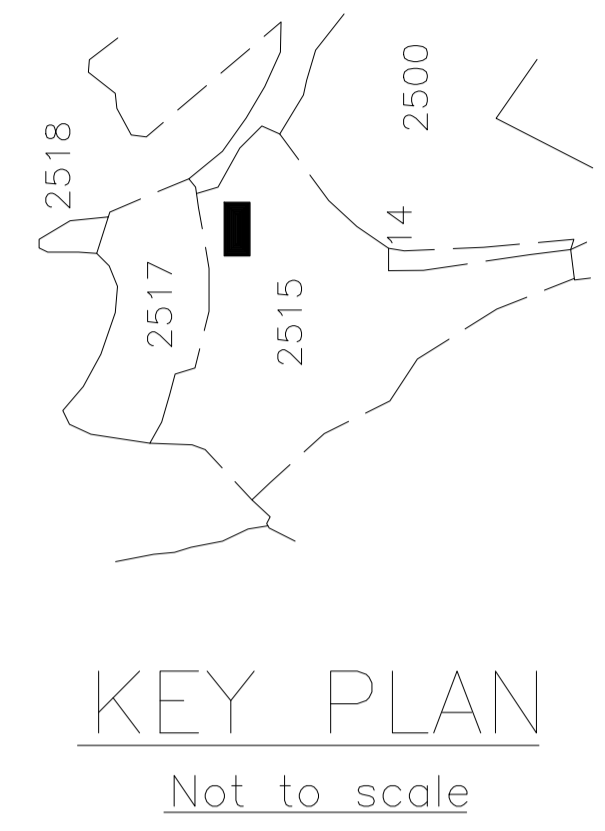
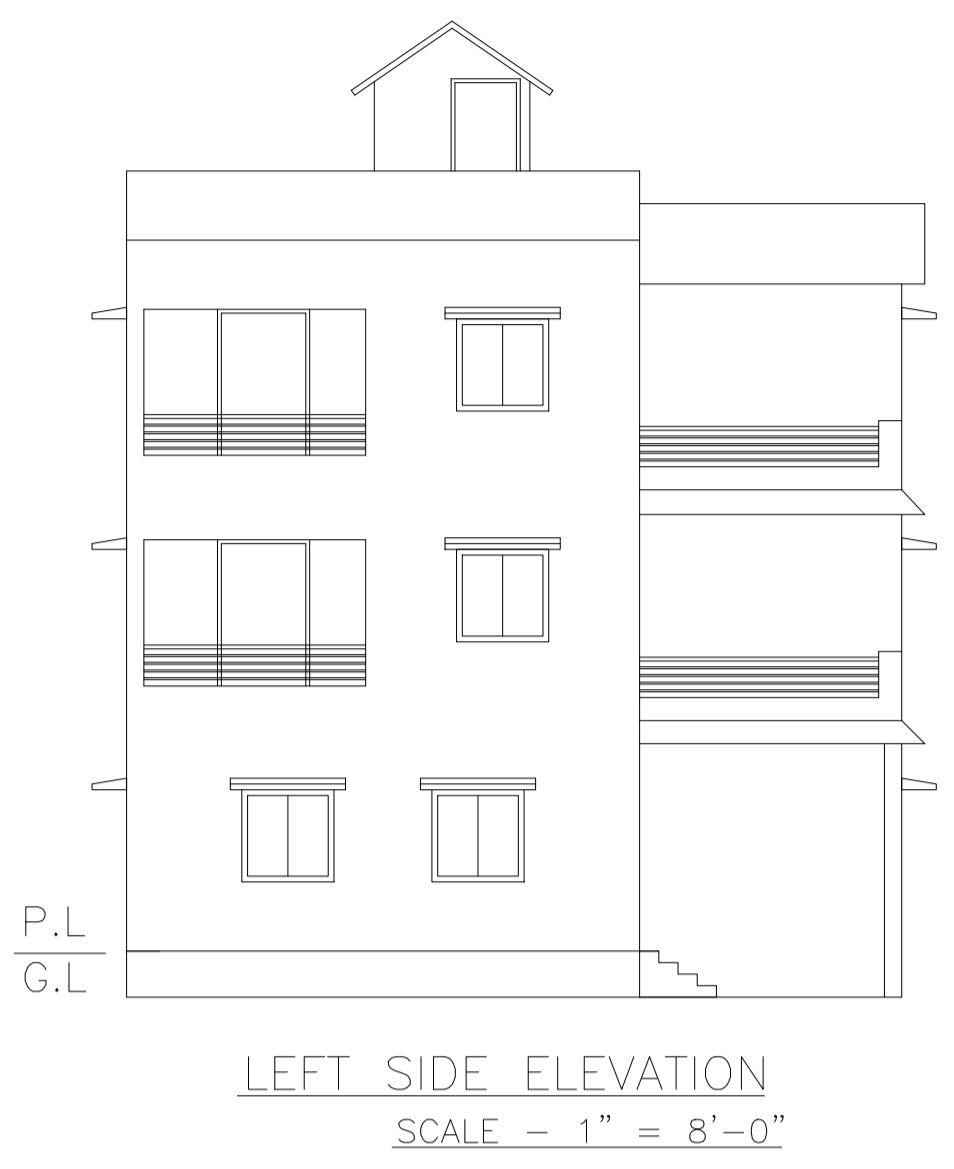
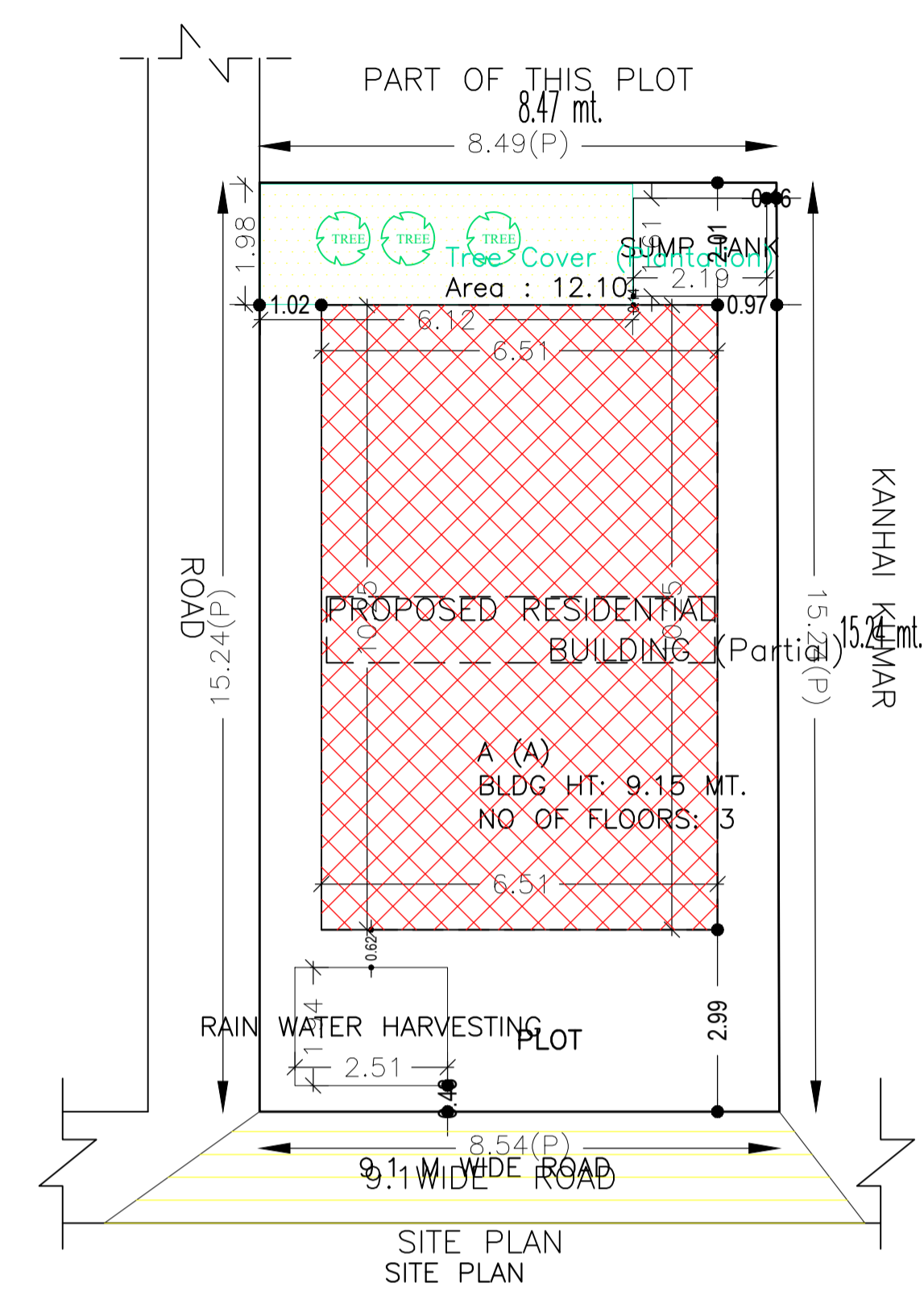
AREA STATEMENT MINERAL DEVELOPMENT AUTHORITY	VERSION NO. : 1.0.50
PROJECT DETAIL:	VERSION DATE: 16/10/2020
Region: JHARKHAND URBAN LOCAL BODIES	Plot Use: Residential
District: DHANBAD	Plot SubUse: Bungalow/ Dwelling / Non Apartment
Authority: MINERAL AREA DEVELOPMENT AUTHORITY	PlotNearby/ReligiousStructure: NA
Inward No: MADA/BP/0056/2020	Plot/SubPlot No: OLD- 2515 , NEW - 4065
Application Type: General Proposal	North: Road Width - 9.14 M WIDE ROAD
Project Type: Building Permission	South: Plot No. - KANHAI KUMAR
Nature of Development: Addition or Alteration	East: Plot No. - PART OF THIS PLOT
Location of Development Area: Old Area	West: Plot No. - ROAD

AREA OF PLOT (Minimum)	(A)	SQ.MT.
NET AREA OF PLOT(Gross Plot Area - Deduction from Gross Plot area)	(A-Deductions)	129.76
Deduction for Balance Plot Area(from Gross Plot Area)		
Common Plot		12.10
Total		12.10
BALANCE AREA OF PLOT(Net Plot Area - Recreational/Amenity space)	(A-Deductions)	117.66
PLOT AREA FOR COVERAGE(Net Plot Area)	(A-Deductions)	129.76
Plot Area for FAR (Net Plot Area + Road Widening Area)	(A-Deductions)	129.76

COVERAGE CHECK		
Permissible Coverage area (70.00 %)		90.83
Proposed Coverage Area (51.40 %)		66.69
Total Prop. Coverage Area (51.4 %)		66.69
Balance coverage area (18.60 %)		24.14
FAR CHECK		
Perm. FAR Area (2.50)		324.40
Total Perm. FAR area		324.40
Residential FAR		200.07
Proposed FAR Area		200.07
Total Proposed FAR Area		200.07
Consumed FAR (Factor)		1.54
Balance FAR Area		124.33
BUILT UP AREA CHECK		
Total Proposed BuiltUp Area		200.07

ARCHITECT (Regd)	RAJEEV RANJAN SINGH
ENGINEER (Regd)	
SUPERVISOR (Regd)	1.SMT ANJALI KESHRI,2. SRI SANJAY KUMAR KESHRI
OWNER (Regd)	
DEVELOPMENT AUTHORITY LOCAL BODY	

COLOR INDEX	
PLOT BOUNDARY	Black
ABUTTING ROAD	Green
PROPOSED CONSTRUCTION	Red
COMMON PLOT	Yellow
ROAD WIDENING AREA	Blue
EXISTING (To be retained)	Light Blue
EXISTING (To be demolished)	Dark Blue



SCHEDULE OF DOOR:

BUILDING NAME	NAME	LENGTH	HEIGHT	NOS
A (A)	D	0.79	2.10	03
A (A)	D	0.84	2.10	03
A (A)	D	0.91	2.10	05
A (A)	D	0.99	2.10	03
A (A)	D	1.07	2.10	02
A (A)	D	1.22	2.10	03
A (A)	Arch	2.34	2.10	01

SCHEDULE OF WINDOW/VENTILATION:

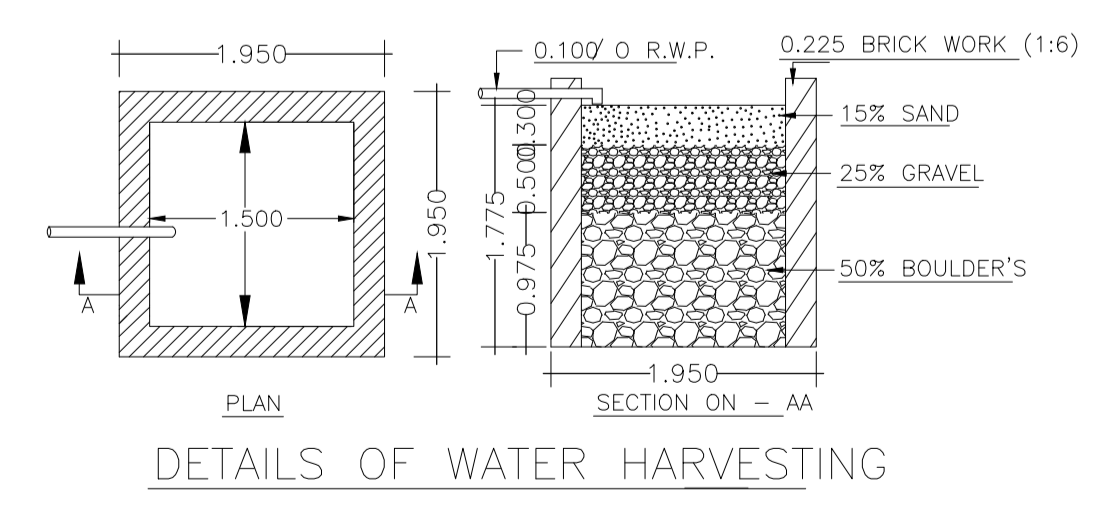
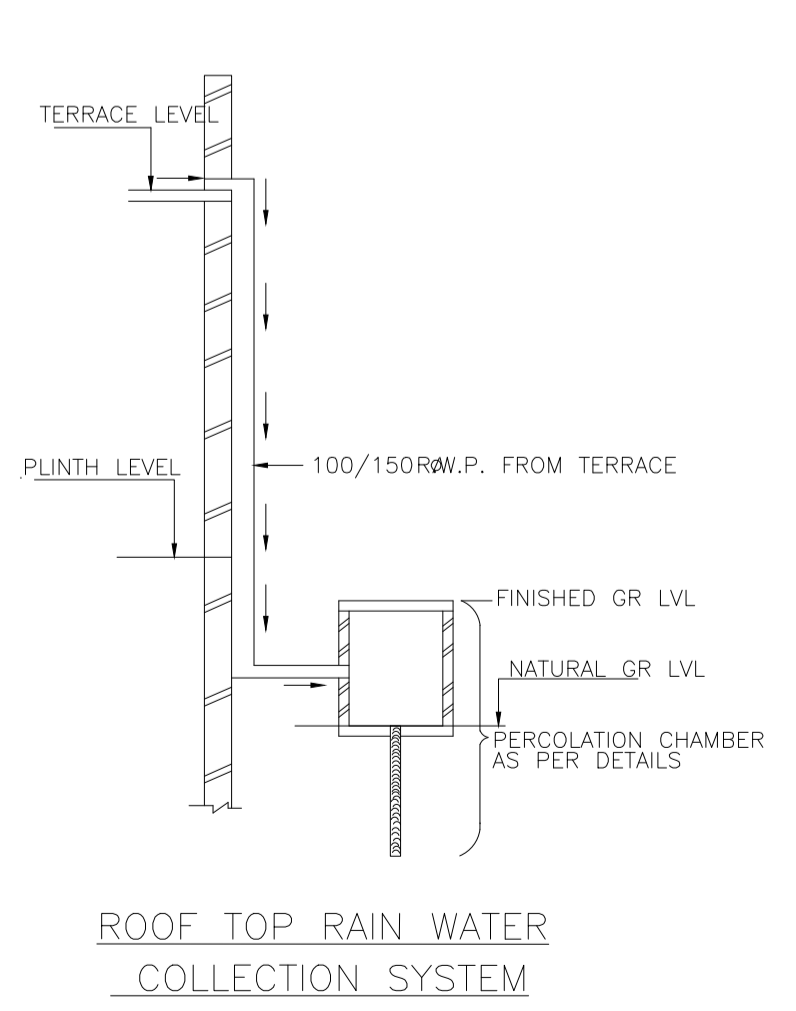
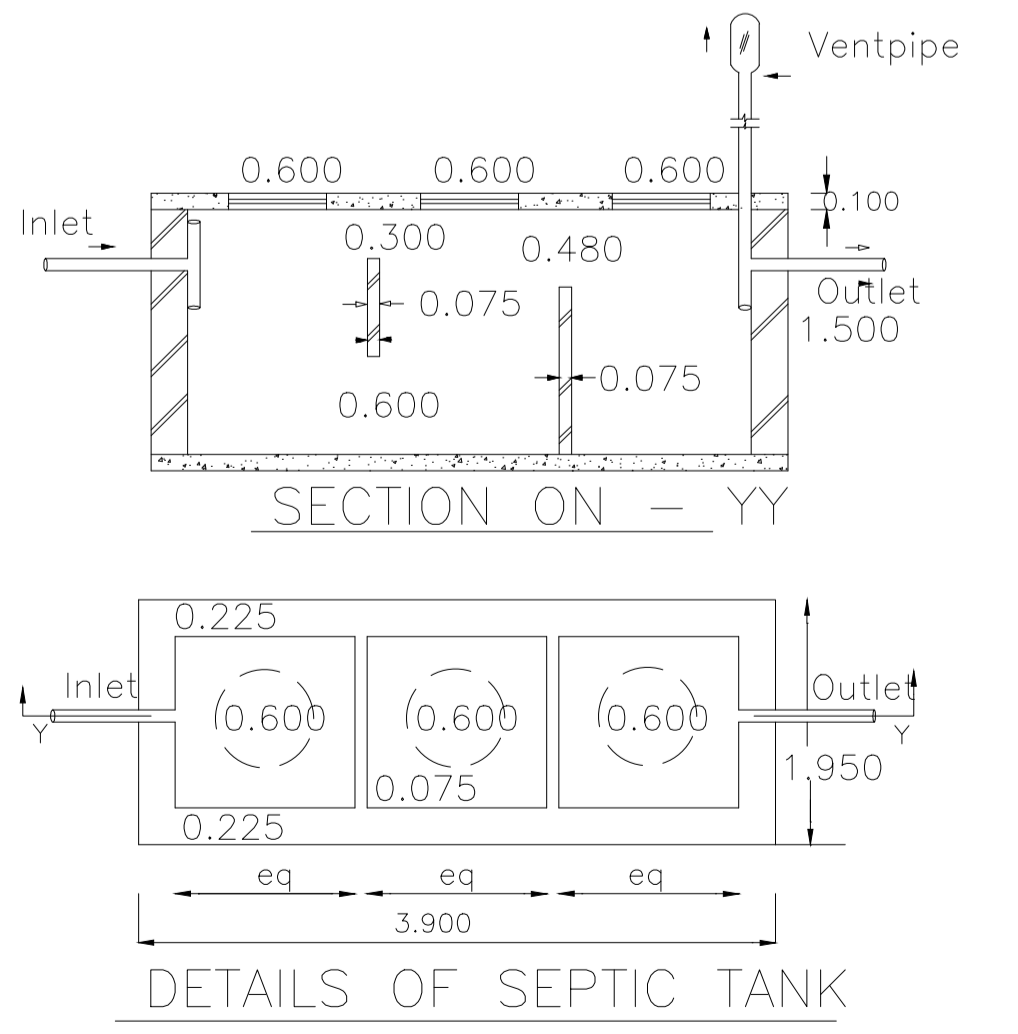
BUILDING NAME	NAME	LENGTH	HEIGHT	NOS
A (A)	W	0.61	1.20	05
A (A)	W	0.95	1.20	01
A (A)	W	1.22	1.20	19

UnitBUA Table for Building :A (A)

FLOOR	Name	UnitBUA Type	Ently Type	UnitBUA Area	Carpet Area	No. of Rooms	No. of Tenement
SECOND FLOOR PLAN	SPLIT A	FLAT	Proposed	0.00	0.00	7	0
FIRST FLOOR PLAN	SPLIT A	FLAT	Proposed	0.00	0.00	1	0
	SPLIT A	FLAT	Existing	0.00	0.00	6	0
GROUND FLOOR PLAN	SPLIT A	FLAT	Existing	200.07	199.74	6	1
Total	-	-	-	200.07	199.74	20	1

Building :A (A)

Floor Name	Total Built Up Area (Sq.mt.)	Existing Built Up Area (Sq.mt.)	Proposed Built Up Area (Sq.mt.)	Existing FAR Area (Sq.mt.)	Proposed FAR Area (Sq.mt.)	Total FAR Area (Sq.mt.)	Total Consumed Additional FAR Area (Sq.mt.)	Tnmt (No.)
Ground Floor	66.69	66.69	0.00	66.69	0.00	66.69	66.69	01
First Floor	66.69	57.17	9.52	57.17	9.52	66.69	66.69	00
Second Floor	66.69	0.00	66.69	0.00	66.69	66.69	66.69	00
Terrace Floor	0.00	0.00	0.00	0.00	0.00	0.00	0.00	00
Total	200.07	123.86	76.21	123.86	76.21	200.07	200.07	01



Buildingwise Floor FAR Details

Floor Name	Building Name A (A)				Total			
	Proposed Built Up Area (Sq.mt.)	Existing Built Up Area (Sq.mt.)	Proposed FAR Area (Sq.mt.)	Existing FAR Area (Sq.mt.)	Total Proposed Built Up Area (Sq.mt.)	Total Existing Built Up Area (Sq.mt.)	Total FAR Area (Sq.mt.)	Total Existing FAR Area (Sq.mt.)
Ground Floor	0.00	66.69	0.00	66.69	0.00	66.69	0.00	66.69
First Floor	9.52	57.17	9.52	57.17	9.52	57.17	9.52	57.17
Second Floor	66.69	0.00	66.69	0.00	66.69	0.00	66.69	0.00
Terrace Floor	0.00	0.00	0.00	0.00	0.00	0.00	0.00	0.00
Total	76.21	123.86	76.21	123.86	76.21	123.86	76.21	123.86

Building USE/SUBUSE Details

Building Name	Building Use	Building SubUse	Building Structure
A (A)	Residential	Bungalow/ Dwelling / Non Apartment	Non-Highrise

FAR & Tenement Details (Table 4c-1)

Building	No. of Same Bldg	Total Built Up Area (Sq.mt.)	Existing Built Up Area (Sq.mt.)	Proposed Built Up Area (Sq.mt.)	Existing FAR Area (Sq.mt.)	Proposed FAR Area (Sq.mt.)	Total FAR Area (Sq.mt.)	Total Consumed Additional FAR Area (Sq.mt.)	Tnmt (No.)
A (A)	1	200.07	123.86	76.21	123.86	76.21	200.07	200.07	01
Grand Total	1	200.07	123.86	76.21	123.86	76.21	200.07	200.07	01

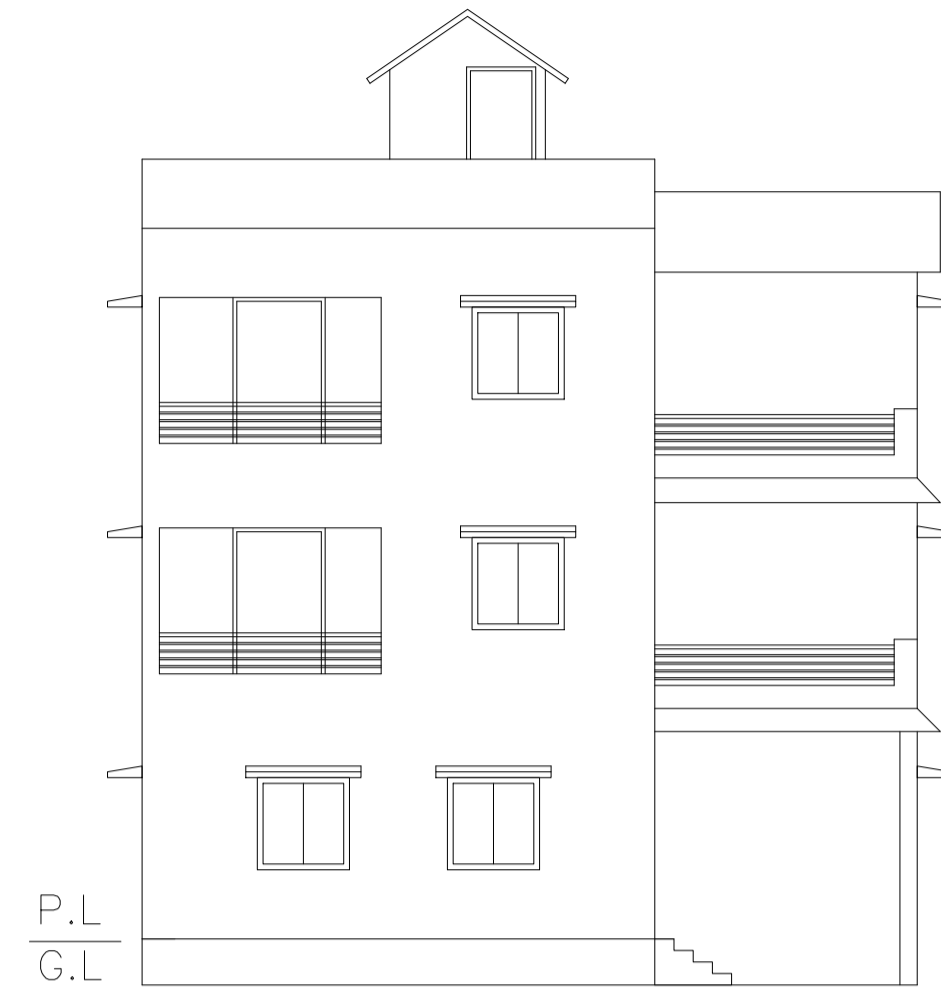
LTP NAME AND SIGNATURE	STRUCTURAL ENG'S NAME AND SIGNATURE	BUILDER NAME AND SIGNATURE	DIGITAL SIGNATURE
RAJEEV RANJAN SINGH MADA/ENG/0004/2019			

Proposal Basic Information

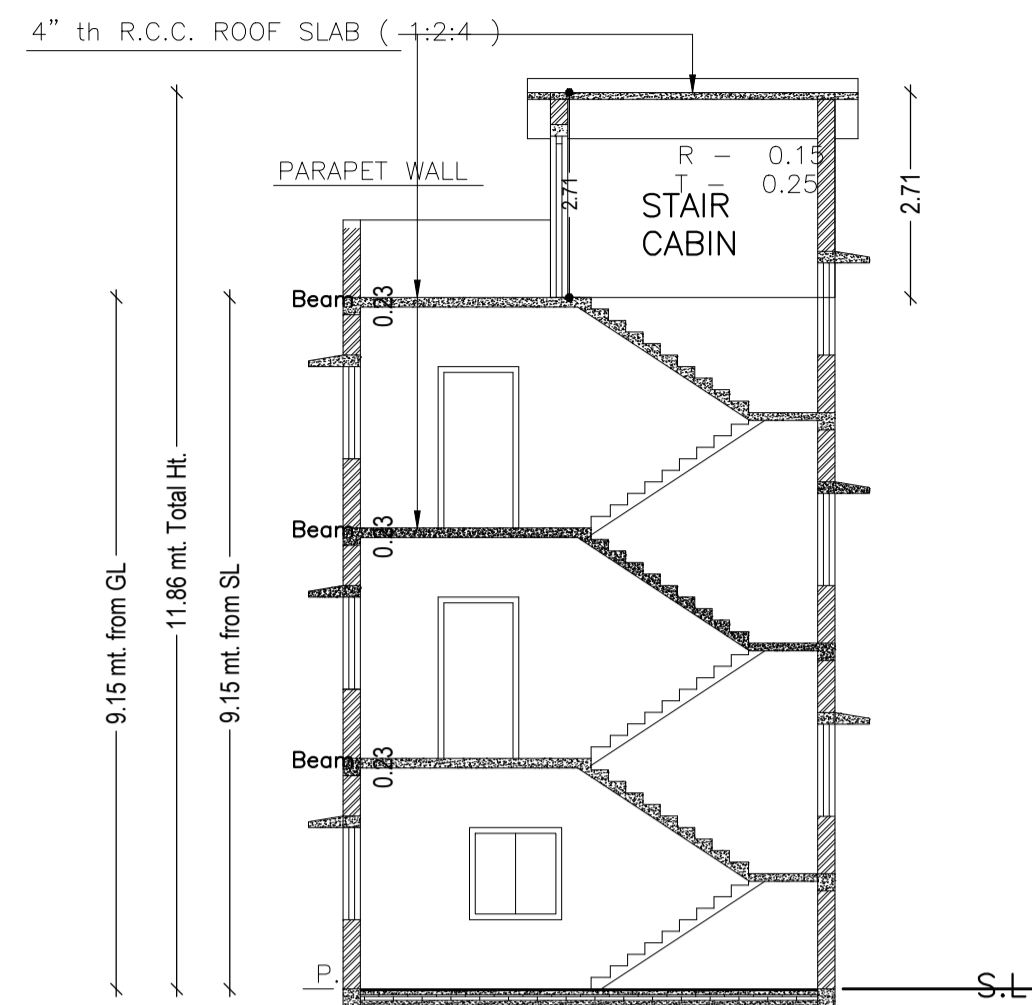
Proposal File No.	MADA/BP/0056/2020
Owner Name	1.SMT ANJALI KESHRI,2. SRI SANJAY KUMAR KESHRI
Khata No	OLD- 20 , NEW - 19
Plot No	OLD- 2515 , NEW - 4065
Village Name	Bara Pichri
Use	Residential
SubUse	Bungalow/ Dwelling / Non Apartment



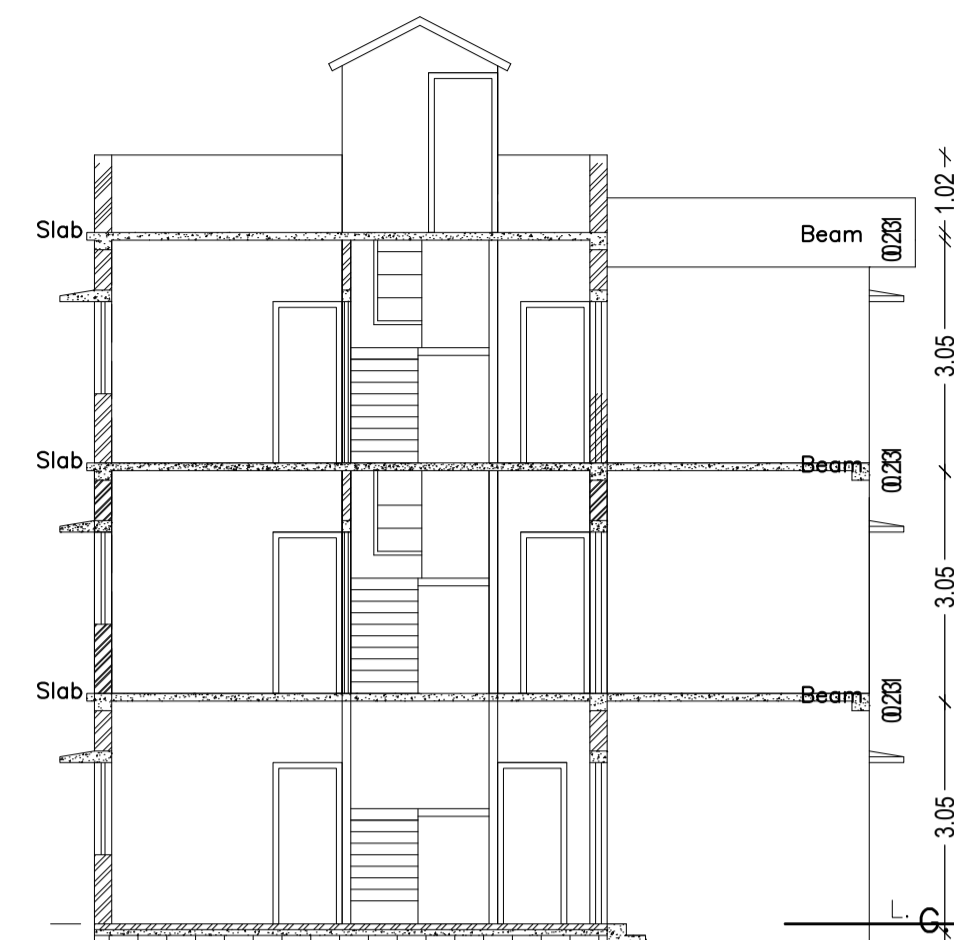
FRONT ELEVATION
SCALE - 1" = 8'-0"



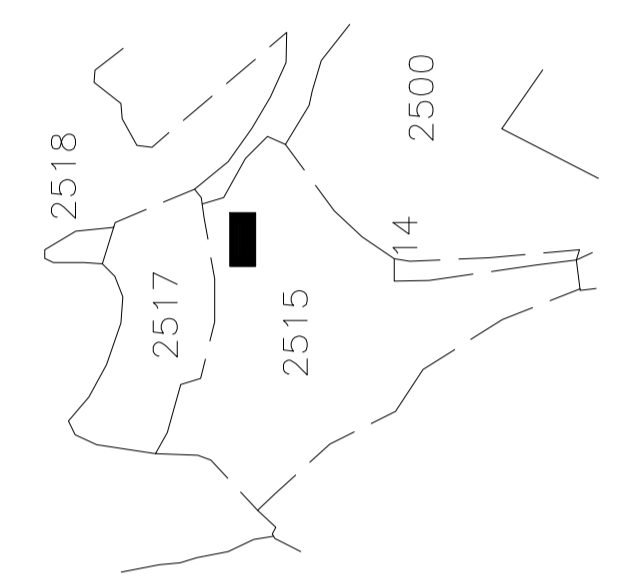
LEFT SIDE ELEVATION
SCALE - 1" = 8'-0"



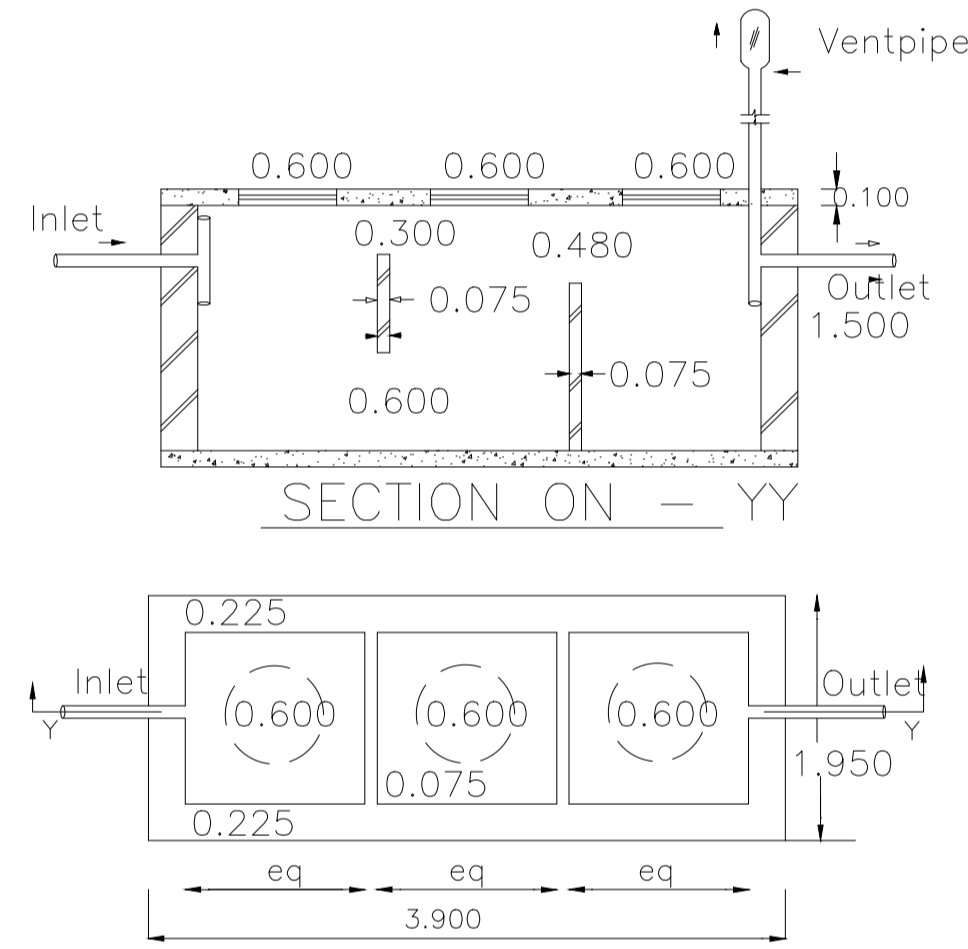
SECTION - XX'
SCALE - 1" = 8'-0"



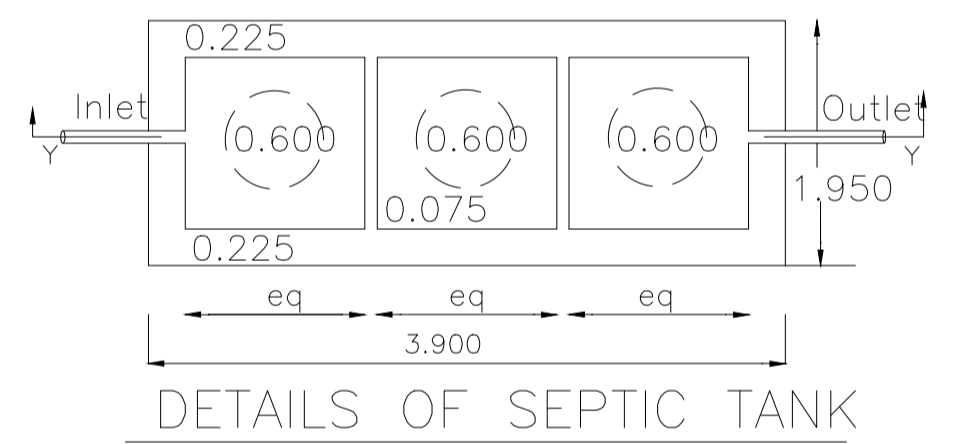
SECTION - YY'
SCALE - 1" = 8'-0"



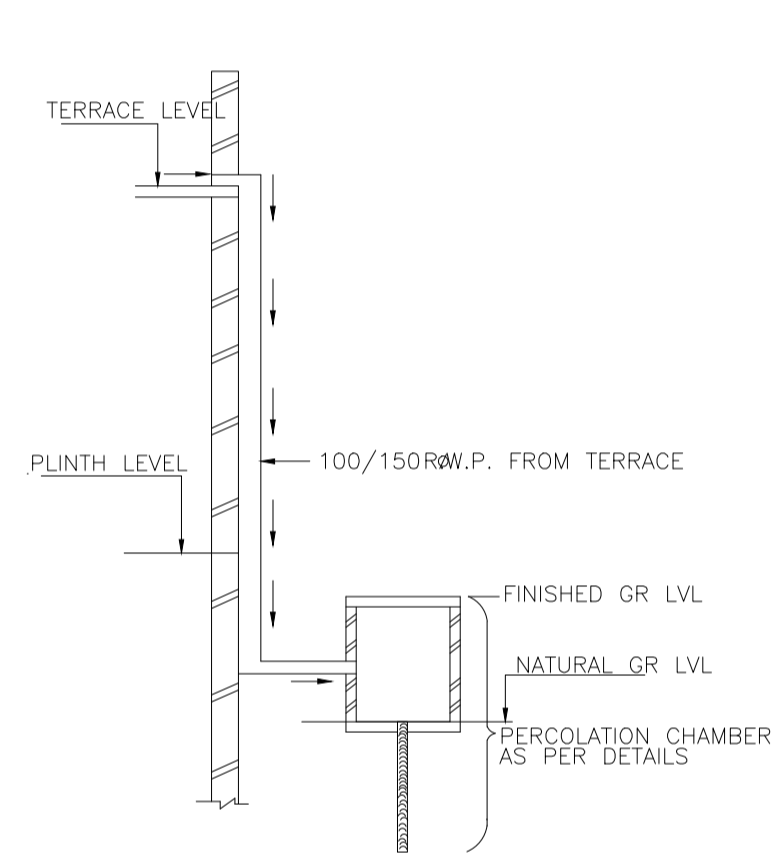
KEY PLAN
Not to scale



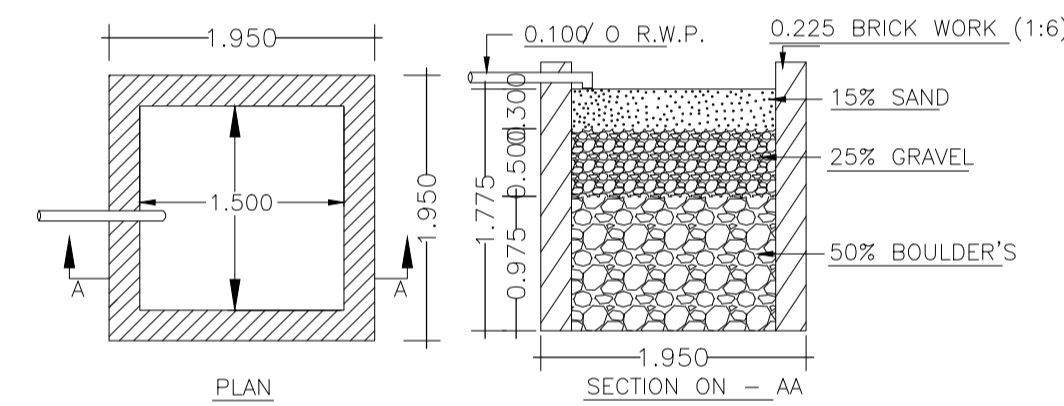
SECTION ON - YY'



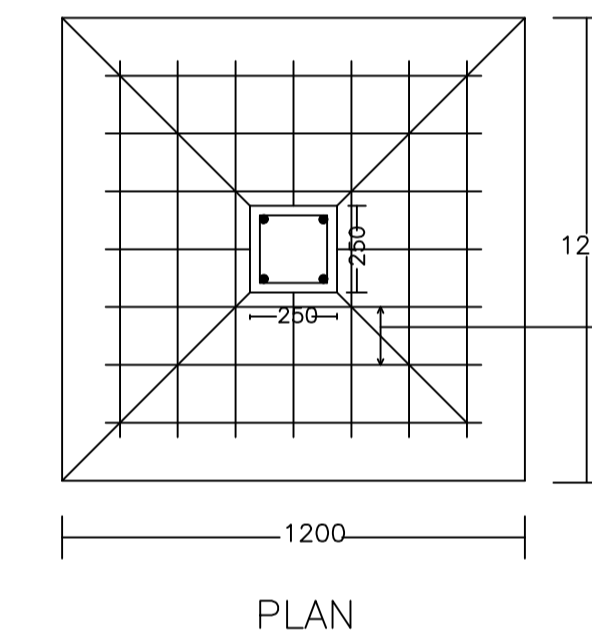
DETAILS OF SEPTIC TANK



ROOF TOP RAIN WATER
COLLECTION SYSTEM

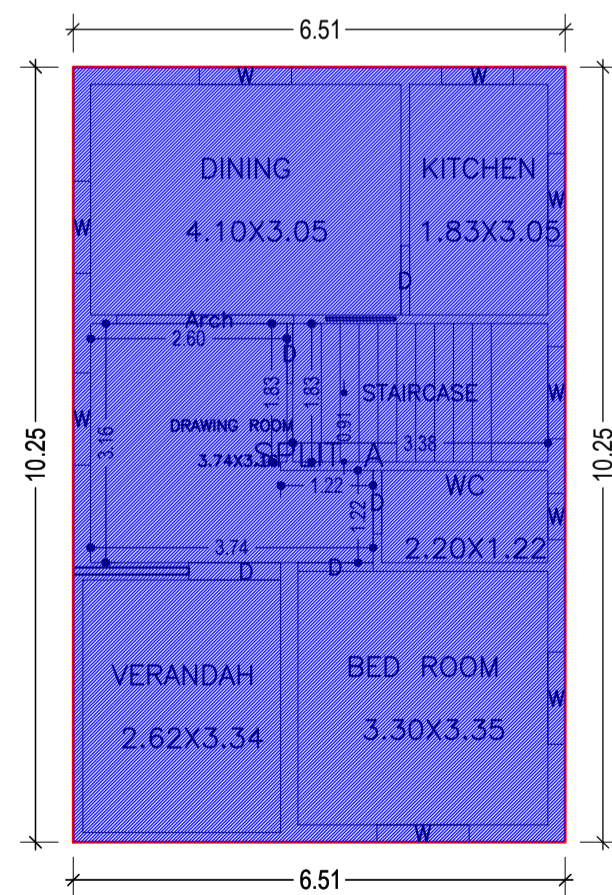
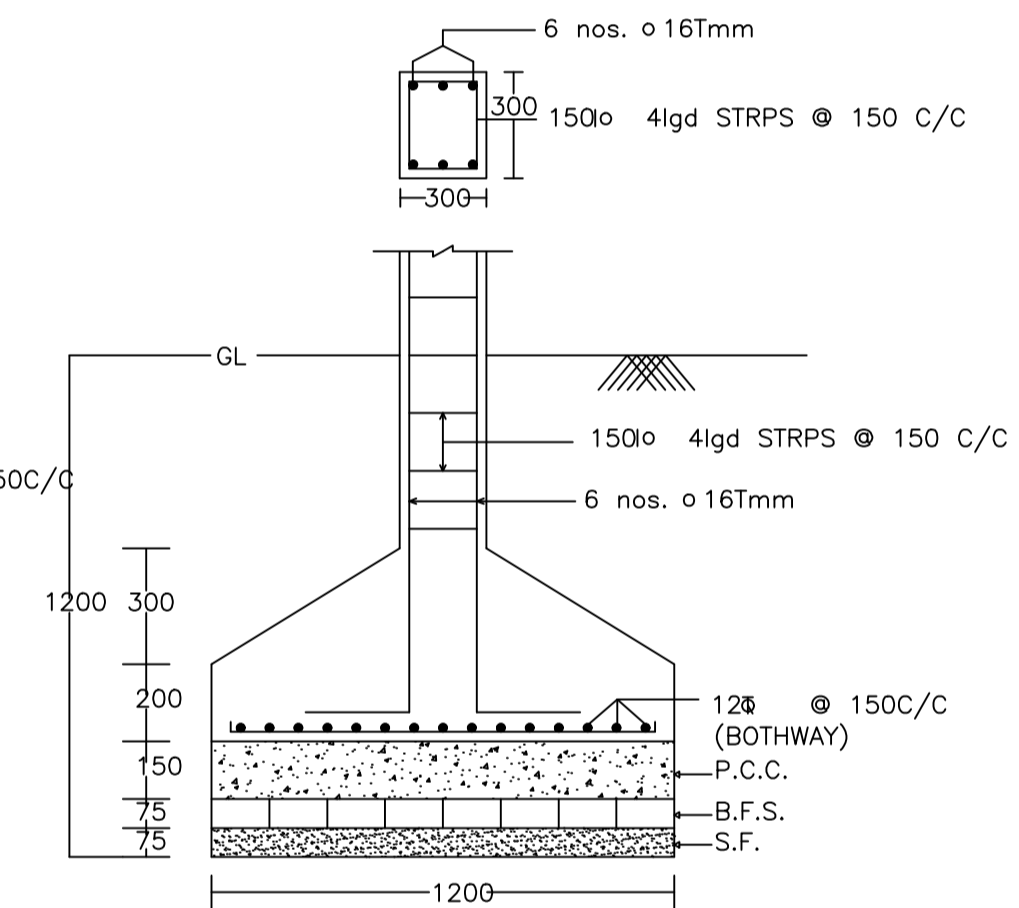


DETAILS OF WATER HARVESTING

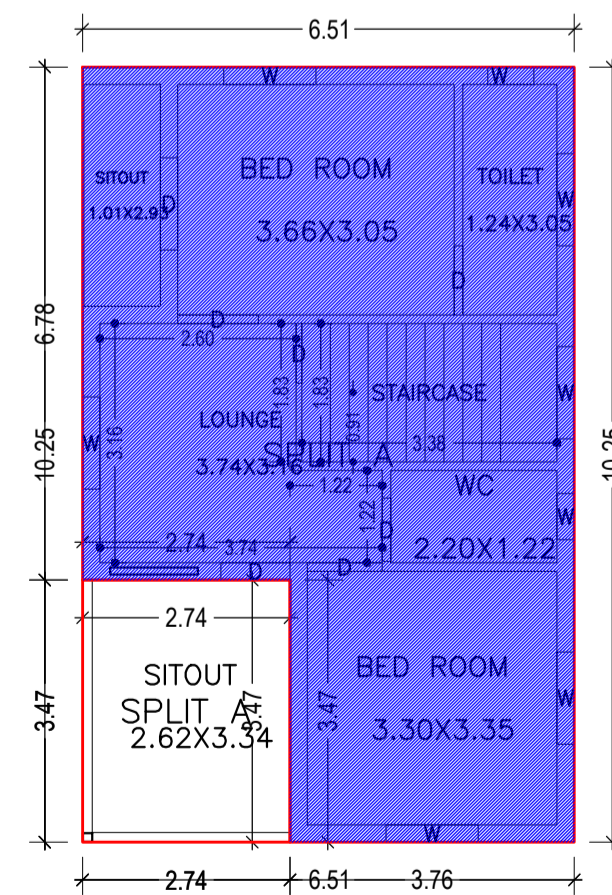


PLAN

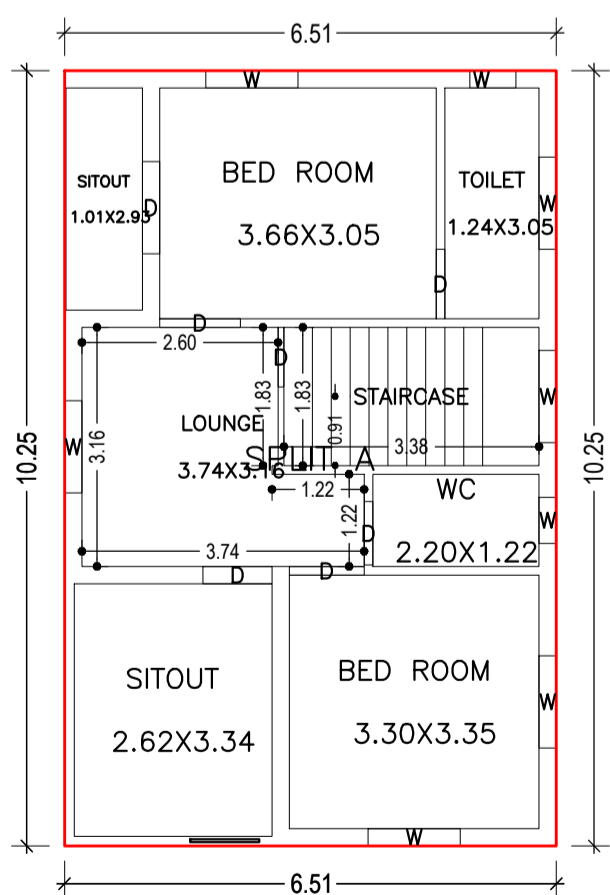
DETAIL OF COLUMNS



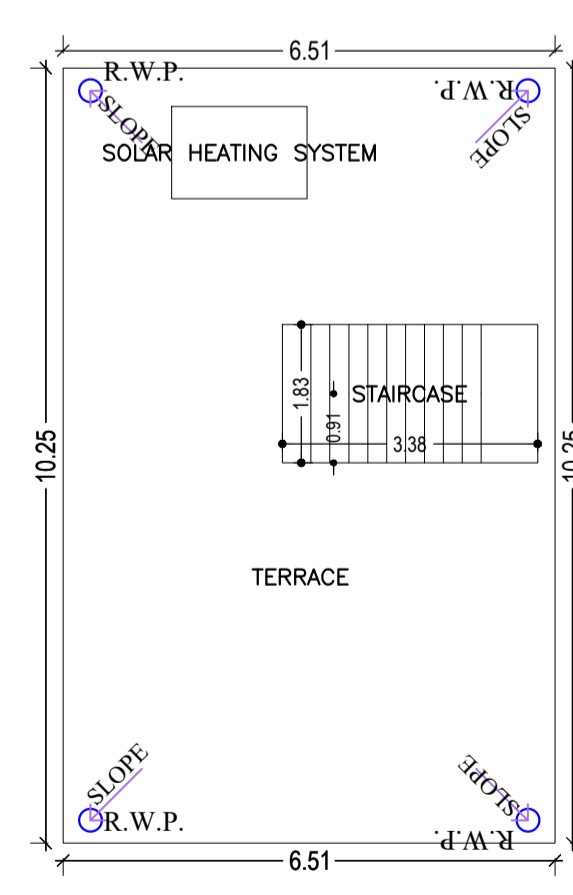
GROUND FLOOR PLAN
(Existing)
(SCALE 1:100)



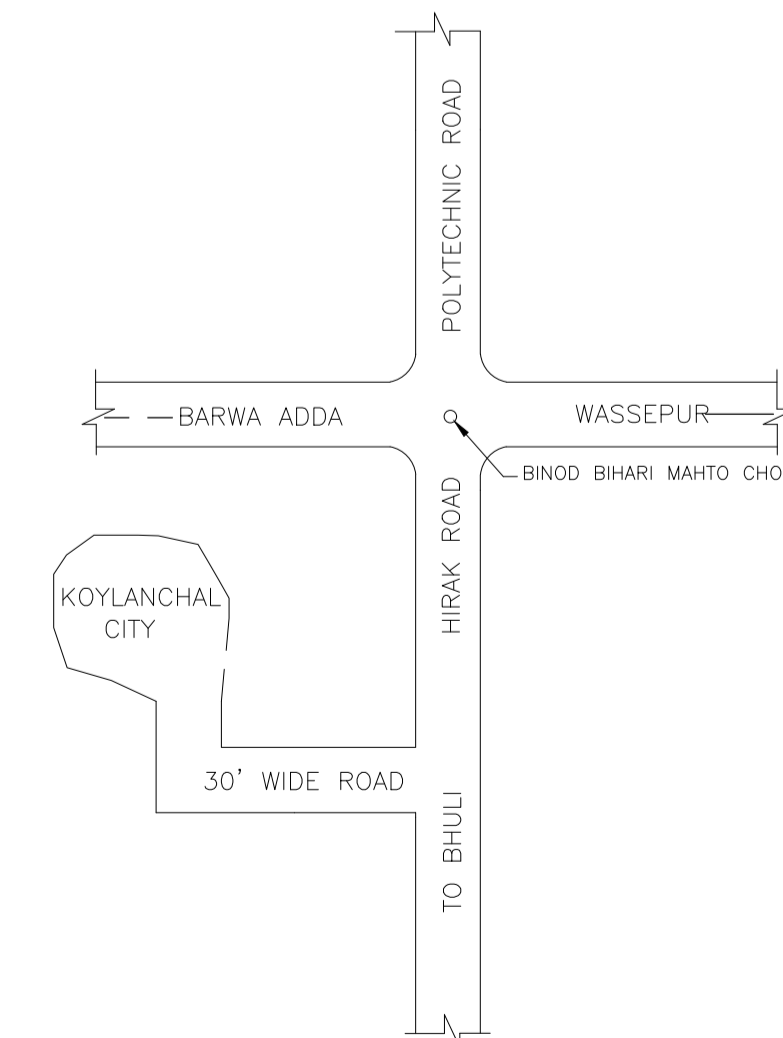
FIRST FLOOR PLAN
(Existing + Proposed)
(SCALE 1:100)



SECOND FLOOR PLAN
(Proposed)
(SCALE 1:100)



TERRACE FLOOR PLAN
(SCALE 1:100)



LOCATION PLAN
NOT TO SCALE

LTP NAME AND SIGNATURE	STRUCTURAL ENG'S NAME AND SIGNATURE	BUILDER NAME AND SIGNATURE	DIGITAL SIGNATURE
RAJEEV RANJAN SINGH MADA/ENG/0004/2019			