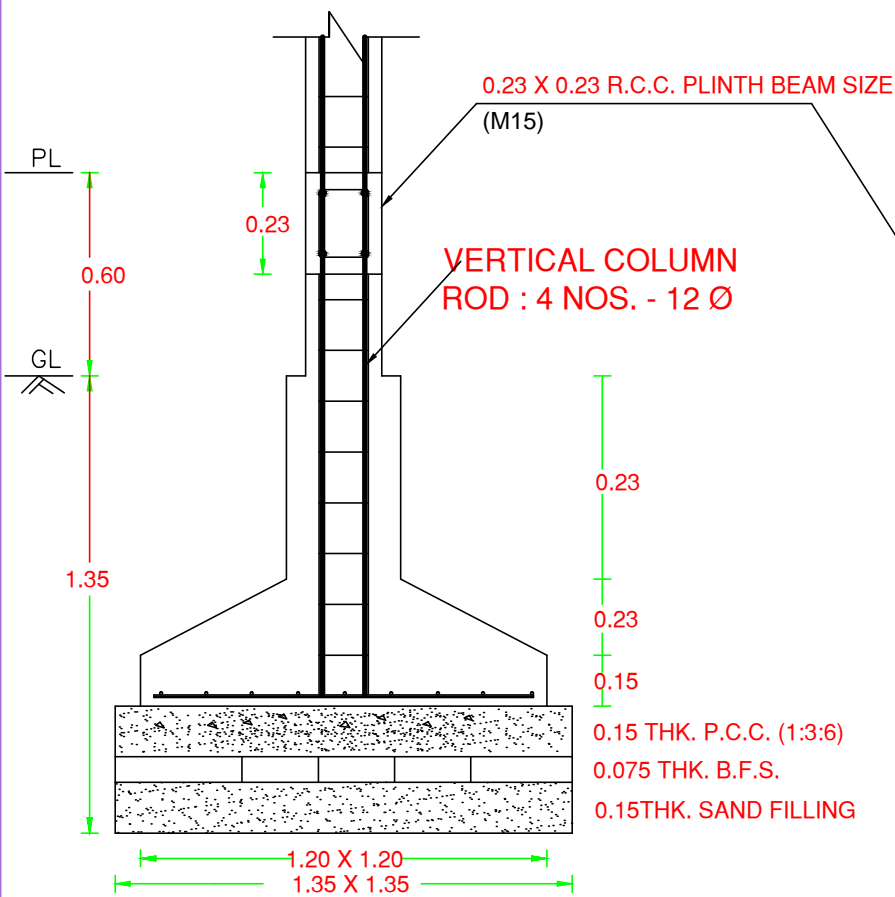
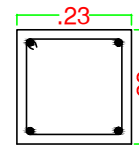


**FOUNDATION PLAN**

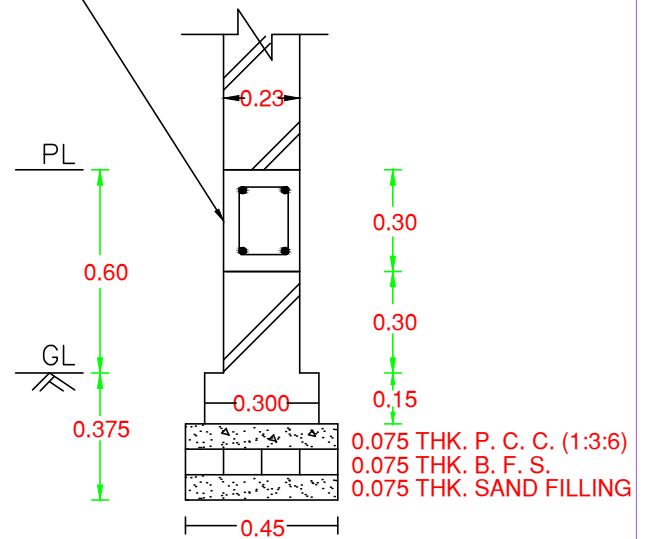


**FOUNDATION DETAILS OF COLUMN**



VERTICAL : 4 NOS. - 12 Ø  
RING : 8Ø @ 0.15 C/C

**DETAILS OF COLUMN**



**FOUNDATION DETAILS OF WALL**