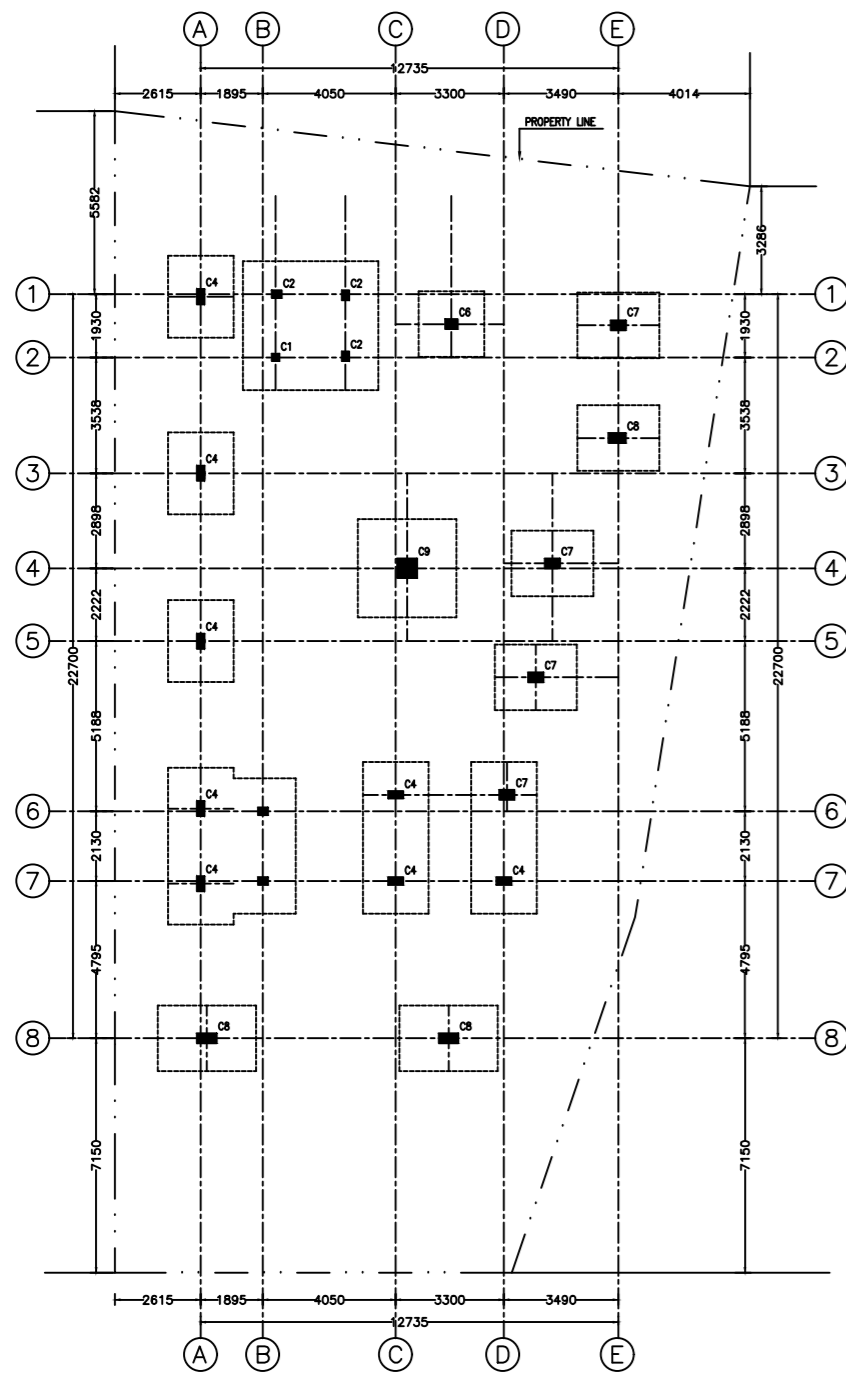
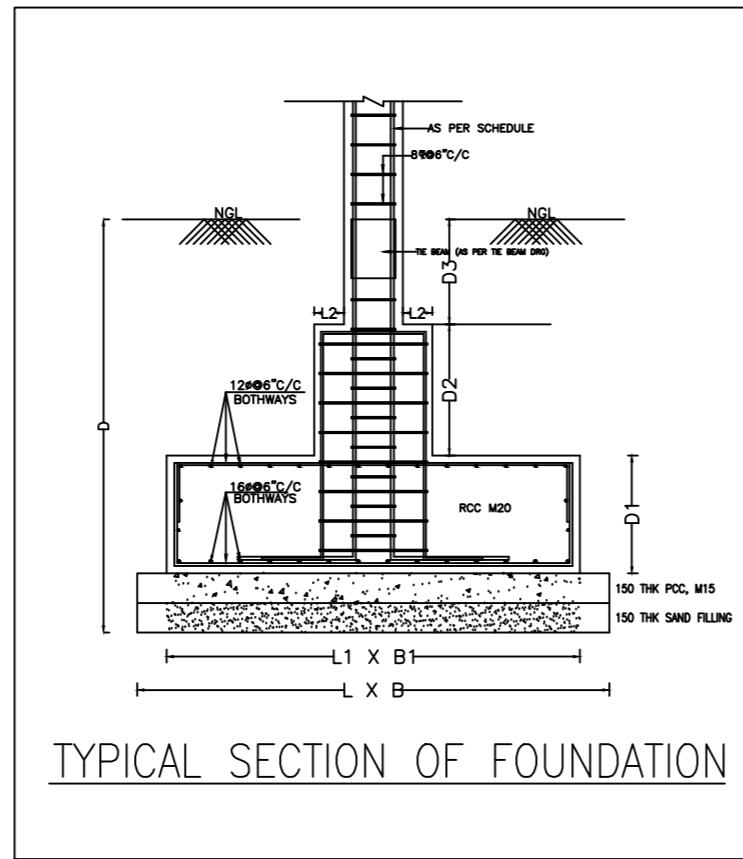


# STRUCTURAL DESIGN SAFETY DETAILS



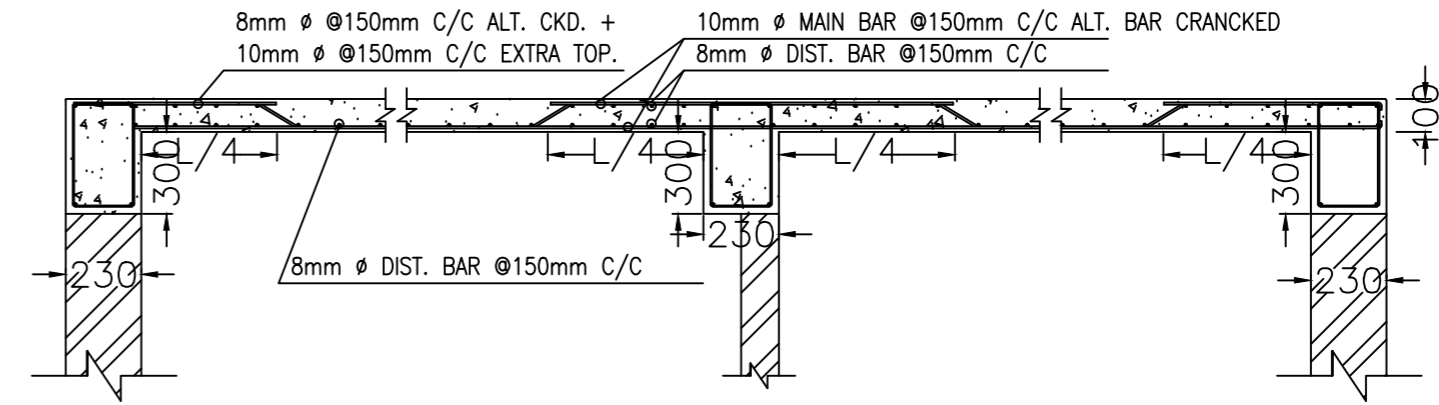
FOUNDATION PLAN



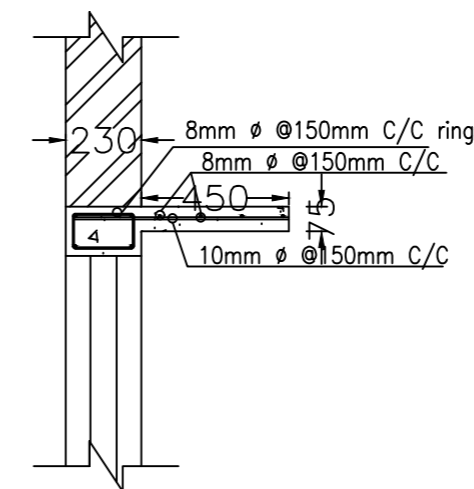
TYPICAL SECTION OF FOUNDATION

Sl. No.	ITEMS	SYM	SIZE	FOUNDATION EXCAVATION SIZE L X B X D	SECTION	REINFORCEMENT			RCC FOUNDATION			REMARKS
						VERTICAL	RING	COVER	L1	B1	D1	
1.	COLUMN	C1	230X230	1700X1700X2000		4NOS-16#	8#0#C/C	40	1500X1500X300	600	800	RCC MIX: M20
2.	COLUMN	C2	230X300	1700X1700X2000		6NOS-16#	8#0#C/C	40	1500X1500X300	600	800	RCC MIX: M20
3.	COLUMN	C3	230X380	1700X2000X2000		8NOS-16#	8#0#C/C (2 SETS)	40	1500X1800X300	600	800	RCC MIX: M20
4.	COLUMN	C4	230X380	2000X2300X2000		4NOS-20# 6NOS-16#	8#0#C/C (2 SETS)	40	1800X2100X300	600	800	RCC MIX: M20
5.	COLUMN	C5	300X300	1800X1800X2000		8NOS-16#	8#0#C/C (2 SETS)	40	1600X1600X300	600	800	RCC MIX: M20
6.	COLUMN	C6	300X380	1800X1800X2000		10NOS-16#	8#0#C/C (3 SETS)	40	1600X1600X300	600	800	RCC MIX: M20
7.	COLUMN	C7	300X460	1800X2000X2000		4NOS-16# 6NOS-20#	8#0#C/C (2 SETS)	40	1600X1800X300	600	800	RCC MIX: M20
8.	COLUMN	C8	300X600	2000X2400X2000		10NOS-20# 2NOS-16#	8#0#C/C (2 SETS) (1 LINC)	40	1800X2200X450	600	650	RCC MIX: M20
9.	COLUMN	C9	300X600	2000X2400X2000		4NOS-25# 12NOS-20#	8#0#C/C (3 SETS) (2 LINC)	40	3000X3000X450	600	650	RCC MIX: M20

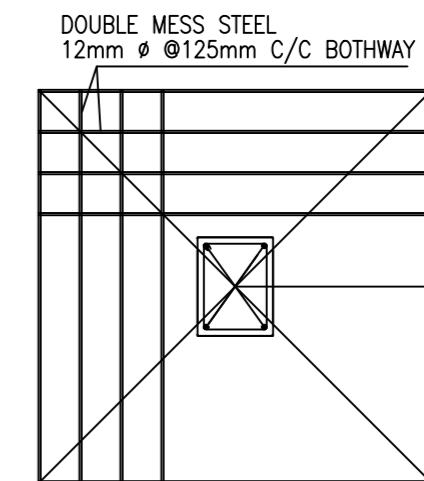
SCHEDULE OF COLUMN & FOUNDATION



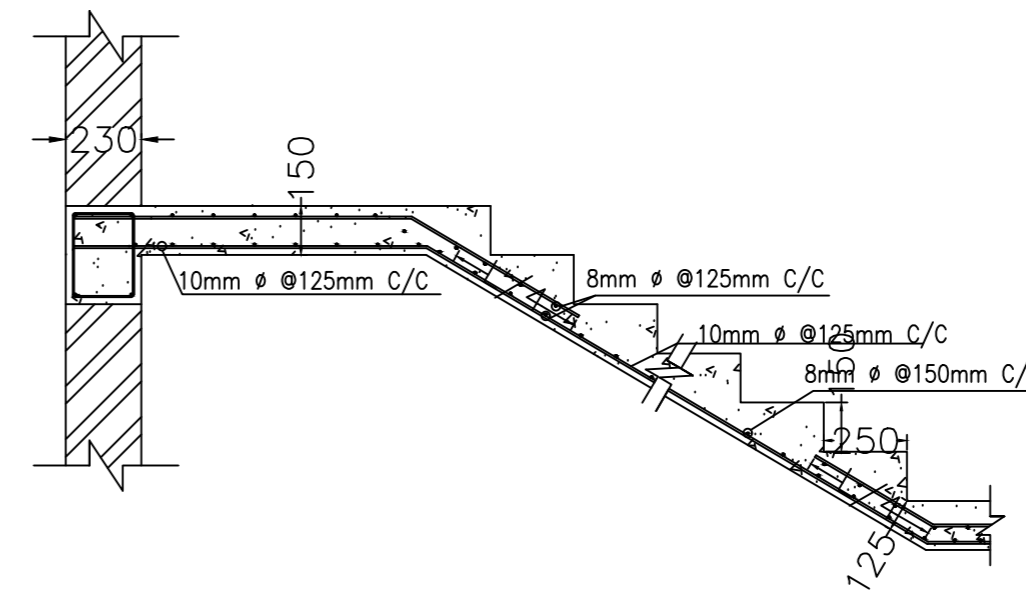
TYPICAL DETAIL OF RCC ROOF SLAB



DET. OF R.C.C. CHAJJA



VERTICAL : AS PER COLUMN TABLE  
RING : 8# @ 6" C/C  
1/2/3 SETS AS REQD.



TYPICAL DETAIL OF RCC STAIR

DRAWING OF PROPOSED COMMERCIAL BUILDING (HOTEL & RESTAURANT) OF 1. SMT. RINKI RAJGARIA, W/O SRI VIKASH KUMAR RAJGARIA, 2. SRI SHAMBHU GOYAL S/O SRI RAMAVTAR GOYAL THROUGH ITS POWER OF ATTORNEY 1. SRI VIVEK KUMAR RAJGARIA, S/O SRI NANDLAL RAJGARIA AND 2. SRI RUPESH KUMAR BANSAL S/O SRI RADHEY SHYAM BANSAL (REPRESENTS SVR GROUP OF HOTELS) UNDER MOUZA KURMIDIH, MOUZA NO.87 UNDER KHATA NO. 12 (OLD) 140 (NEW), PLOT NO. 1893 (OLD) 2159 (NEW) UNDER P.S. BARWADDA, DIST. DHANBAD IN THE STATE OF JHARKHAND