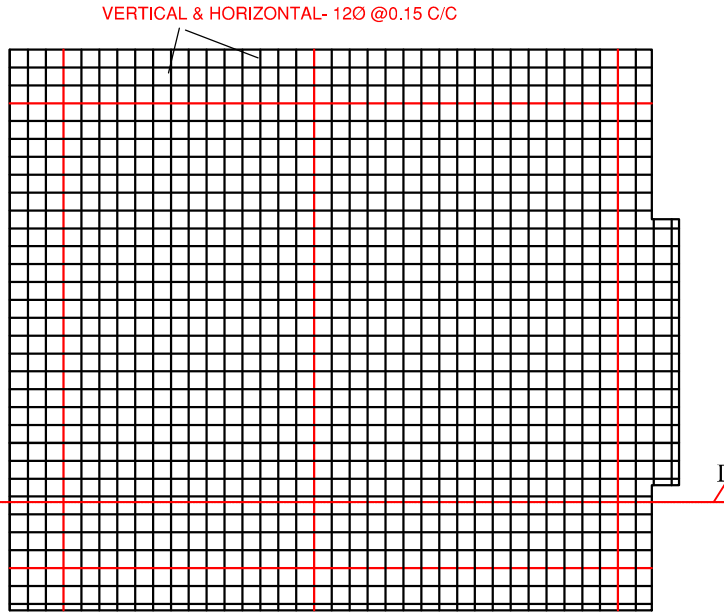


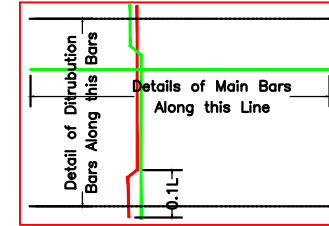
FOUNDATION PLAN

VERTICAL :
4 NOS. - 120
RING : 8Ø @
0.15 C/C

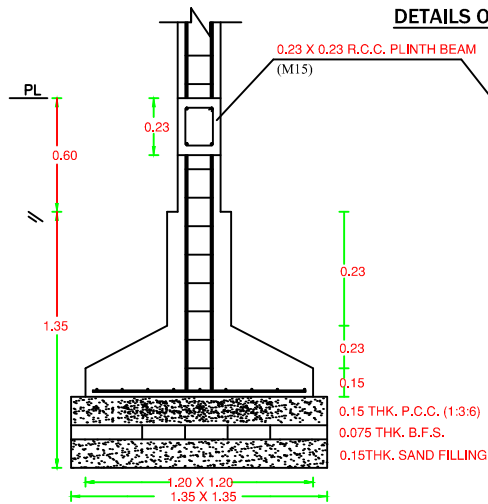
DETAILS OF COLUMN & BEAM



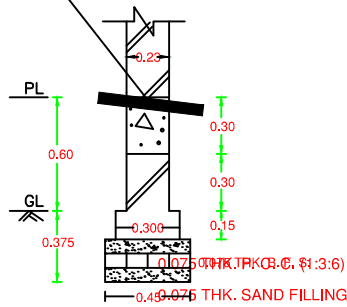
BOTTOM REINFORCEMENT PLAN



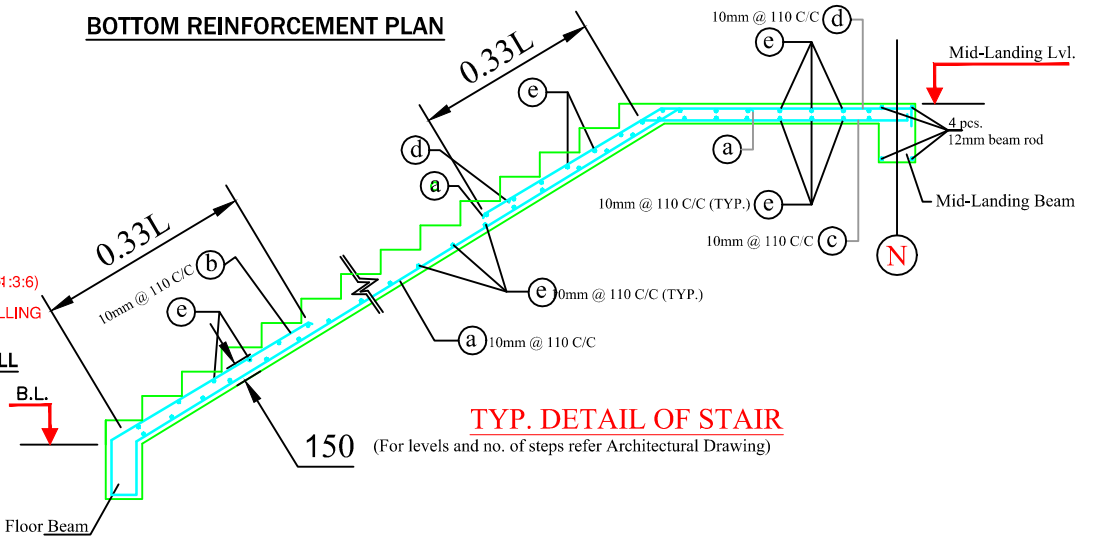
SECTION - D-D



FOUNDATION DETAILS OF COLUMN



FOUNDATION DETAILS OF WALL



TYP. DETAIL OF STAIR

(For levels and no. of steps refer Architectural Drawing)

Structure Detail