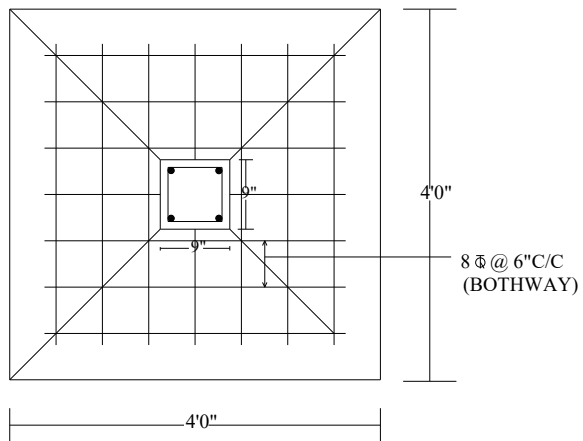
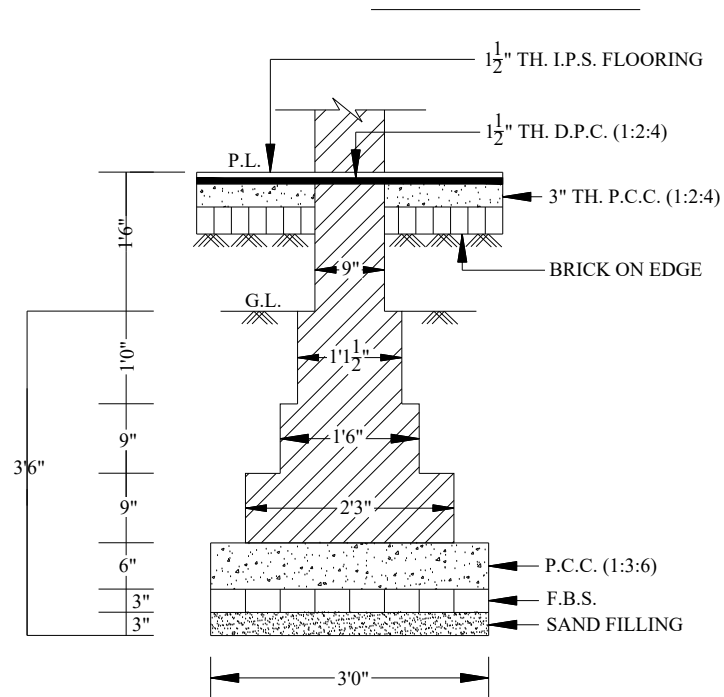


SECTION

**DETAIL OF COLUMNS**



PLAN



**-:DETAIL OF BRICK FOUNDATION:-**

SCALE:- 1" = 2'- 0"