

Proposal Basic Information

Proposal File No.	MADA/BP/0085/2020
Owner Name	SRI. OMKAR SINGH
Khata No	OLD KHATA-NO-35, NEW KHATA NO-117
Plot No	OLD PLOT NO. 2524, NEW PLOT NO. 4027
Village Name	Bara Pichari
Use	Residential
SubUse	Bungalow/ Dwelling / Non Apartment

AREA STATEMENT MINERAL AREA DEVELOPMENT AUTHORITY	VERSION NO.: 1.0.51 VERSION DATE: 16/10/2020
PROJECT DETAIL:	
Region: JHARKHAND URBAN LOCAL BODIES	Plot Use: Residential
District: DHANBAD	Plot SubUse: Bungalow/ Dwelling / Non Apartment
Authority: MINERAL AREA DEVELOPMENT AUTHORITY	PlotNearby/ReligiousStructure: NA
Inward_No: MADA/BP/0085/2020	Plot/SubPlot No: OLD PLOT NO. 2524, NEW PLOT NO. 4027
Application Type: General Proposal	North: Road Width - SAME PLOT
Project Type: Building Permission	South: Plot No. - SAME PLOT
Nature of Development: New	East: Plot No. - SAME PLOT
Location of Development Area: Old Area	West: Road Width - 6.1
AREA DETAILS:	
AREA OF PLOT (Minimum)	(A) 138.85 SQ.MT.
NET AREA OF PLOT(Gross Plot Area - Deduction from Gross Plot Area)	(A-Deductions) 138.85
Deduction for Balance Plot Area(from Gross Plot Area)	
Common Plot	23.63
Total	23.63
BALANCE AREA OF PLOT(Net Plot Area - Recreational/Amenity space)	(A-Deductions) 115.22
PLOT AREA FOR COVERAGE(Net Plot Area)	(A-Deductions) 138.85
Plot Area for FAR (Net Plot Area + Road/Widening Area)	(A-Deductions) 138.85
COVERAGE CHECK	
Permissible Coverage area (70.00 %)	97.19
Proposed Coverage Area (58.83 %)	81.68
Total Prop. Coverage Area (58.83 %)	81.68
Balance coverage area (11.17 %)	15.51
FAR CHECK	
Perm. FAR Area (2.50)	347.13
Total Perm. FAR area	347.13
Residential FAR	163.36
Proposed FAR Area	163.36
Total Proposed FAR Area	163.36
Consumed FAR (Factor)	1.18
Balance FAR Area	183.77
BUILT UP AREA CHECK	
Total Proposed BuiltUp Area	163.36
ARCHITECT (Regd)	RAM PRATAP SINGH
ENGINEER (Regd)	
SUPERVISOR (Regd)	
OWNER (Regd)	SRI OMKAR SINGH
DEVELOPMENT AUTHORITY LOCAL BODY	

COLOR INDEX	
PLOT BOUNDARY	Black
ABUTTING ROAD	Green
PROPOSED CONSTRUCTION	Red
COMMON PLOT	Yellow
ROAD WIDENING AREA	Blue
EXISTING (To be retained)	Light Blue
EXISTING (To be demolished)	Dark Blue

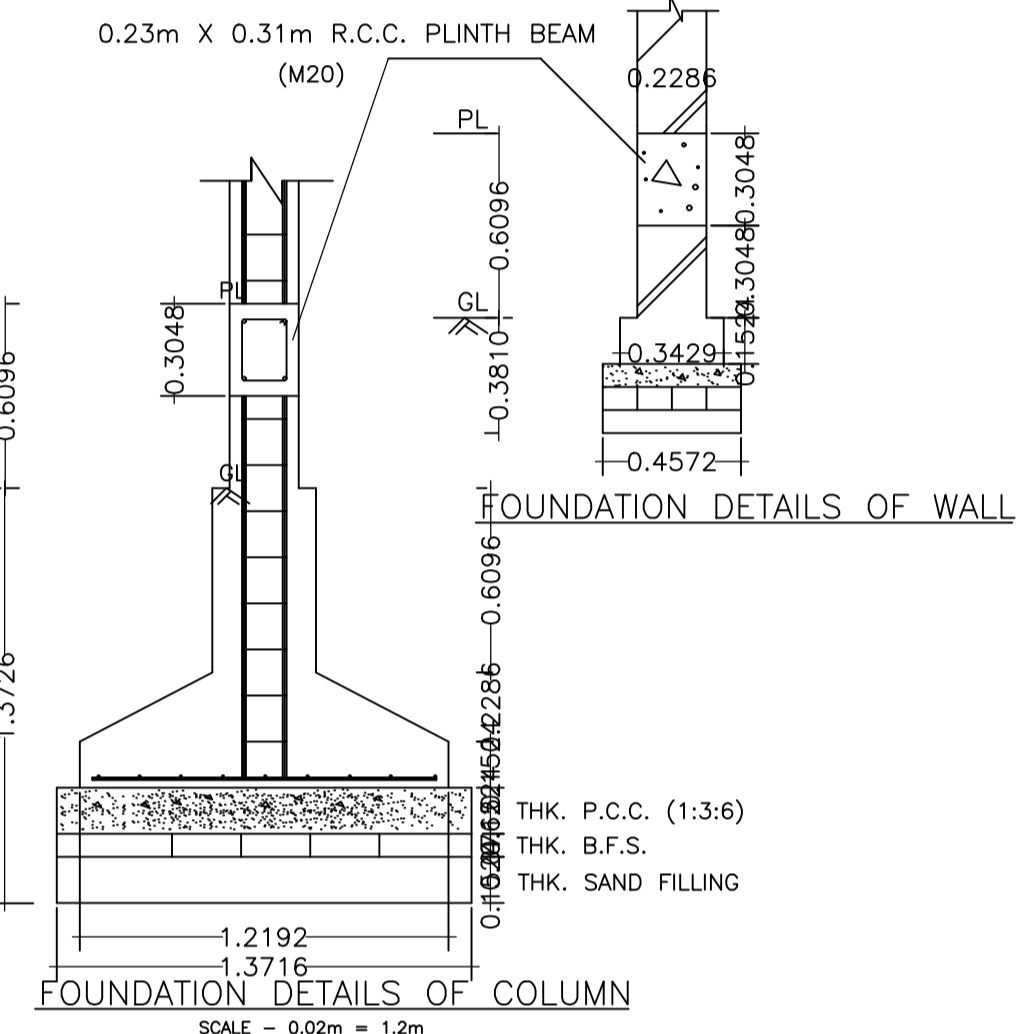
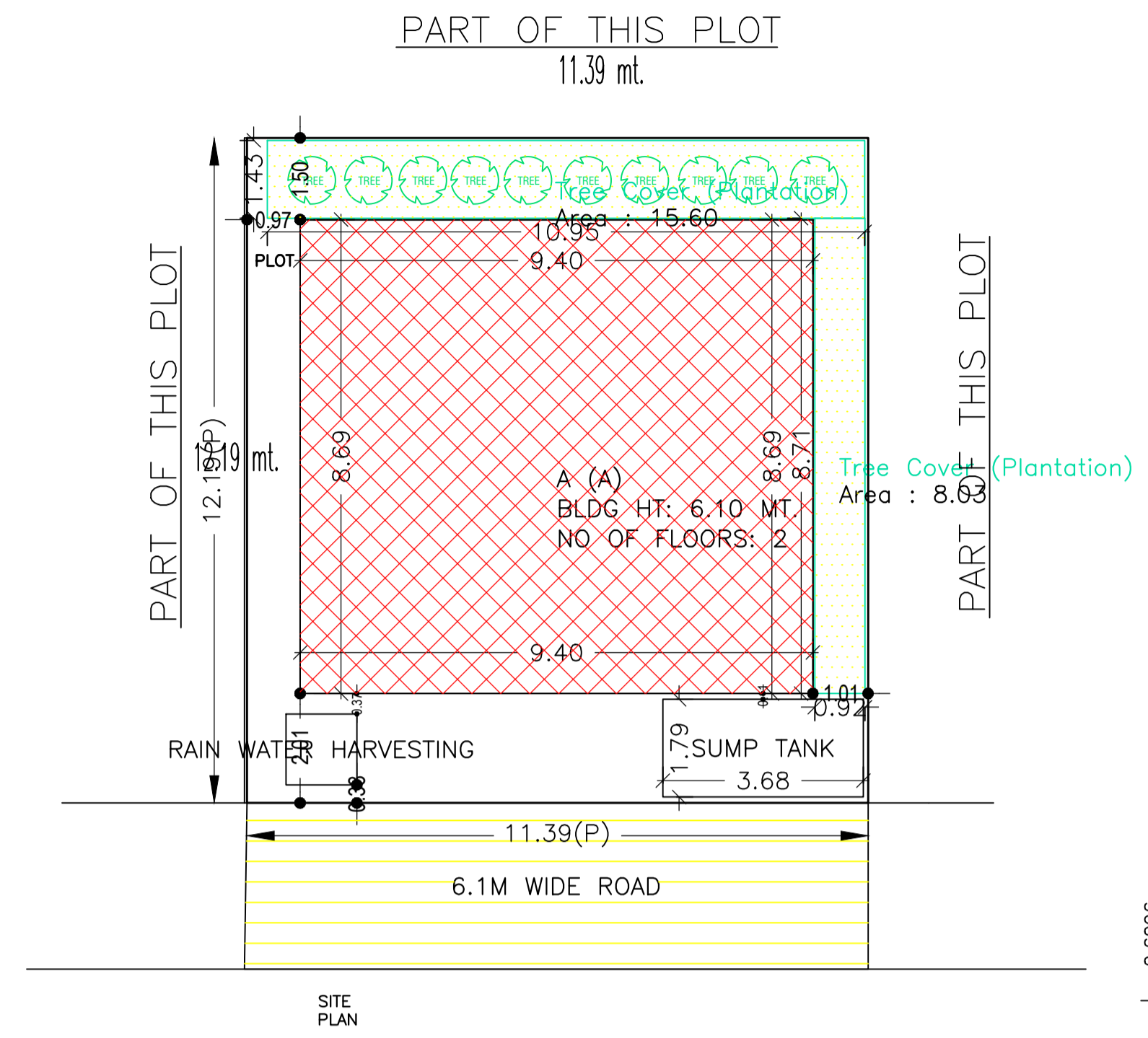
Floor Name	Building Name A (A)		Total	
	Proposed Built Up Area (Sq.mt.)	Proposed FAR Area (Sq.mt.)	Total Proposed Built Up Area (Sq.mt.)	Total FAR Area (Sq.mt.)
Ground Floor	81.68	81.68	81.68	81.68
First Floor	81.68	81.68	81.68	81.68
Terrace Floor	0.00	0.00	0.00	0.00
Total :	163.36	163.36	163.36	163.36

Building USE/SUBUSE Details			
Building Name	Building Use	Building SubUse	Building Structure
A (A)	Residential	Residential Bldg/Apartment	Non-Highrise

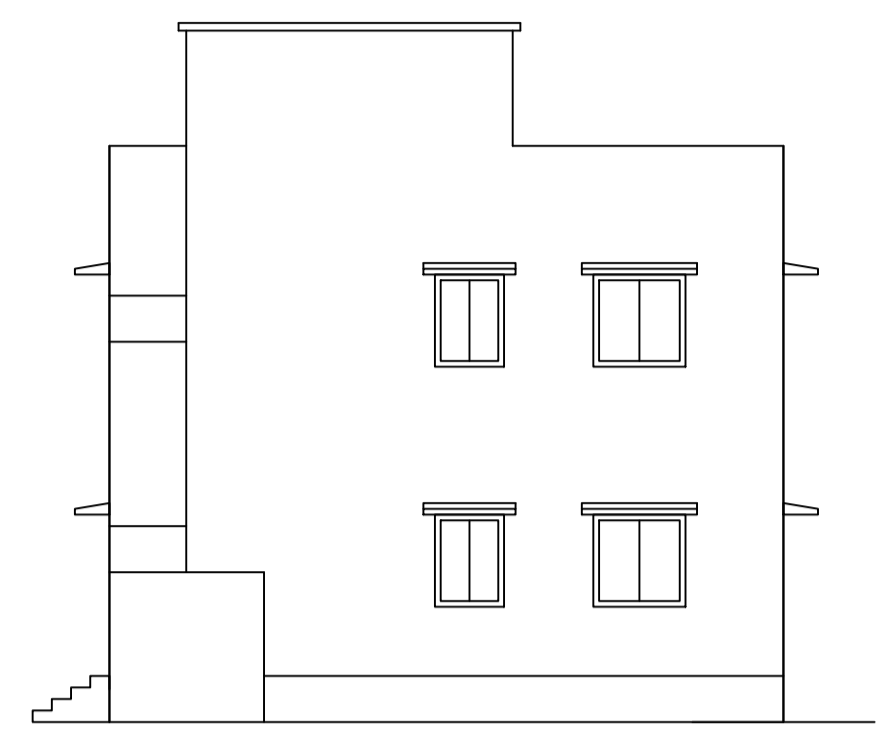
FAR & Tenement Details (Table 4c-1)						
Building	No. of Same Bldg	Total Built Up Area (Sq.mt.)	Proposed FAR Area (Sq.mt.) Resi.	Total FAR Area (Sq.mt.)	Total Consumed Additional FAR Area (Sq.mt.)	Tnmt (No.)
A (A)	1	163.36	163.36	163.36	163.36	01
Grand Total :	1	163.36	163.36	163.36	163.36	01

UnitBUA Table for Building :A (A)						
FLOOR	Name	UnitBUA Type	UnitBUA Area	Carpet Area	No. of Rooms	No. of Tenement
GROUND FLOOR PLAN	SPLIT 1	FLAT	163.36	163.33	6	1
FIRST FLOOR PLAN	SPLIT 1	FLAT	0.00	0.00	6	0
Total:	-	-	163.36	163.33	12	1

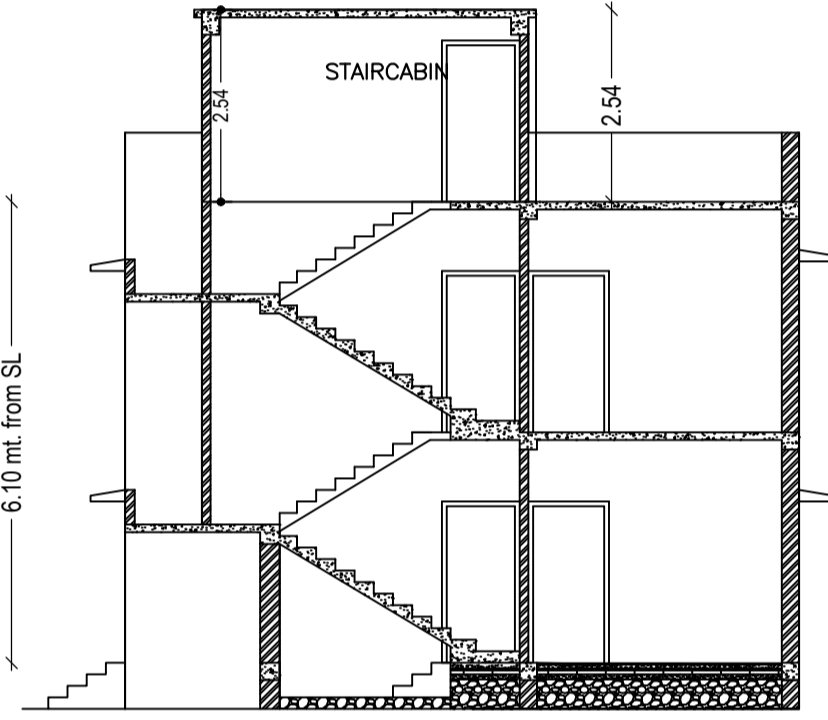
LTP NAME AND SIGNATURE	STRUCTURAL ENG'S NAME AND SIGNATURE	BUILDER NAME AND SIGNATURE	DIGITAL SIGNATURE
RAM PRATAP SINGH MADA/ARC/0024/2019			



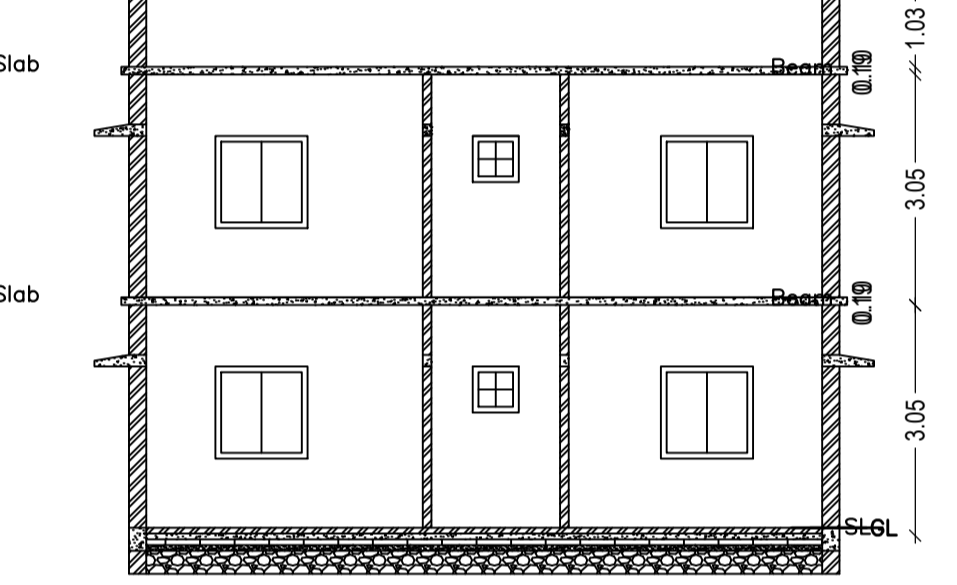
FRONT ELEVATION



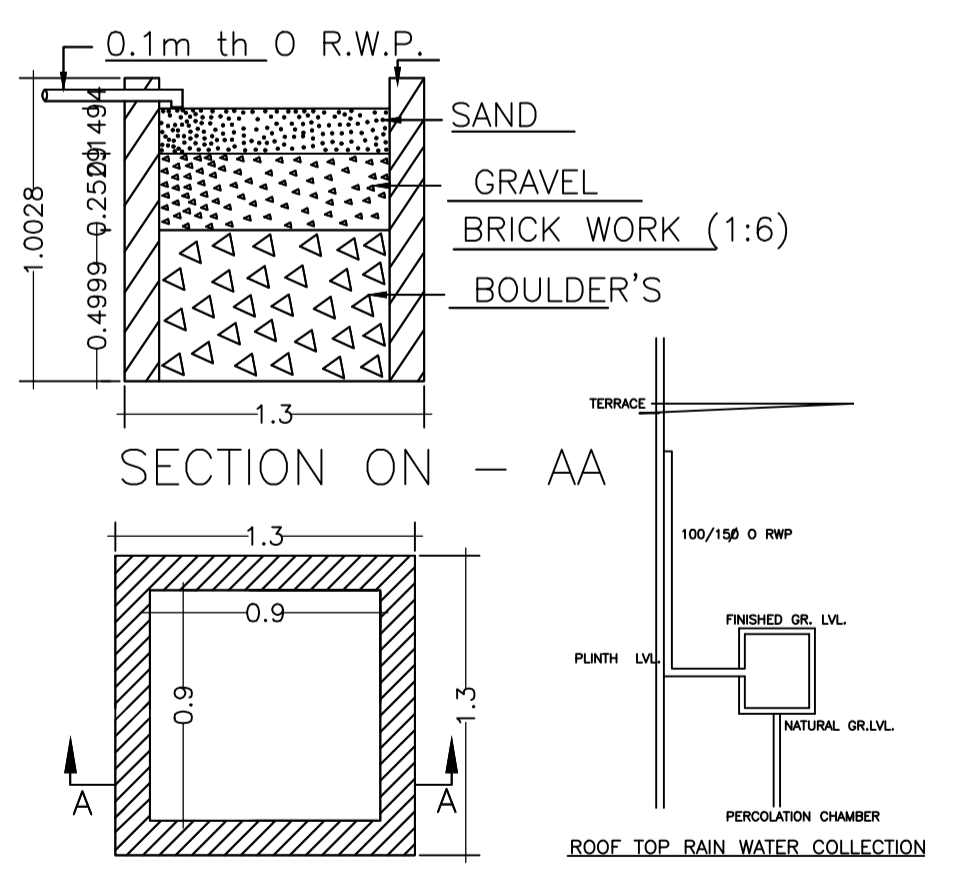
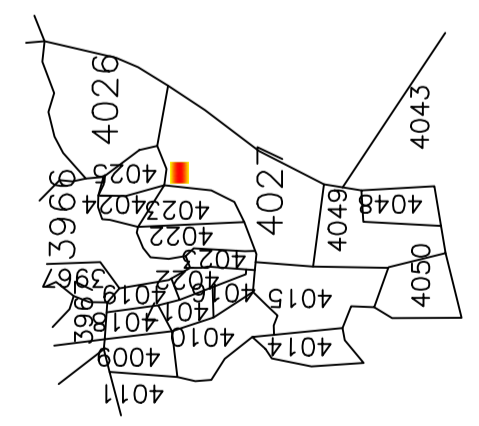
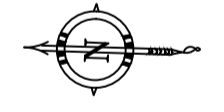
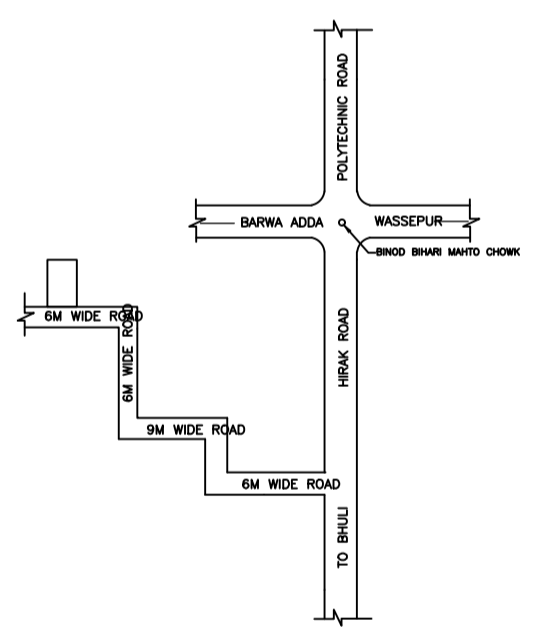
RIGHT ELEVATION



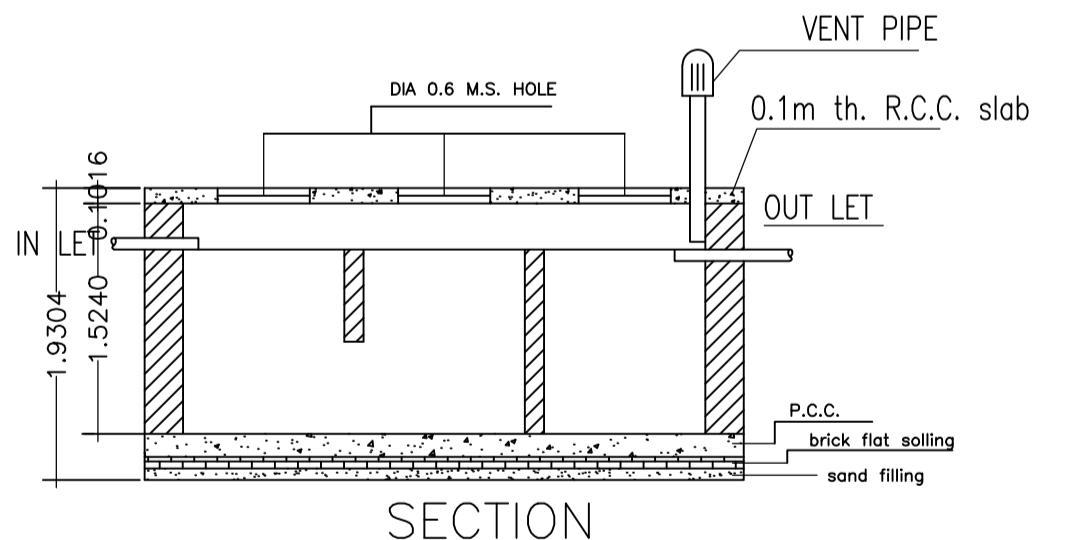
SECTION ON X-X



SECTION - YY'



DETAIL'S OF WATER HARVESTING



DETAILS OF SEPTIC TANK

SCHEDULE OF DOOR:

BUILDING NAME	NAME	LENGTH	HEIGHT	NOS
A (A)	D	0.90	2.10	10

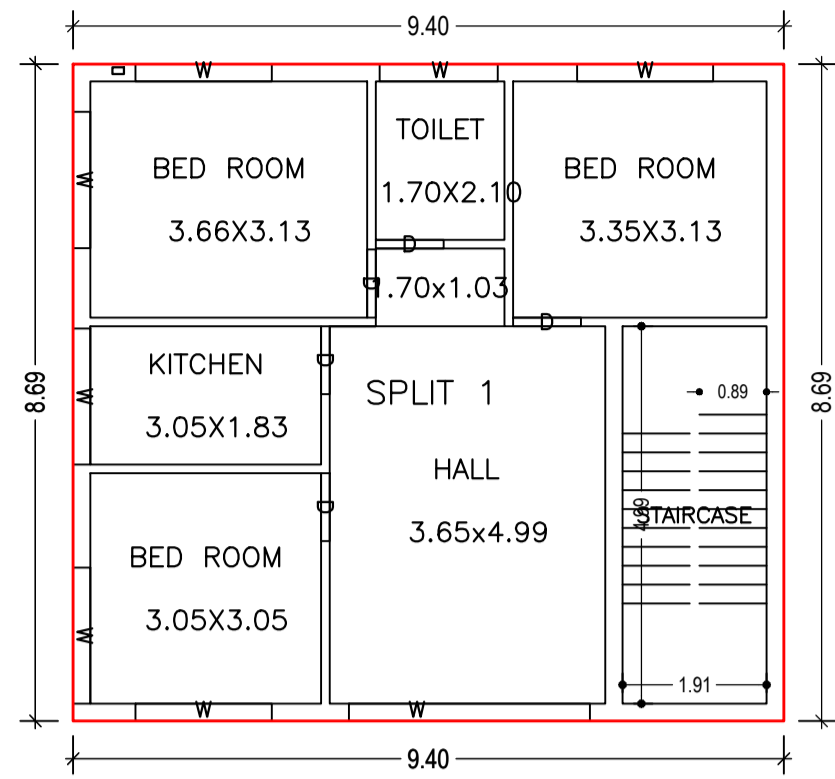
SCHEDULE OF WINDOW/VENTILATION:

BUILDING NAME	NAME	LENGTH	HEIGHT	NOS
A (A)	W	1.56	1.20	02
A (A)	W	1.80	1.20	12
A (A)	W	3.19	1.20	02

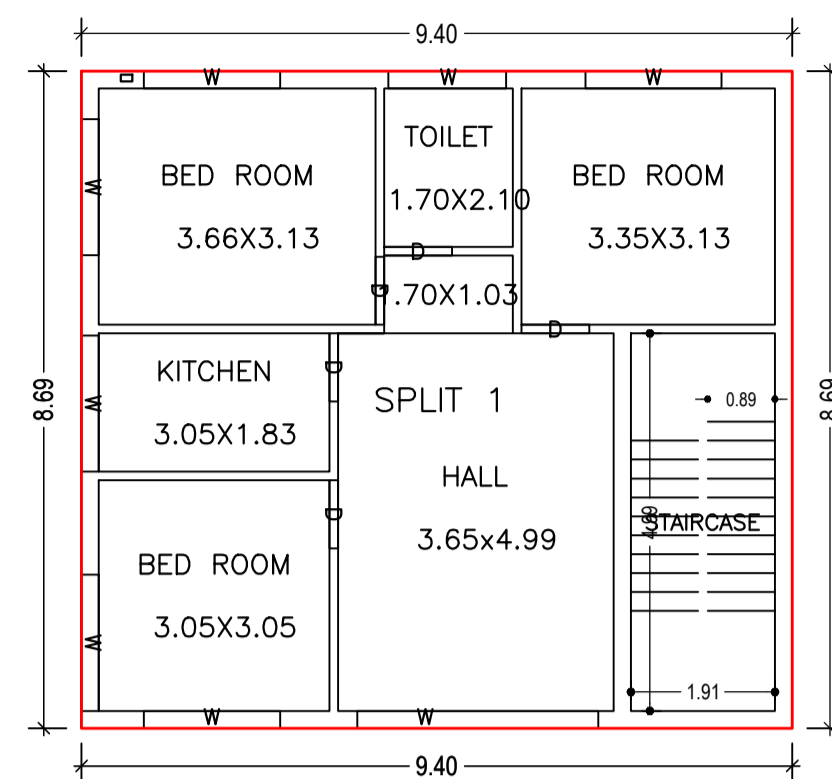
Building :A (A)

Floor Name	Total Built Up Area (Sq.mt.)	Proposed FAR Area (Sq.mt.) Resi.	Total FAR Area (Sq.mt.)	Total Consumed Additional FAR Area (Sq.mt.)	Tnmt (No.)
Ground Floor	81.68	81.68	81.68	81.68	01
First Floor	81.68	81.68	81.68	81.68	00
Terrace Floor	0.00	0.00	0.00	0.00	00
Total :	163.36	163.36	163.36	163.36	01
Total Number of Same Buildings :	1				
Total :	163.36	163.36	163.36	163.36	01

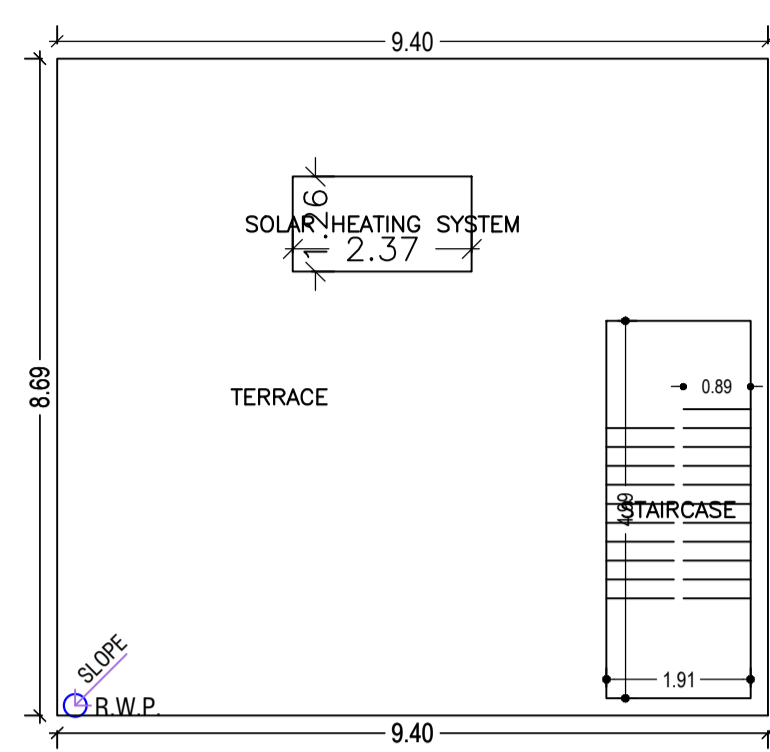
Proposal Basic Information	
Proposal File No.	MADA/BP/0085/2020
Owner Name	SRI. OMKAR SINGH
Khata No	OLD KHATA-NO-35, NEW KHATA NO-117
Plot No	OLD PLOT NO. 2524, NEW PLOT NO. 4027
Village Name	Bara Pichari
Use	Residential
SubUse	Bungalow/ Dwelling / Non Apartment



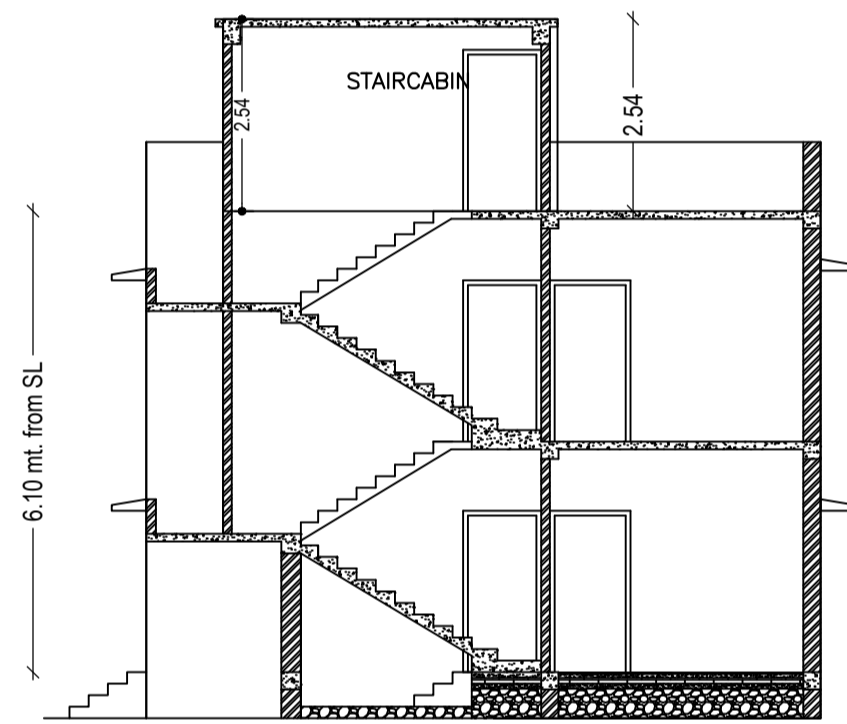
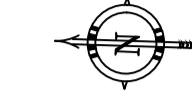
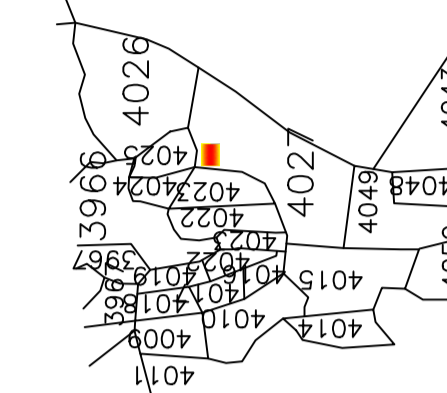
GROUND FLOOR PLAN
(Proposed)
(SCALE 1:100)



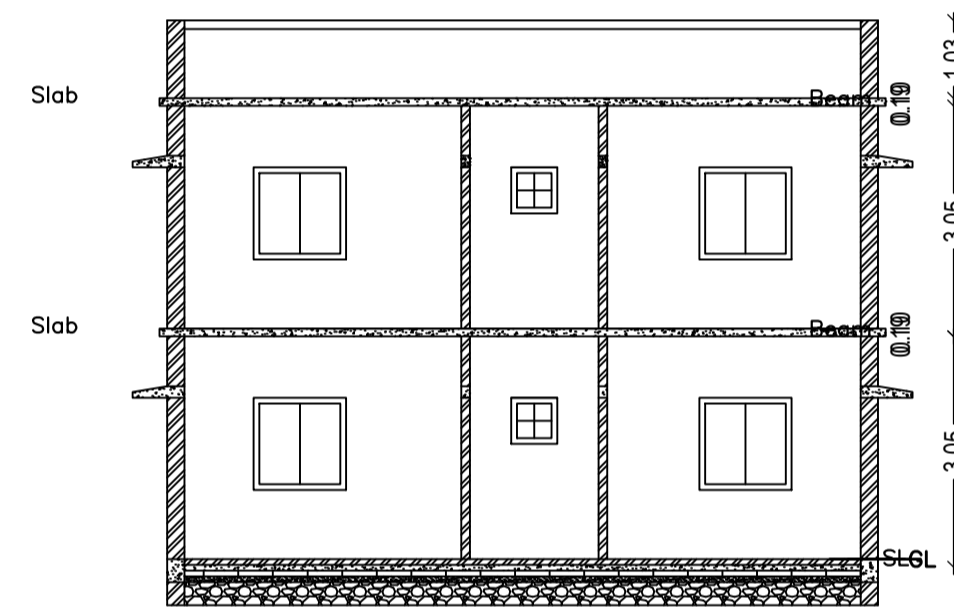
FIRST FLOOR PLAN
(Proposed)
(SCALE 1:100)



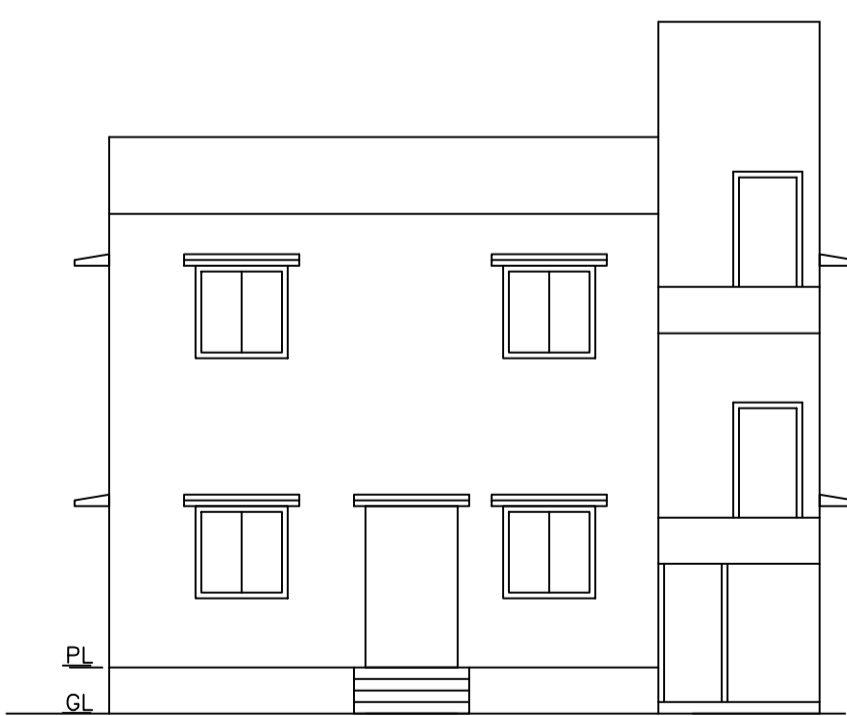
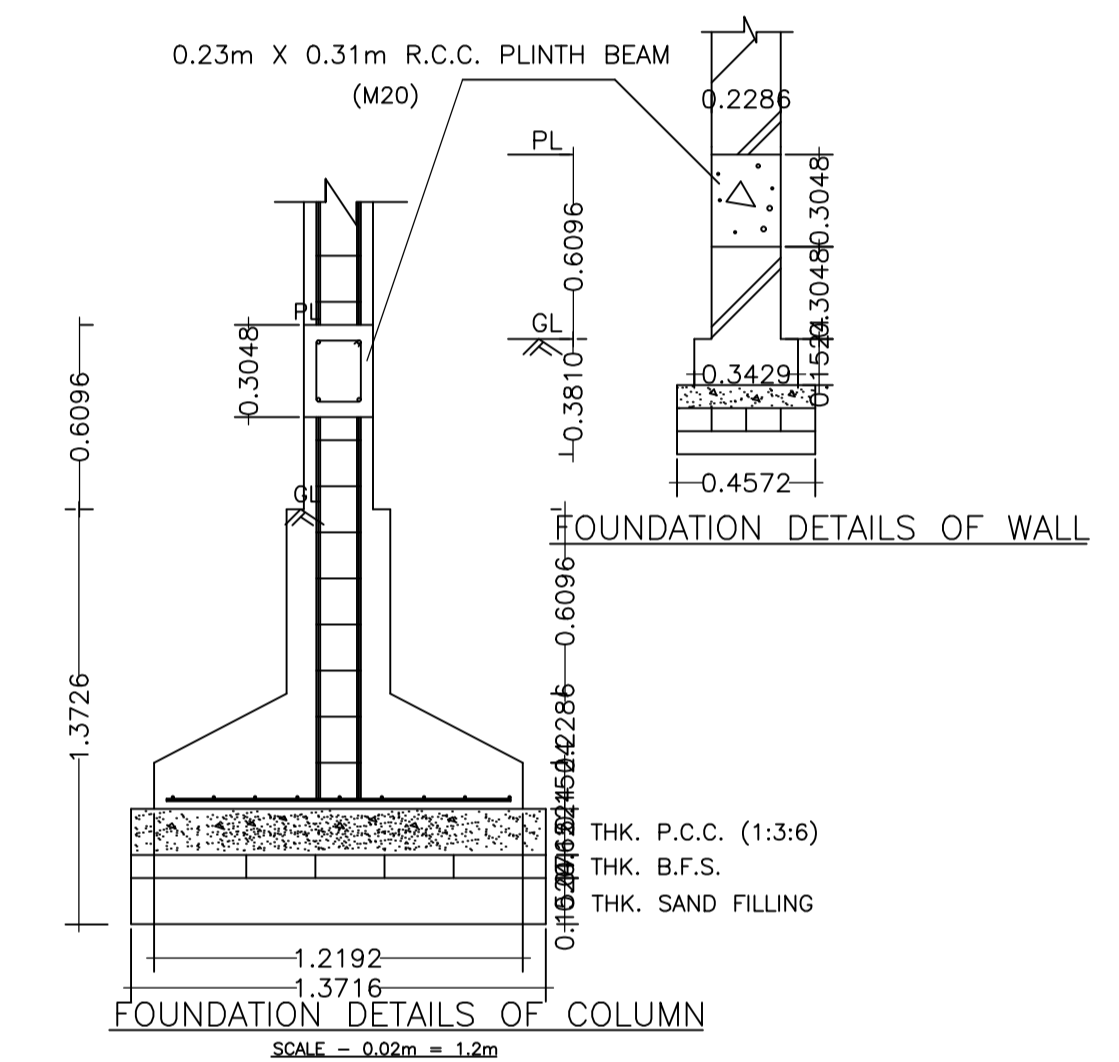
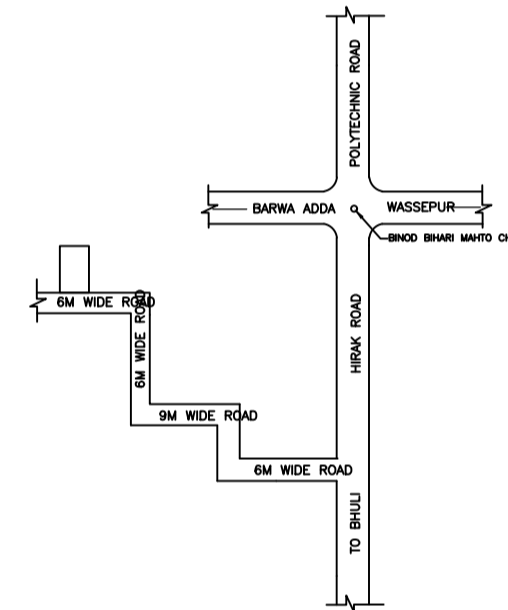
TERRACE FLOOR PLAN
(SCALE 1:100)



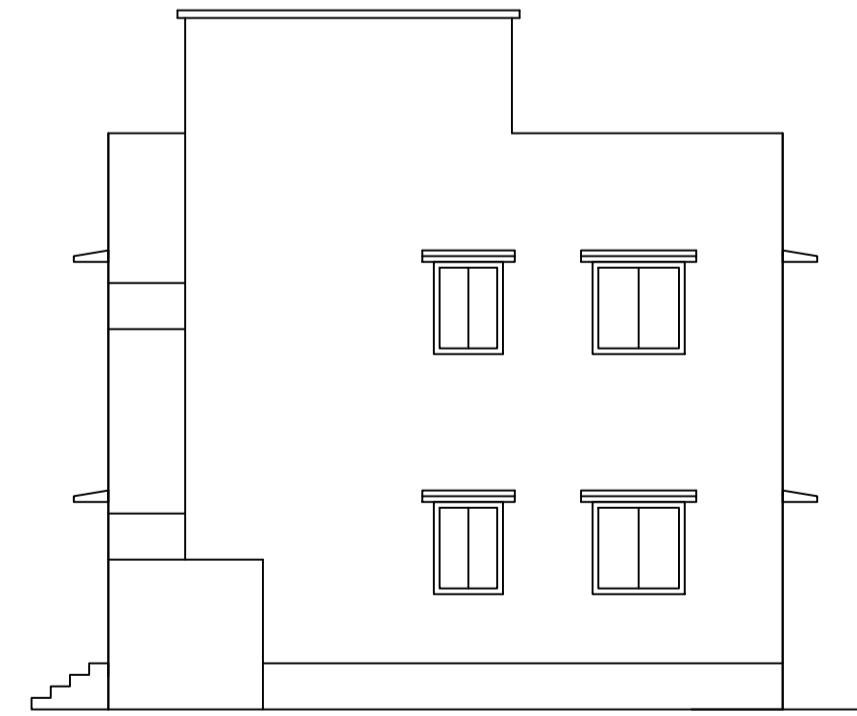
SECTION ON X-X



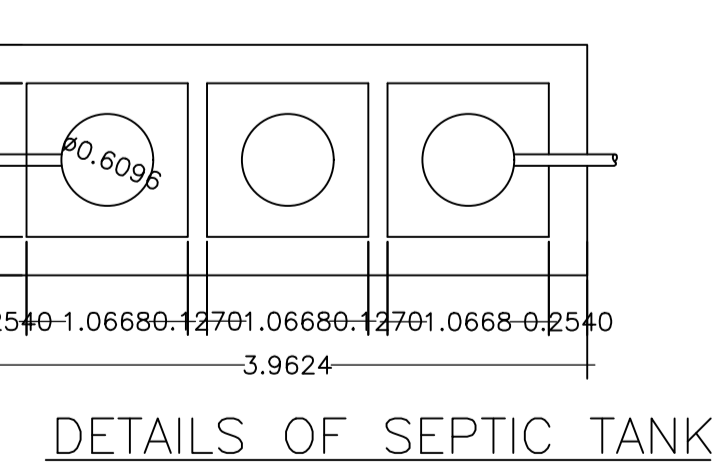
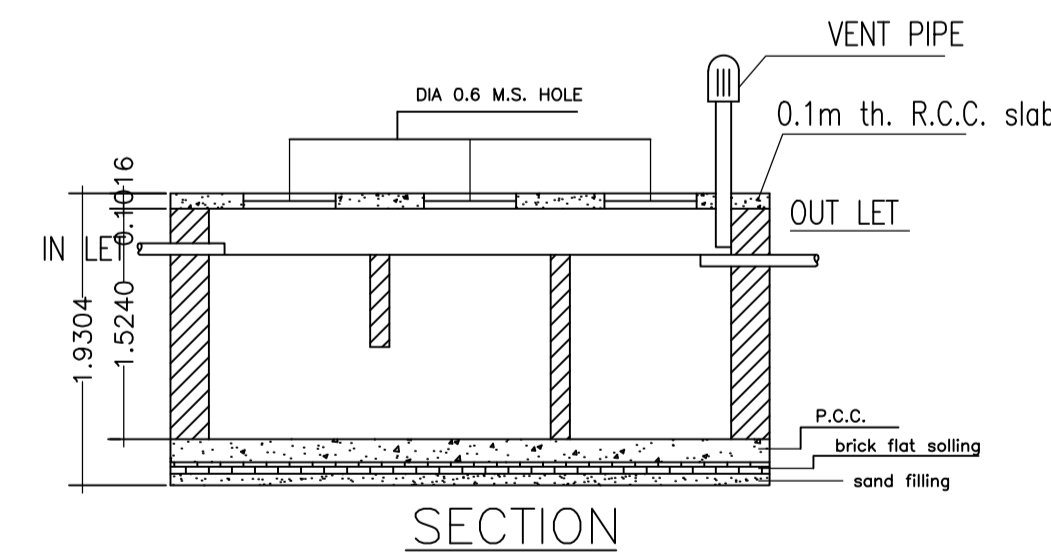
SECTION - YY'



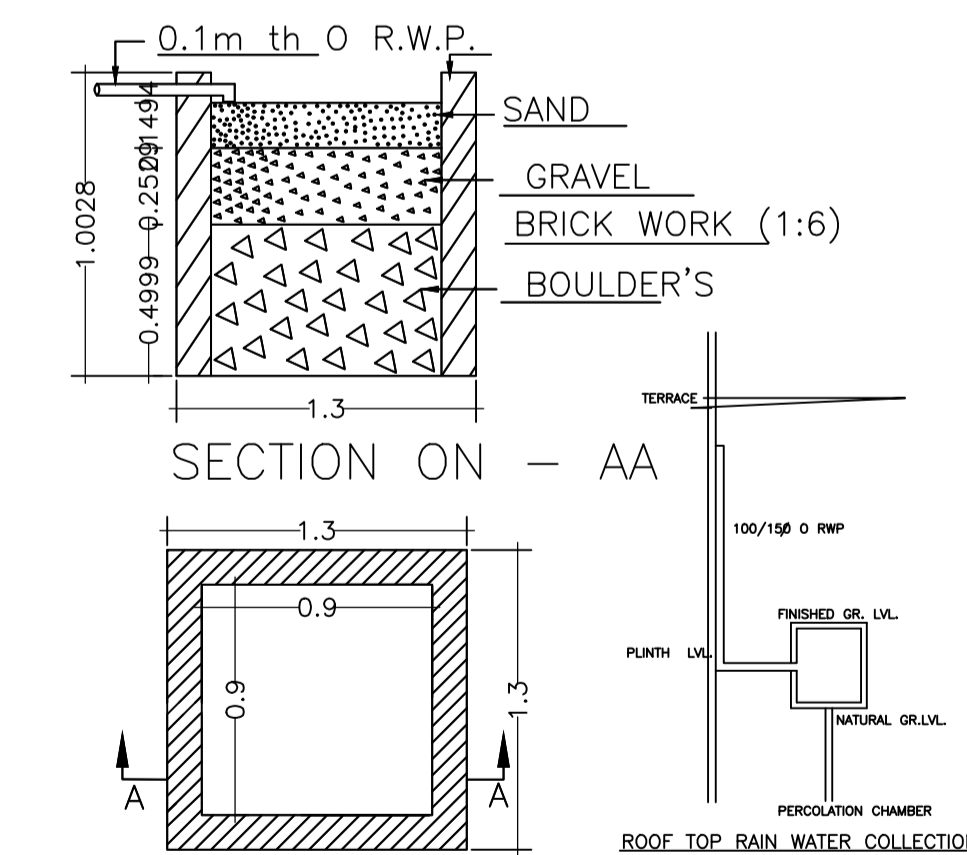
FRONT ELEVATION



RIGHT ELEVATION



DETAILS OF SEPTIC TANK



DETAIL'S OF WATER HARVESTING

LTP NAME AND SIGNATURE	STRUCTURAL ENG'S NAME AND SIGNATURE	BUILDER NAME AND SIGNATURE	DIGITAL SIGNATURE
RAM PRATAP SINGH MADA/ARC/0024/2019			