

AREA STATEMENT MINERAL AREA DEVELOPMENT AUTHORITY		VERSION NO. : 1.0.55
PROJECT DETAIL:		VERSION DATE: 16/10/2020
Region : JHARKHAND URBAN LOCAL BODIES	Plot Use: Residential	
District: DHANBAD	Plot SubUse: Bungalow/ Dwelling / Non Apartment	
Authority: MINERAL AREA DEVELOPMENT AUTHORITY	PlotNearby/ReligiousStructure: NA	
Inward No: MADABP/0098/2021	Plot/SubPlot No: OLD PLOT NO. 71, NEW PLOT NO. 196	
Application Type: General Proposal	North: Plot No. - SAME PLOT	
Project Type: Building Permission	South: Plot No. - SAME PLOT	
Nature of Development: New	East: Road Width - 6.10	
Location of Development Area: Old Area	West: Plot No. - SAME PLOT	
AREA DETAILS:		SQ.MT.
AREA OF PLOT (Minimum)	(A)	138.97
NET AREA OF PLOT (Gross Plot Area - Deduction from Gross Plot area)	(A-Deductions)	138.97
Deduction for Balance Plot Area (from Gross Plot Area)		
Common Plot		11.76
BALANCE AREA OF PLOT (Net Plot Area - Recreational/Amenity space)		127.21
PLOT AREA FOR COVERAGE (Net Plot Area)	(A-Deductions)	138.97
Plot Area for FAR (Net Plot Area + Road Widening Area)	(A-Deductions)	138.97
COVERAGE CHECK		
Permissible Coverage area (70.00 %)		97.28
Proposed Coverage Area (58.96 %)		81.94
Total Prop. Coverage Area (58.96 %)		81.94
Balance coverage area (11.04 %)		15.34
FAR CHECK		
Perm. FAR Area (2.50)		347.42
Total Perm. FAR area		347.42
Residential FAR		163.88
Proposed FAR Area		163.88
Total Proposed FAR Area		163.88
Consumed FAR (Factor)		1.18
Balance FAR Area		183.54
BUILT UP AREA CHECK		
Total Proposed BuiltUp Area		163.88
ARCHITECT (Regd)		RAM PRATAP SINGH
ENGINEER (Regd)		
SUPERVISOR (Regd)		
OWNER (Regd)		SMT. PRIYA KUMARI
DEVELOPMENT AUTHORITY		LOCAL BODY

COLOR INDEX	
PLOT BOUNDARY	Black
ABUTTING ROAD	Green
PROPOSED CONSTRUCTION	Red
COMMON PLOT	Yellow
ROAD WIDENING AREA	Blue
EXISTING (To be retained)	Light Blue
EXISTING (To be demolished)	Light Yellow

Building USE/SUBUSE Details

Building Name	Building Use	Building SubUse	Building Structure
A (PRIYA)	Residential	Residential Bldg/Apartment	Non-Highrise

SCHEDULE OF DOOR:

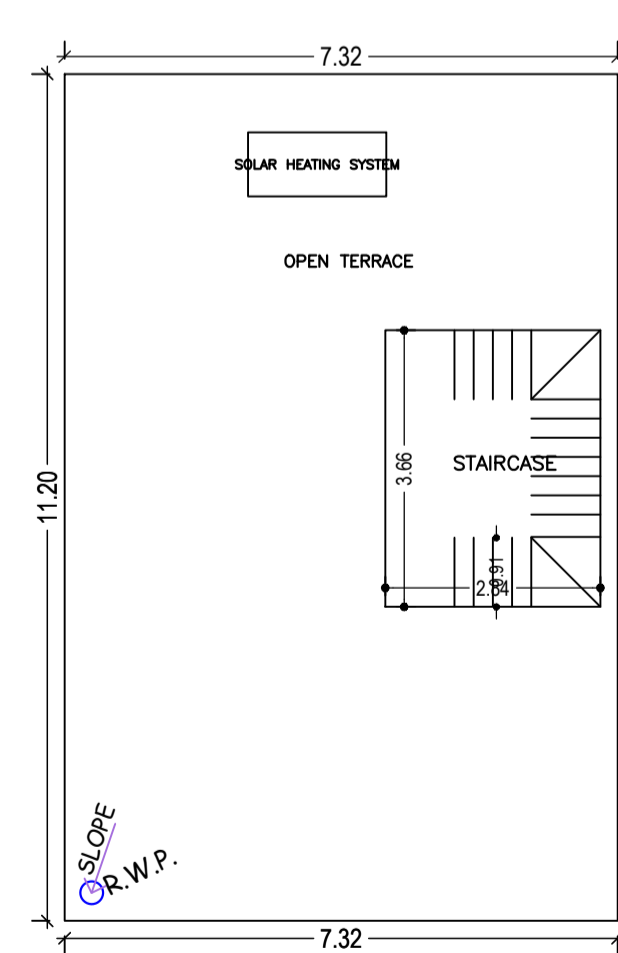
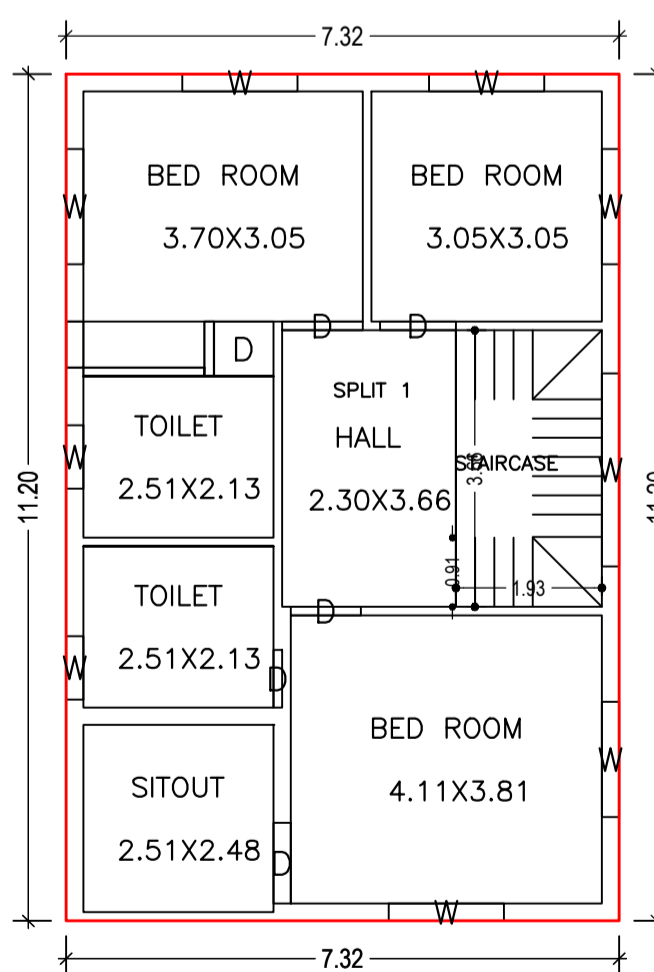
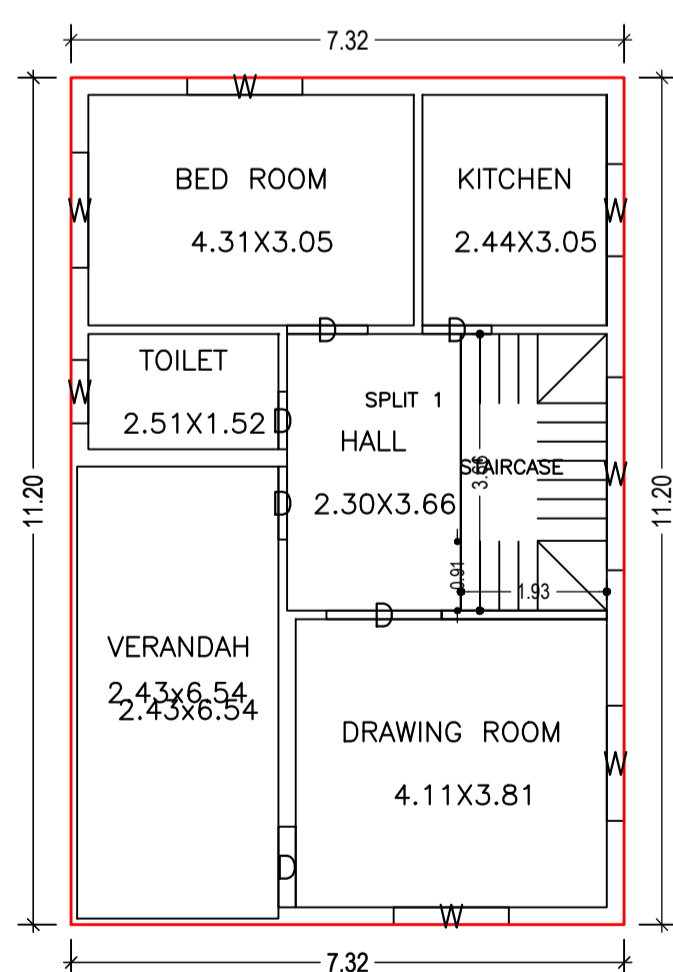
BUILDING NAME	NAME	LENGTH	HEIGHT	NOS
A (PRIYA)	D	0.76	2.10	02
A (PRIYA)	D	0.79	2.10	01
A (PRIYA)	D	0.91	2.10	01
A (PRIYA)	D	0.93	2.10	01
A (PRIYA)	D	0.97	2.10	01
A (PRIYA)	D	1.00	2.10	01
A (PRIYA)	D	1.07	2.10	04
A (PRIYA)	D	1.52	2.10	01

SCHEDULE OF WINDOW/VENTILATION:

BUILDING NAME	NAME	LENGTH	HEIGHT	NOS
A (PRIYA)	W	0.84	1.20	03
A (PRIYA)	W	1.22	1.20	01
A (PRIYA)	W	1.52	1.20	10
A (PRIYA)	W	2.55	1.20	02

UnitBUA Table for Building :A (PRIYA)

FLOOR	Name	UnitBUA Type	UnitBUA Area	Carpet Area	No. of Rooms	No. of Tenement
GROUND FLOOR PLAN	SPLIT 1	FLAT	163.88	163.22	6	1
FIRST FLOOR PLAN	SPLIT 1	FLAT	0.00	0.00	7	0
Total:	-	-	163.88	163.22	13	1



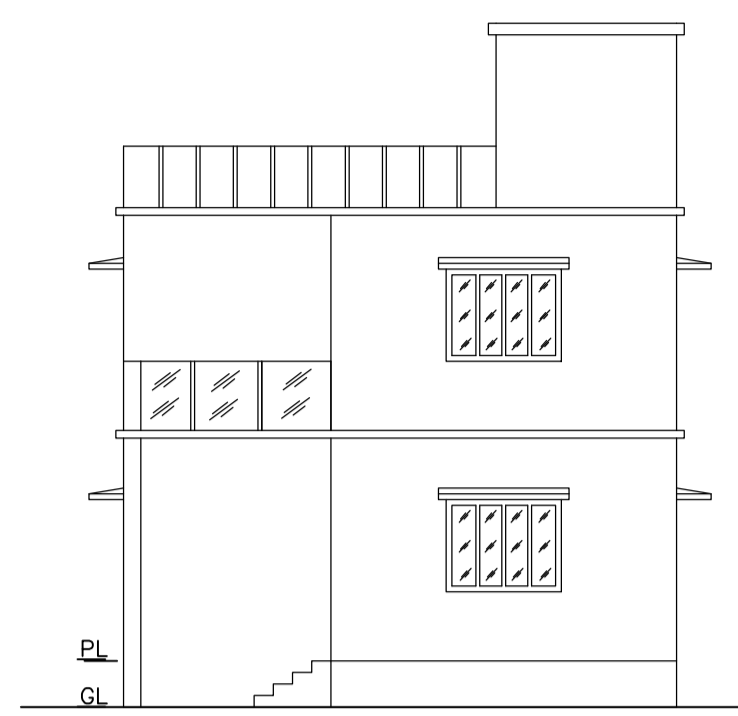
GROUND FLOOR PLAN (Proposed) (SCALE 1:100)

FIRST FLOOR PLAN (Proposed) (SCALE 1:100)

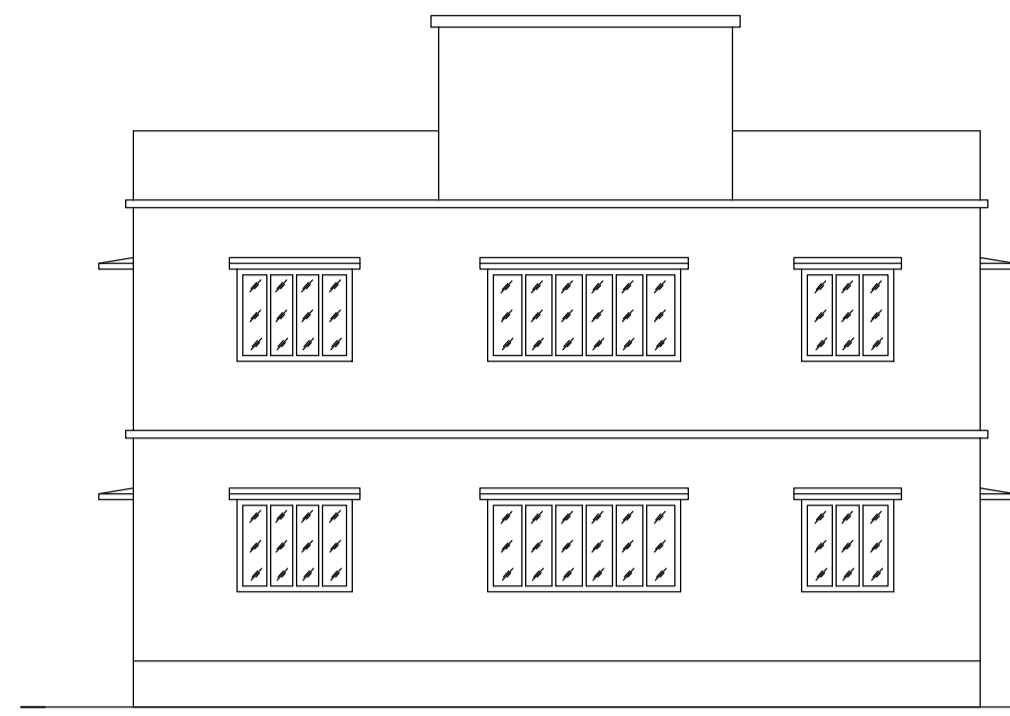
TERRACE FLOOR PLAN (SCALE 1:100)

LTP NAME AND SIGNATURE	STRUCTURAL ENG'S NAME AND SIGNATURE	BUILDER NAME AND SIGNATURE	DIGITAL SIGNATURE
RAM PRATAP SINGH MADA/ARC/0024/2019			

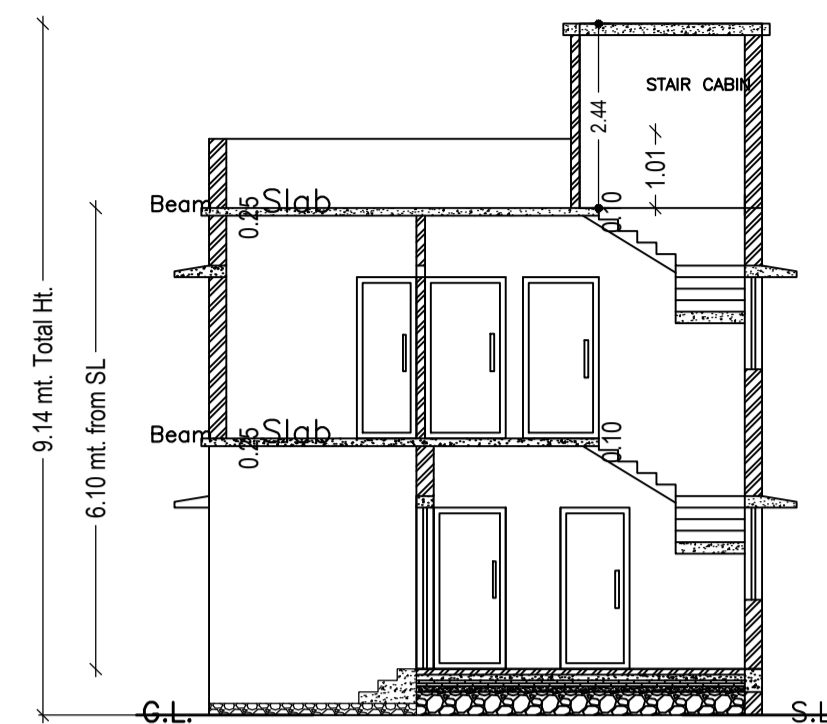
Proposal Basic Information	
Proposal File No.	MADA/BP/0098/2021
Owner Name	SMT. PRIYA KUMARI
Khata No	OLD KHATA NO-16, NEW KHATA NO-14
Plot No	OLD PLOT NO. 71, NEW PLOT NO. 196
Village Name	Tilakraydih
Use	Residential
SubUse	Bungalow/ Dwelling / Non Apartment



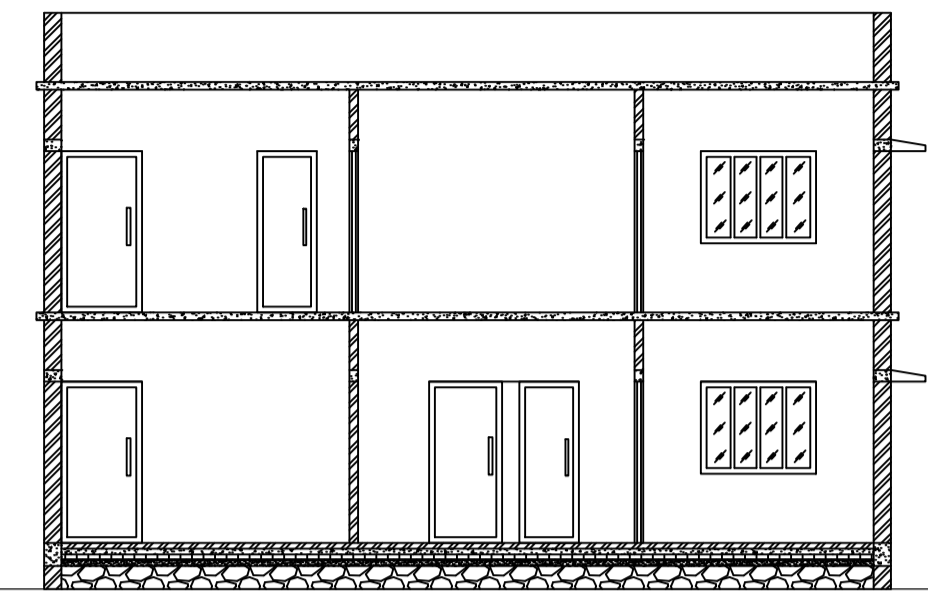
FRONT ELEVATION
SCALE - 1" = 8'-0"



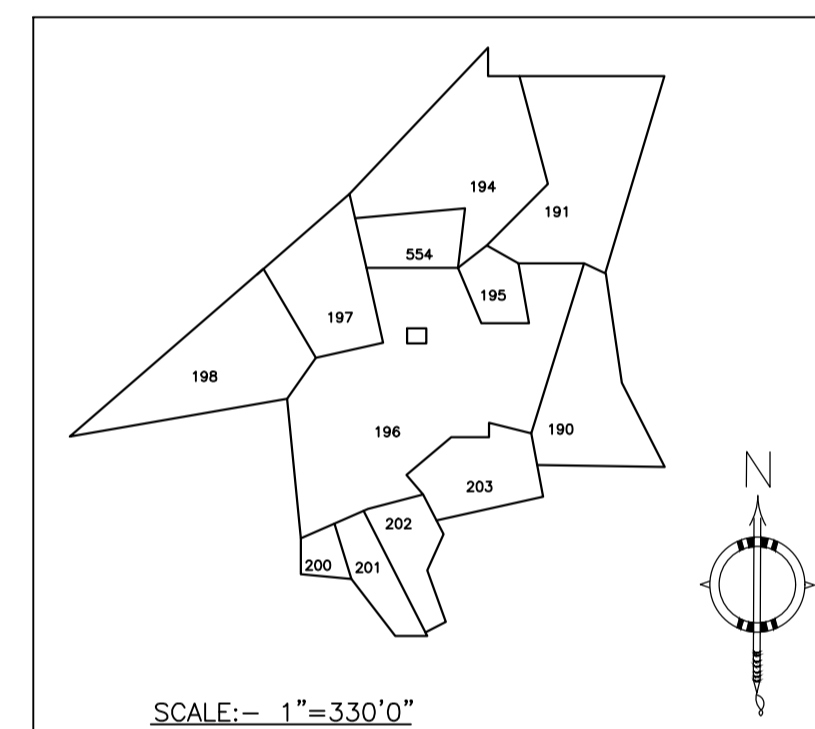
RIGHT SIDE ELEVATION
SCALE - 1" = 8'-0"



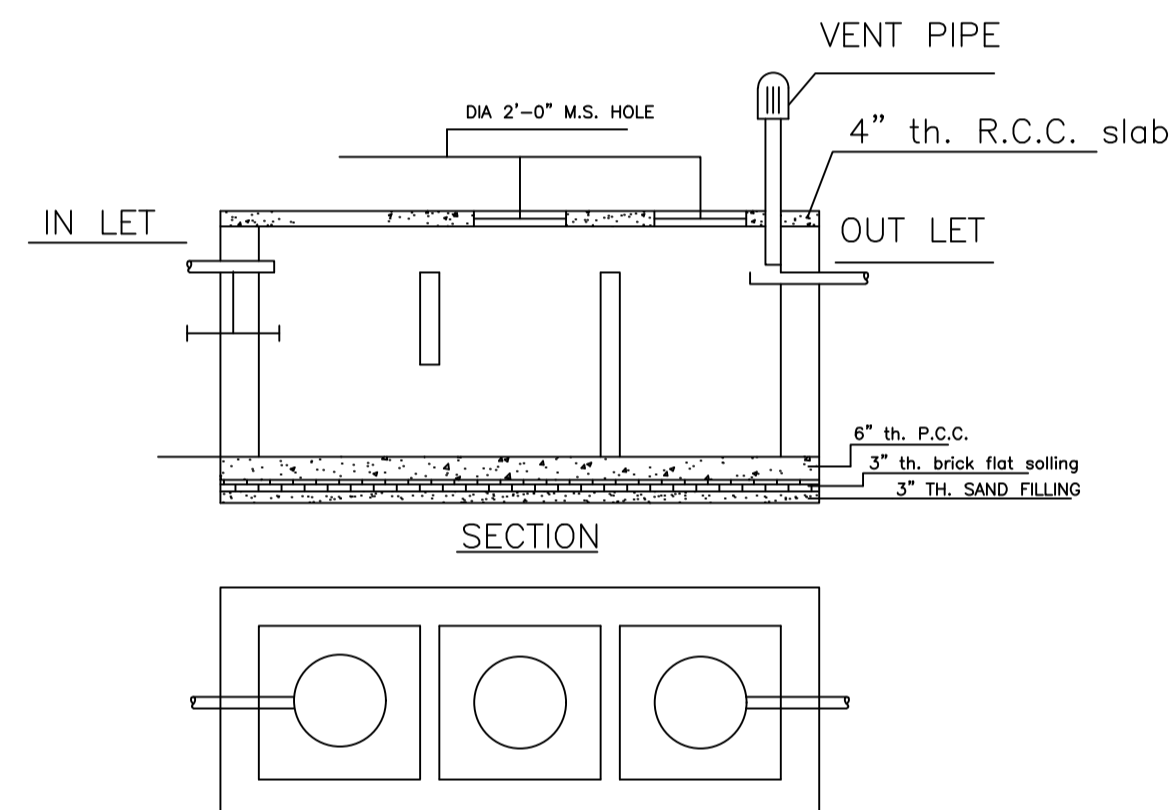
SECTION - XX'
SCALE - 1" = 8'-0"



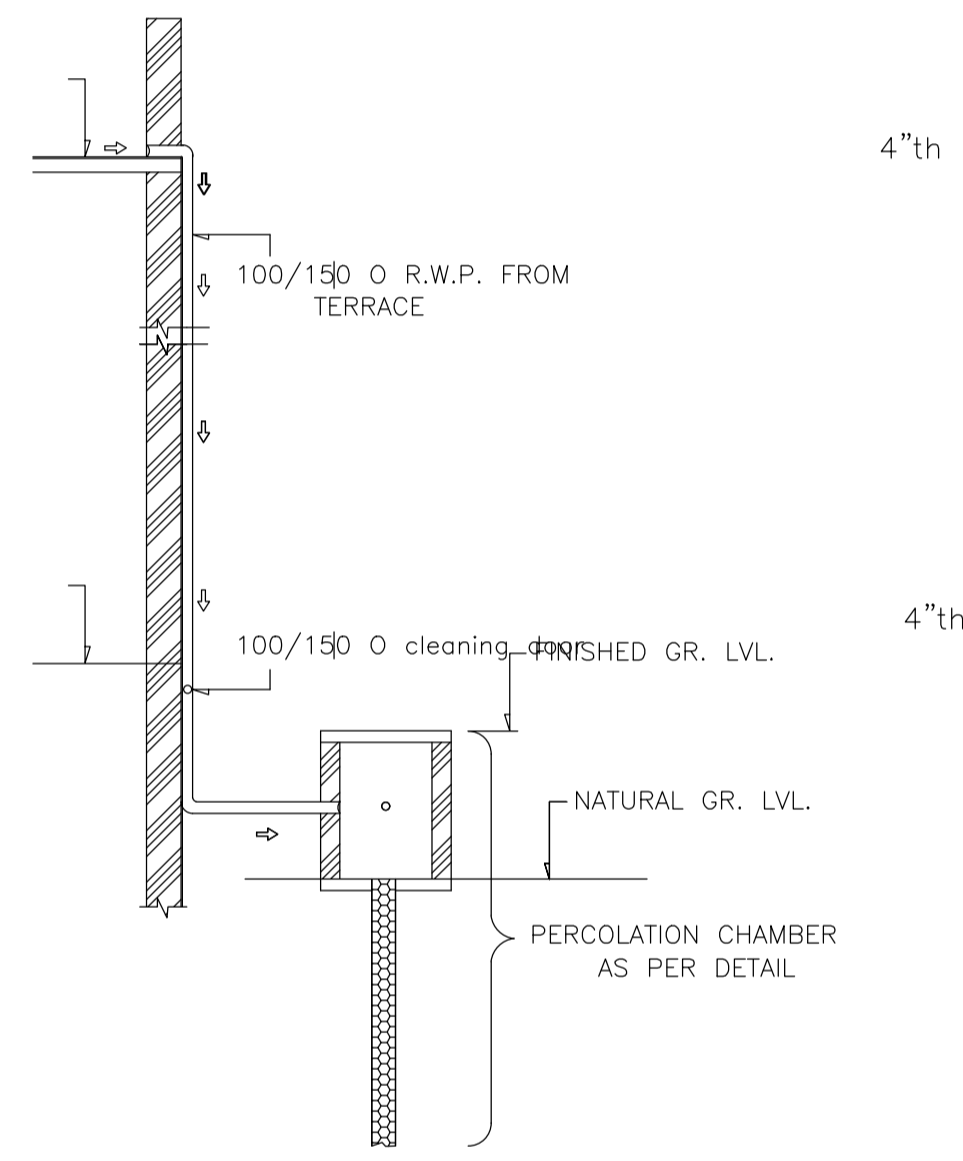
SECTION - YY'
SCALE - 1" = 8'-0"



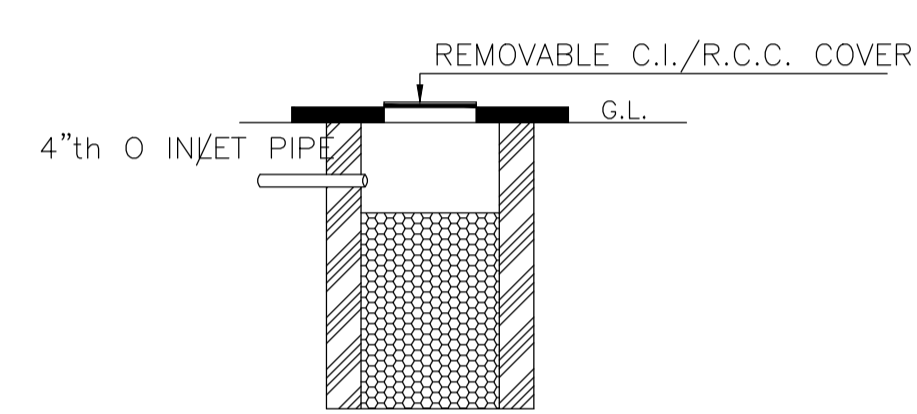
SCALE:- 1"=330'0"



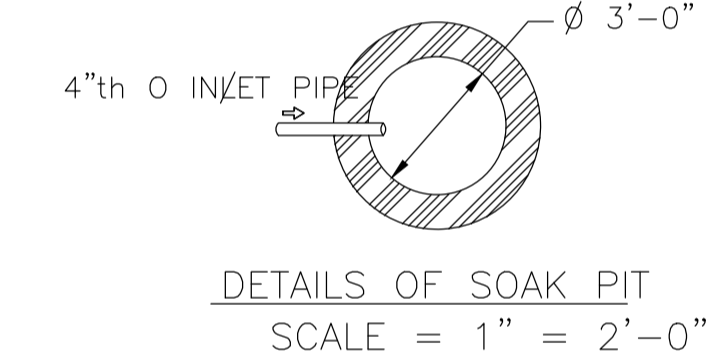
DETAILS OF SEPTIC TANK
SCALE - 1" = 4'-0"



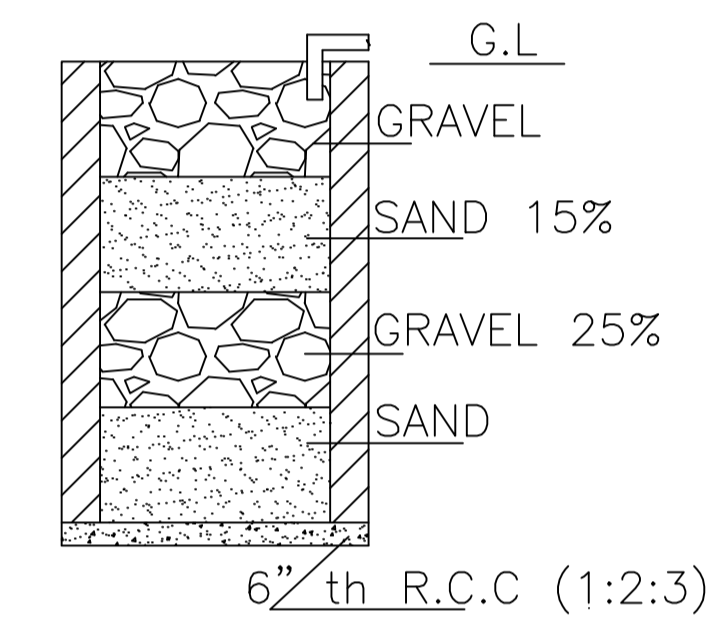
ROOF TOP RAIN WATER COLLECTION SYSTEM
SCALE = 1" = 4'-0"



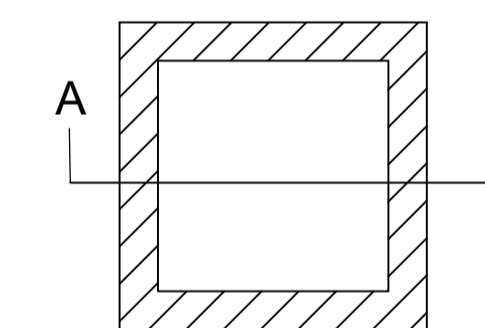
SECTION OF SOAK PIT



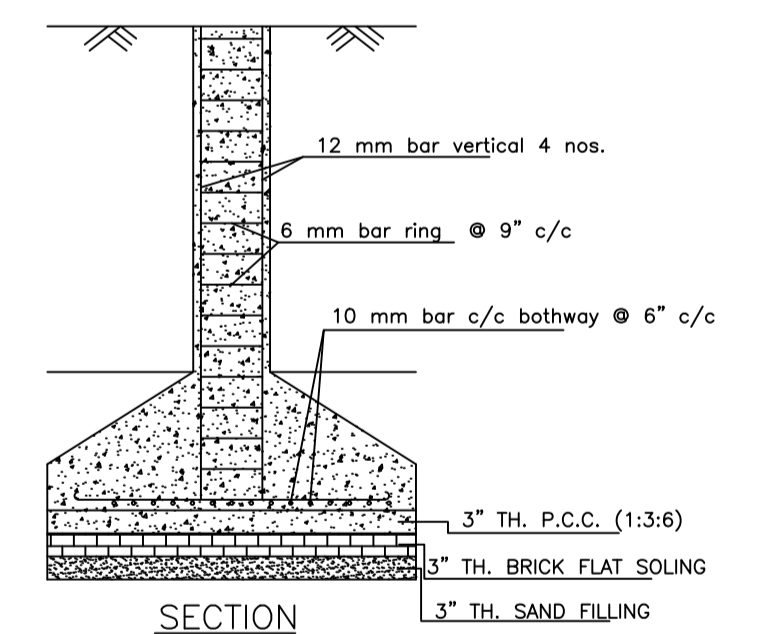
DETAILS OF SOAK PIT
SCALE = 1" = 2'-0"



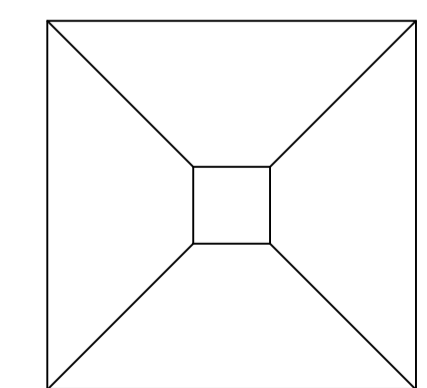
SECTION ON A - B



DETAILS DRAWING OF RAIN WATER HARVESTING
SCALE:- 1"=2'-0"

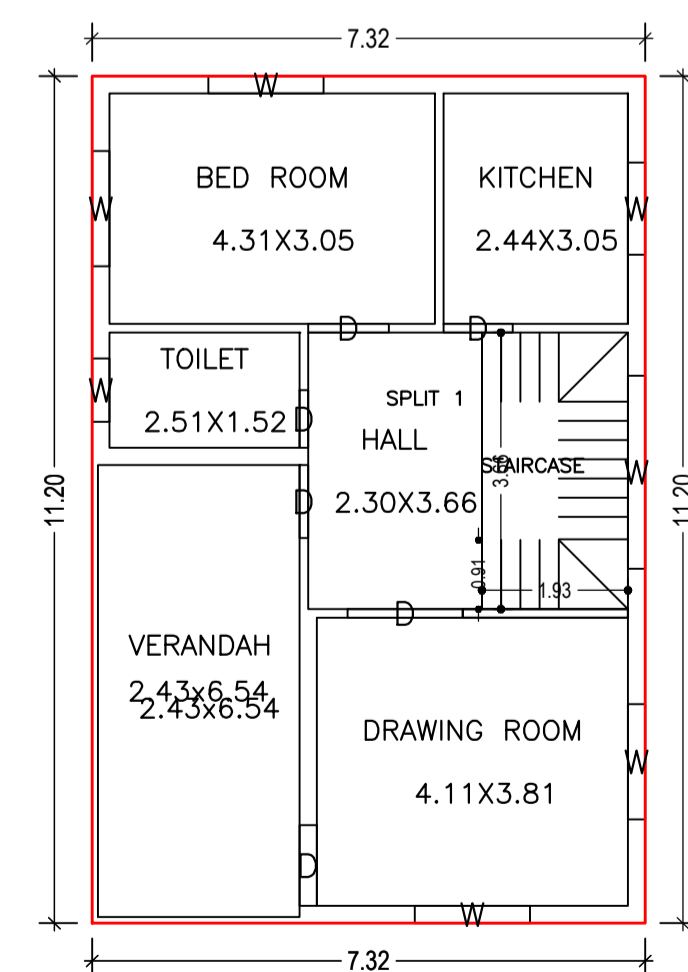


SECTION

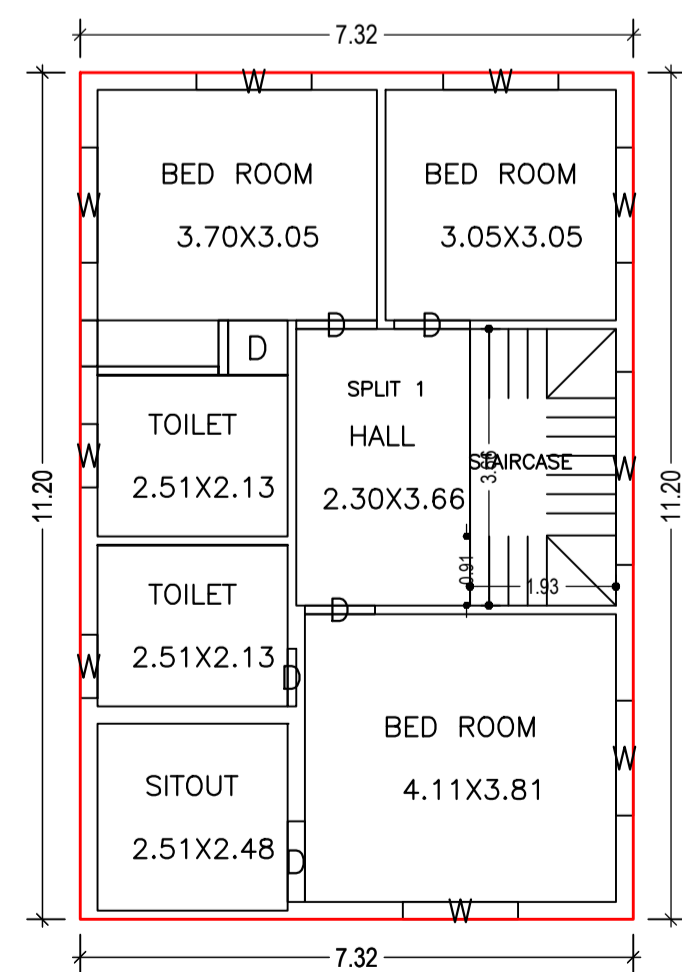


PLAN

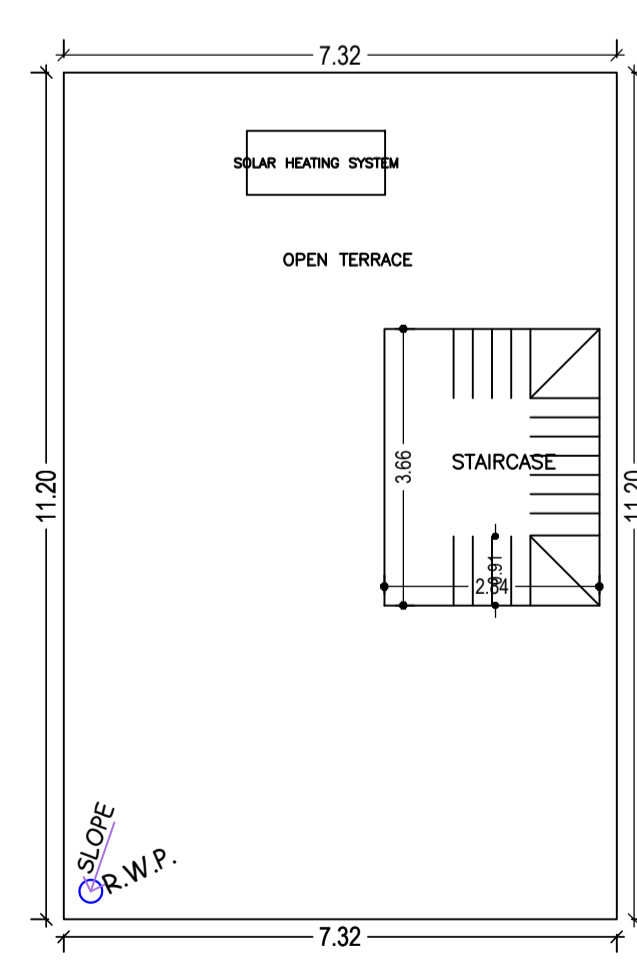
DETAILS OF COLUMN FOUNDATION
SCALE - 1" = 2'-0"



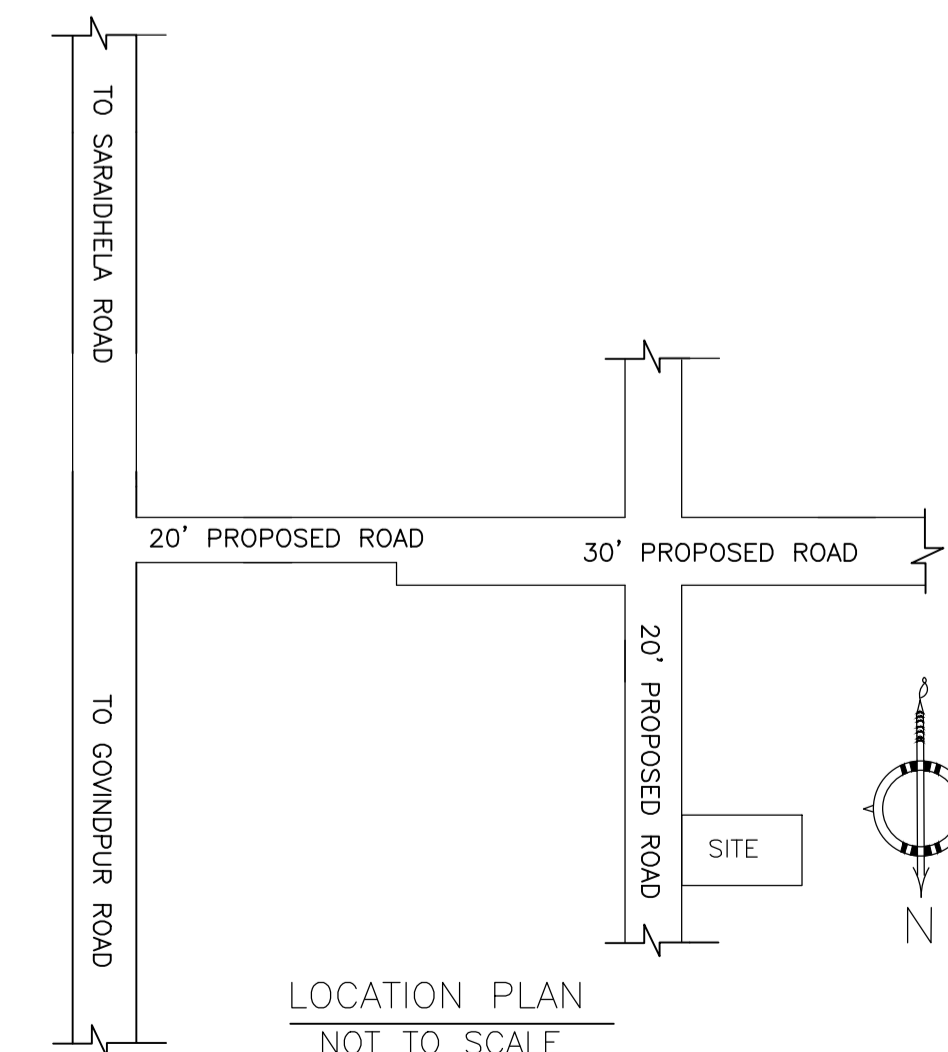
GROUND FLOOR PLAN
(Proposed)
SCALE 1:100



FIRST FLOOR PLAN
(Proposed)
SCALE 1:100



TERRACE FLOOR PLAN
(SCALE 1:100)



LOCATION PLAN
NOT TO SCALE

LTP NAME AND SIGNATURE	STRUCTURAL ENG'S NAME AND SIGNATURE	BUILDER NAME AND SIGNATURE	DIGITAL SIGNATURE
RAM PRATAP SINGH MADA/ARC/0024/2019			