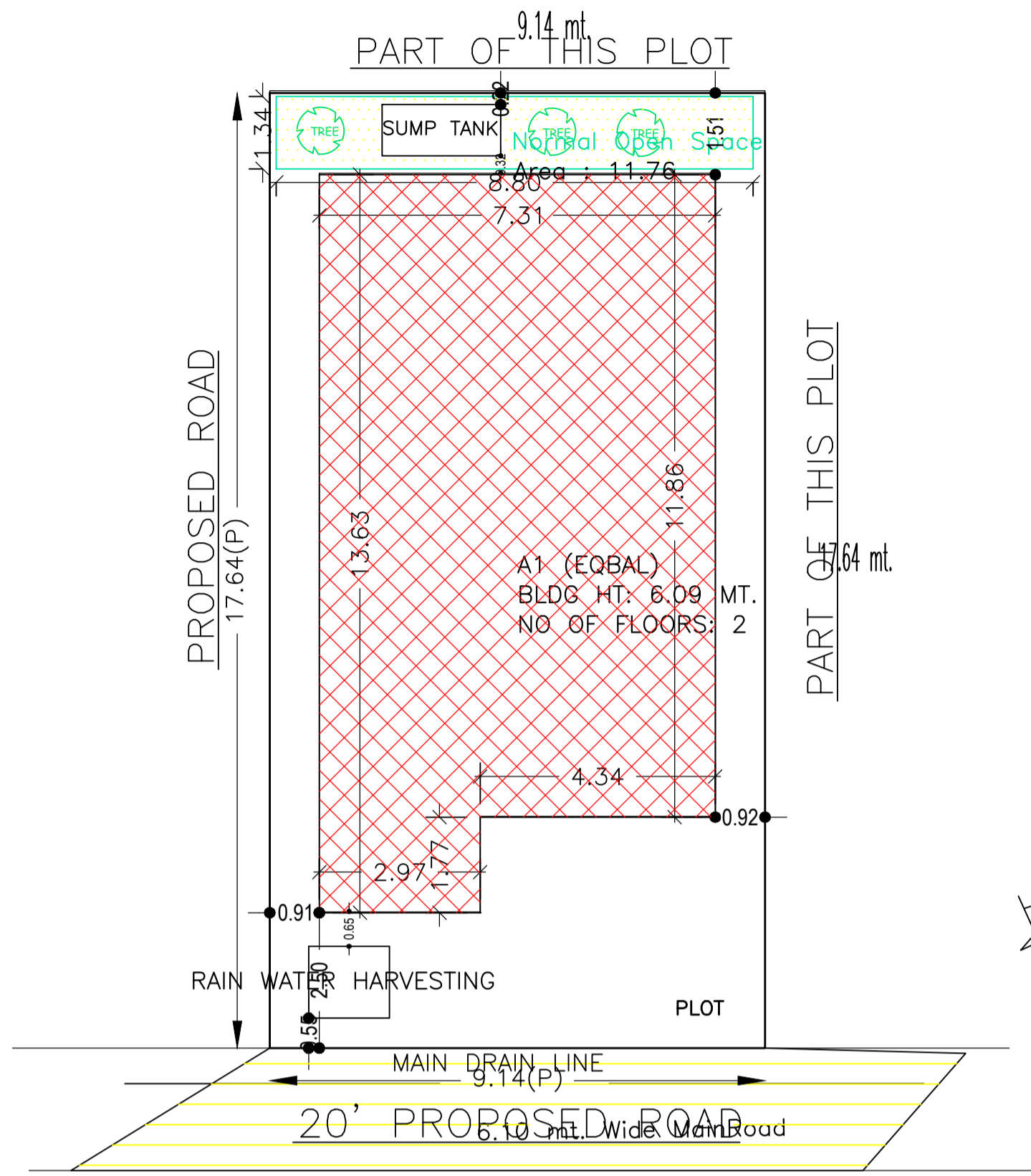


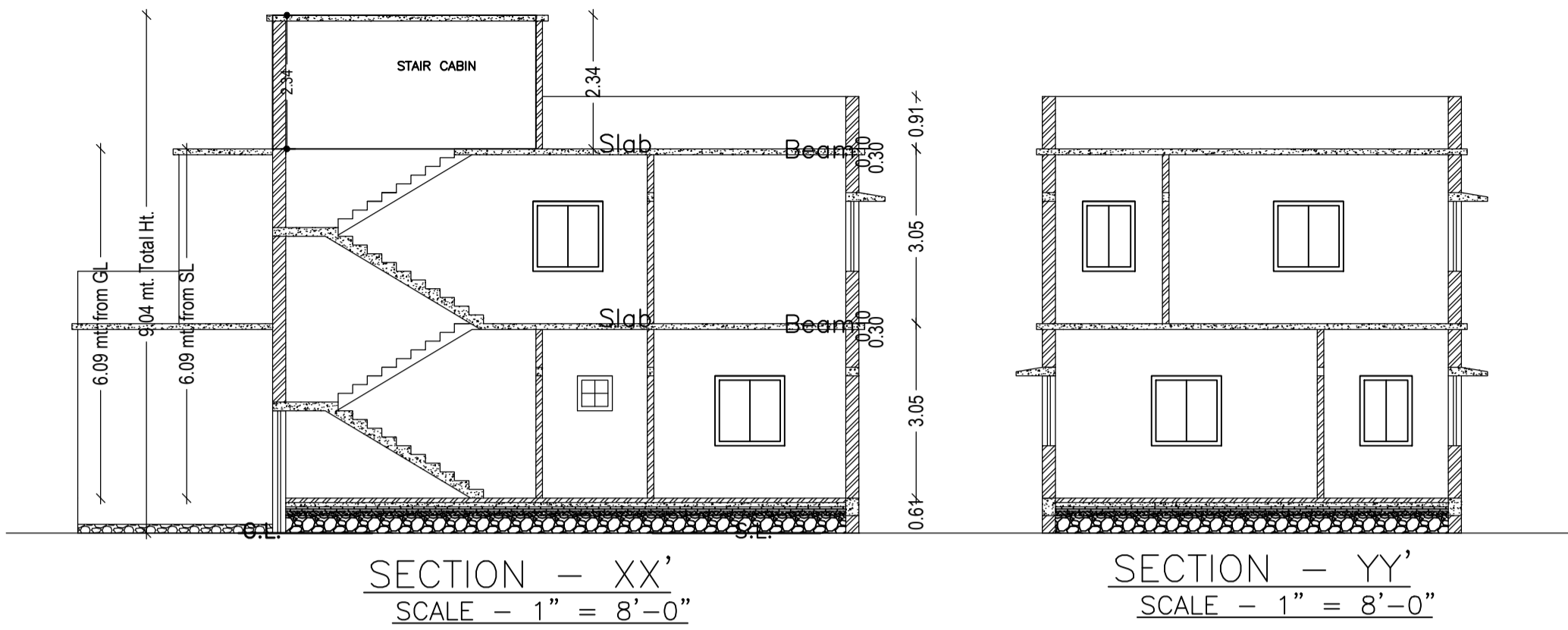
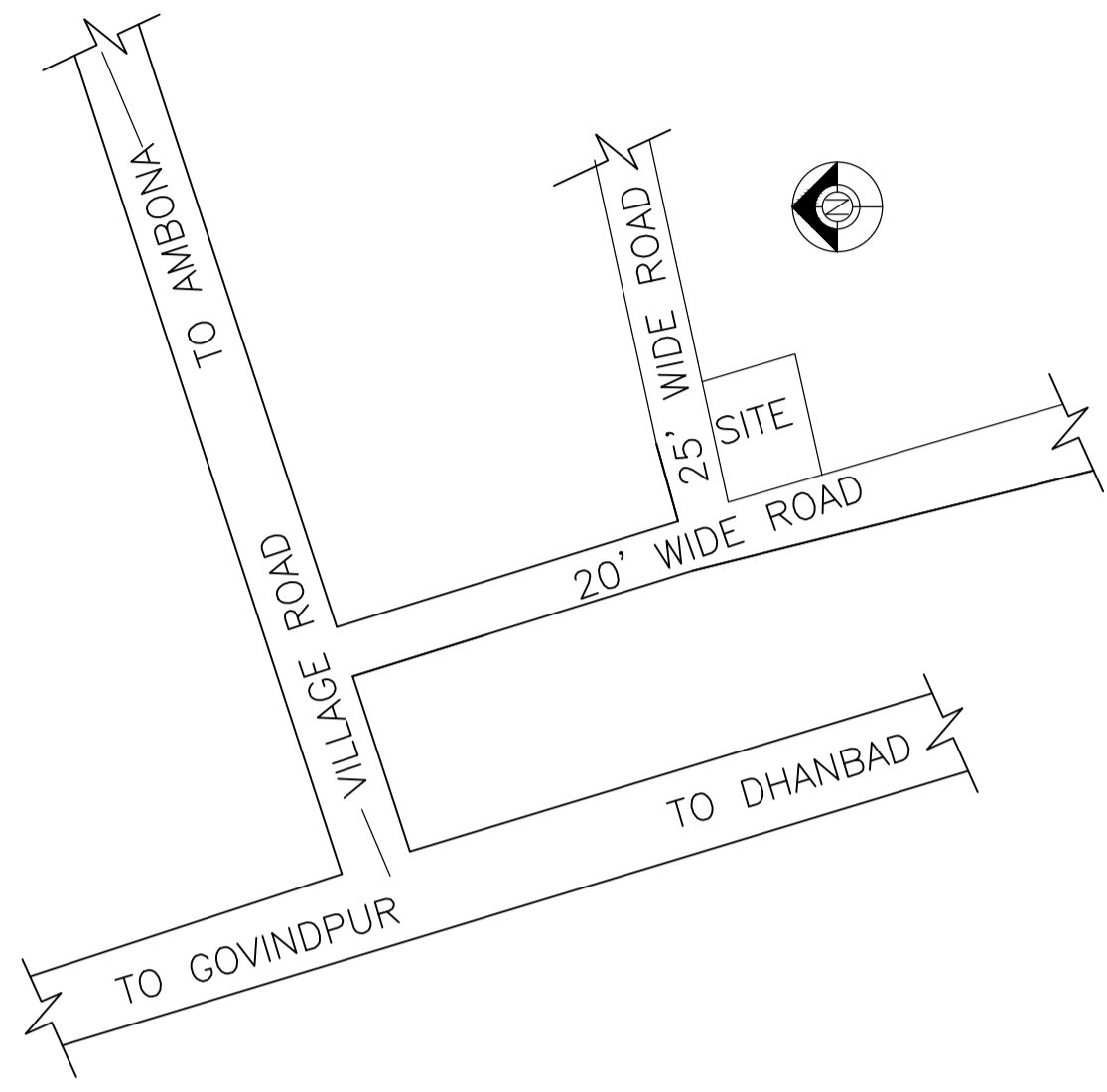
Proposal Basic Information

Proposal File No.	MADA/BP/0124/2021
Owner Name	SRI. EQBAL SINGH
Khata No	OLD KHATA NO-74, NEW KHATA NO-189
Plot No	OLD PLOT NO. 340, NEW PLOT NO. 1120
Village Name	Amaghata
Use	Residential
SubUse	Bungalow/ Dwelling / Non Apartment

AREA STATEMENT MINERAL AREA DEVELOPMENT AUTHORITY	VERSION NO.: 1.0.61	
	VERSION DATE: 16/10/2020	
PROJECT DETAIL:		
Region: JHARKHAND URBAN LOCAL BODIES	Plot Use: Residential	
District: DHANBAD	Plot SubUse: Bungalow/ Dwelling / Non Apartment	
Authority: MINERAL AREA DEVELOPMENT AUTHORITY	Plot/Nearby/Religious/Structure: NA	
Inward No: MADA/BP/0124/2021	Plot/SubPlot No: OLD PLOT NO. 340, NEW PLOT NO. 1120	
Application Type: General Proposal	North: Road Width - 7.62	
Project Type: Building Permission	South: Plot No. - SAME PLOT	
Nature of Development: New	East: Plot No. - SAME PLOT	
Location of Development Area: Old Area	West: Road Width - 6.10	
AREA DETAILS:		
AREA OF PLOT (Minimum)	(A)	SQ.MT.
NET AREA OF PLOT(Gross Plot Area - Deduction from Gross Plot area)	(A-Deductions)	161.29
Deduction for Balance Plot Area(from Gross Plot Area)		
Common Plot		11.76
Total		11.76
BALANCE AREA OF PLOT(Net Plot Area - Recreational/Amenity space)	(A-Deductions)	149.53
PLOT AREA FOR COVERAGE(Net Plot Area)	(A-Deductions)	161.29
Plot Area for FAR (Net Plot Area + Road Widening Area)	(A-Deductions)	161.29
COVERAGE CHECK		
Permissible Coverage area (70.00 %)		112.90
Proposed Coverage Area (57.02 %)		91.97
Total Prop. Coverage Area (57.02 %)		91.97
Balance coverage area (12.98 %)		20.93
FAR CHECK		
Perm. FAR Area (2.50)		403.22
Total Perm. FAR area		403.22
Residential FAR		178.71
Proposed FAR Area		178.71
Total Proposed FAR Area		178.71
Consumed FAR (Factor)		1.11
Balance FAR Area		224.51
BUILT UP AREA CHECK		
Total Proposed BuiltUp Area		178.70
ARCHITECT (Regd)		RAM PRATAP SINGH
ENGINEER (Regd)		
SUPERVISOR (Regd)		
OWNER (Regd)		SRI. EQBAL SINGH
DEVELOPMENT AUTHORITY		LOCAL BODY

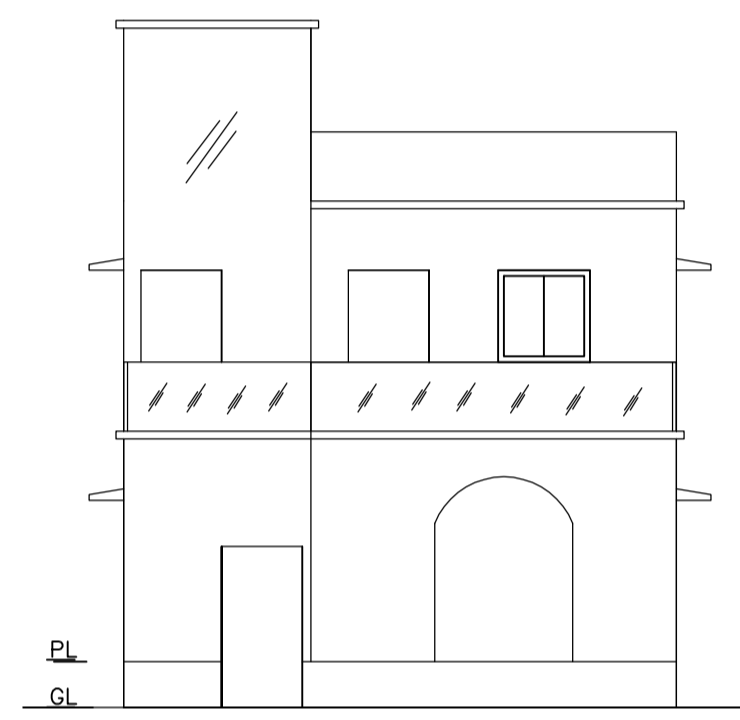


SITE PLAN



SECTION - XX'
SCALE - 1" = 8'-0"

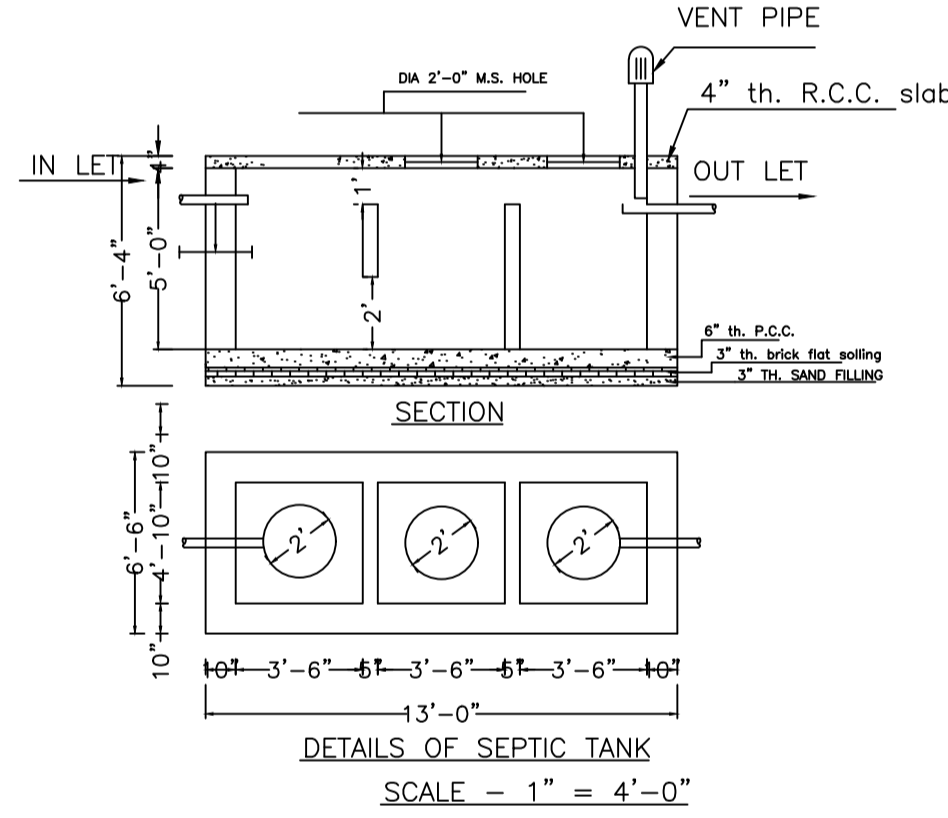
SECTION - YY'
SCALE - 1" = 8'-0"



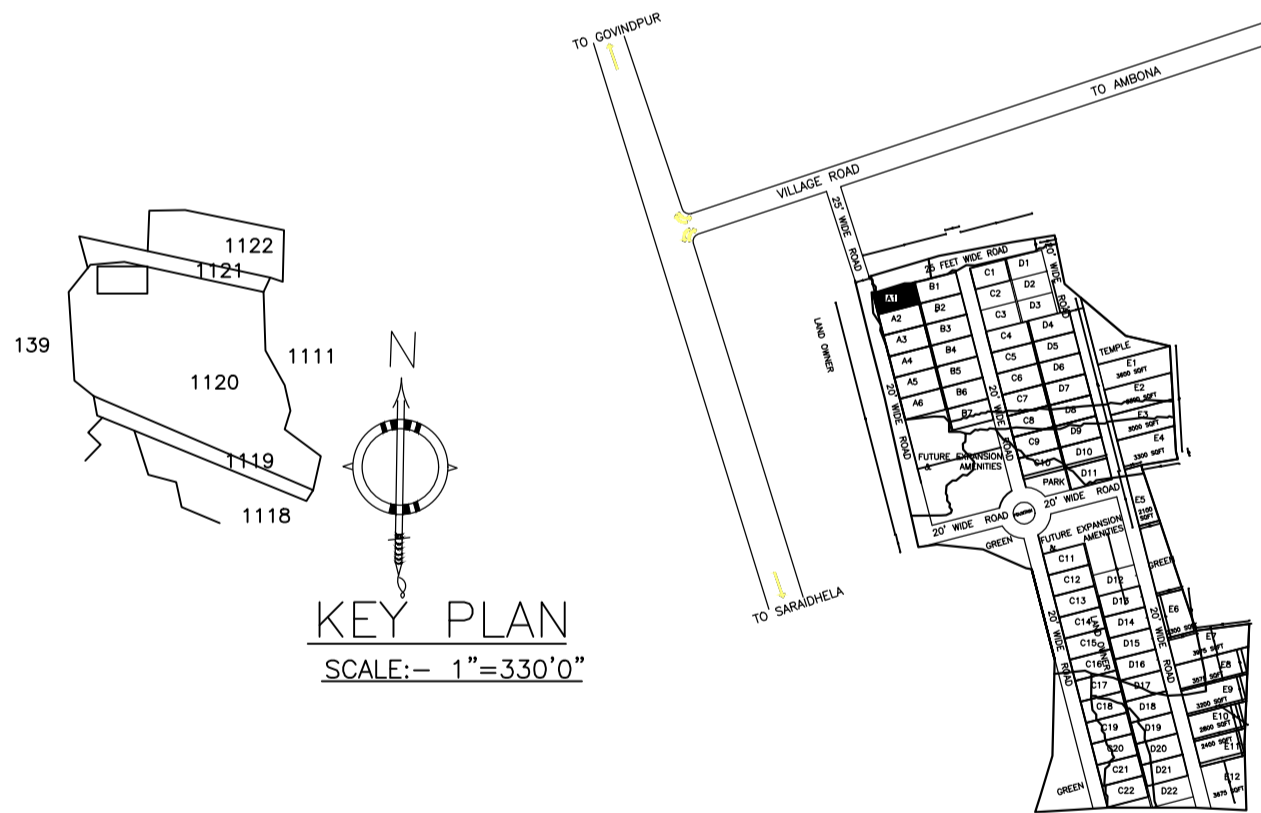
FRONT ELEVATION
SCALE - 1" = 8'-0"



RIGHT SIDE ELEVATION
SCALE - 1" = 8'-0"



DETAILS OF SEPTIC TANK
SCALE - 1" = 4'-0"



KEY PLAN
SCALE:- 1"=330'0"

SCHEDULE OF DOOR:

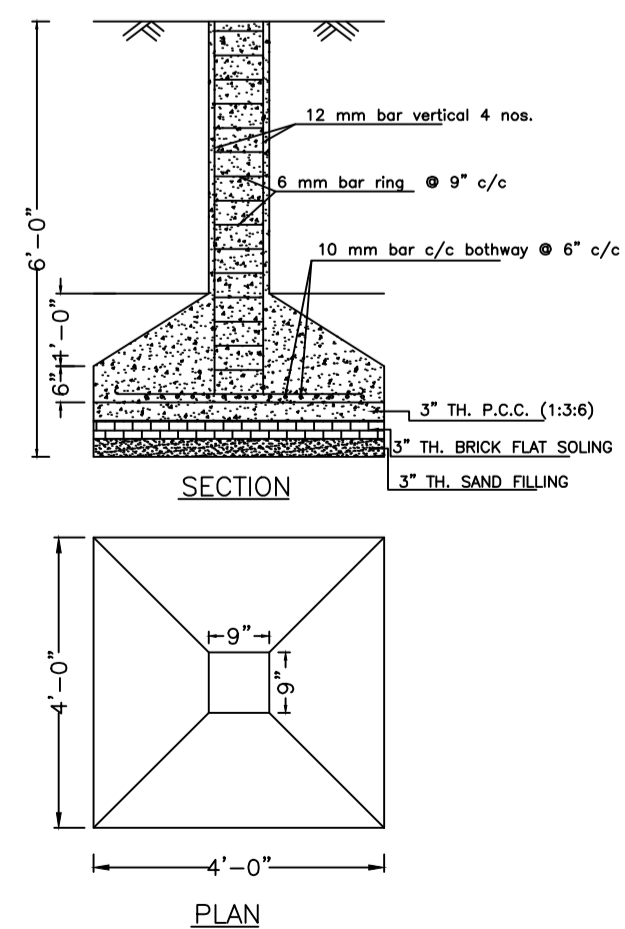
BUILDING NAME	NAME	LENGTH	HEIGHT	NOS
A1 (EQBAL)	D	0.76	2.10	03
A1 (EQBAL)	D	0.91	2.10	02
A1 (EQBAL)	D	1.07	2.10	07
A1 (EQBAL)	D	1.83	2.10	01

SCHEDULE OF WINDOW/VENTILATION:

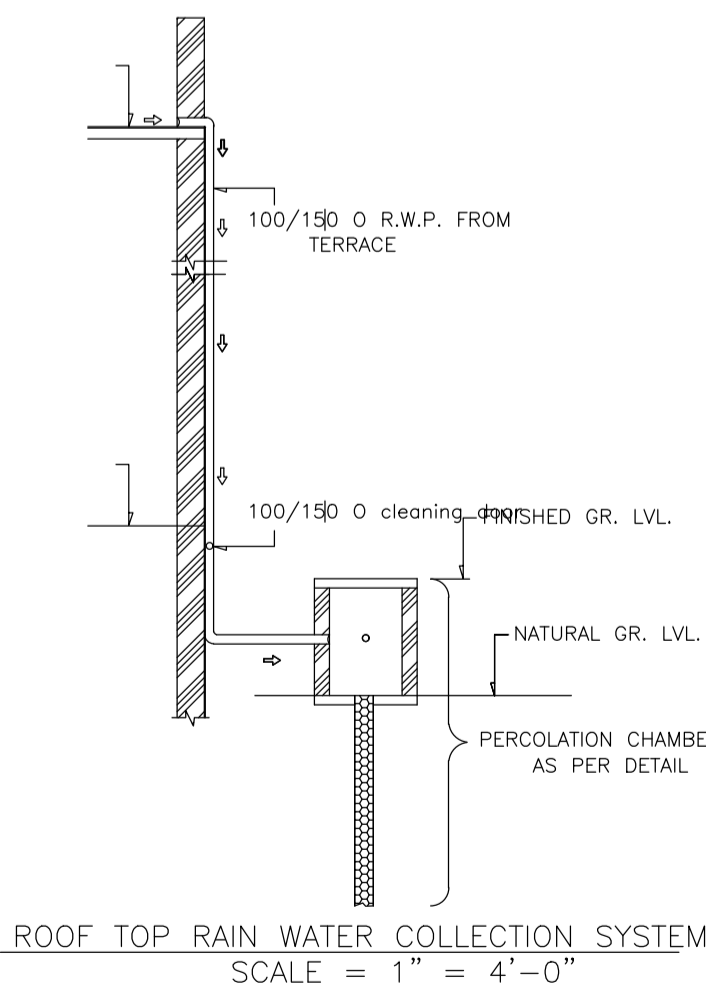
BUILDING NAME	NAME	LENGTH	HEIGHT	NOS
A1 (EQBAL)	W	0.61	1.20	03
A1 (EQBAL)	W	0.91	1.20	02
A1 (EQBAL)	W	1.22	1.20	10

Building :A1 (EQBAL)

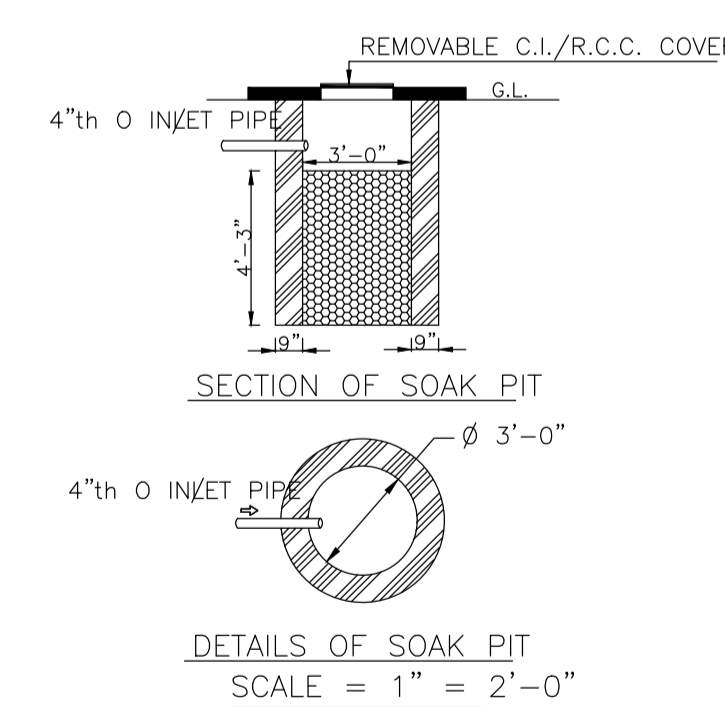
Floor Name	Total Built Up Area (Sq.mt.)	Proposed FAR Area (Sq.mt.) Resi.	Total FAR Area (Sq.mt.)	Total Consumed Additional FAR Area (Sq.mt.)	Tnmt (No.)
Ground Floor	91.97	91.97	91.97	91.97	01
First Floor	86.73	86.73	86.73	86.73	00
Terrace Floor	0.00	0.00	0.00	0.00	00
Total :	178.70	178.70	178.70	178.70	01
Total Number of Same Buildings :	1				
Total :	178.70	178.70	178.70	178.70	01



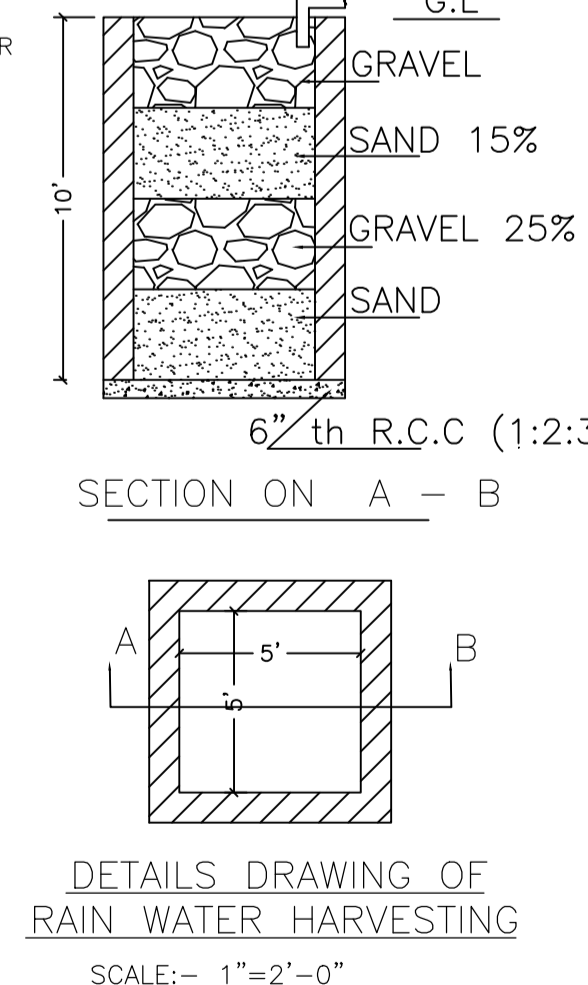
DETAILS OF COLUMN FOUNDATION
SCALE - 1" = 2'-0"



ROOF TOP RAIN WATER COLLECTION SYSTEM
SCALE = 1" = 4'-0"



DETAILS OF SOAK PIT
SCALE = 1" = 2'-0"



DETAILS DRAWING OF RAIN WATER HARVESTING
SCALE:- 1"=2'-0"

COLOR INDEX

PLOT BOUNDARY	Black
ABUTTING ROAD	Green
PROPOSED CONSTRUCTION	Red
COMMON PLOT	Yellow
ROAD WIDENING AREA	Orange
EXISTING (To be retained)	Blue
EXISTING (To be demolished)	Light Blue

Buildingwise Floor FAR Details

Floor Name	Building Name A1 (EQBAL)		Total	
	Proposed Built Up Area (Sq.mt.)	Proposed FAR Area (Sq.mt.)	Total Proposed Built Up Area (Sq.mt.)	Total FAR Area (Sq.mt.)
Ground Floor	91.97	91.97	91.97	91.97
First Floor	86.73	86.73	86.73	86.73
Terrace Floor	0.00	0.00	0.00	0.00
Total :	178.70	178.70	178.70	178.70

Building USE/SUBUSE Details

Building Name	Building Use	Building SubUse	Building Structure
A1 (EQBAL)	Residential	Residential Bldg/Apartment	Non-Highrise

UnitBUA Table for Building :A1 (EQBAL)

FLOOR	Name	UnitBUA Type	UnitBUA Area	Carpet Area	No. of Rooms	No. of Tenement
GROUND FLOOR PLAN	SPLIT 1	FLAT	178.71	178.00	6	1
FIRST FLOOR PLAN	SPLIT 1	FLAT	0.00	0.00	8	0
Total:	-	-	178.71	178.00	14	1

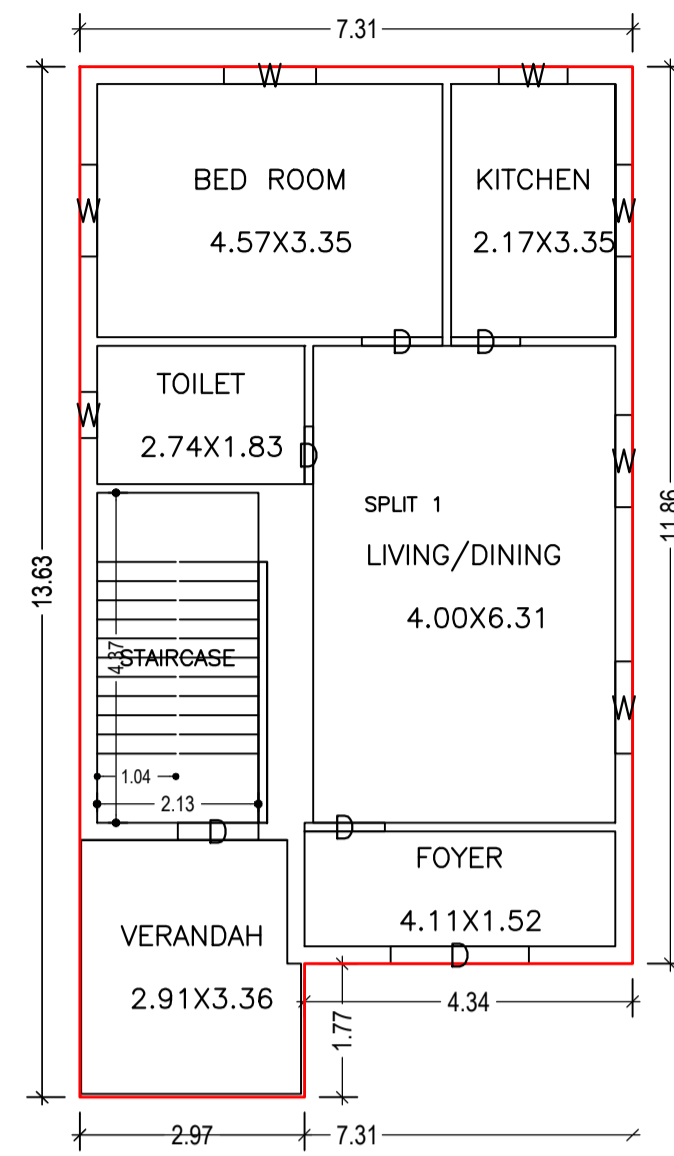
FAR & Tenement Details (Table 4c-1)

Building	No. of Same Bldg	Total Built Up Area (Sq.mt.)	Proposed FAR Area (Sq.mt.) Resi.	Total FAR Area (Sq.mt.)	Total Consumed Additional FAR Area (Sq.mt.)	Tnmt (No.)
A1 (EQBAL)	1	178.70	178.70	178.70	178.70	01
Grand Total :	1	178.70	178.70	178.70	178.70	01

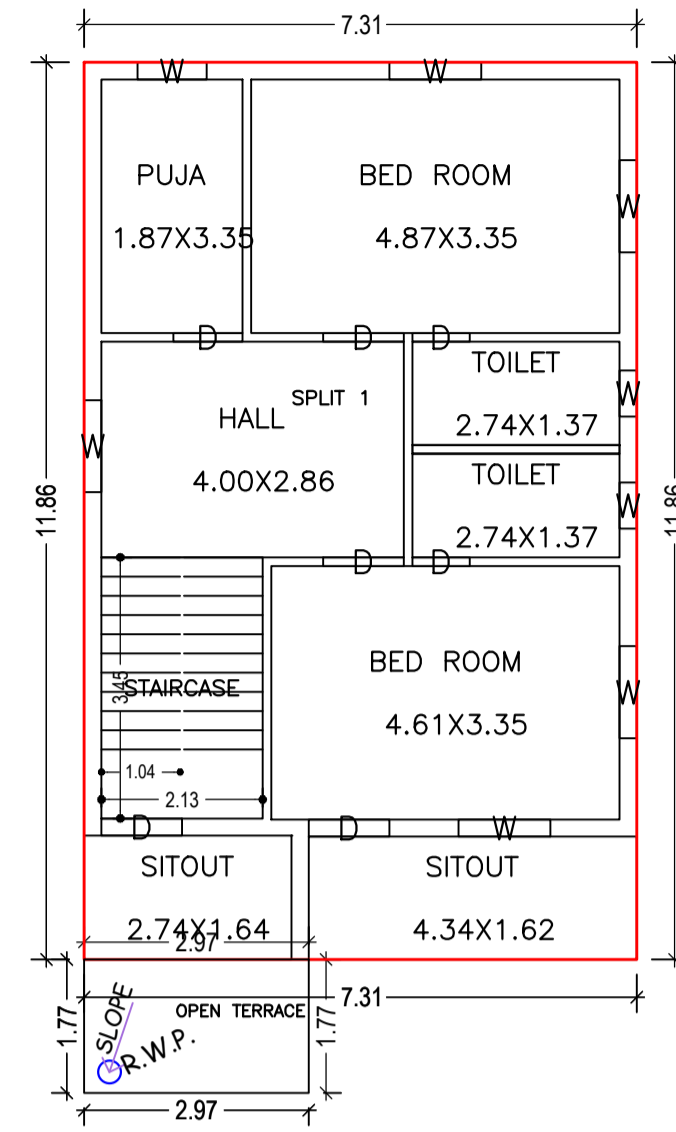
LTP NAME AND SIGNATURE	STRUCTURAL ENG'S NAME AND SIGNATURE	BUILDER NAME AND SIGNATURE	DIGITAL SIGNATURE
RAM PRATAP SINGH MADA/ARC/0024/2019			

Proposal Basic Information

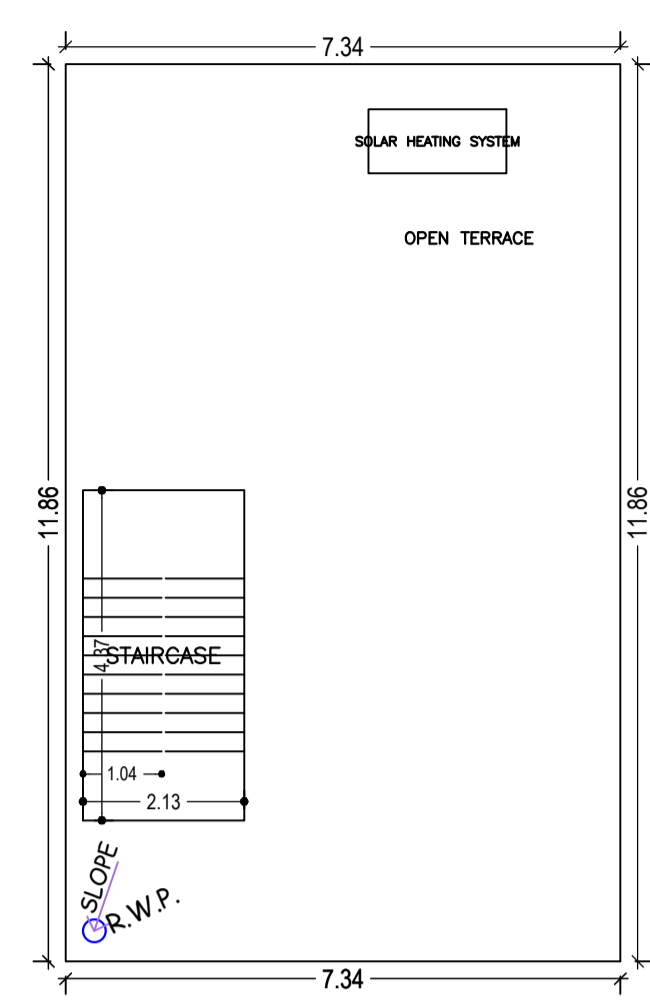
Proposal File No.	MADA/BP/0124/2021
Owner Name	SRI. EQBAL SINGH
Khata No	OLD KHATA NO-74, NEW KHATA NO-189
Plot No	OLD PLOT NO. 340, NEW PLOT NO. 1120
Village Name	Amaghata
Use	Residential
SubUse	Bungalow/ Dwelling / Non Apartment



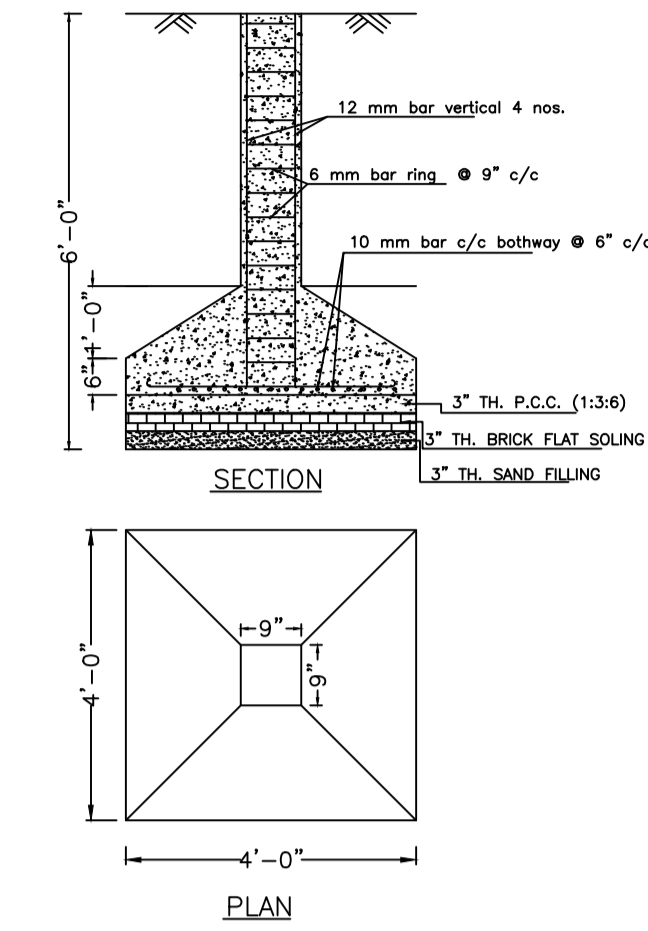
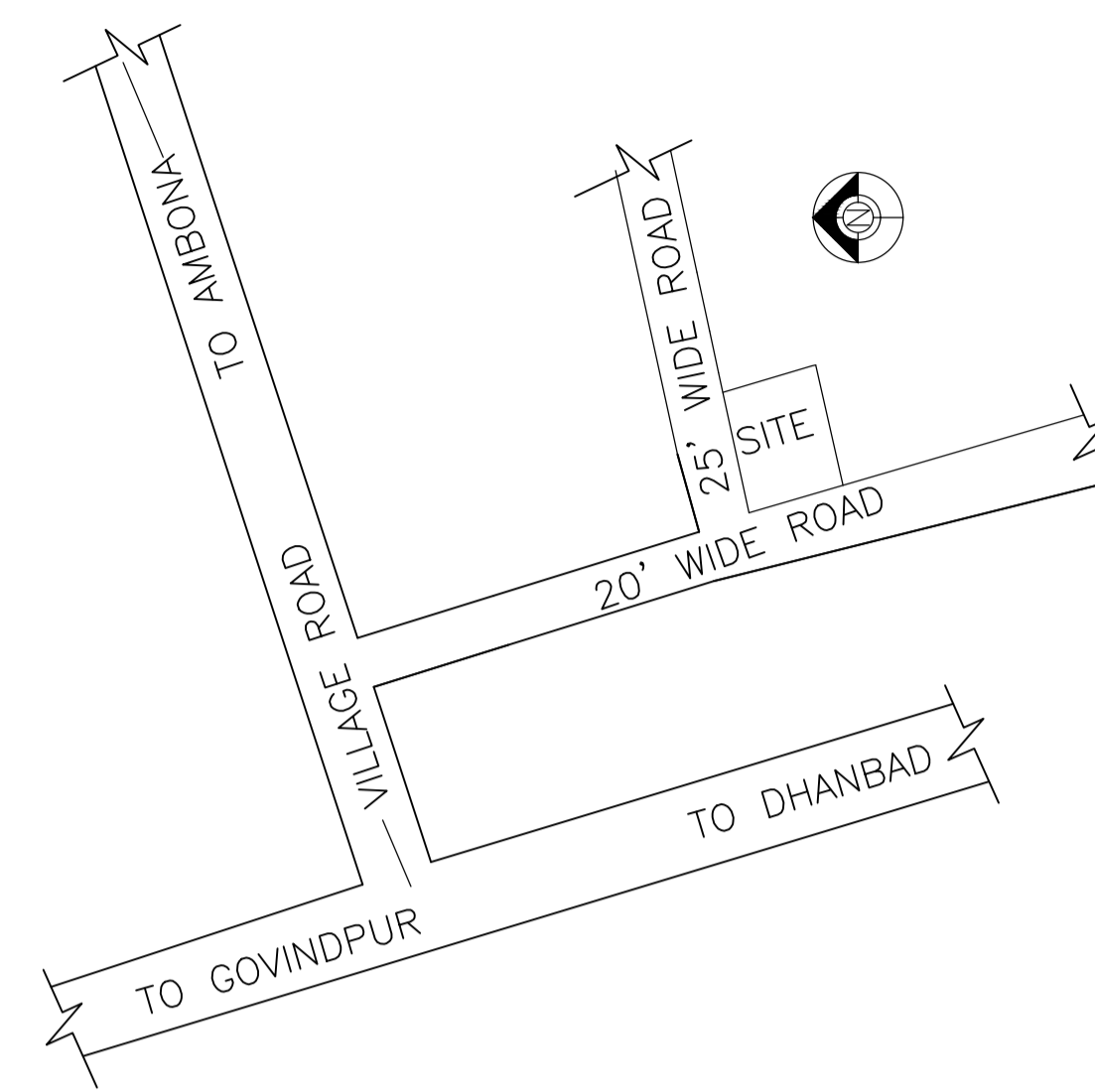
GROUND FLOOR PLAN
(Proposed)
(SCALE 1:100)



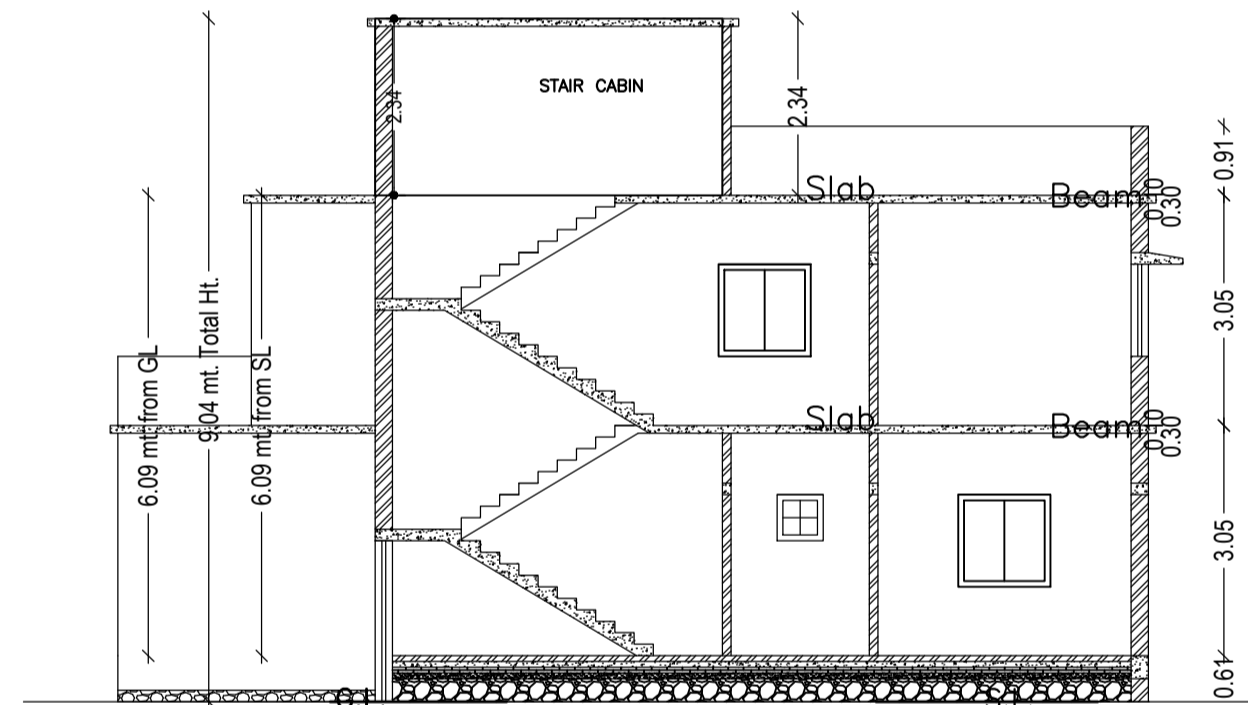
FIRST FLOOR PLAN
(Proposed)
(SCALE 1:100)



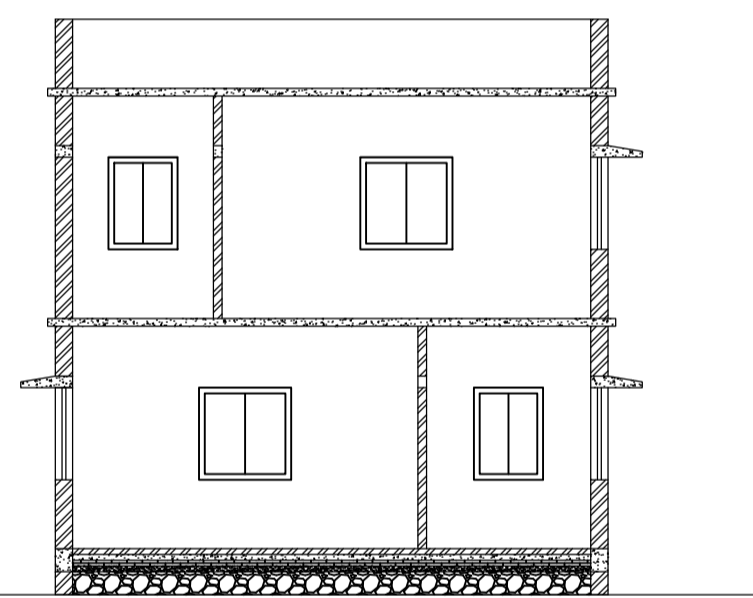
TERRACE FLOOR PLAN
(SCALE 1:100)



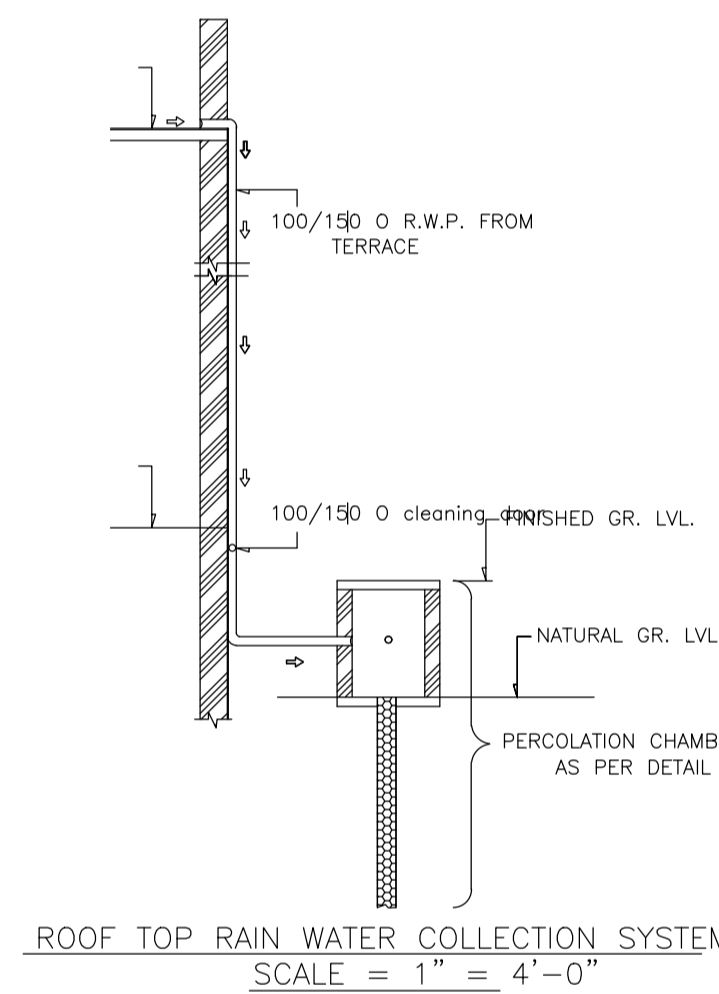
DETAILS OF COLUMN FOUNDATION
SCALE - 1" = 2'-0"



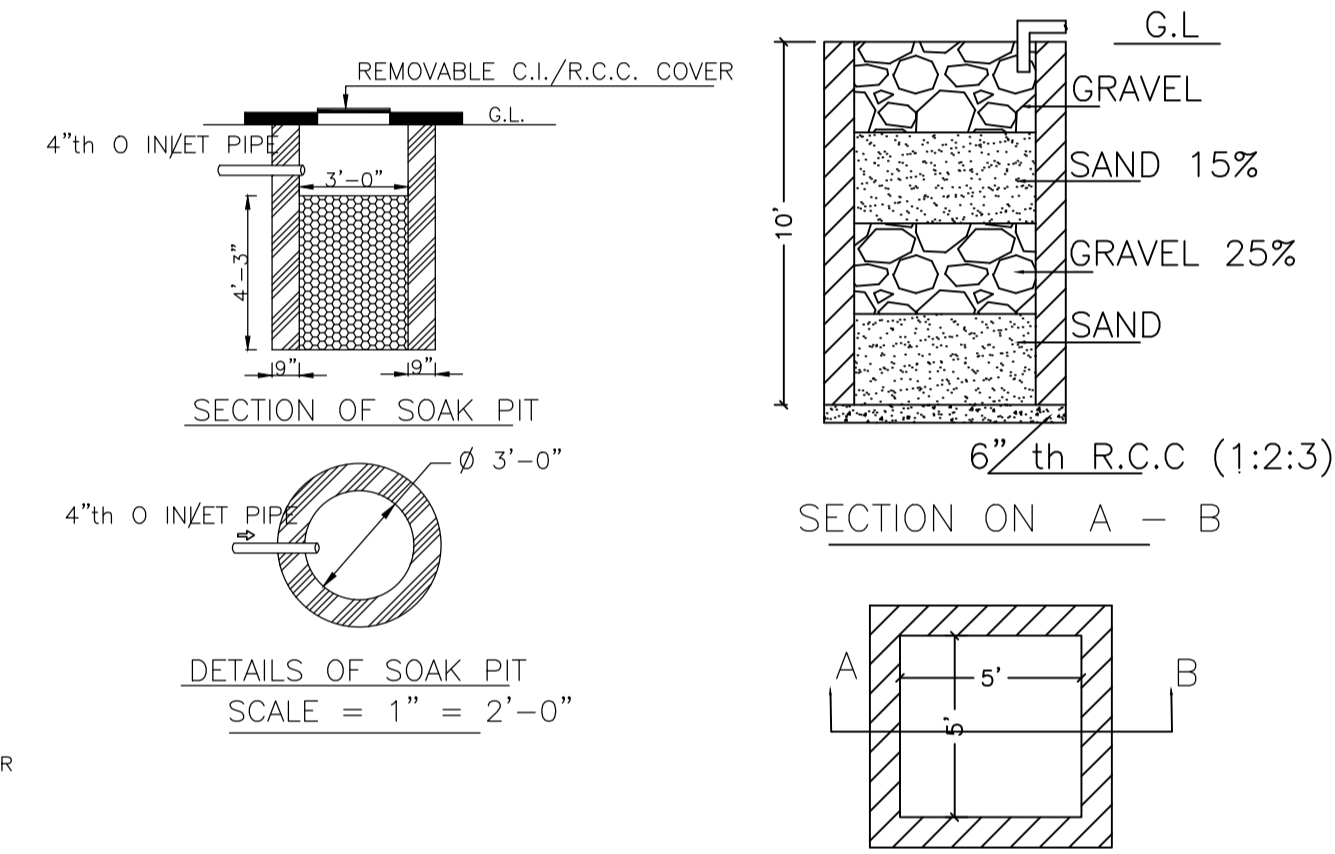
SECTION - XX'
SCALE - 1" = 8'-0"



SECTION - YY'
SCALE - 1" = 8'-0"

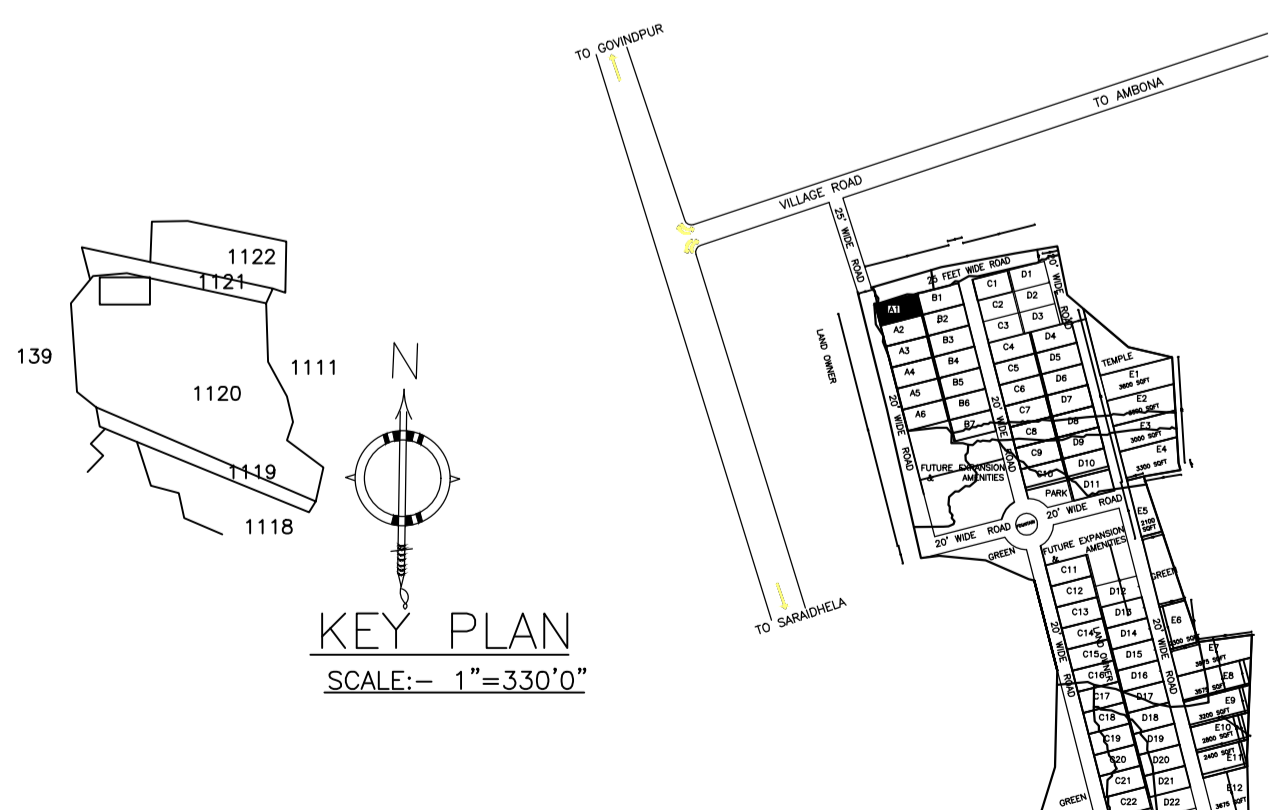


ROOF TOP RAIN WATER COLLECTION SYSTEM
SCALE = 1" = 4'-0"

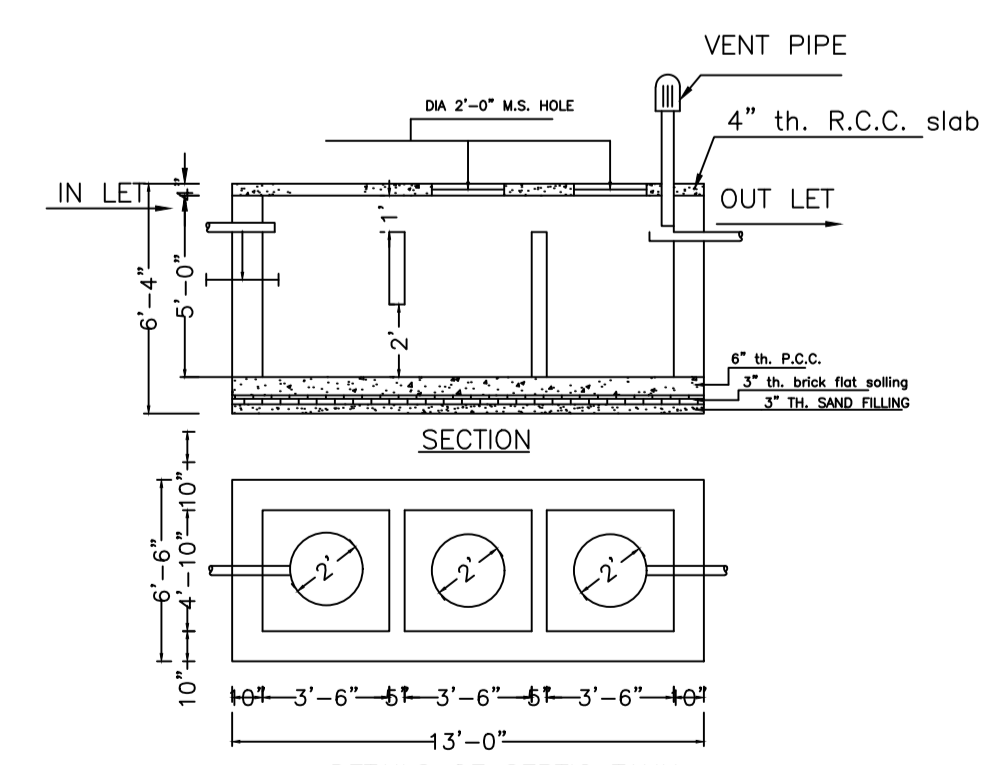


DETAILS OF SOAK PIT
SCALE = 1" = 2'-0"

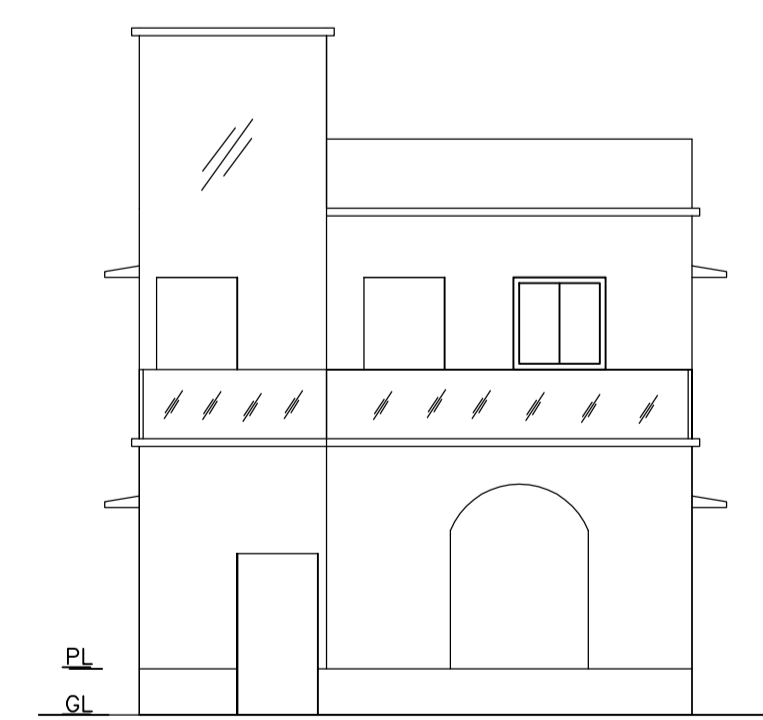
DETAILS DRAWING OF RAIN WATER HARVESTING
SCALE:- 1"=2'-0"



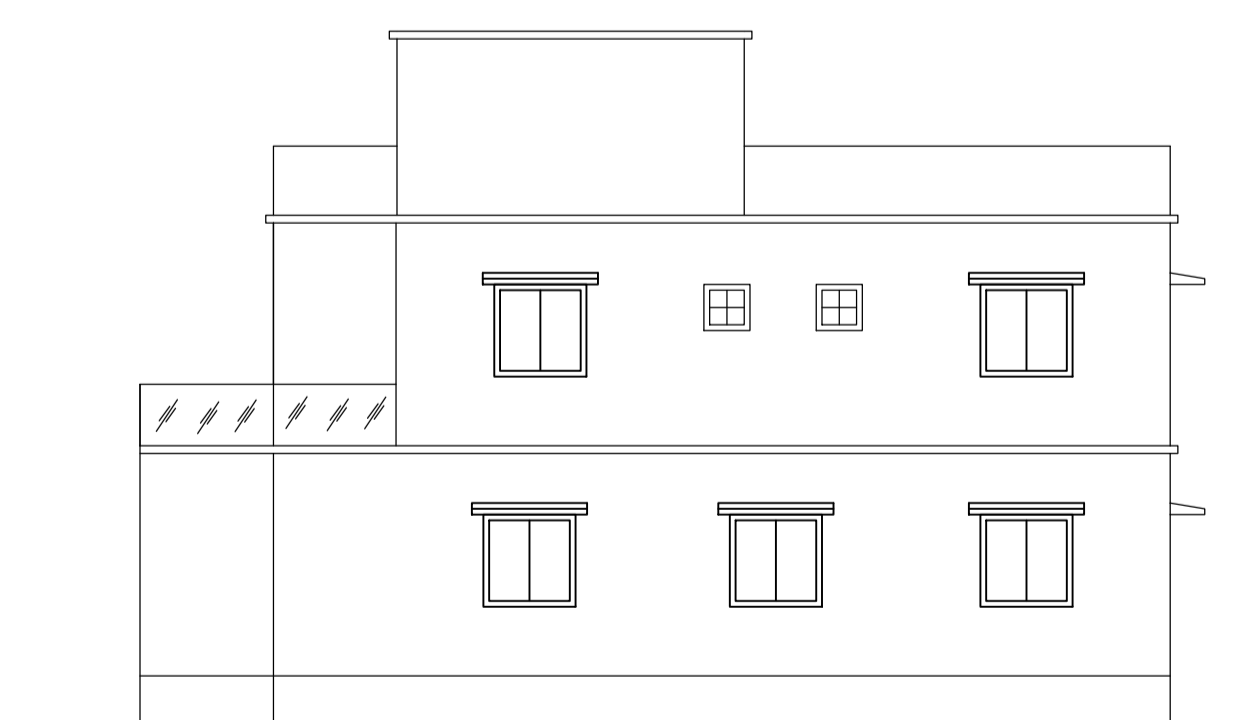
KEY PLAN
SCALE:- 1"=330'0"



DETAILS OF SEPTIC TANK
SCALE - 1" = 4'-0"



FRONT ELEVATION
SCALE - 1" = 8'-0"



RIGHT SIDE ELEVATION
SCALE - 1" = 8'-0"

LTP NAME AND SIGNATURE	STRUCTURAL ENG'S NAME AND SIGNATURE	BUILDER NAME AND SIGNATURE	DIGITAL SIGNATURE
RAM PRATAP SINGH MADA/ARC/0024/2019			