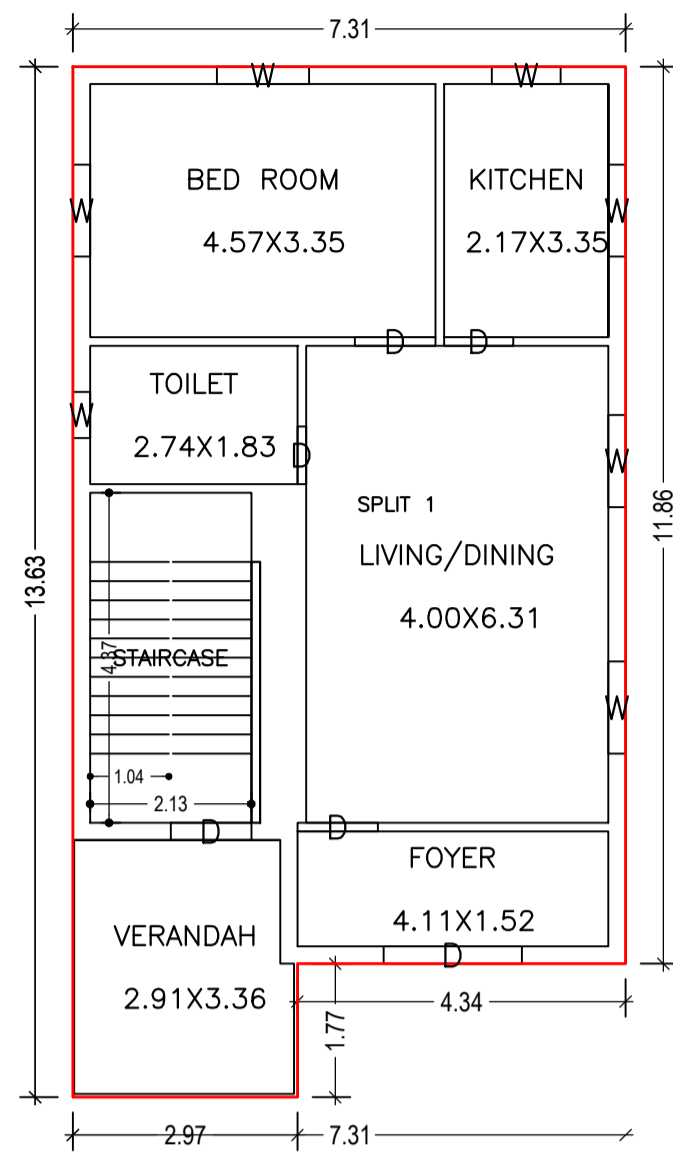
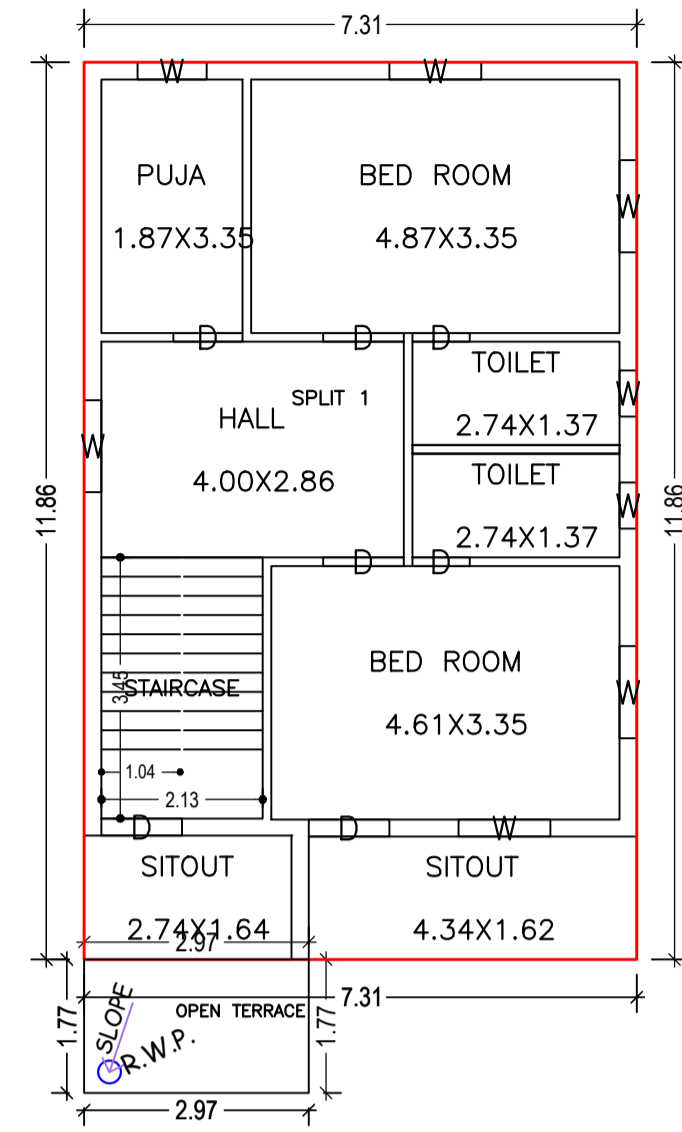


Proposal Basic Information

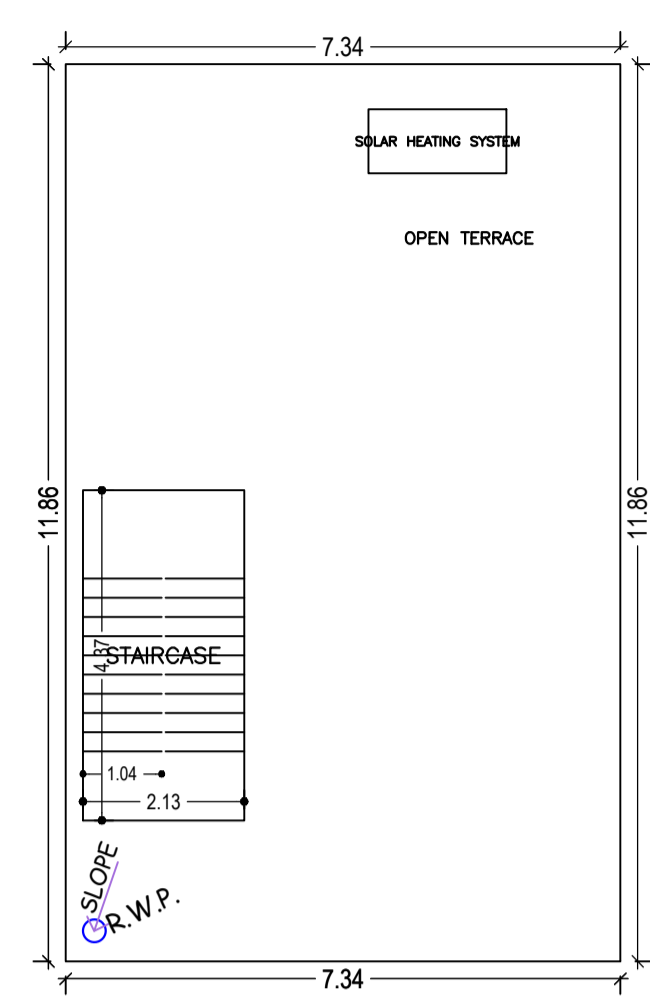
Proposal File No.	MADA/BP/0124/2021
Owner Name	SRI. EQBAL SINGH
Khata No	OLD KHATA NO-74, NEW KHATA NO-189
Plot No	OLD PLOT NO. 340, NEW PLOT NO. 1120
Village Name	Amaghata
Use	Residential
SubUse	Bungalow/ Dwelling / Non Apartment



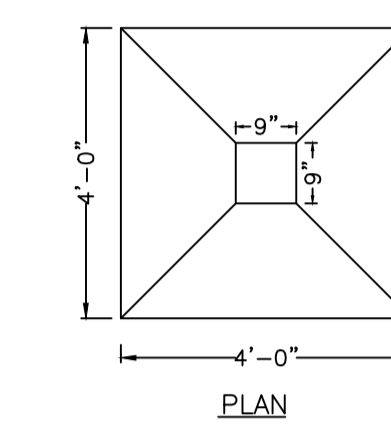
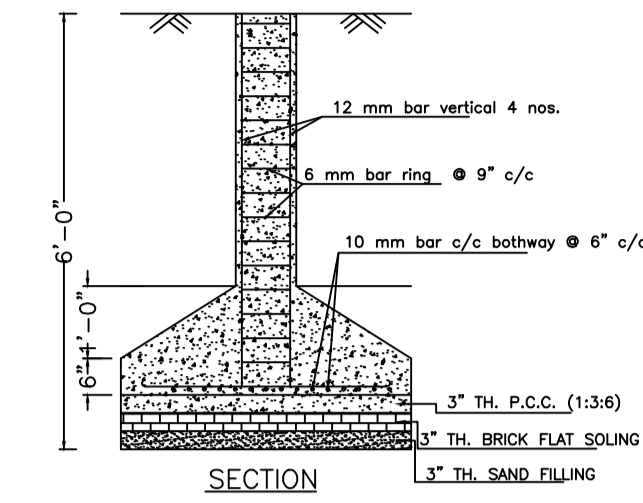
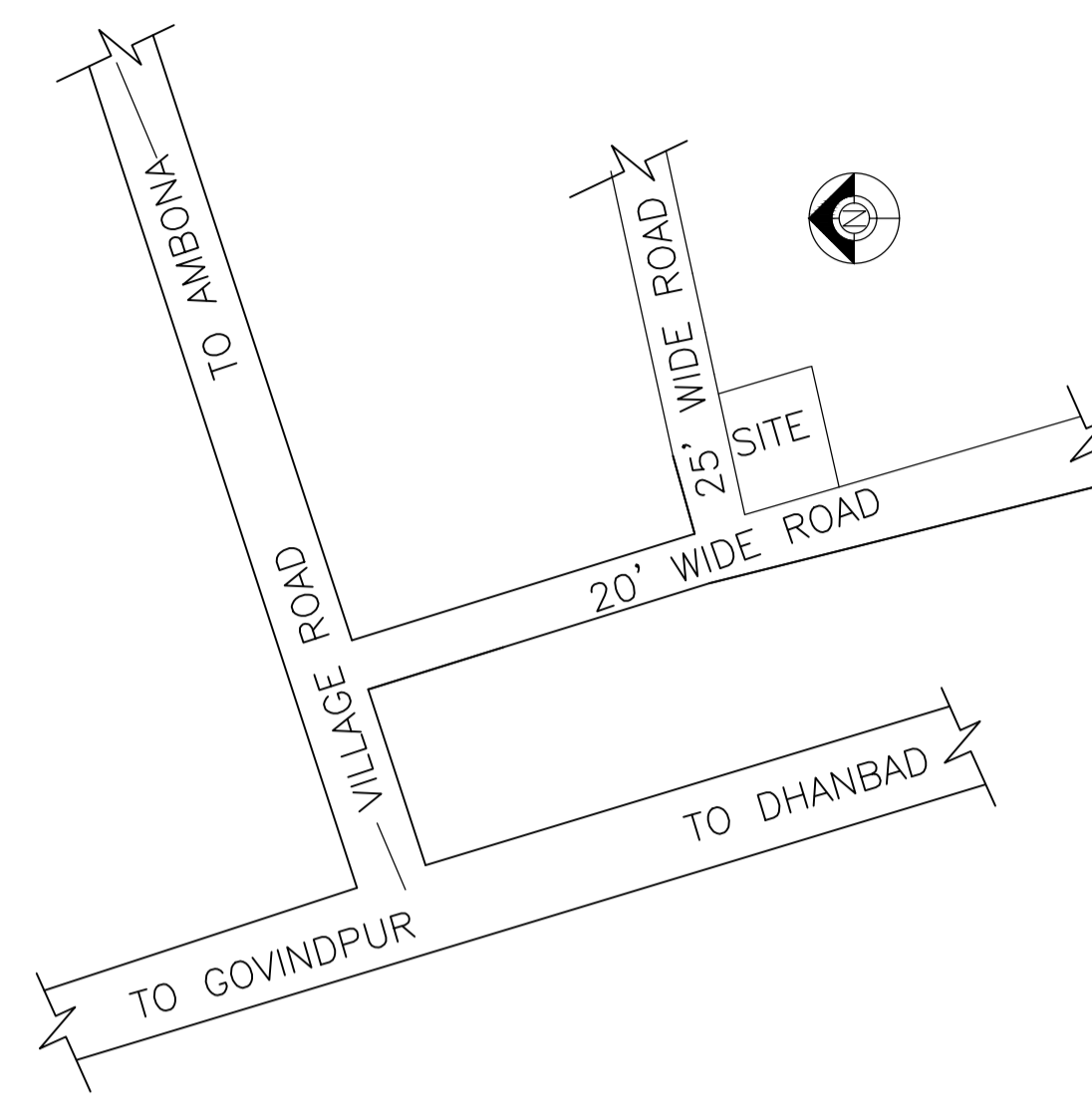
GROUND FLOOR PLAN
(Proposed)
(SCALE 1:100)



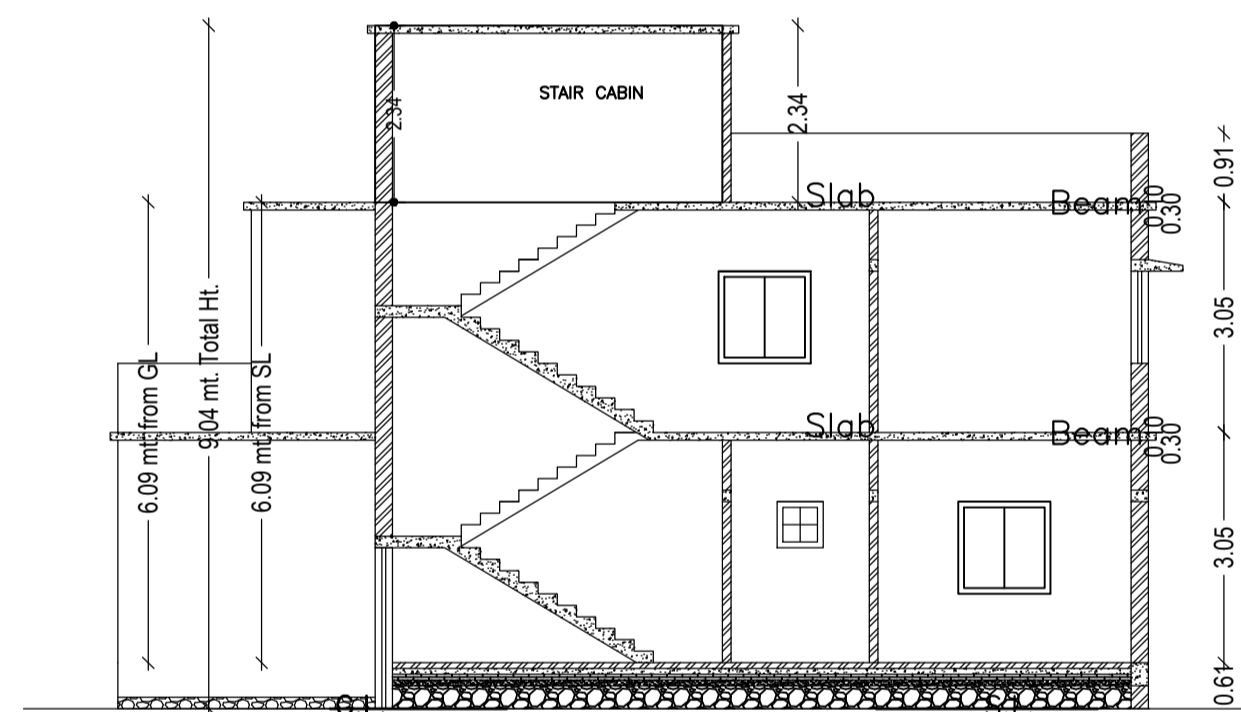
FIRST FLOOR PLAN
(Proposed)
(SCALE 1:100)



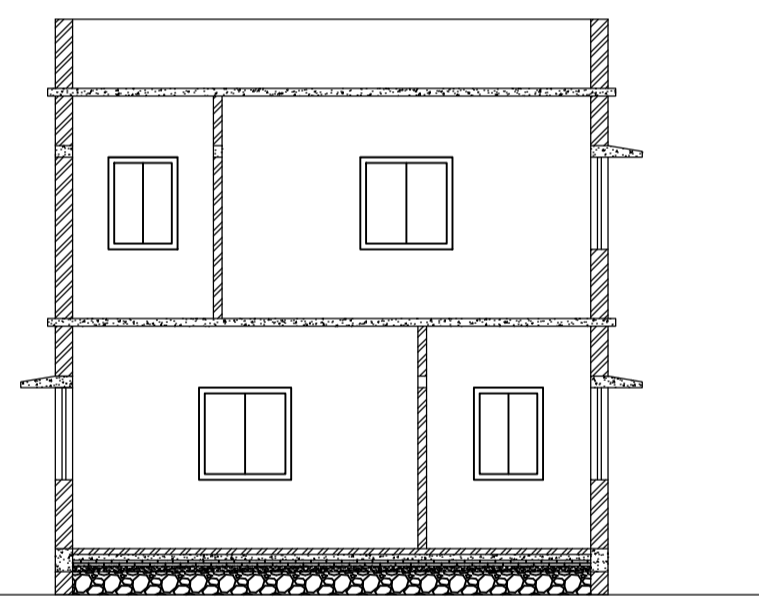
TERRACE FLOOR PLAN
(SCALE 1:100)



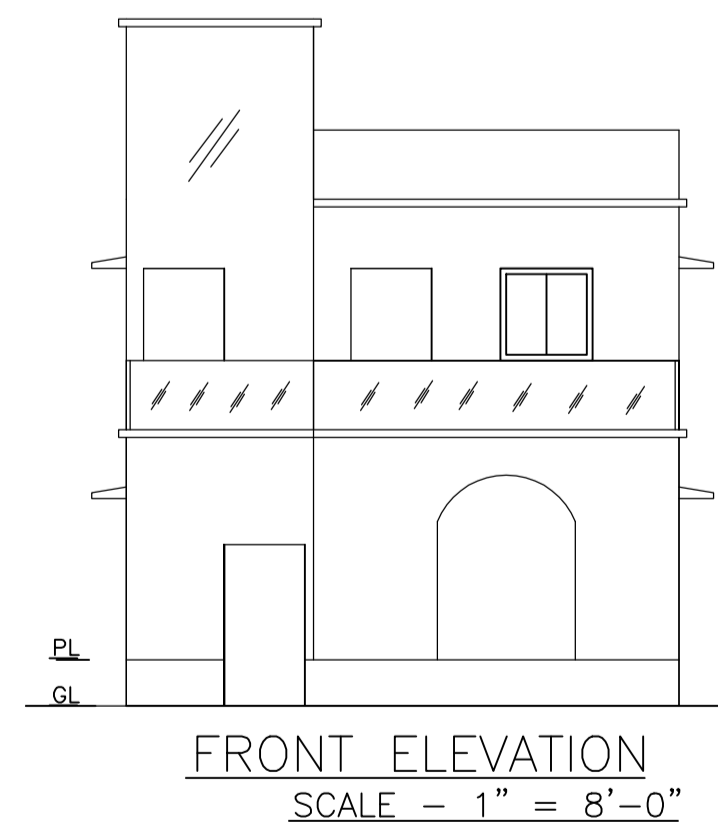
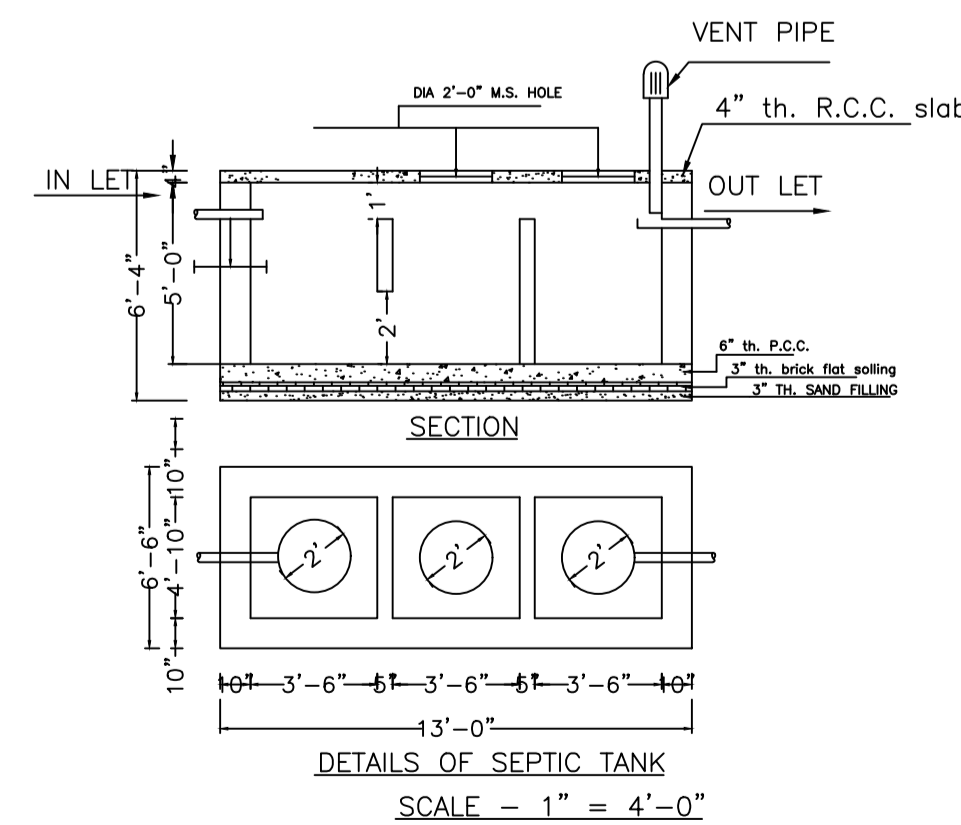
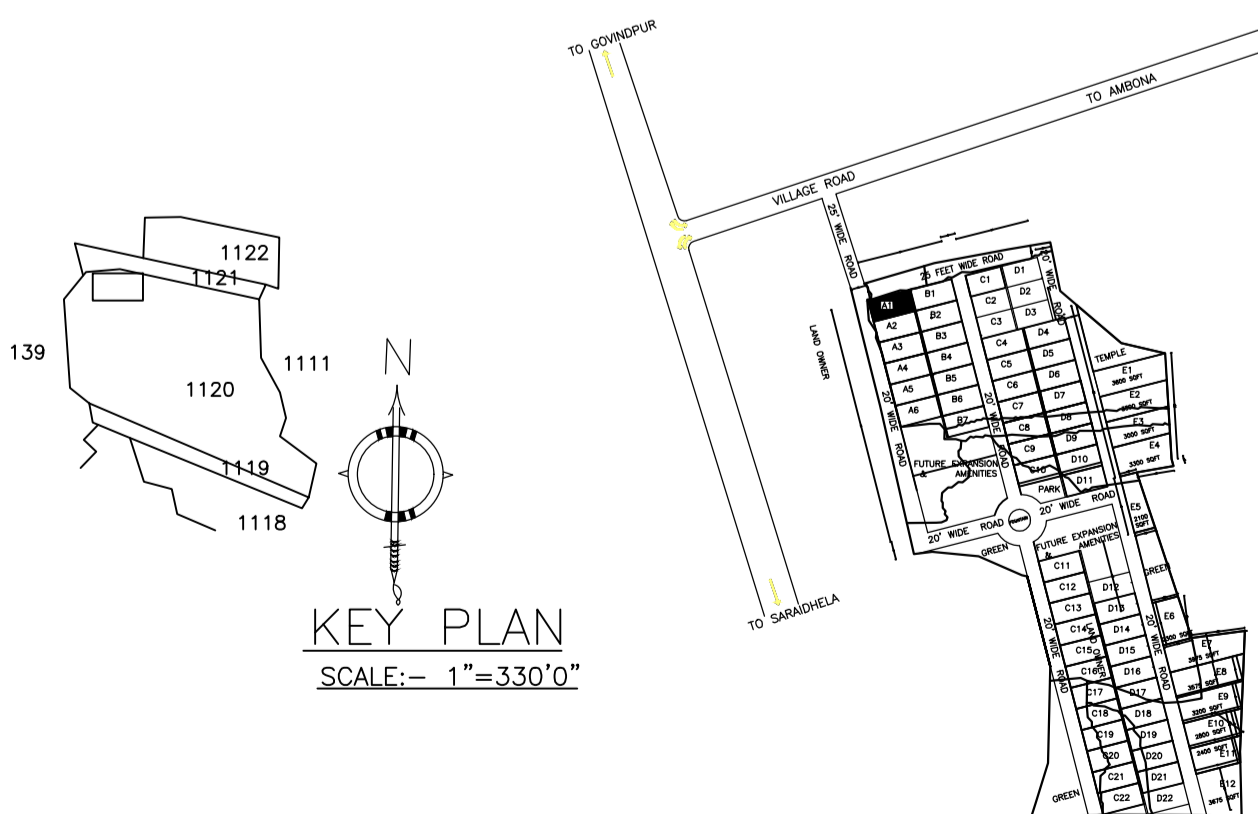
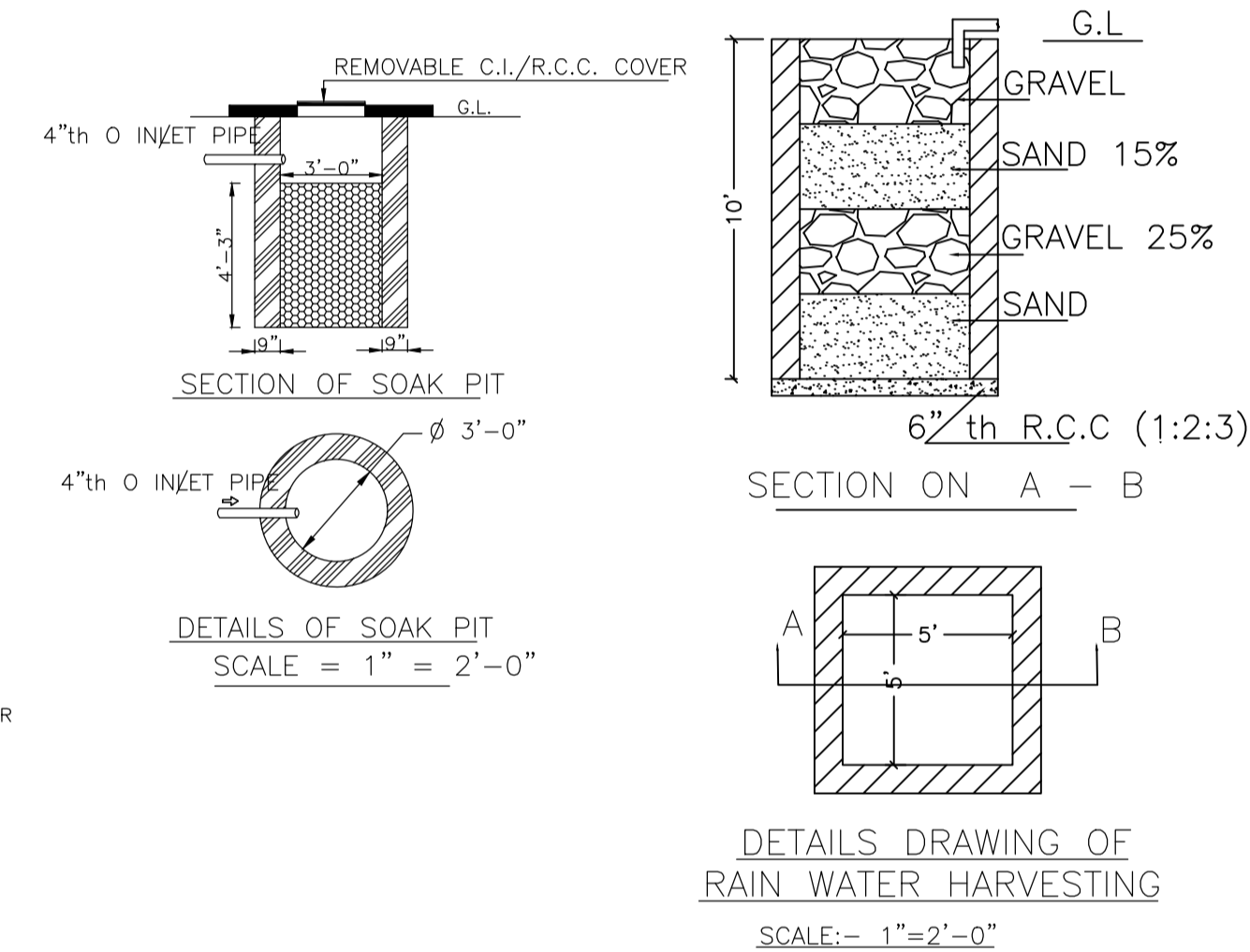
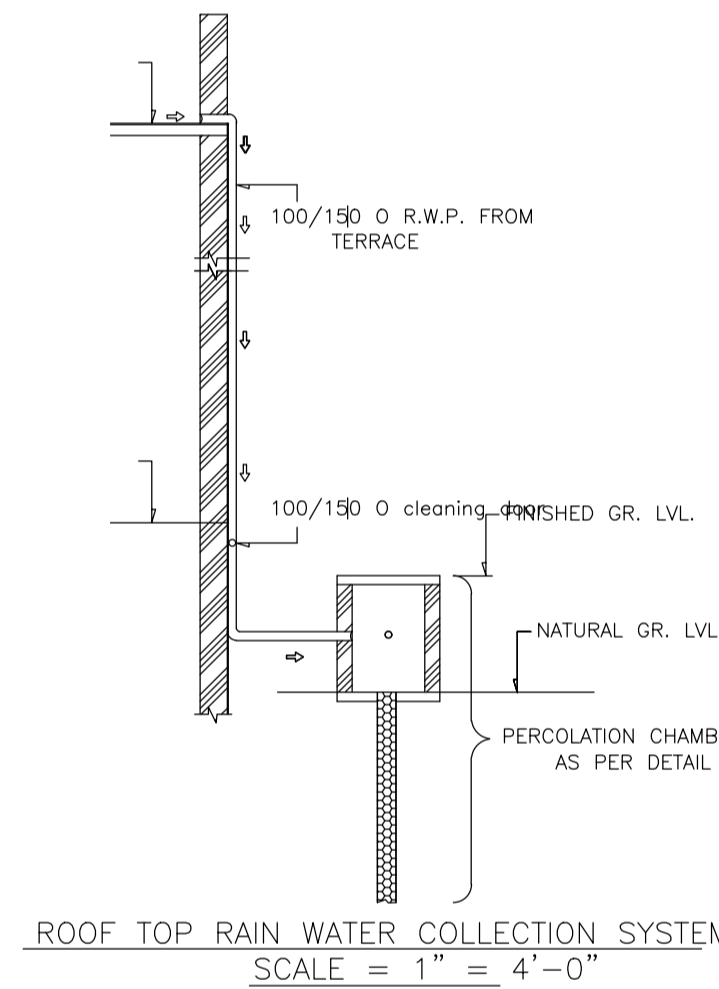
DETAILS OF COLUMN FOUNDATION
SCALE - 1" = 2'-0"



SECTION - XX'
SCALE - 1" = 8'-0"



SECTION - YY'
SCALE - 1" = 8'-0"



LTP NAME AND SIGNATURE RAM PRATAP SINGH MADA/ARC/0024/2019	STRUCTURAL ENG'S NAME AND SIGNATURE	BUILDER NAME AND SIGNATURE	DIGITAL SIGNATURE
--	-------------------------------------	----------------------------	-------------------