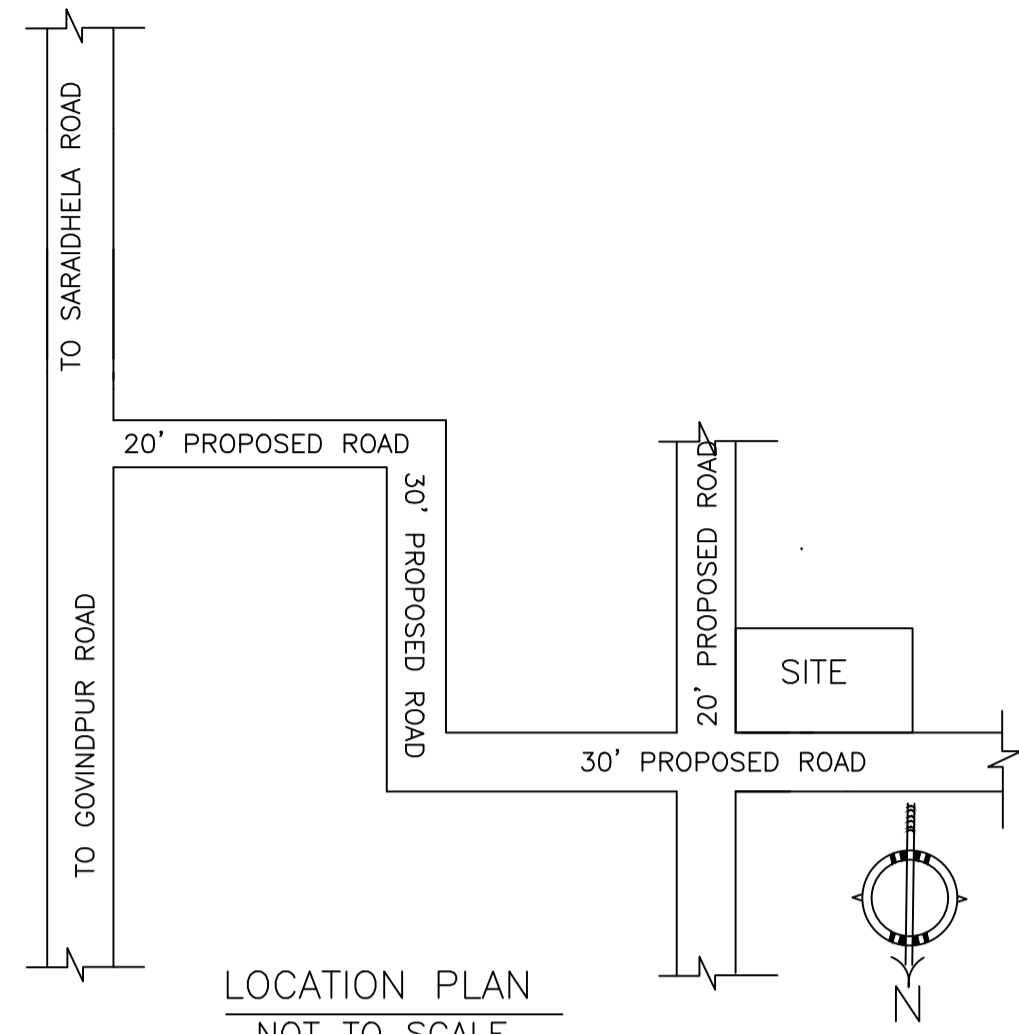
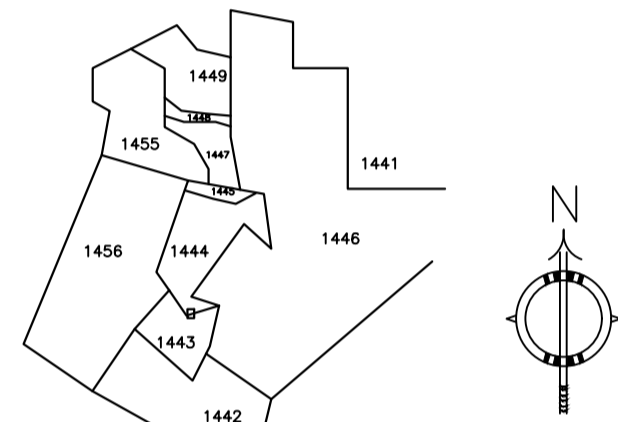


SITE PLAN

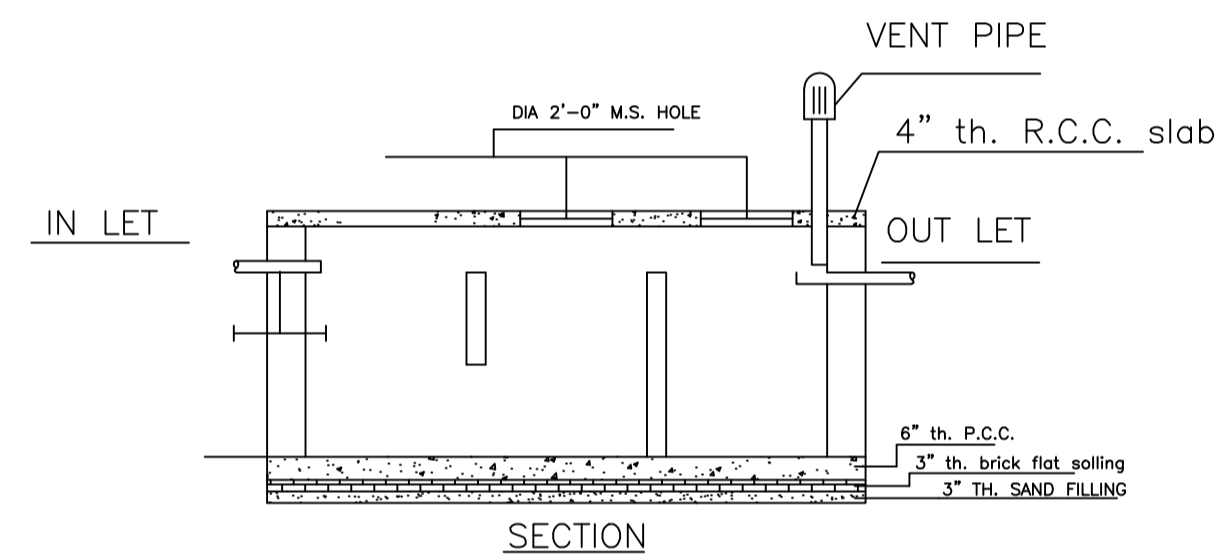
SCALE - 1" = 16'-0"
SITE PLAN



LOCATION PLAN
NOT TO SCALE



KEY PLAN
SCALE:- 1"=330'0"



SECTION

DETAILS OF SEPTIC TANK
SCALE - 1" = 4'-0"

SCHEDULE OF DOOR:

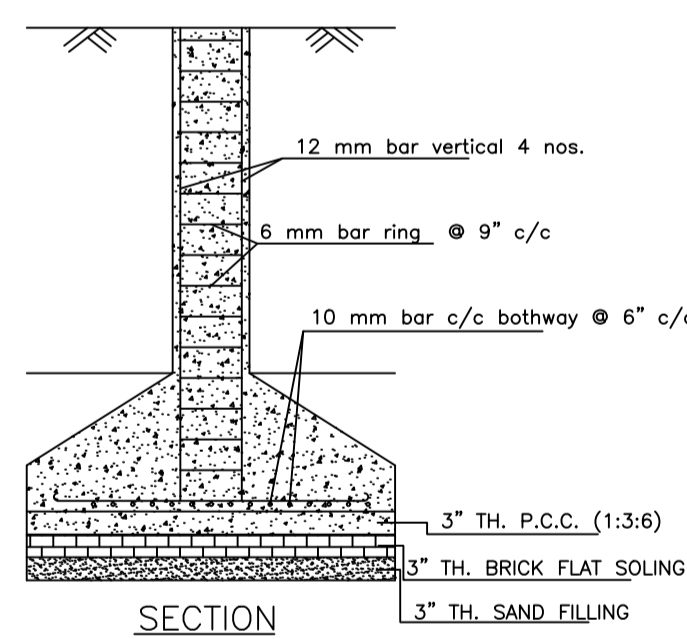
BUILDING NAME	NAME	LENGTH	HEIGHT	NOS
A (MANJULA)	D	0.76	2.10	04
A (MANJULA)	D	0.91	2.10	03
A (MANJULA)	D	0.94	2.10	01
A (MANJULA)	D	1.07	2.10	03
A (MANJULA)	D	1.32	2.10	01

SCHEDULE OF WINDOW/VENTILATION:

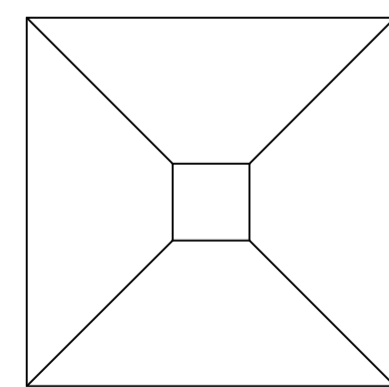
BUILDING NAME	NAME	LENGTH	HEIGHT	NOS
A (MANJULA)	W	0.61	1.20	03
A (MANJULA)	W	0.91	1.20	04
A (MANJULA)	W	1.22	1.20	03
A (MANJULA)	W	1.52	1.20	07
A (MANJULA)	W	1.54	1.20	01

Building :A (MANJULA)

Floor Name	Total Built Up Area (Sq.mt.)	Proposed FAR Area (Sq.mt.) Resi.	Total FAR Area (Sq.mt.)	Total Consumed Additional FAR Area (Sq.mt.)	Tnmt (No.)
Ground Floor	72.60	72.60	72.60	72.60	01
First Floor	72.60	72.60	72.60	72.60	00
Terrace Floor	0.00	0.00	0.00	0.00	00
Total :	145.20	145.20	145.20	145.20	01
Total Number of Same Buildings :	1				
Total :	145.20	145.20	145.20	145.20	01

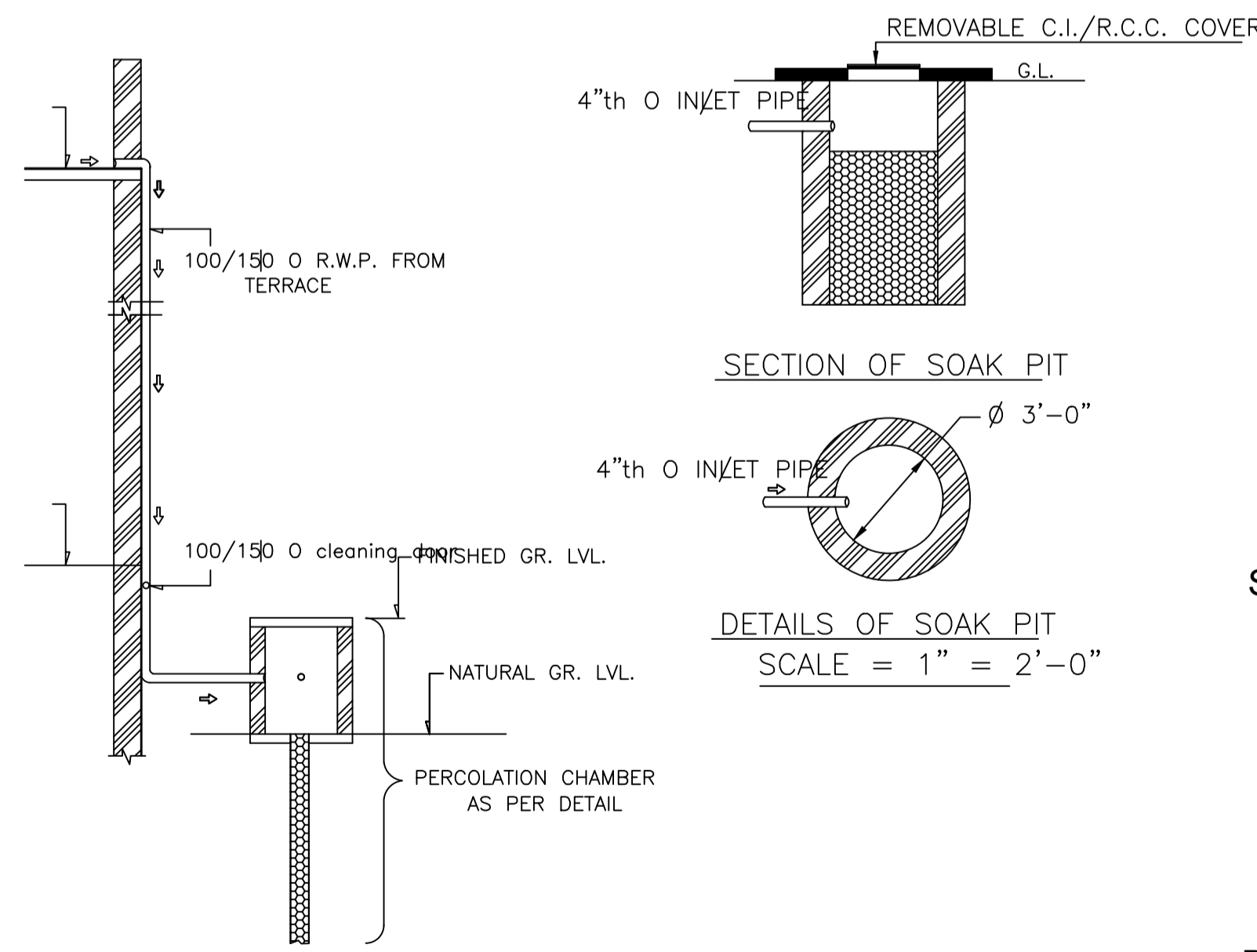


SECTION

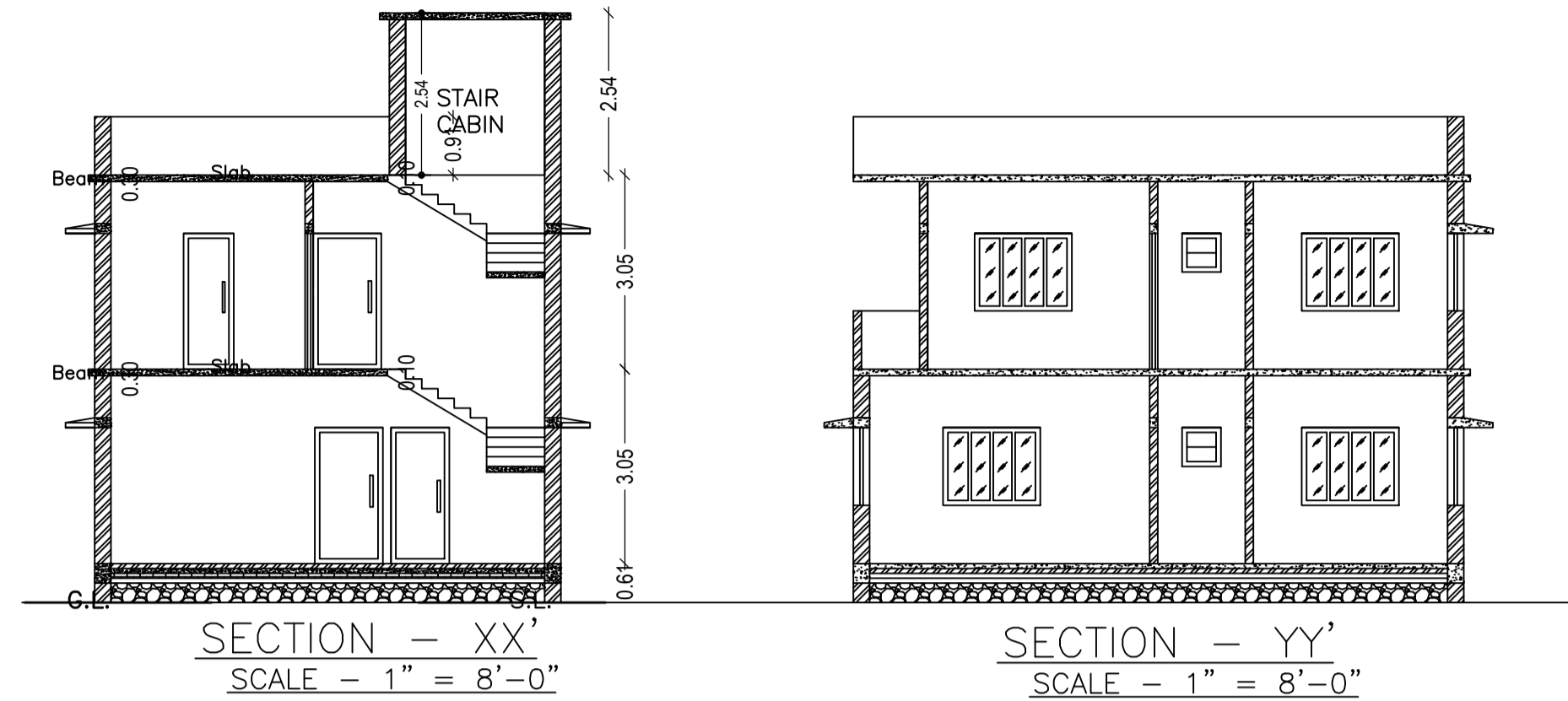


PLAN

DETAILS OF COLUMN FOUNDATION
SCALE - 1" = 2'-0"

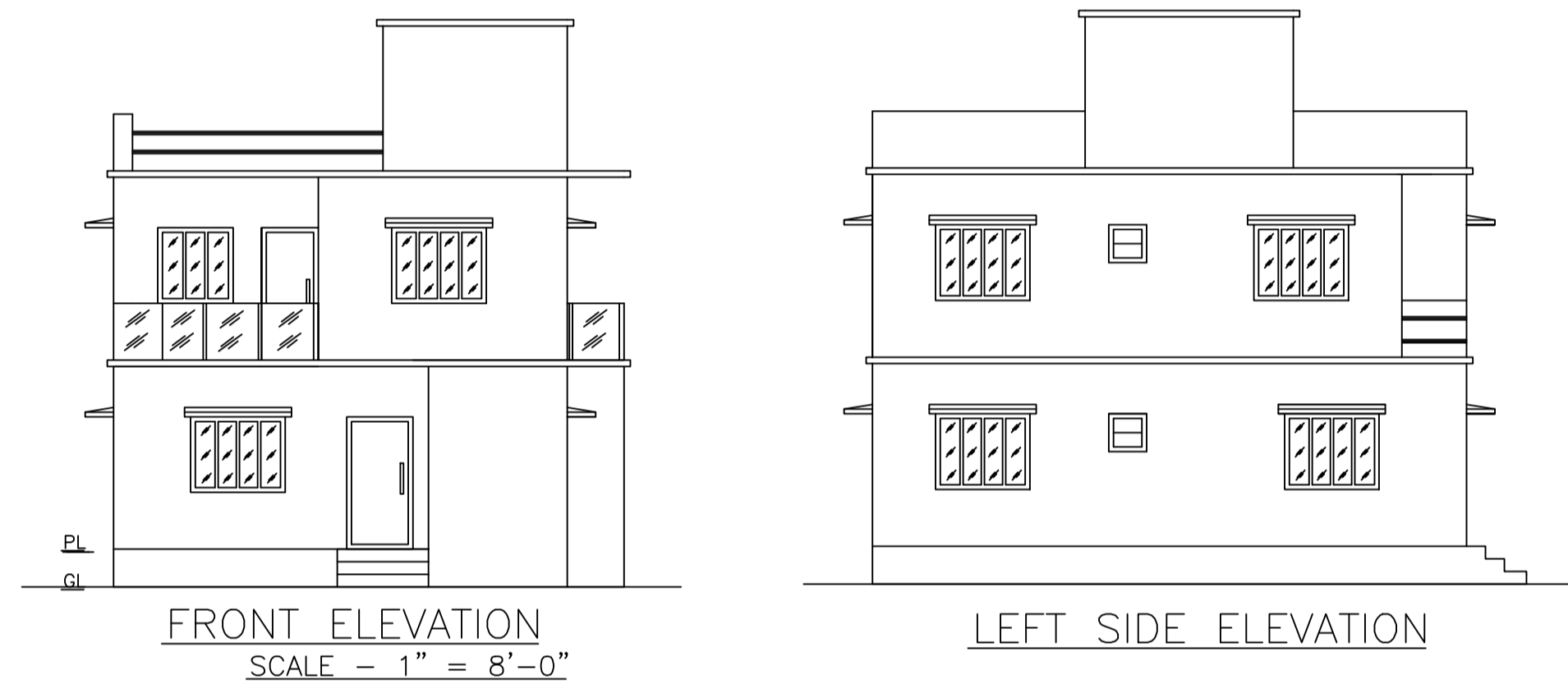


ROOF TOP RAIN WATER COLLECTION SYSTEM
SCALE = 1" = 4'-0"



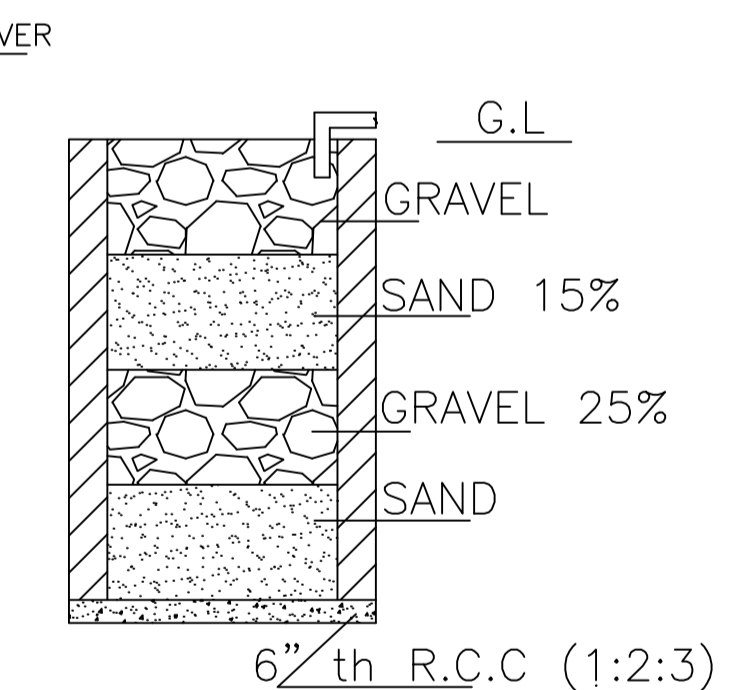
SECTION - XX'
SCALE - 1" = 8'-0"

SECTION - YY'
SCALE - 1" = 8'-0"



FRONT ELEVATION
SCALE - 1" = 8'-0"

LEFT SIDE ELEVATION



SECTION ON A - B

DETAILS DRAWING OF RAIN WATER HARVESTING
SCALE:- 1"=2'-0"

Proposal Basic Information

Proposal File No.	MADA/BP/0118/2021
Owner Name	SMT. MANJULA KUMARI
Khata No	OLD KHATA NO-69,NEW KHATA NO-134
Plot No	OLD PLOT NO. 496 & 494, NEW PLOT NO. 1444 & 1443
Village Name	Jialgora
Use	Residential
SubUse	Bungalow/ Dwelling / Non Apartment

AREA STATEMENT MINERAL AREA DEVELOPMENT AUTHORITY

VERSION NO.: 1.0.55
VERSION DATE: 16/10/2020

PROJECT DETAIL:

Region: JHARKHAND URBAN LOCAL BODIES	Plot Use: Residential
District: DHANBAD	Plot SubUse: Bungalow/ Dwelling / Non Apartment
Authority: MINERAL AREA DEVELOPMENT AUTHORITY	PlotNearby/ReligiousStructure: NA
Inward No: MADA/BP/0118/2021	Plot/SubPlot No: OLD PLOT NO. 496 & 494, NEW PLOT NO. 1444 & 1443
Application Type: General Proposal	North: Road Width - 9.14
Project Type: Building Permission	South: Plot No. - SAME PLOT
Nature of Development: New	East: Road Width - 6.10
Location of Development Area: Old Area	West: Plot No. - SAME PLOT

AREA DETAILS:

AREA OF PLOT (Minimum)	(A)	SQ.MT.
NET AREA OF PLOT(Gross Plot Area - Deduction from Gross Plot area)	(A-Deductions)	119.61
Deduction for Balance Plot Area(from Gross Plot Area)		
Common Plot		12.10
Total		12.10
BALANCE AREA OF PLOT(Net Plot Area - Recreational/Amenity space)	(A-Deductions)	107.50
PLOT AREA FOR COVERAGE(Net Plot Area)	(A-Deductions)	119.61
Plot Area for FAR (Net Plot Area + Road Widening Area)	(A-Deductions)	119.61

COVERAGE CHECK

Permissible Coverage area (70.00 %)	83.73
Proposed Coverage Area (60.70 %)	72.60
Total Prop. Coverage Area (60.70 %)	72.60
Balance coverage area (9.31 %)	11.13

FAR CHECK

Perm. FAR Area (2.50)	299.02
Total Perm. FAR area	299.02
Residential FAR	145.21
Proposed FAR Area	145.21
Total Proposed FAR Area	145.21
Consumed FAR (Factor)	1.21
Balance FAR Area	153.81

BUILT UP AREA CHECK

Total Proposed BuiltUp Area	145.20
-----------------------------	--------

ARCHITECT (Regd) RAM PRATAP SINGH
ENGINEER (Regd)
SUPERVISOR (Regd)
OWNER (Regd) SMT. MANJULA KUMARI

DEVELOPMENT AUTHORITY LOCAL BODY

COLOR INDEX

PLOT BOUNDARY	Black
ABUTTING ROAD	Green
PROPOSED CONSTRUCTION	Red
COMMON PLOT	Yellow
ROAD WIDENING AREA	Blue
EXISTING (To be retained)	Light Blue
EXISTING (To be demolished)	Dark Blue

Buildingwise Floor FAR Details

Floor Name	Building Name A (MANJULA)		Total	
	Proposed Built Up Area (Sq.mt.)	Proposed FAR Area (Sq.mt.)	Total Proposed Built Up Area (Sq.mt.)	Total FAR Area (Sq.mt.)
Ground Floor	72.60	72.60	72.60	72.60
First Floor	72.60	72.60	72.60	72.60
Terrace Floor	0.00	0.00	0.00	0.00
Total :	145.20	145.20	145.20	145.20

Building USE/SUBUSE Details

Building Name	Building Use	Building SubUse	Building Structure
A (MANJULA)	Residential	Residential Bldg/Apartment	Non-Highrise

FAR & Tenement Details (Table 4c-1)

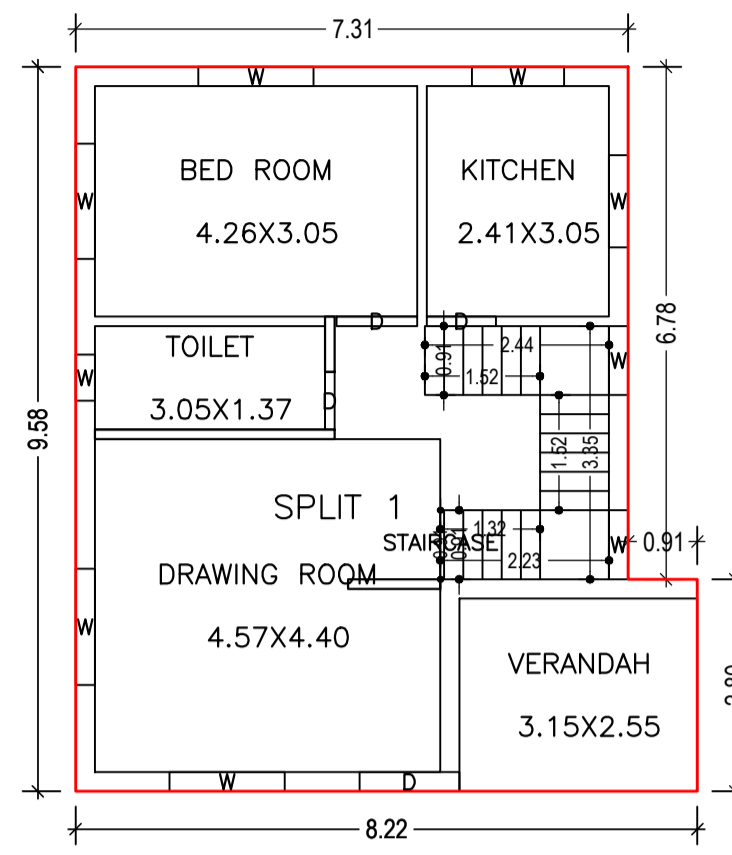
Building	No. of Same Bldg	Total Built Up Area (Sq.mt.)	Proposed FAR Area (Sq.mt.) Resi.	Total FAR Area (Sq.mt.)	Total Consumed Additional FAR Area (Sq.mt.)	Tnmt (No.)
A (MANJULA)	1	145.20	145.20	145.20	145.20	01
Grand Total :	1	145.20	145.20	145.20	145.20	01

UnitBUA Table for Building :A (MANJULA)

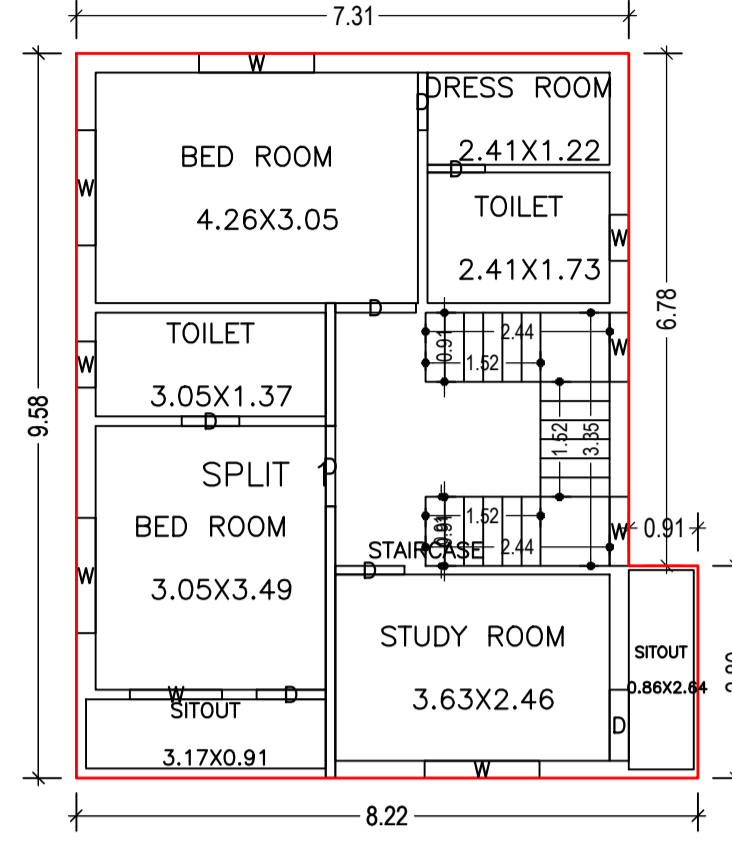
FLOOR	Name	UnitBUA Type	UnitBUA Area	Carpet Area	No. of Rooms	No. of Tenement
GROUND FLOOR PLAN	SPLIT 1	FLAT	145.21	143.90	5	1
FIRST FLOOR PLAN	SPLIT 1	FLAT	0.00	0.00	8	0
Total:	-	-	145.21	143.90	13	1

LTP NAME AND SIGNATURE	STRUCTURAL ENG'S NAME AND SIGNATURE	BUILDER NAME AND SIGNATURE	DIGITAL SIGNATURE
RAM PRATAP SINGH MADA/ARC/0024/2019			

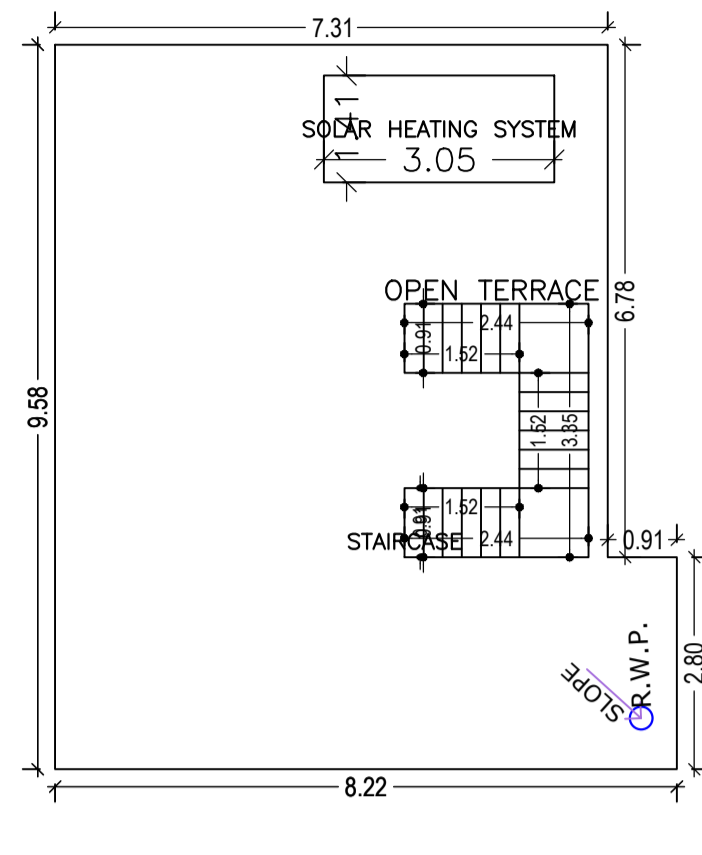
Proposal Basic Information	
Proposal File No.	MADA/BP/0118/2021
Owner Name	SMT. MANJULA KUMARI
Khata No	OLD KHATA NO-69,NEW KHATA NO-134
Plot No	OLD PLOT NO. 496 & 494, NEW PLOT NO. 1444 & 1443
Village Name	Jialgora
Use	Residential
SubUse	Bungalow/ Dwelling / Non Apartment



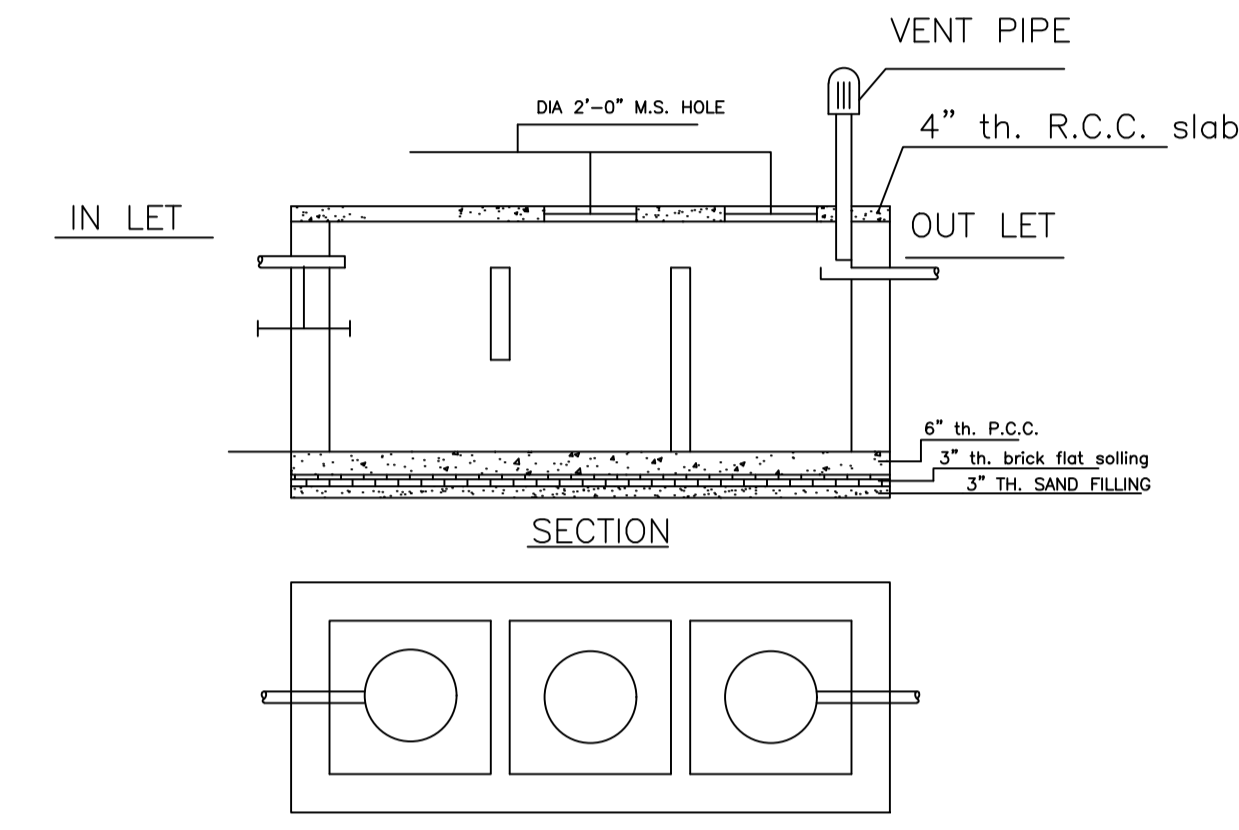
GROUND FLOOR PLAN
(Proposed)
(SCALE 1:100)



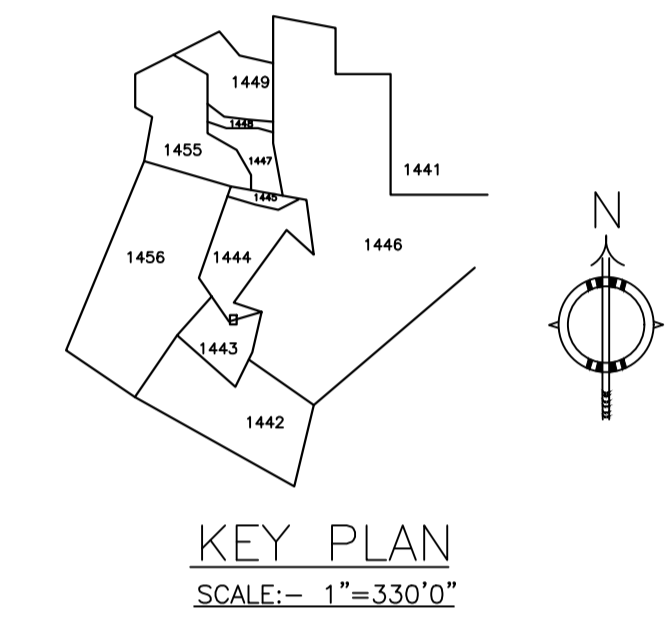
FIRST FLOOR PLAN
(Proposed)
(SCALE 1:100)



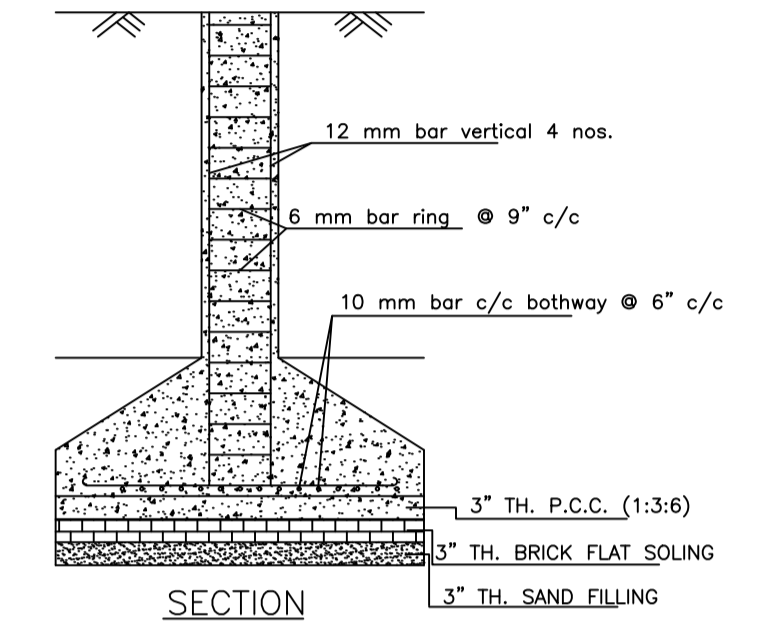
TERRACE FLOOR PLAN
(SCALE 1:100)



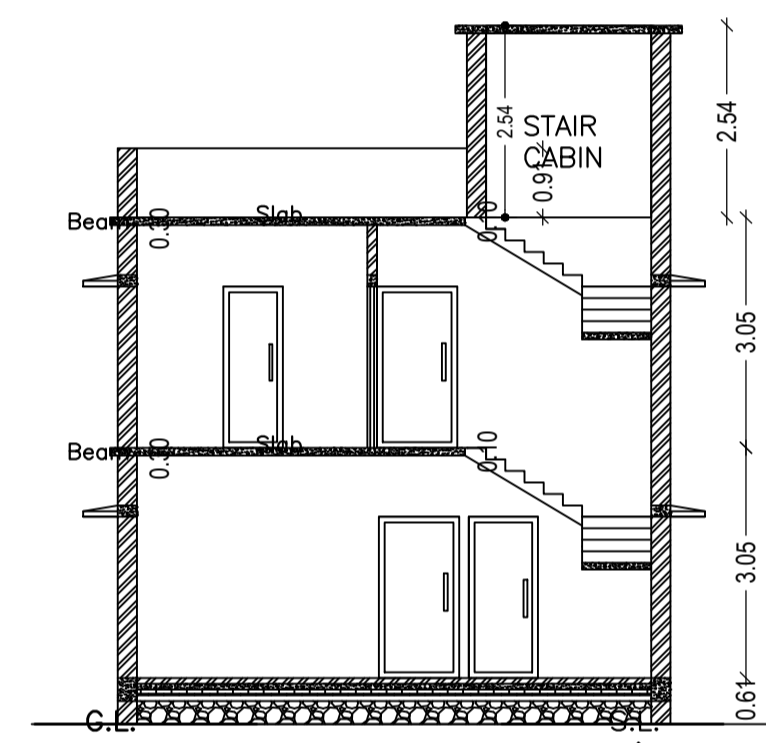
DETAILS OF SEPTIC TANK
SCALE - 1" = 4'-0"



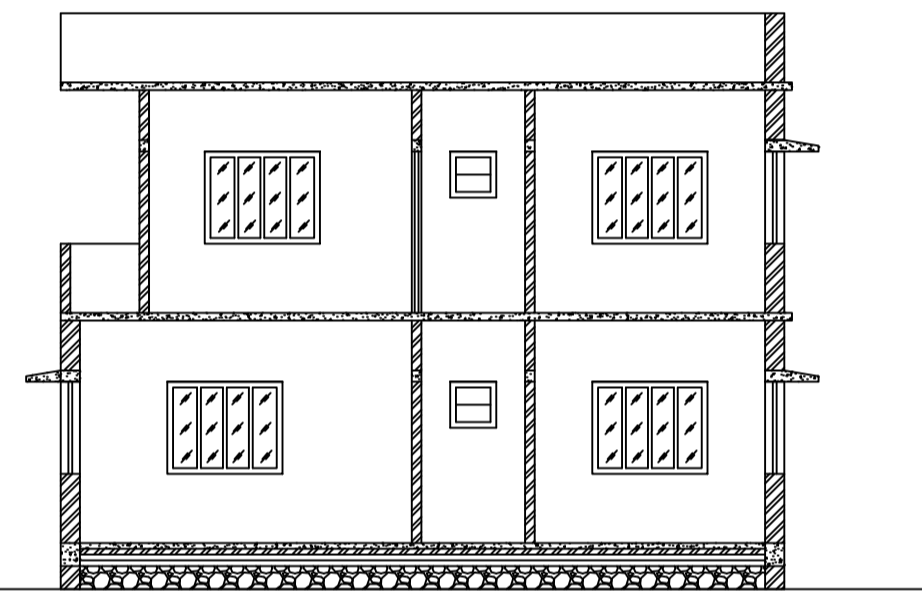
KEY PLAN
SCALE:- 1"=330'0"



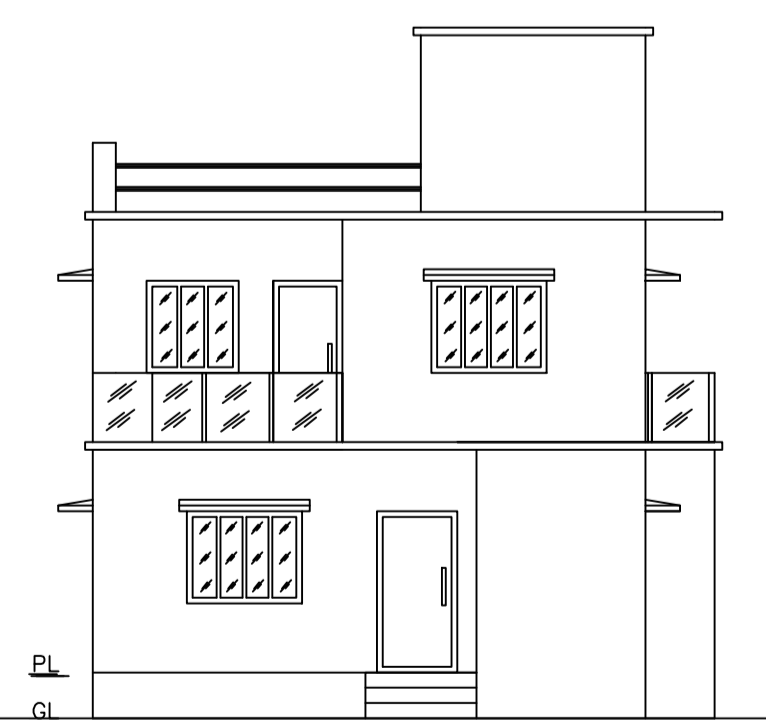
DETAILS OF COLUMN FOUNDATION
SCALE - 1" = 2'-0"



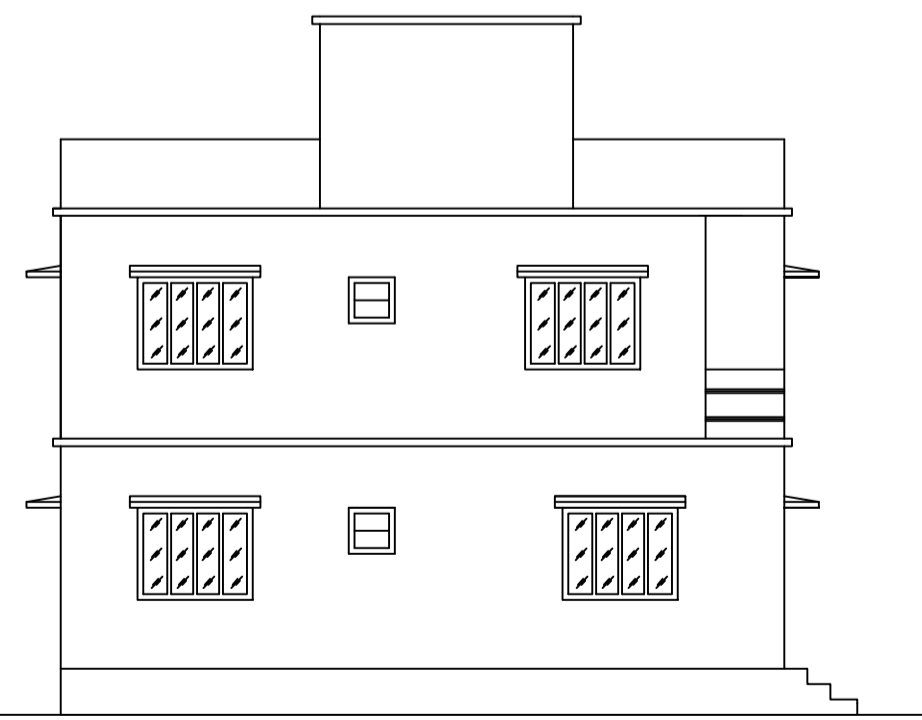
SECTION - XX'
SCALE - 1" = 8'-0"



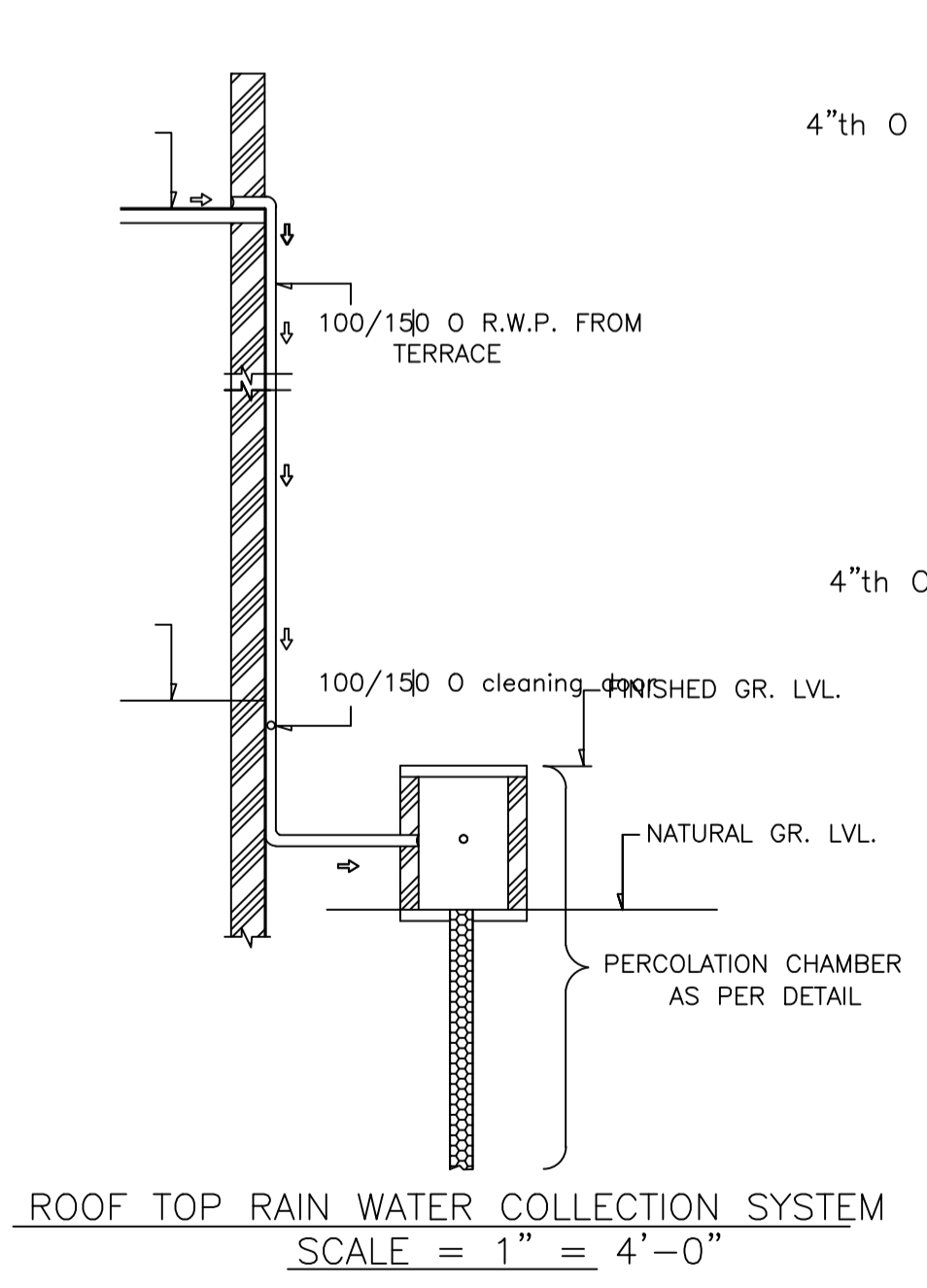
SECTION - YY'
SCALE - 1" = 8'-0"



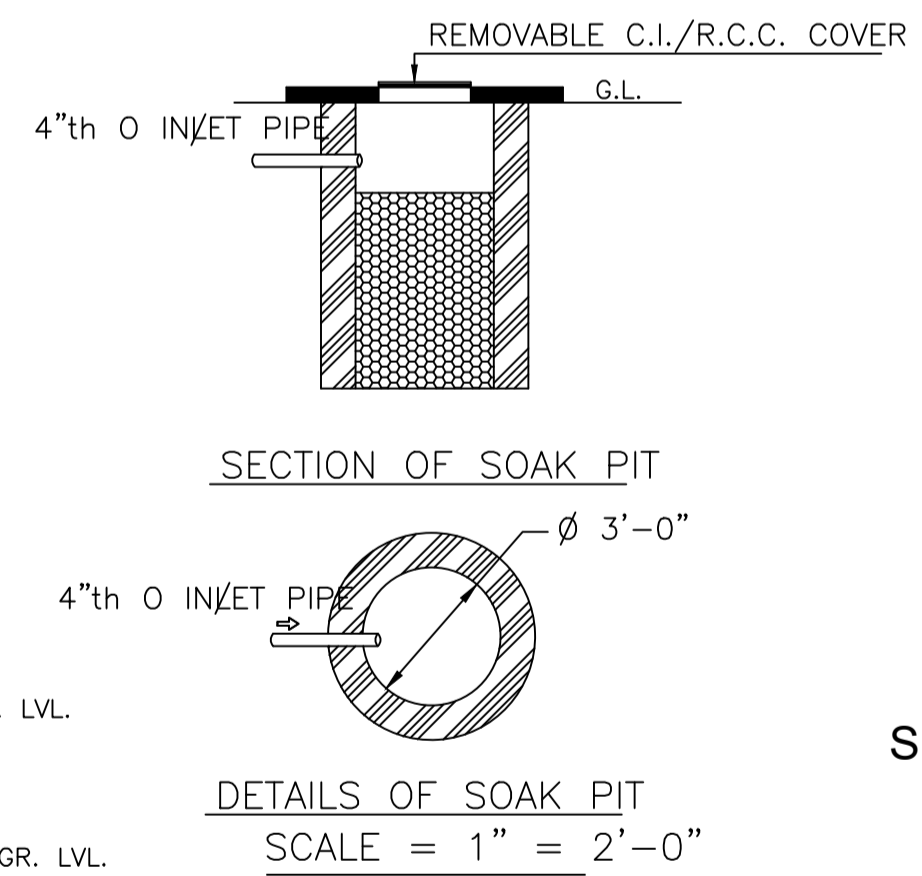
FRONT ELEVATION
SCALE - 1" = 8'-0"



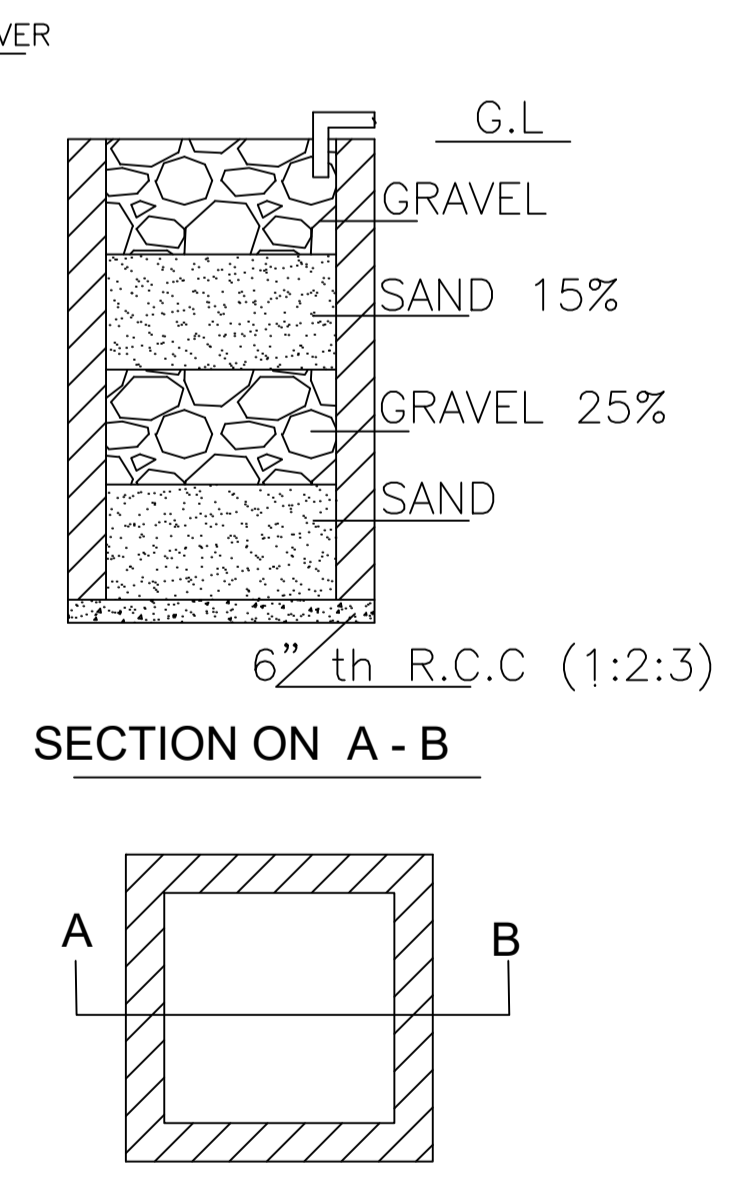
LEFT SIDE ELEVATION



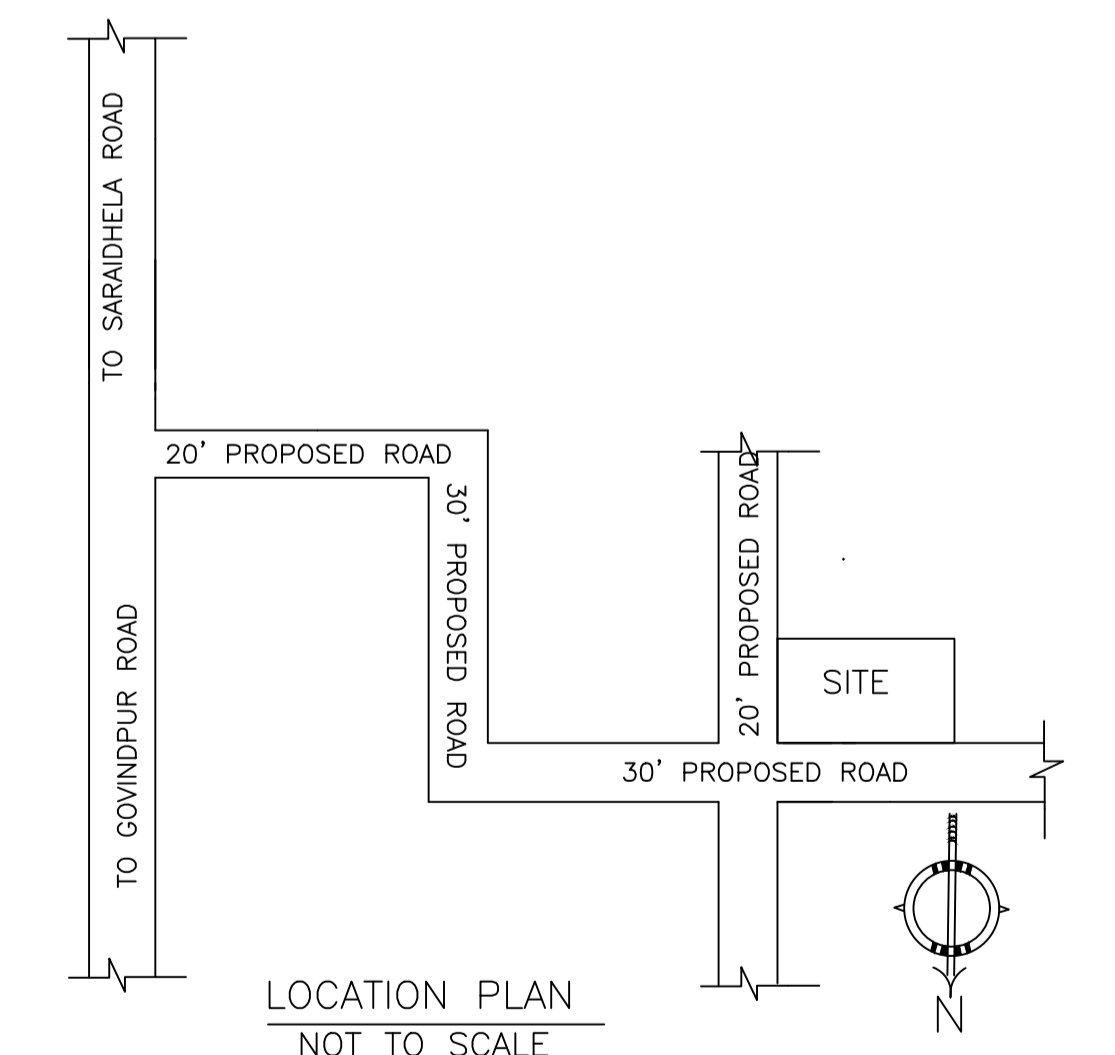
ROOF TOP RAIN WATER COLLECTION SYSTEM
SCALE = 1" = 4'-0"



DETAILS OF SOAK PIT
SCALE = 1" = 2'-0"



DETAILS DRAWING OF
RAIN WATER HARVESTING
SCALE:- 1"=2'-0"



LOCATION PLAN
NOT TO SCALE

LTP NAME AND SIGNATURE	STRUCTURAL ENG'S NAME AND SIGNATURE	BUILDER NAME AND SIGNATURE	DIGITAL SIGNATURE
RAM PRATAP SINGH MADA/ARC/0024/2019			