

Proposal Basic Information

Proposal File No.	MADA/BP/0135/2021
Owner Name	1. SMT. ATMIYATA AND 2. SRI. MANISH KUMAR
Khata No	OLD KHATA NO-69, NEW KHATA NO-134
Plot No	OLD PLOT NO. 494, NEW PLOT NO. 1443
Village Name	Jialgora
Use	Residential
SubUse	Bungalow/ Dwelling / Non Apartment

AREA STATEMENT MINERAL AREA DEVELOPMENT AUTHORITY	VERSION NO.: 1.0.61	VERSION DATE: 16/10/2020
PROJECT DETAIL:		
Region: JHARKHAND URBAN LOCAL BODIES	Plot Use: Residential	
District: DHANBAD	Plot SubUse: Bungalow/ Dwelling / Non Apartment	
Authority: MINERAL AREA DEVELOPMENT AUTHORITY	PlotNearby/ReligiousStructure: NA	
Inward No: MADA/BP/0135/2021	Plot/SubPlot No: OLD PLOT NO. 494, NEW PLOT NO. 1443	
Application Type: General Proposal	North: Plot No. - SAME PLOT	
Project Type: Building Permission	South: Plot No. - SAME PLOT	
Nature of Development: New	East: Road Width - 9.10	
Location of Development Area: Old Area	West: Plot No. - SAME PLOT	
AREA DETAILS:		
AREA OF PLOT (Minimum)	(A)	SQ.MT. 133.68
NET AREA OF PLOT(Gross Plot Area - Deduction from Gross Plot area)	(A-Deductions)	133.68
Deduction for Balance Plot Area(from Gross Plot Area)		
Common Plot		12.45
Total		12.45
BALANCE AREA OF PLOT(Net Plot Area - Recreational/Amenity spaces)	(A-Deductions)	121.23
PLOT AREA FOR COVERAGE(Net Plot Area)	(A-Deductions)	133.68
Plot Area for FAR (Net Plot Area + Road/Widening Area)	(A-Deductions)	133.68
COVERAGE CHECK		
Permissible Coverage area (70.00 %)		93.58
Proposed Coverage Area (60.21 %)		80.49
Total Prop. Coverage Area (60.21 %)		80.49
Balance coverage area (9.79 %)		13.09
FAR CHECK		
Perm. FAR Area (2.50)		334.20
Total Perm. FAR area		334.20
Residential FAR		160.98
Proposed FAR Area		160.98
Total Proposed FAR Area		160.98
Consumed FAR (Factor)		1.20
Balance FAR Area		173.22
BUILT UP AREA CHECK		
Total Proposed BuiltUp Area		160.98
ARCHITECT (Regd)		RAM PRATAP SINGH
ENGINEER (Regd)		
SUPERVISOR (Regd)		
OWNER (Regd)		1. SMT. ATMIYATA AND 2. SRI. MANISH KUMAR
DEVELOPMENT AUTHORITY		LOCAL BODY

COLOR INDEX	
PLOT BOUNDARY	Black
ABUTTING ROAD	Green
PROPOSED CONSTRUCTION	Red
COMMON PLOT	Yellow
ROAD WIDENING AREA	Blue
EXISTING (To be retained)	Light Blue
EXISTING (To be demolished)	Dark Blue

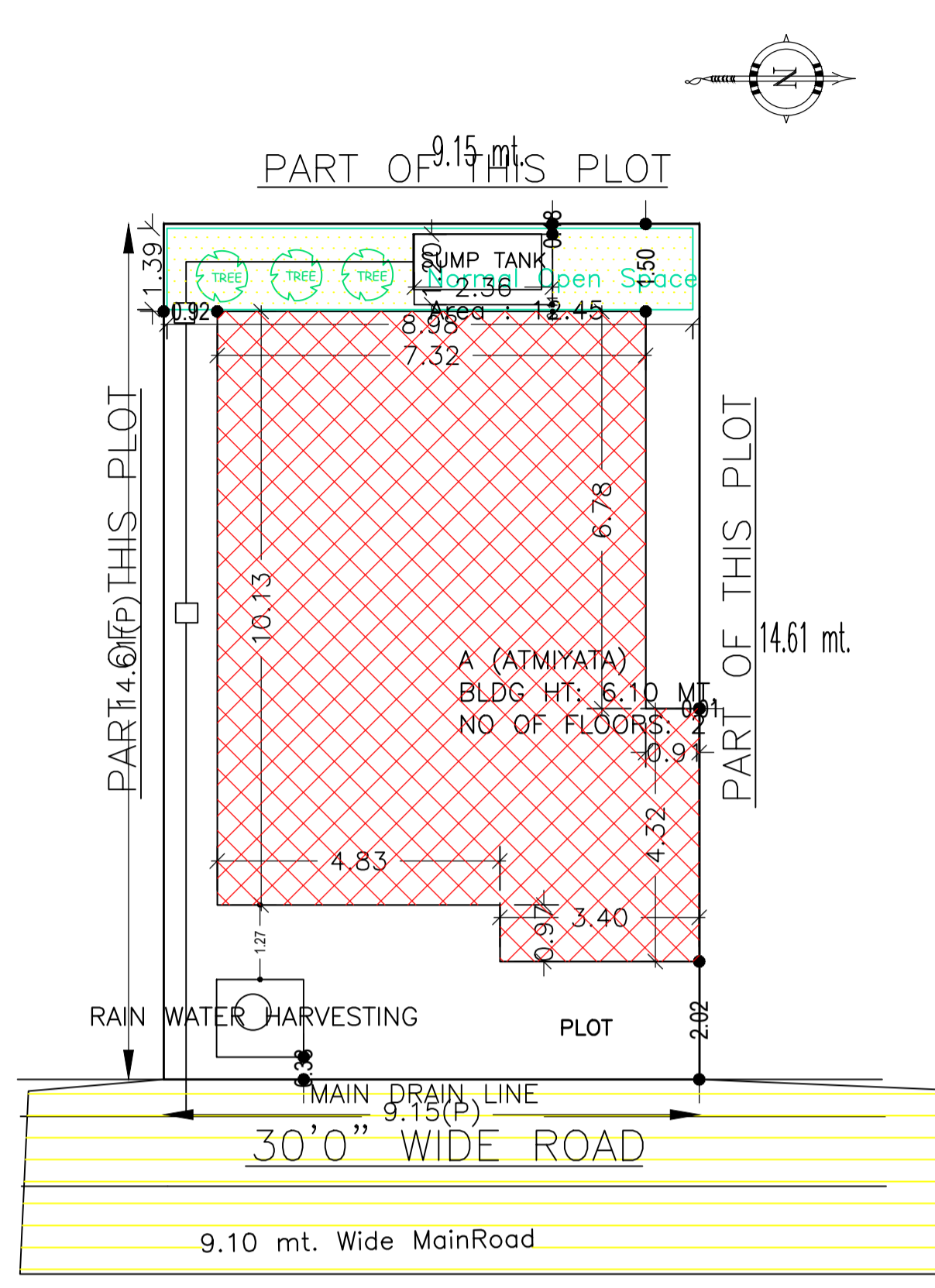
Buildingwise Floor FAR Details				
Floor Name	Building Name		Total	
	Proposed Built Up Area (Sq.mt.)	Proposed FAR Area (Sq.mt.)	Total Proposed Built Up Area (Sq.mt.)	Total FAR Area (Sq.mt.)
Ground Floor	80.49	80.49	80.49	80.49
First Floor	80.49	80.49	80.49	80.49
Terrace Floor	0.00	0.00	0.00	0.00
Total :	160.98	160.98	160.98	160.98

Building USE/SUBUSE Details				
Building Name	Building Use	Building SubUse	Building Structure	
A (ATMIYATA)	Residential	Residential Bldg/Apartment	Non-Highrise	

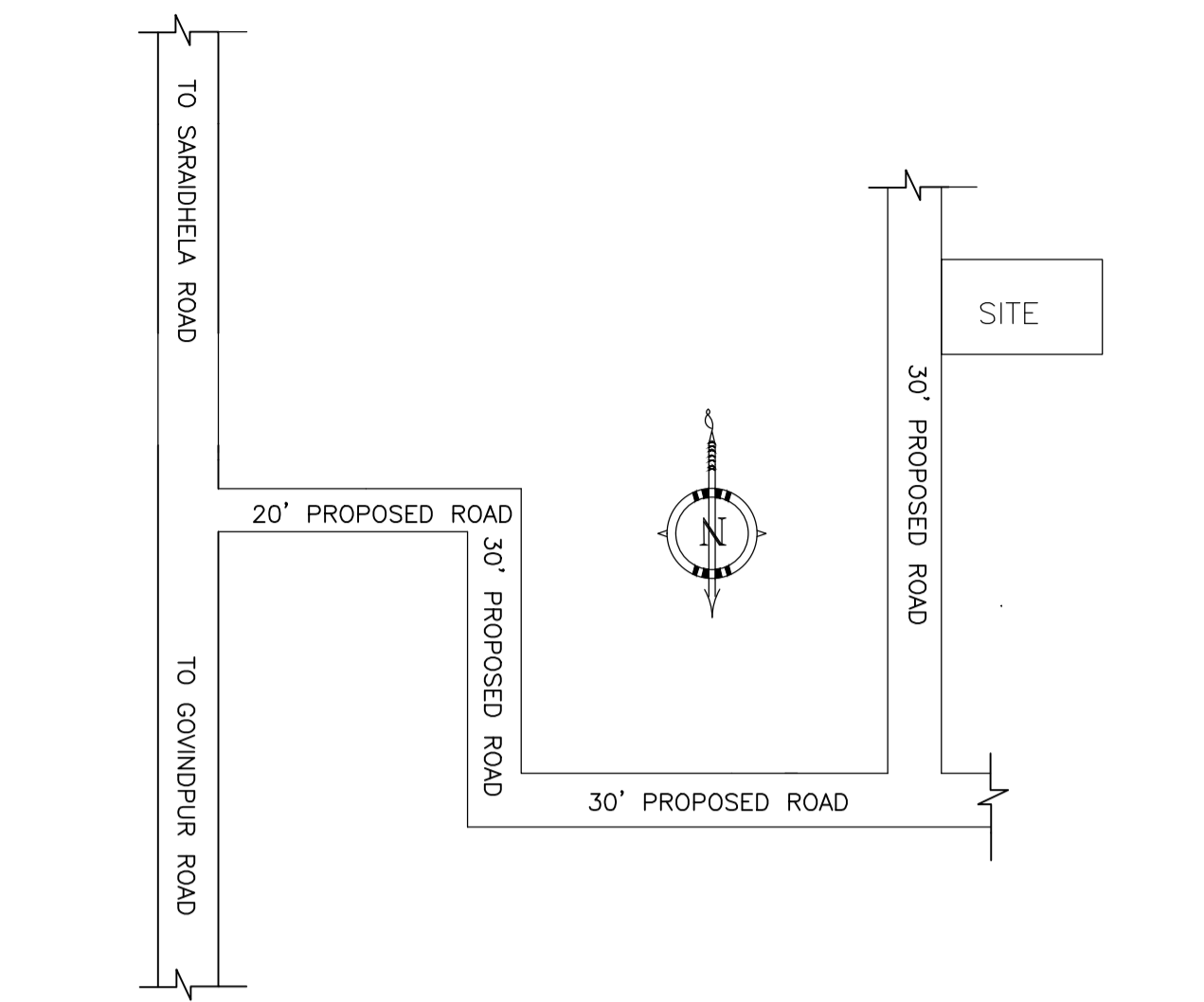
UnitBUA Table for Building :A (ATMIYATA)						
FLOOR	Name	UnitBUA Type	UnitBUA Area	Carpet Area	No. of Rooms	No. of Tenement
GROUND FLOOR PLAN	SPLIT 1	FLAT	160.98	159.08	5	1
FIRST FLOOR PLAN	SPLIT 1	FLAT	0.00	0.00	9	0
Total:	-	-	160.98	159.08	14	1

FAR & Tenement Details (Table 4c-1)						
Building	No. of Same Bldg	Total Built Up Area (Sq.mt.)	Proposed FAR Area (Sq.mt.) Resi.	Total FAR Area (Sq.mt.)	Total Consumed Additional FAR Area (Sq.mt.)	Trmt (No.)
A (ATMIYATA)	1	160.98	160.98	160.98	160.98	01
Grand Total :	1	160.98	160.98	160.98	160.98	01

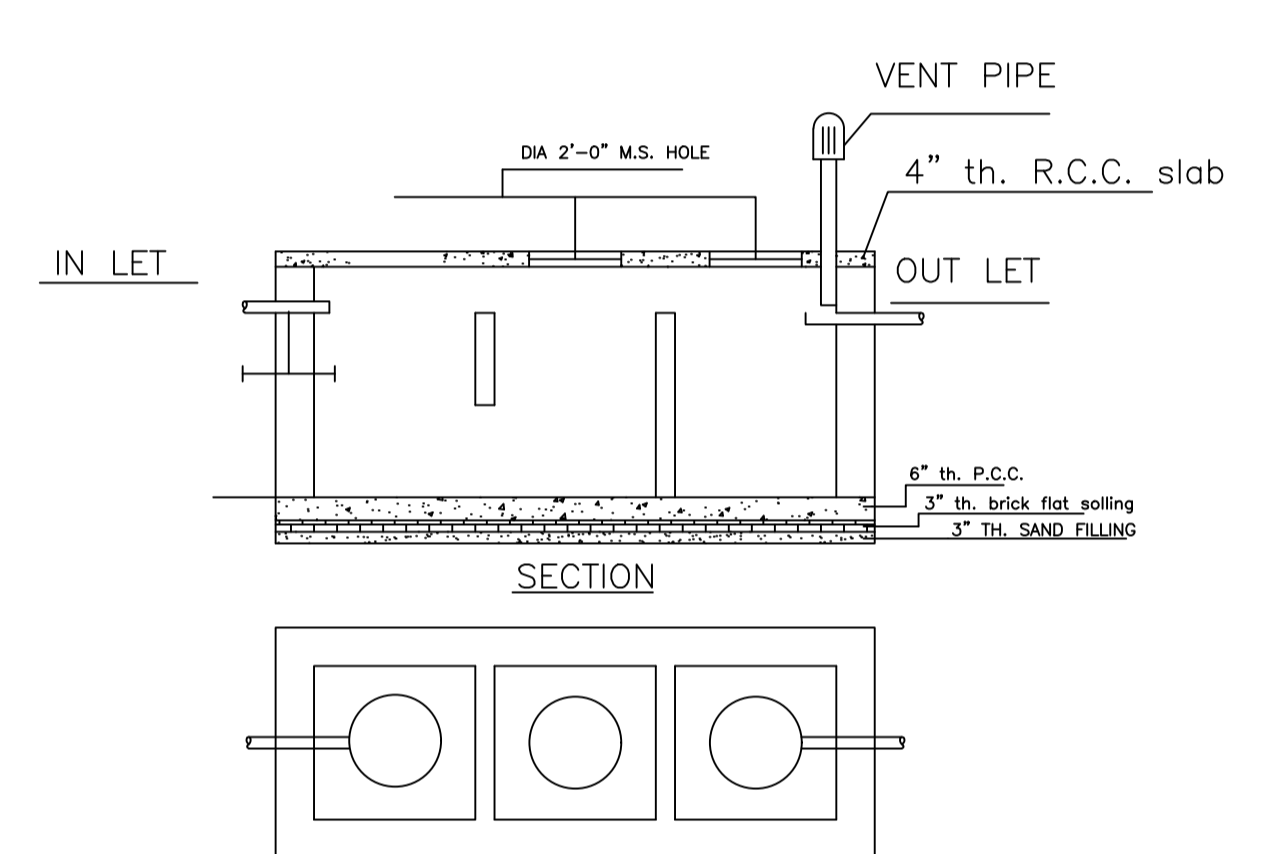
LTP NAME AND SIGNATURE	STRUCTURAL ENG'S NAME AND SIGNATURE	BUILDER NAME AND SIGNATURE	DIGITAL SIGNATURE
RAM PRATAP SINGH MADA/ARC/0024/2019			



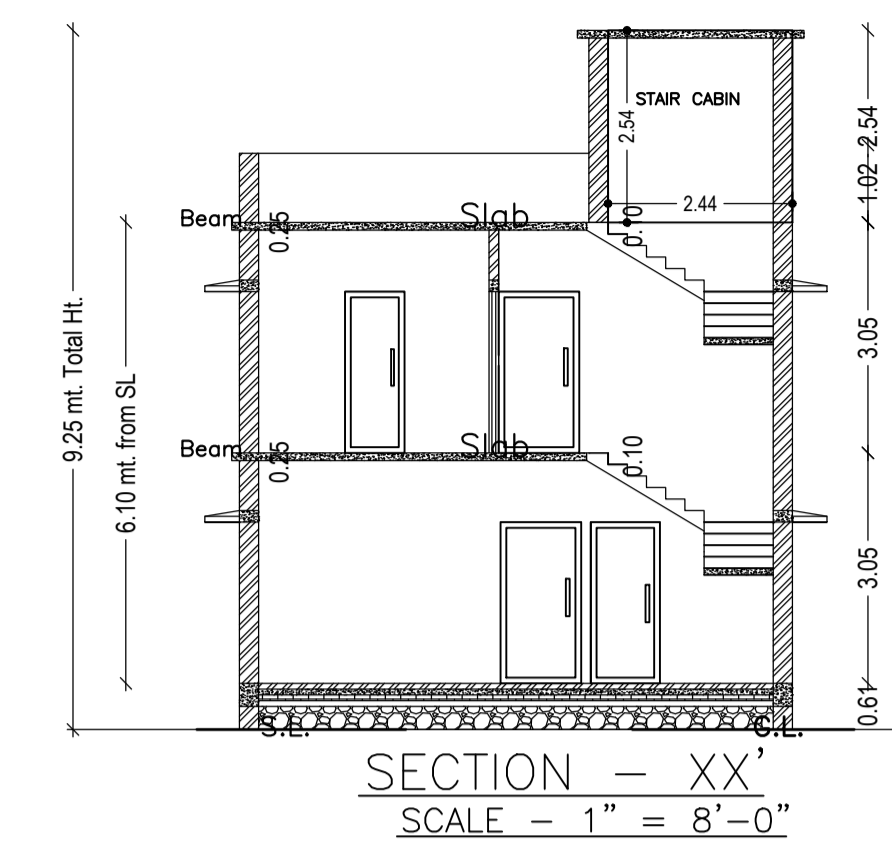
SITE PLAN
SCALE - 1" = 16'-0"



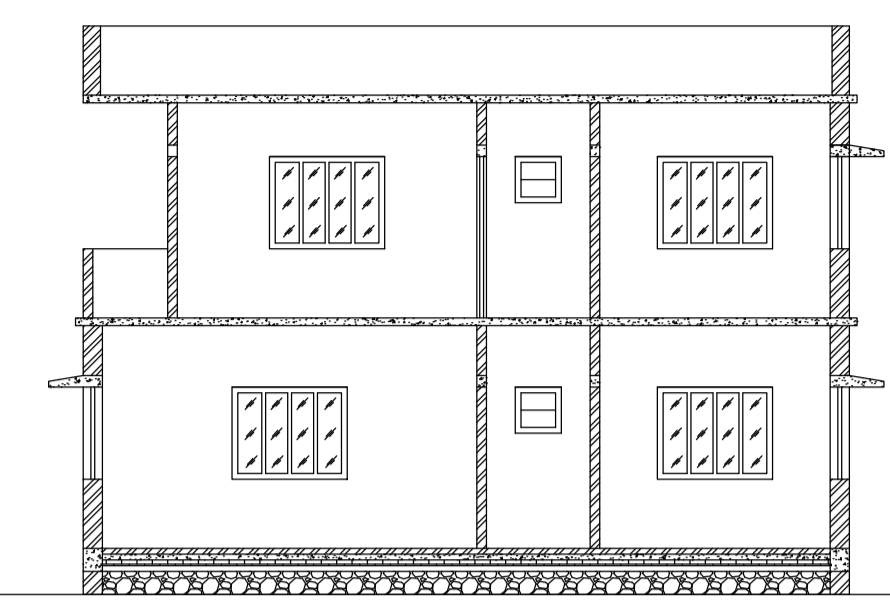
LOCATION PLAN
NOT TO SCALE



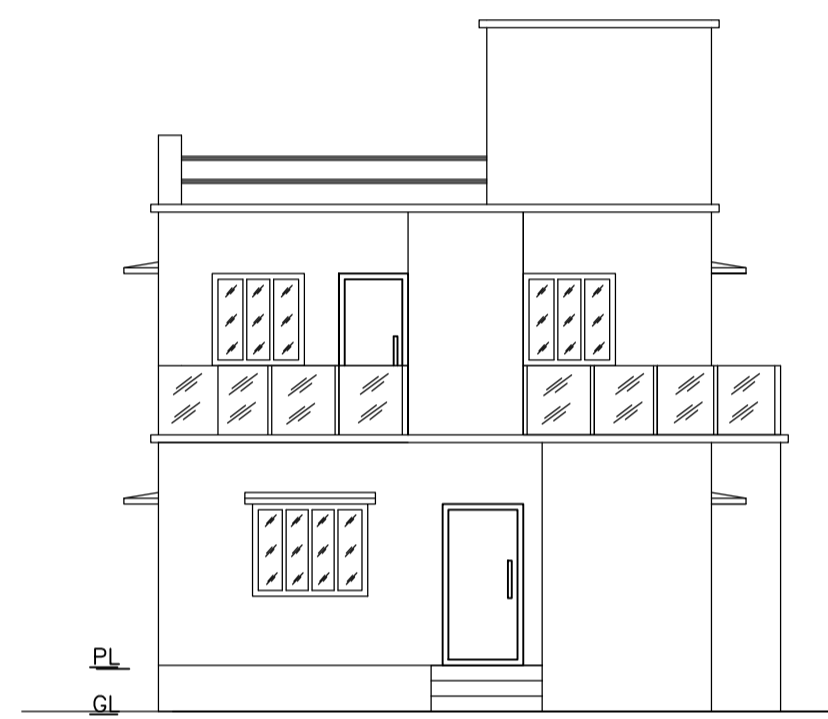
DETAILS OF SEPTIC TANK
SCALE - 1" = 4'-0"



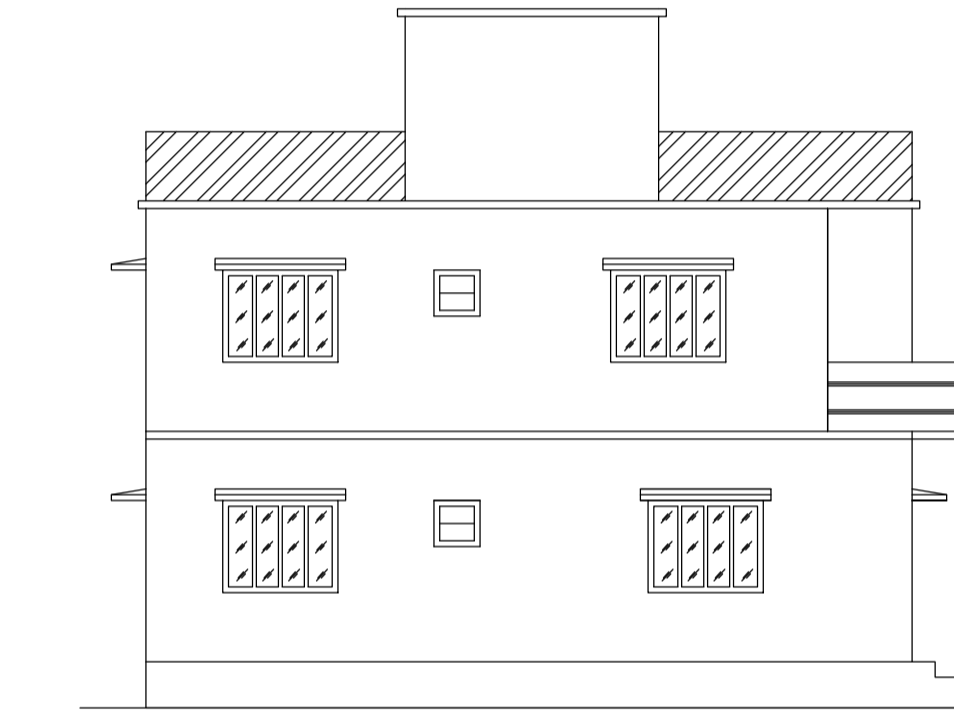
SECTION - XX'
SCALE - 1" = 8'-0"



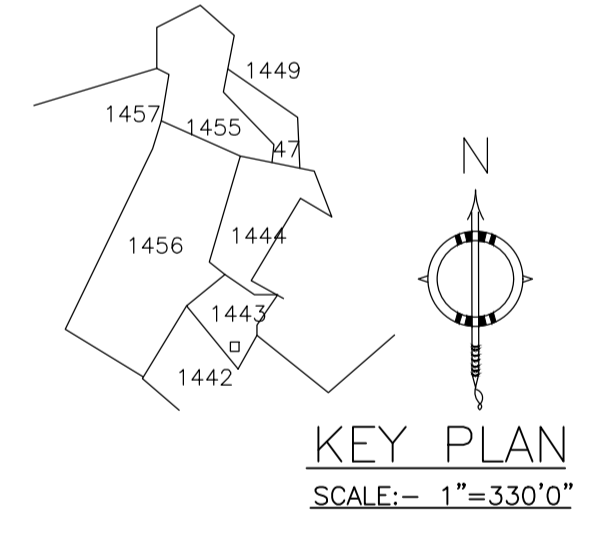
SECTION - YY'
SCALE - 1" = 8'-0"



FRONT ELEVATION
SCALE - 1" = 8'-0"



LEFT SIDE ELEVATION
SCALE - 1" = 8'-0"



KEY PLAN
SCALE:- 1"=330'0"

SCHEDULE OF DOOR:

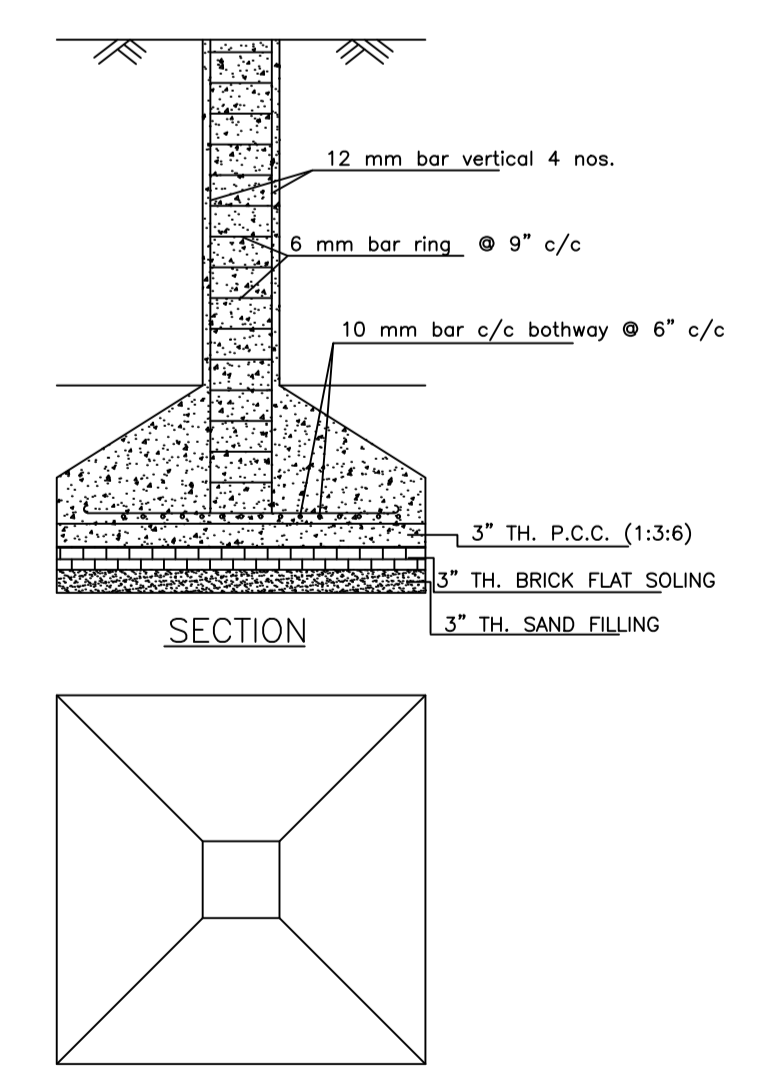
BUILDING NAME	NAME	LENGTH	HEIGHT	NOS
A (ATMIYATA)	D	0.76	2.10	04
A (ATMIYATA)	D	0.91	2.10	03
A (ATMIYATA)	D	1.07	2.10	03
A (ATMIYATA)	D	1.17	2.10	01
A (ATMIYATA)	D	1.32	2.10	01

SCHEDULE OF WINDOW/VENTILATION:

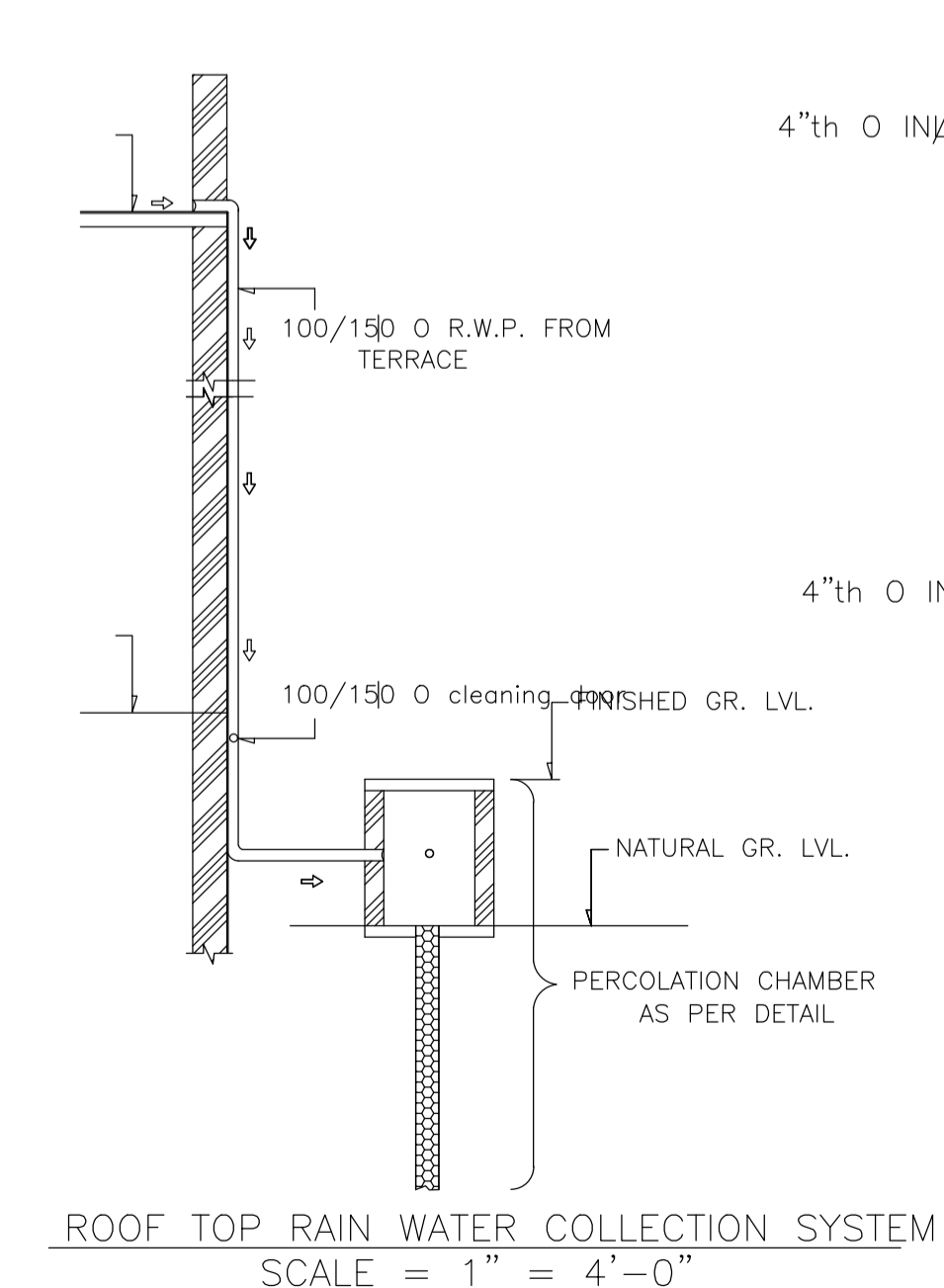
BUILDING NAME	NAME	LENGTH	HEIGHT	NOS
A (ATMIYATA)	W	0.61	1.20	03
A (ATMIYATA)	W	0.91	1.20	04
A (ATMIYATA)	W	1.22	1.20	04
A (ATMIYATA)	W	1.52	1.20	07

Building :A (ATMIYATA)

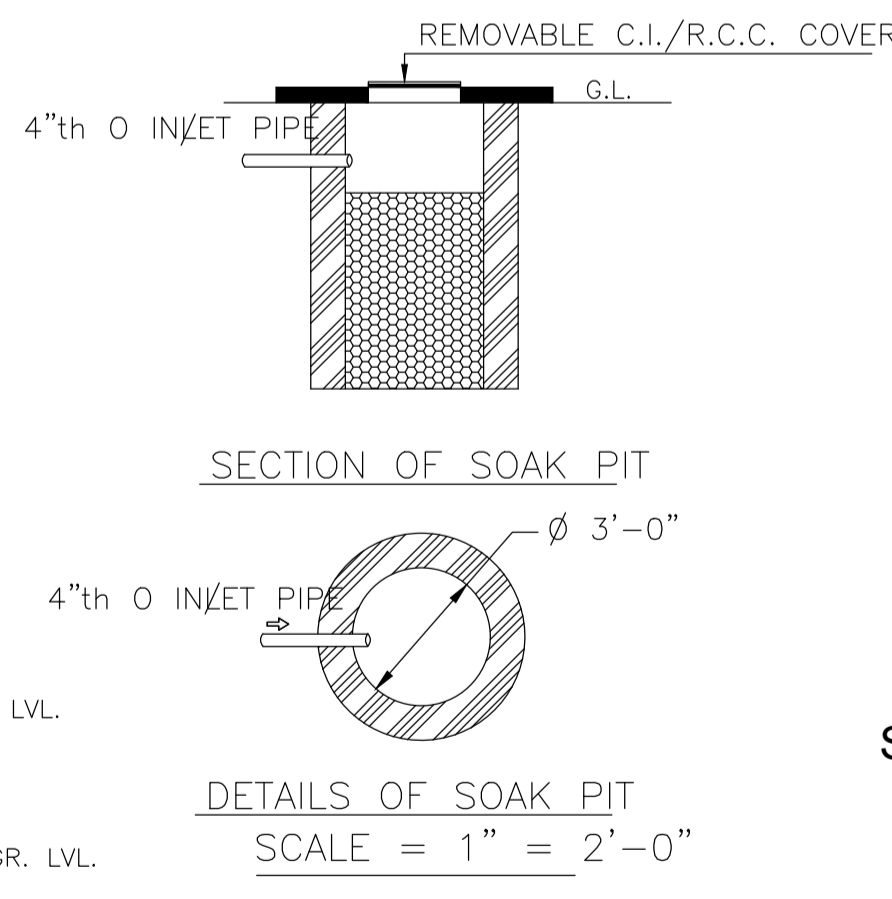
Floor Name	Total Built Up Area (Sq.mt.)	Proposed FAR Area (Sq.mt.) Resi.	Total FAR Area (Sq.mt.)	Total Consumed Additional FAR Area (Sq.mt.)	Trmt (No.)
Ground Floor	80.49	80.49	80.49	80.49	01
First Floor	80.49	80.49	80.49	80.49	00
Terrace Floor	0.00	0.00	0.00	0.00	00
Total :	160.98	160.98	160.98	160.98	01
Total Number of Same Buildings :	1				
Total :	160.98	160.98	160.98	160.98	01



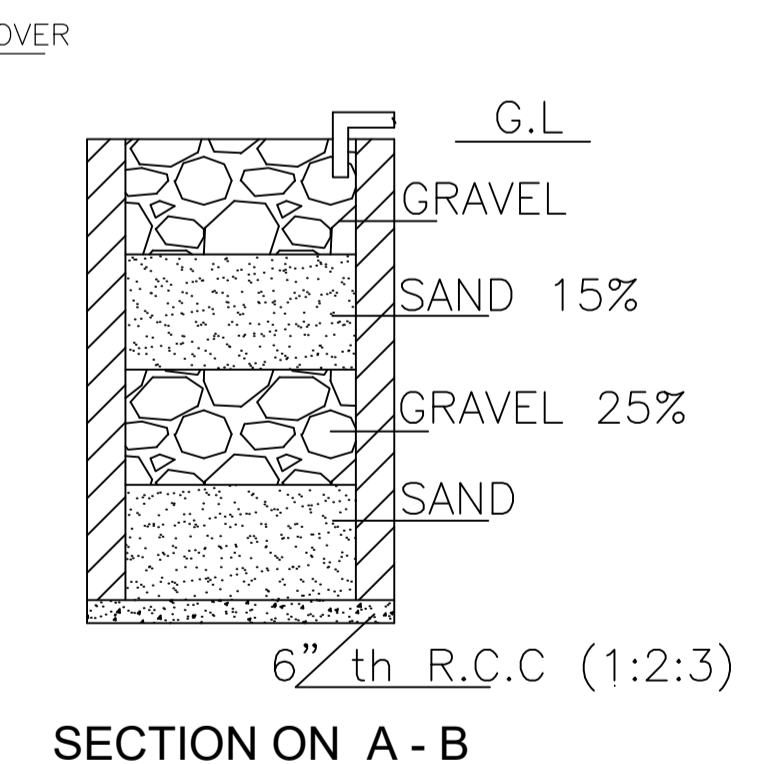
DETAILS OF COLUMN FOUNDATION
SCALE - 1" = 2'-0"



ROOF TOP RAIN WATER COLLECTION SYSTEM
SCALE = 1" = 4'-0"

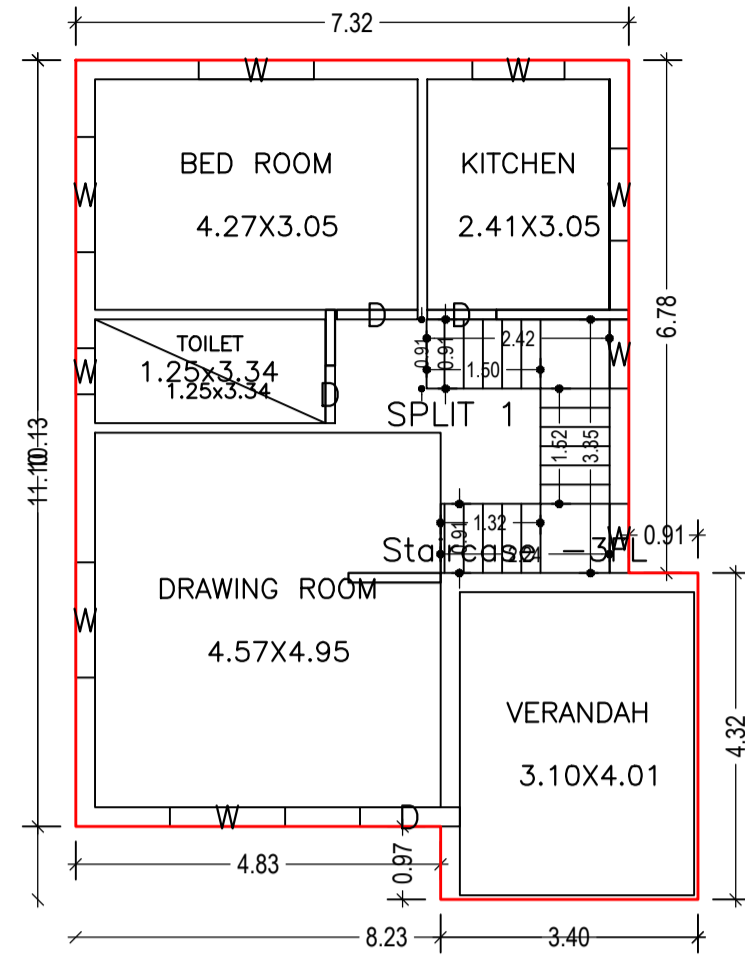


DETAILS OF SOAK PIT
SCALE = 1" = 2'-0"

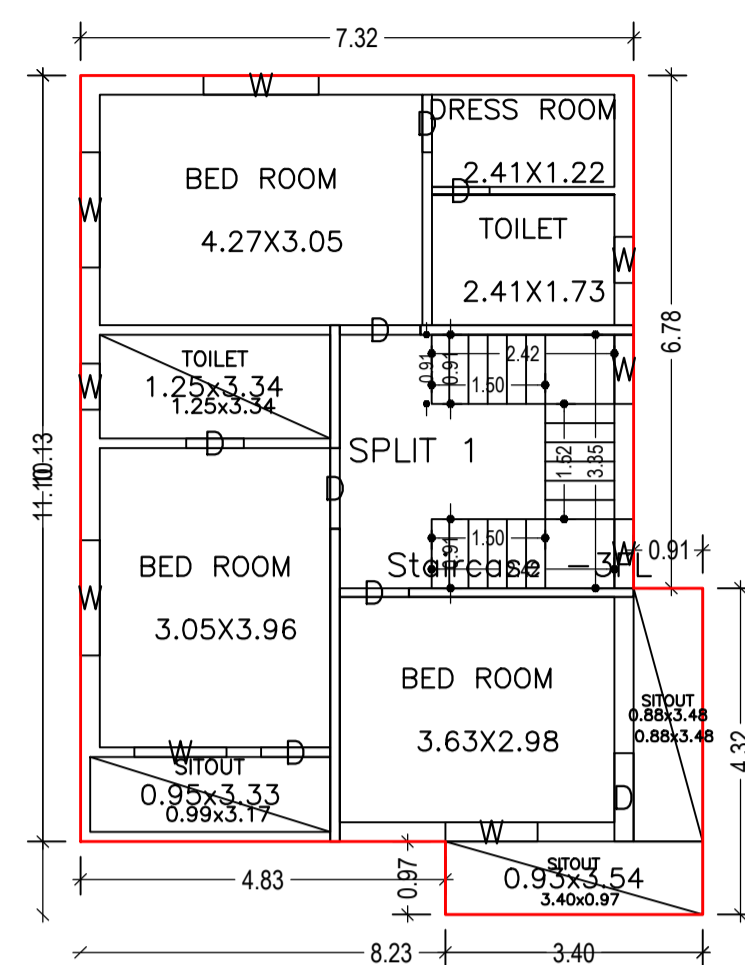


DETAILS DRAWING OF RAIN WATER HARVESTING
SCALE:- 1"=2'-0"

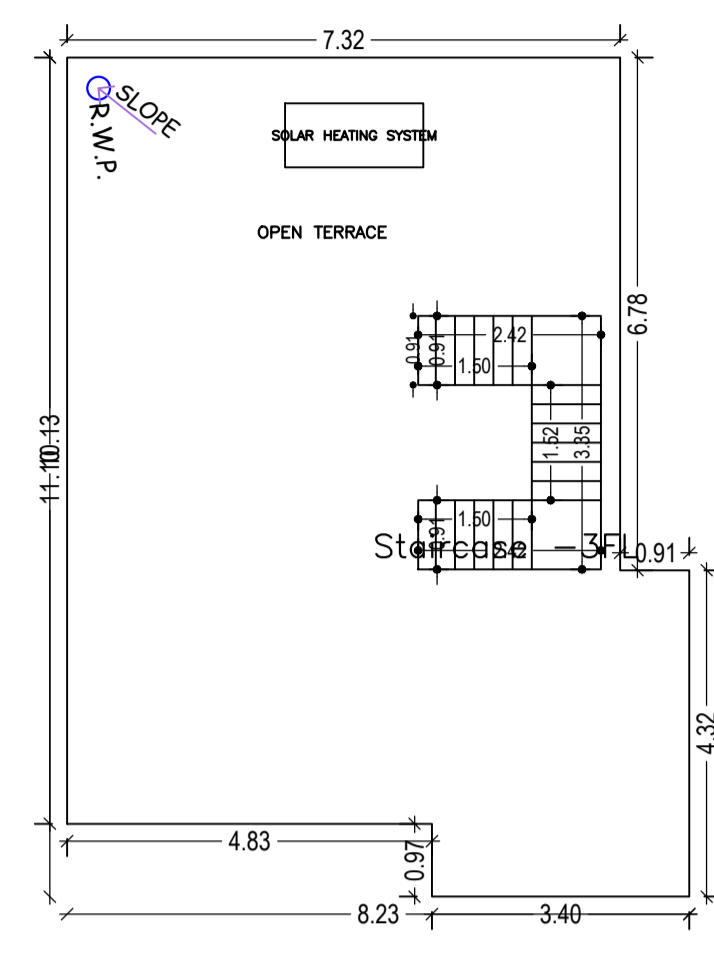
Proposal Basic Information	
Proposal File No.	MADA/BP/0135/2021
Owner Name	1. SMT. ATMIYATA AND 2. SRI. MANISH KUMAR
Khata No	OLD KHATA NO-69, NEW KHATA NO-134
Plot No	OLD PLOT NO. 494, NEW PLOT NO. 1443
Village Name	Jialgora
Use	Residential
SubUse	Bungalow/ Dwelling / Non Apartment



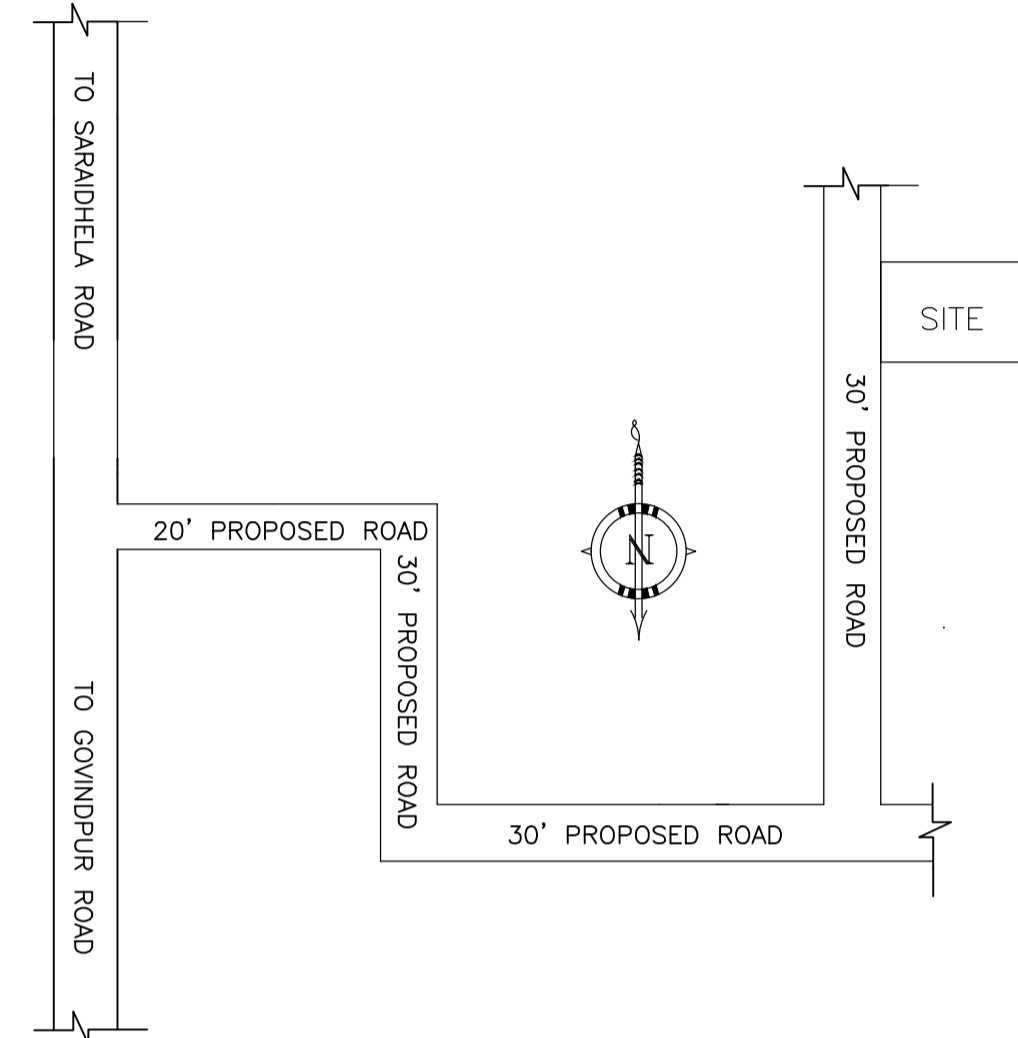
GROUND FLOOR PLAN
(Proposed)
(SCALE 1:100)



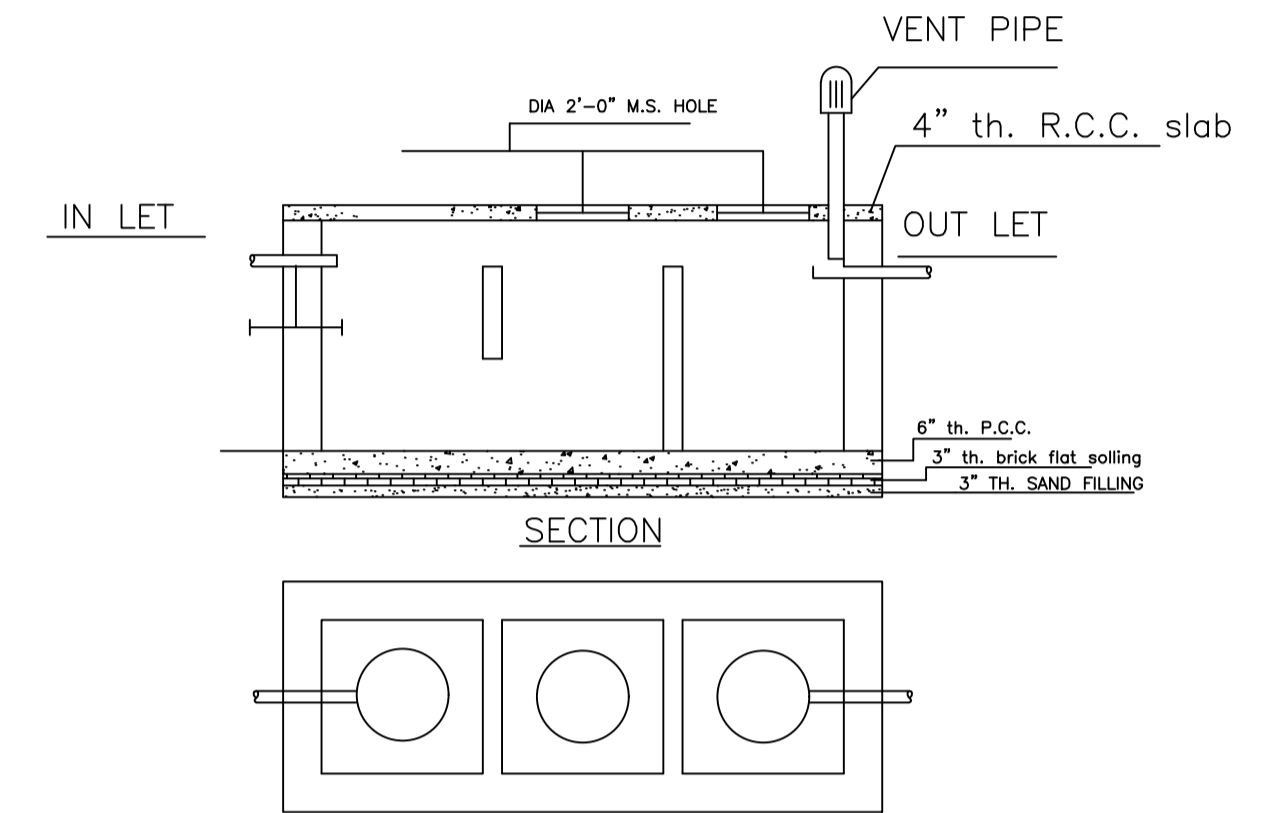
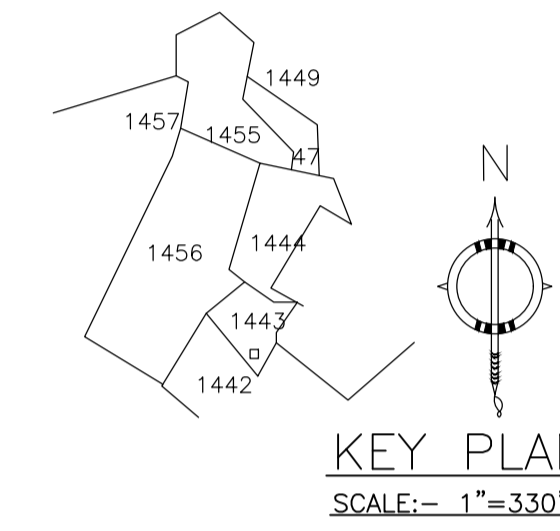
FIRST FLOOR PLAN
(Proposed)
(SCALE 1:100)



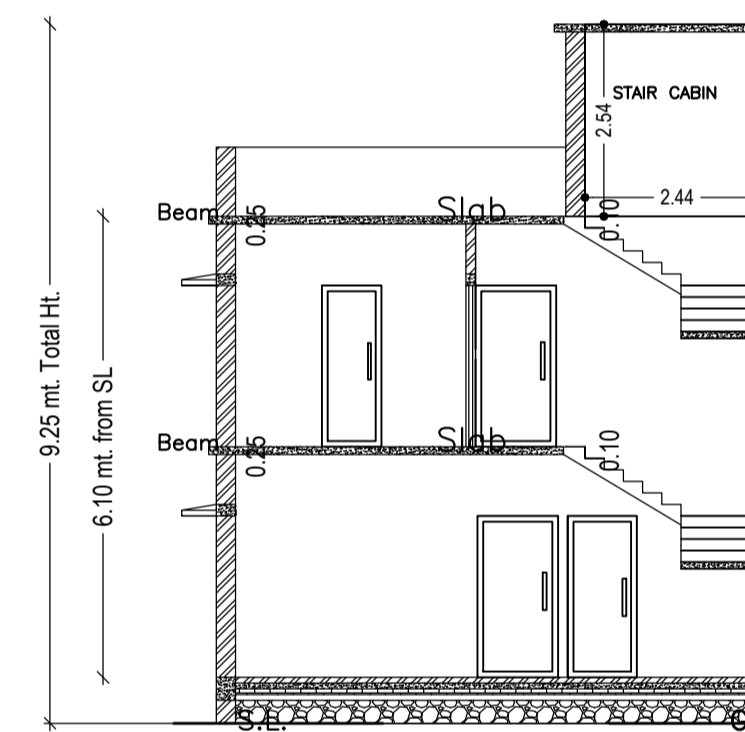
TERRACE FLOOR PLAN
(SCALE 1:100)



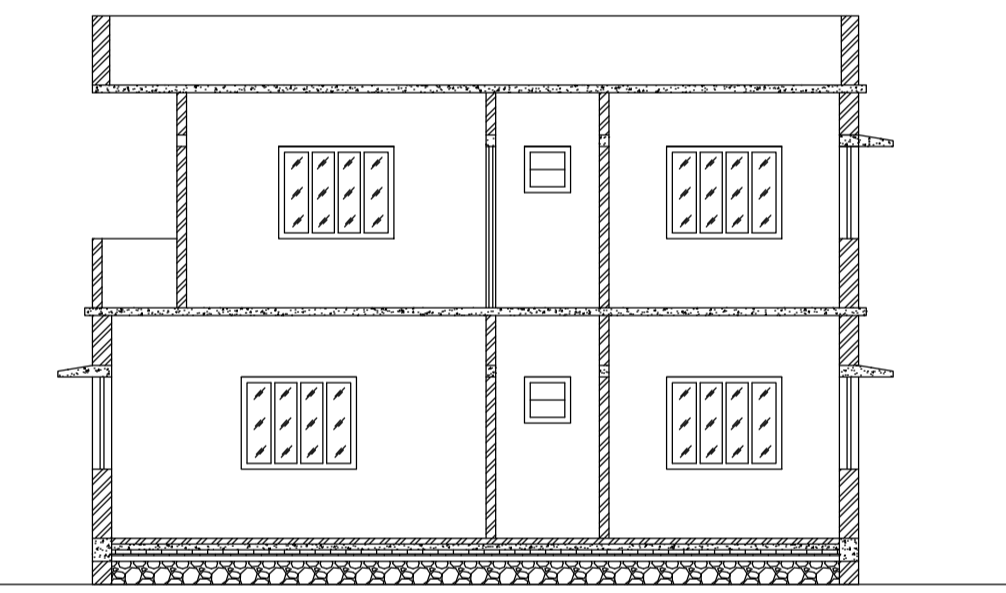
LOCATION PLAN
NOT TO SCALE



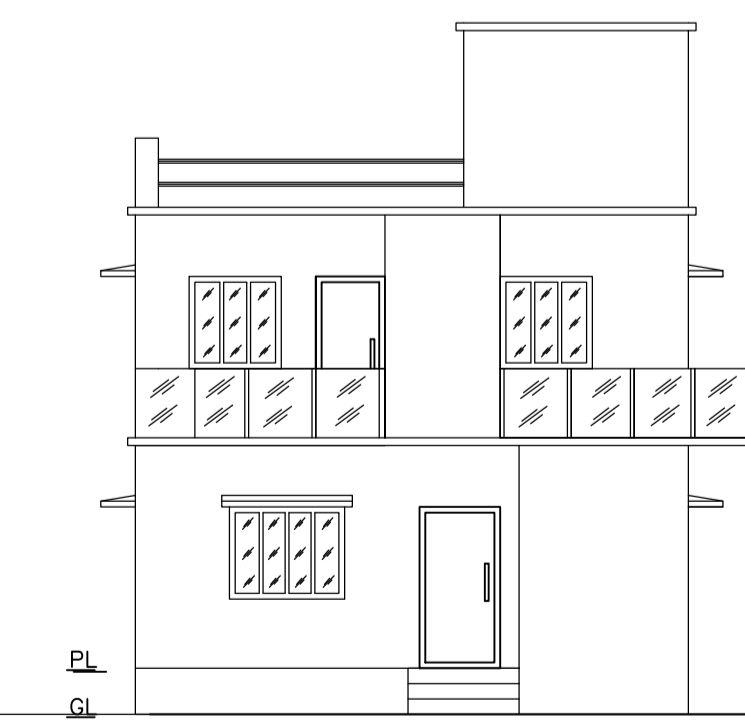
DETAILS OF SEPTIC TANK
SCALE - 1" = 4'-0"



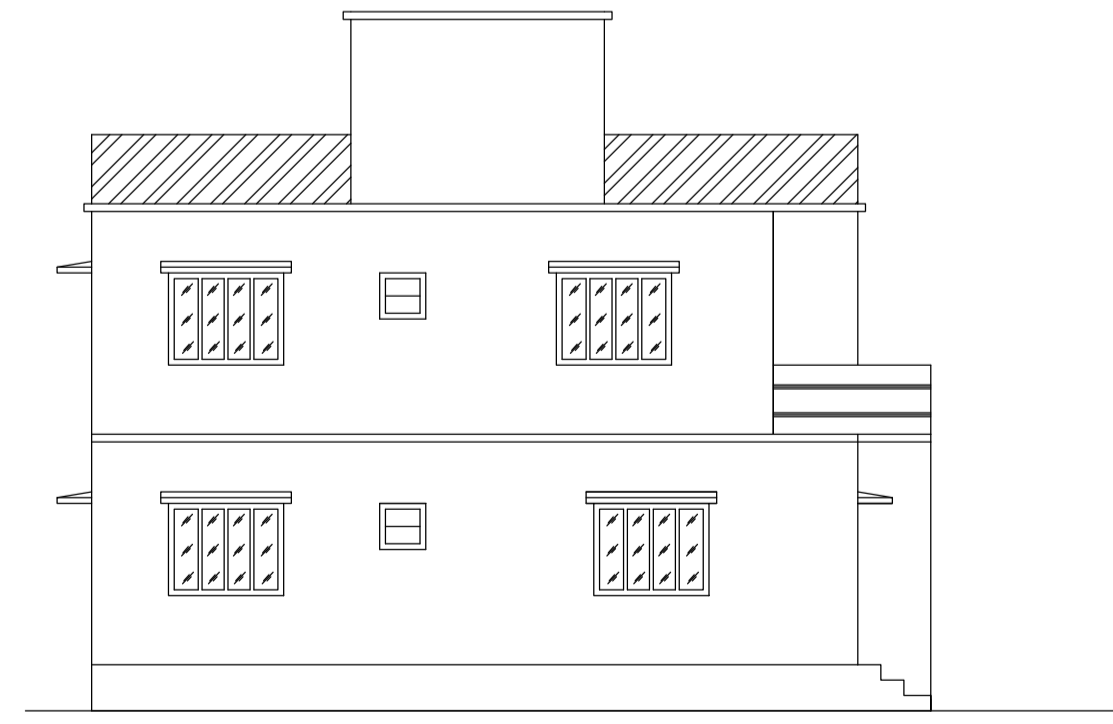
SECTION - XX'
SCALE - 1" = 8'-0"



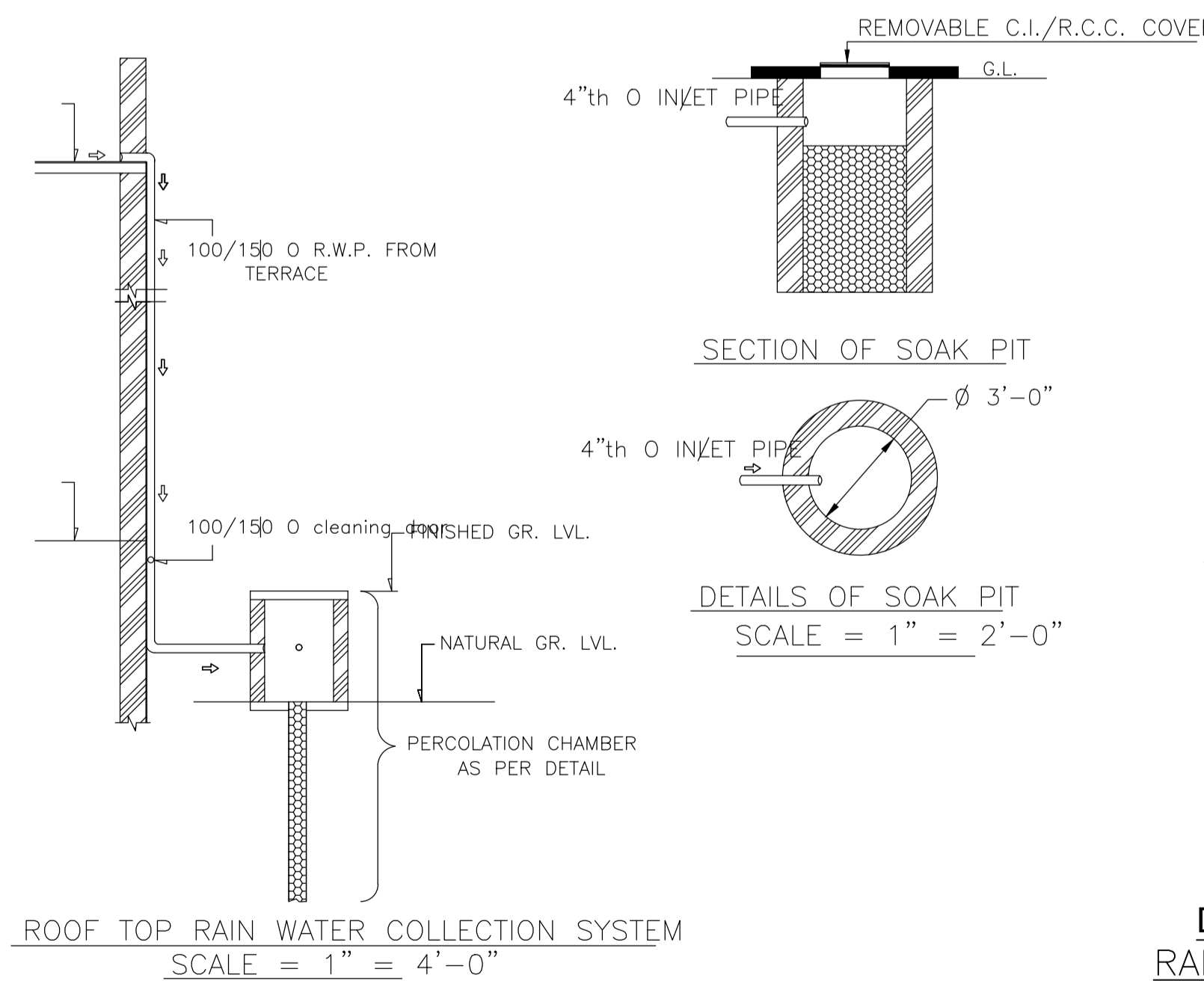
SECTION - YY'
SCALE - 1" = 8'-0"



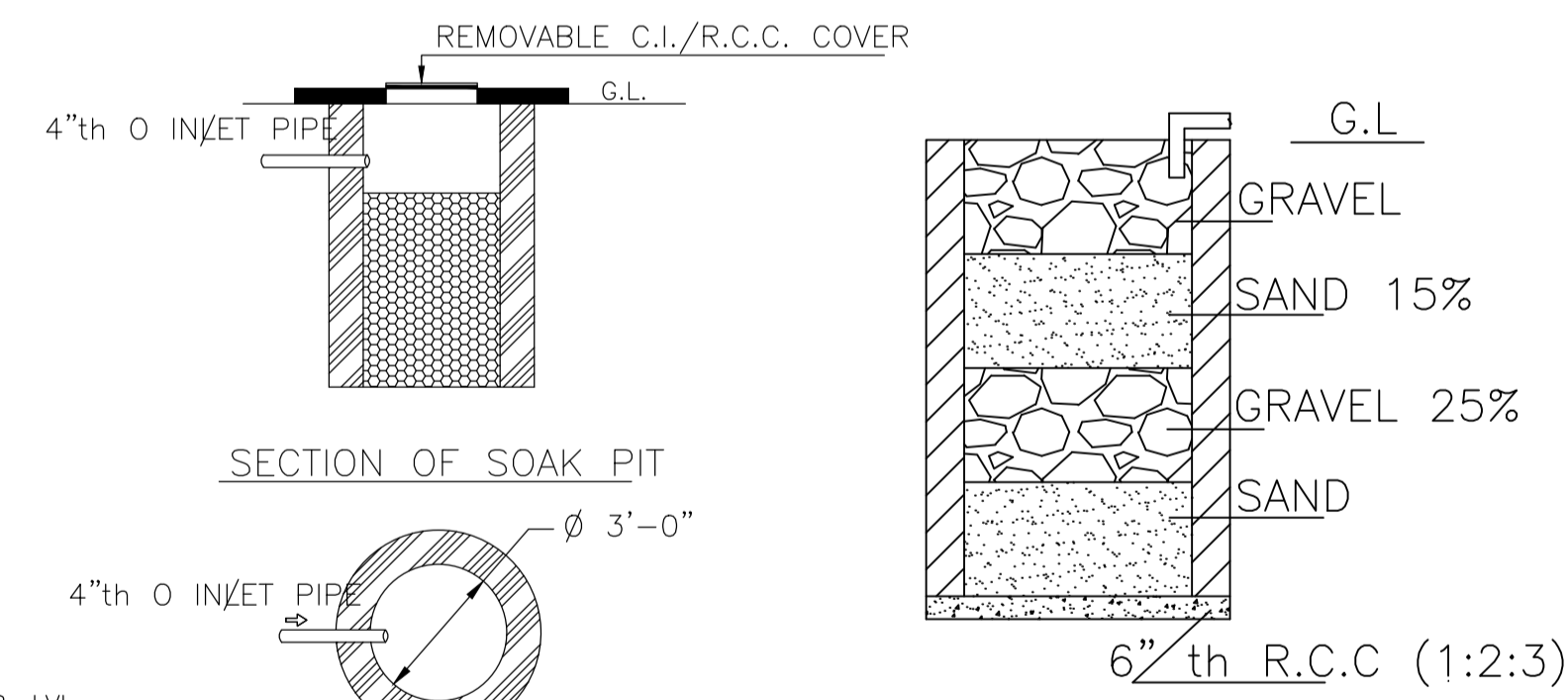
FRONT ELEVATION
SCALE - 1" = 8'-0"



LEFT SIDE ELEVATION
SCALE - 1" = 8'-0"

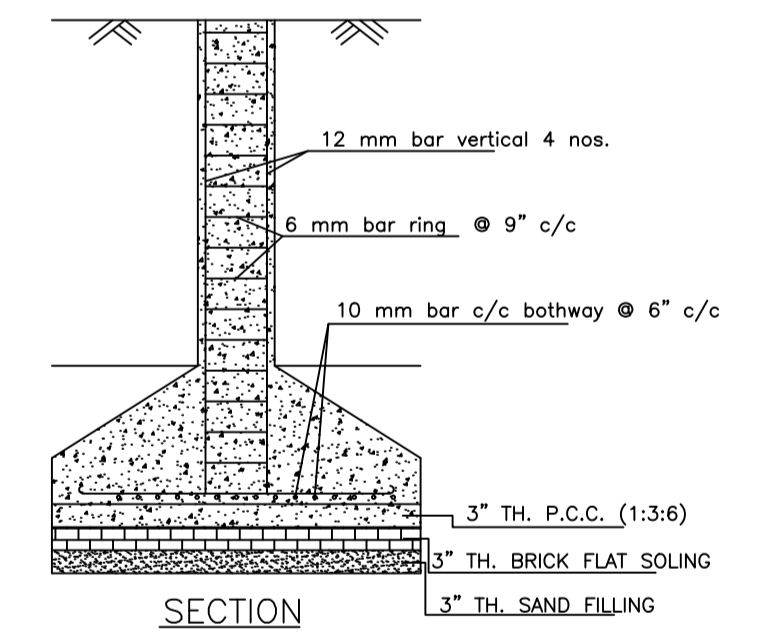


ROOF TOP RAIN WATER COLLECTION SYSTEM
SCALE = 1" = 4'-0"

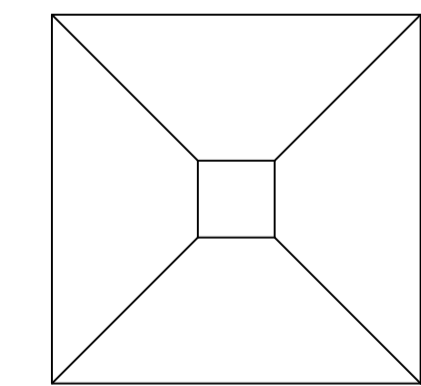


SECTION ON A - B

DETAILS DRAWING OF
RAIN WATER HARVESTING
SCALE:- 1"=2'-0"



SECTION



PLAN

DETAILS OF COLUMN FOUNDATION
SCALE - 1" = 2'-0"

LTP NAME AND SIGNATURE	STRUCTURAL ENG'S NAME AND SIGNATURE	BUILDER NAME AND SIGNATURE	DIGITAL SIGNATURE
RAM PRATAP SINGH MADA/ARC/0024/2019			