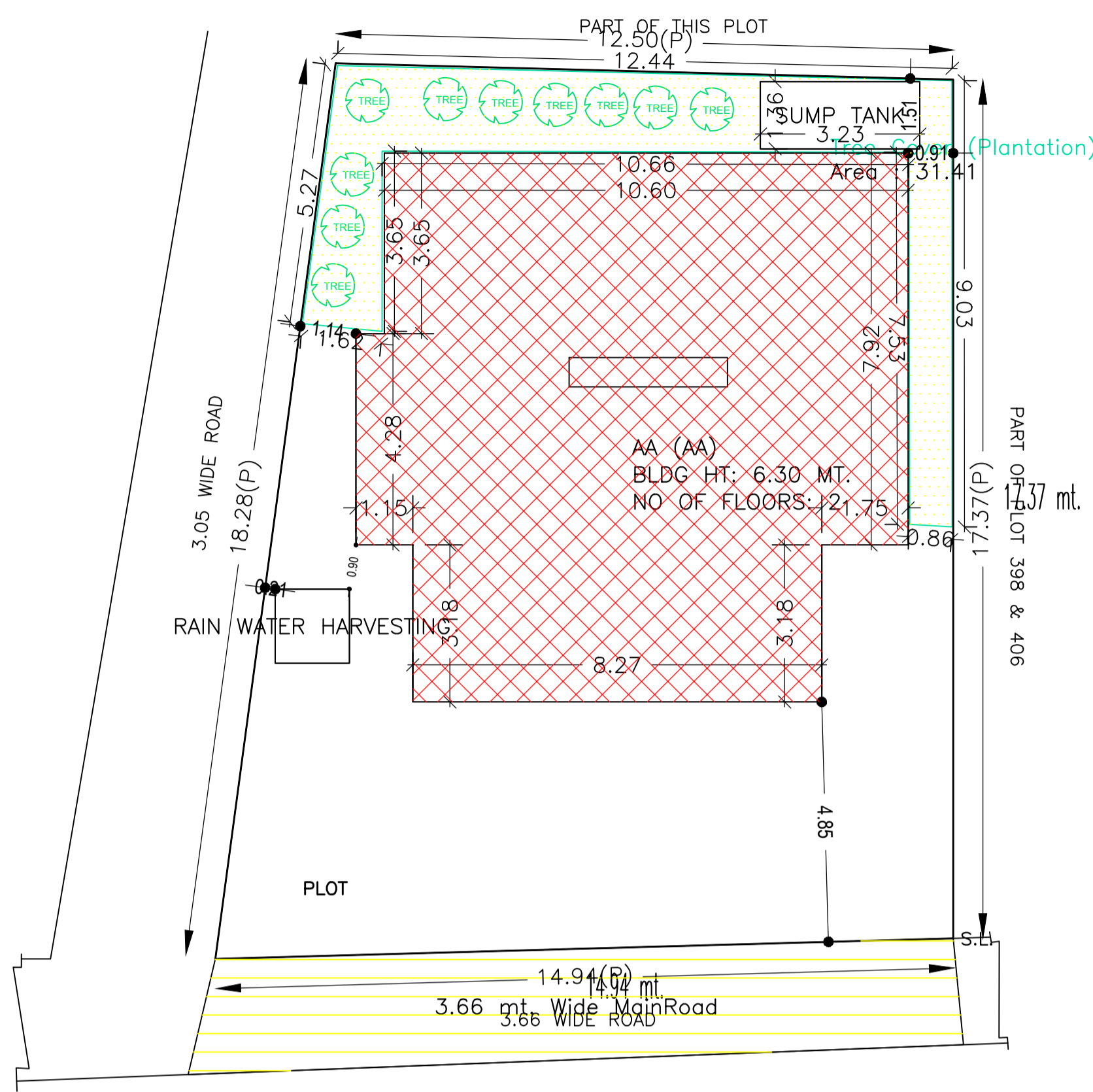
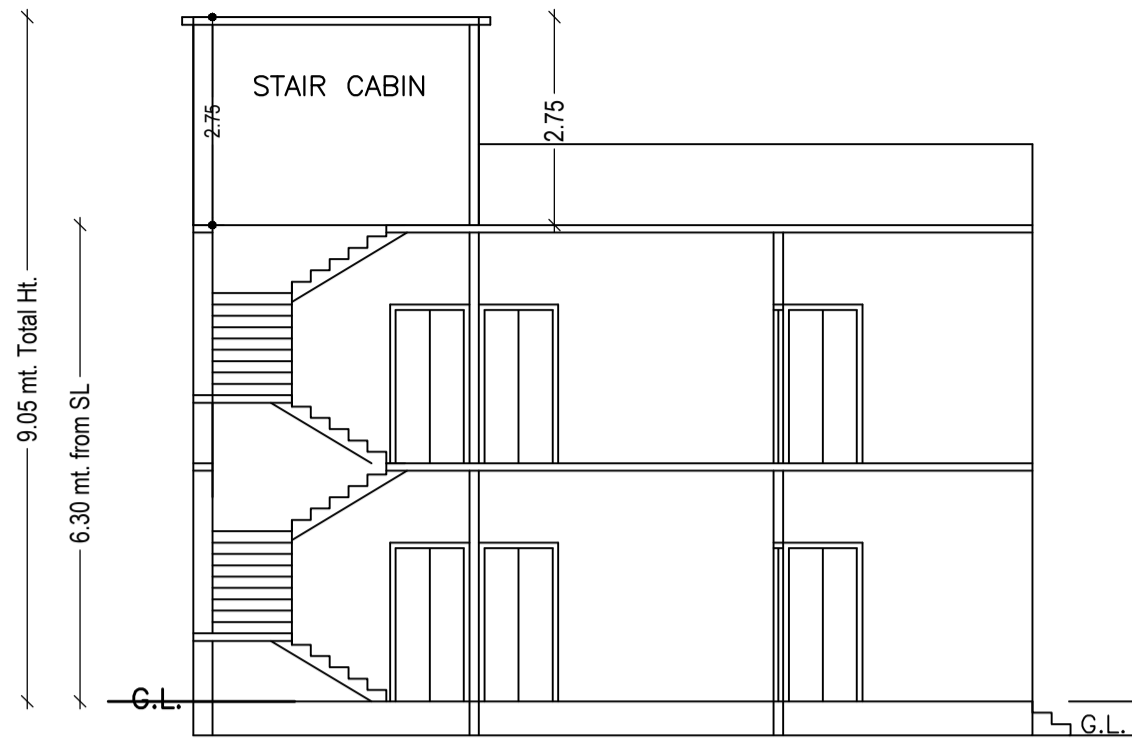


Proposal Basic Information

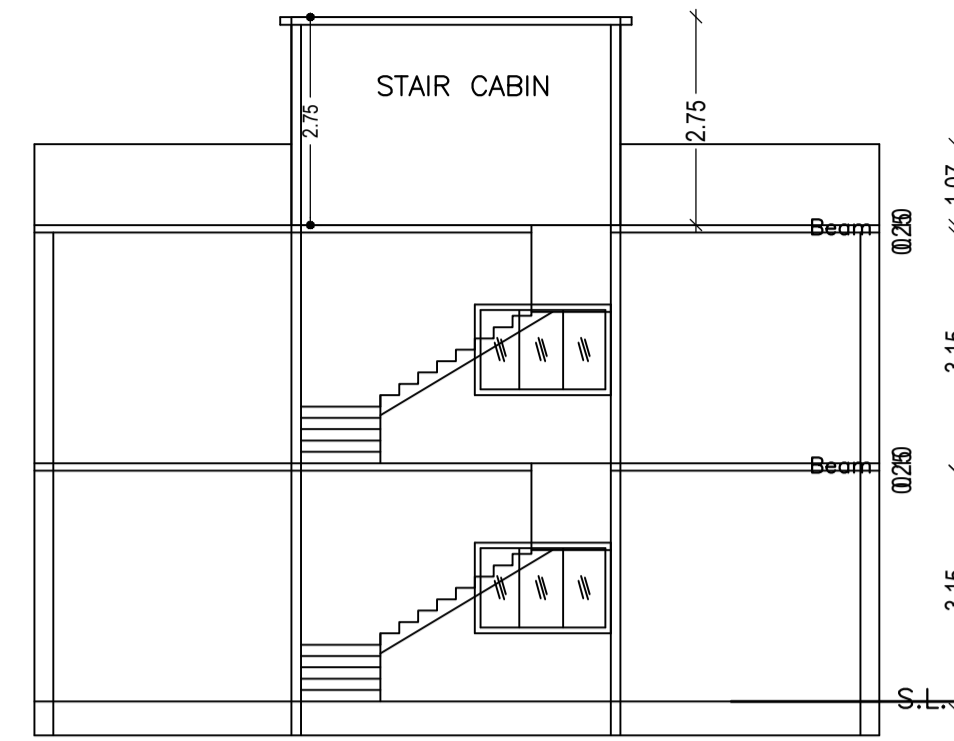
Proposal File No.	MADA/BP/0309/2021
Owner Name	SMT. RAJ KUMARI DEVI.
Khata No	28 (Old), 181 (New)
Plot No	406 (Old), 430 (New)
Village Name	Damodarapur
Use	Residential
SubUse	Bungalow/ Dwelling / Non Apartment



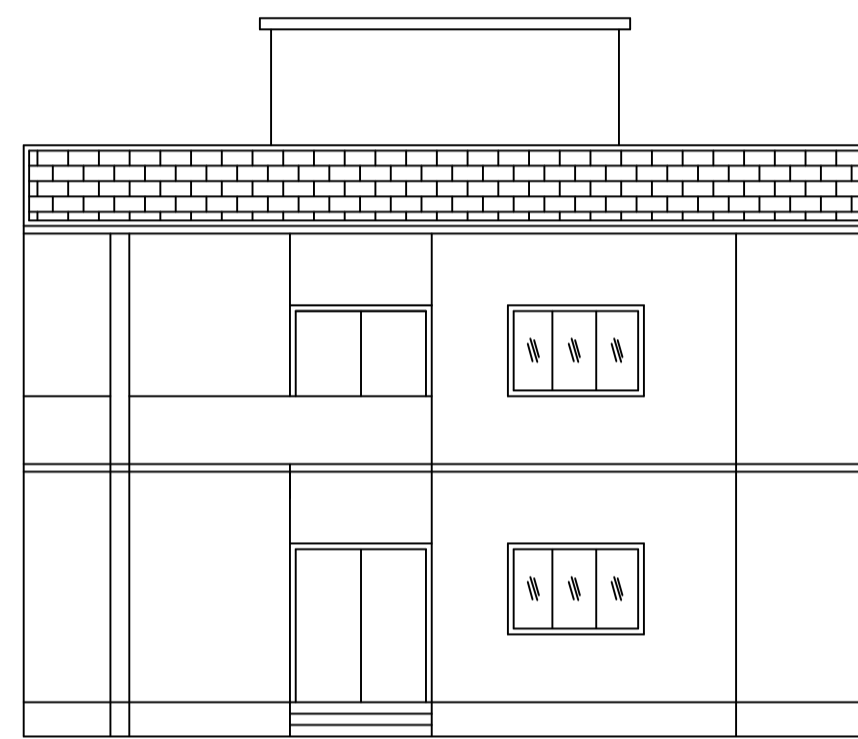
SITE PLAN



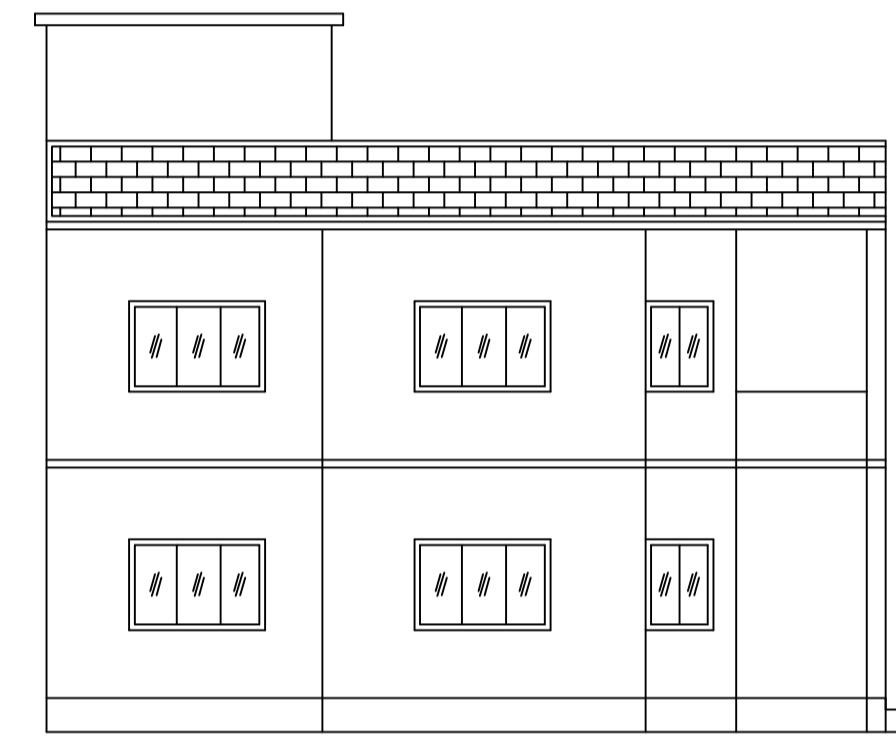
SECTION ON X-X



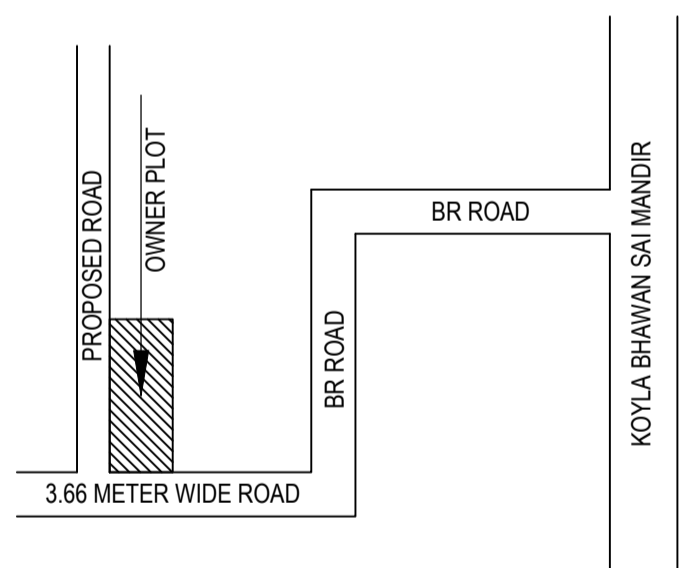
SECTION ON Y-Y



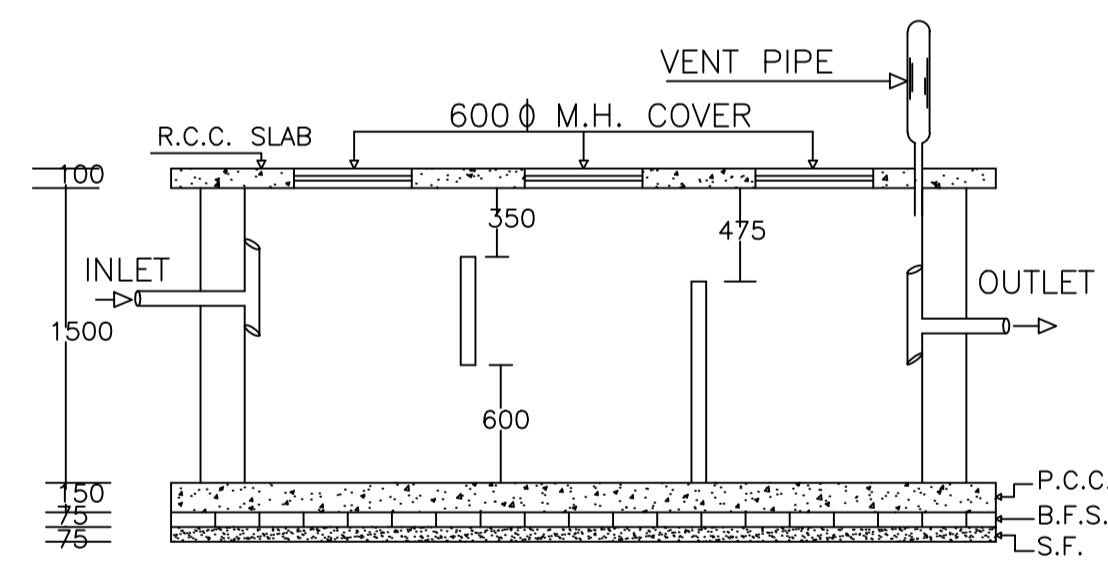
FRONT ELEVATION



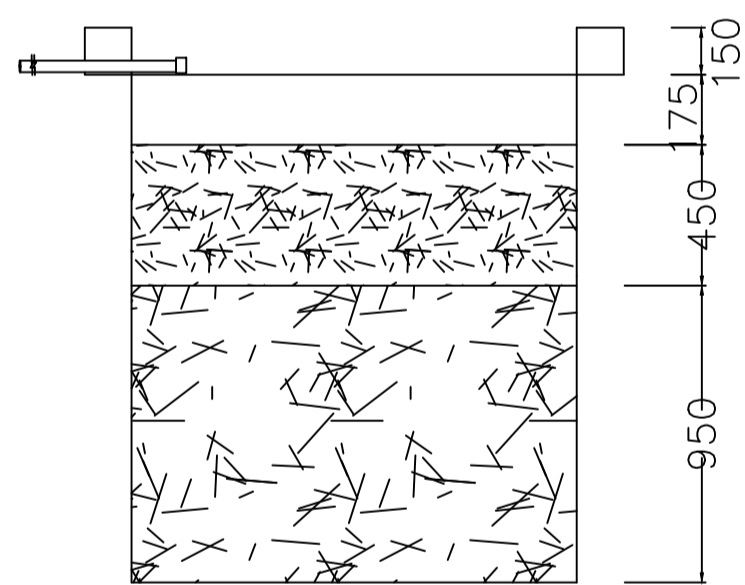
LEFT SIDE ELEVATION



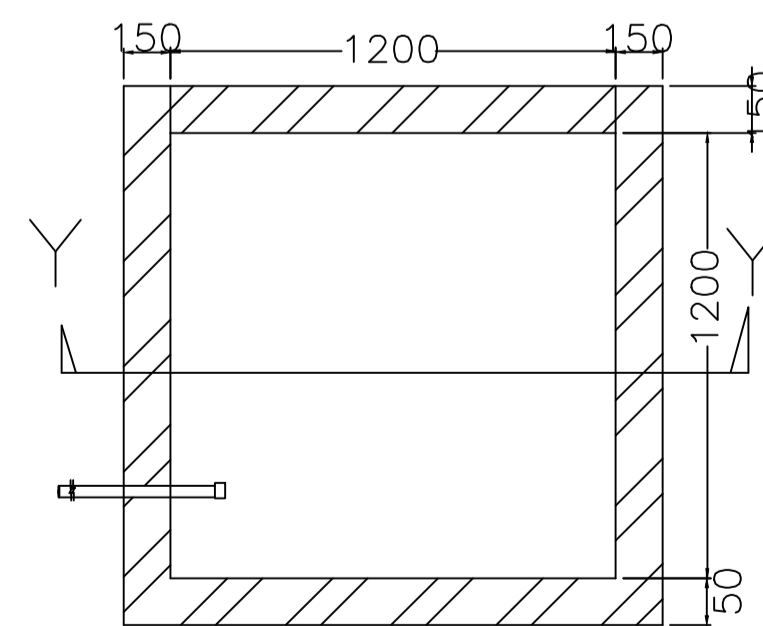
LOCATION PLAN



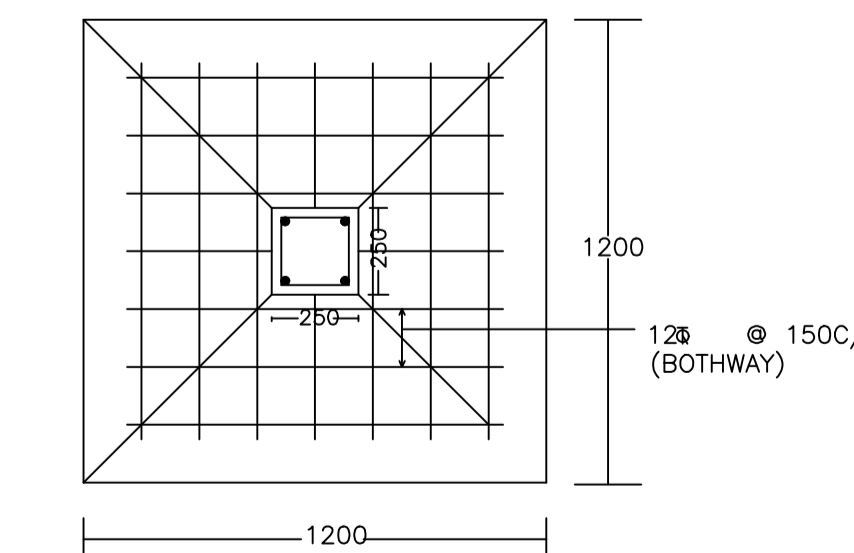
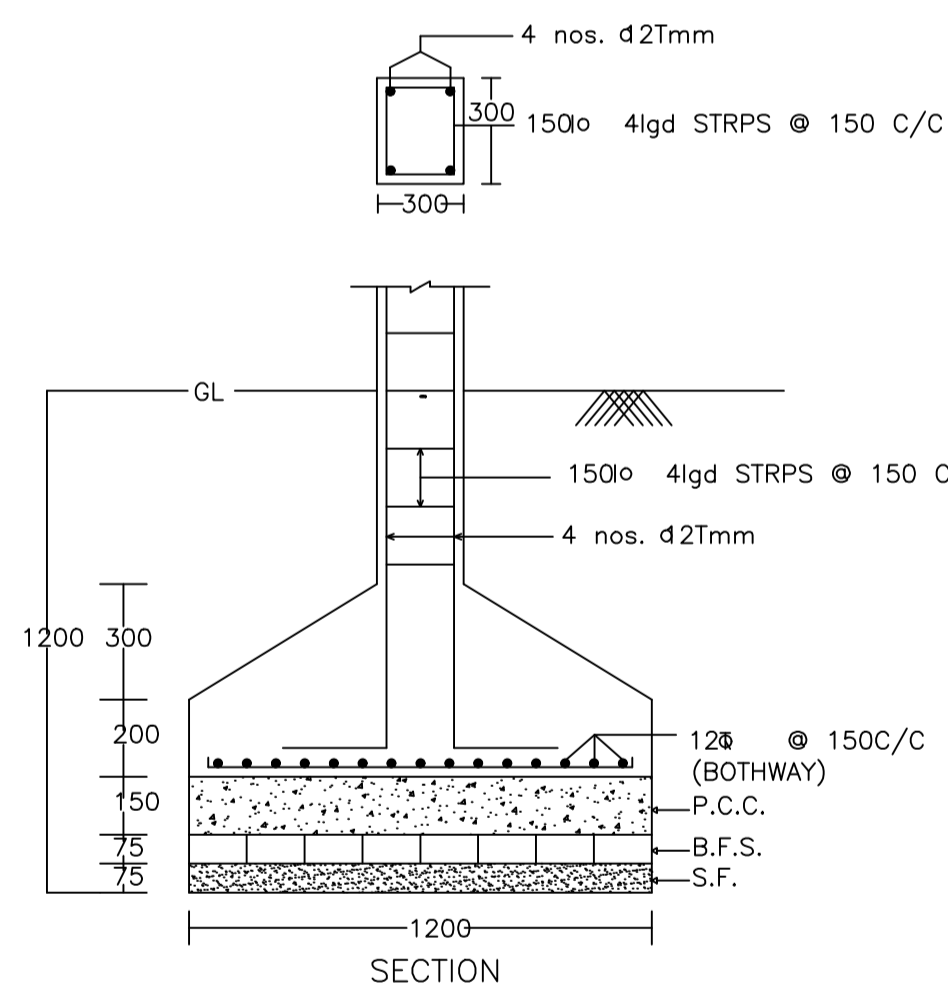
PLAN OF SEPTIC TANK



SECTION AT Y-Y



PLAN OF RECHARGE WELL



PLAN

DETAIL OF COLUMNS

SCHEDULE OF DOOR:

BUILDING NAME	NAME	LENGTH	HEIGHT	NOS
AA (AA)	D	0.90	2.10	04
AA (AA)	D	1.05	2.10	08
AA (AA)	D	1.88	2.10	04

SCHEDULE OF WINDOW/VENTILATION:

BUILDING NAME	NAME	LENGTH	HEIGHT	NOS
AA (AA)	W	0.90	1.20	06
AA (AA)	W	1.80	1.20	14

Building :AA (AA)

Floor Name	Total Built Up Area (Sq.mt.)	Proposed FAR Area (Sq.mt.)	Total FAR Area (Sq.mt.)	Total Consumed Additional FAR Area (Sq.mt.)	
Ground Floor	112.74	112.74	112.74	112.74	01
First Floor	112.74	112.74	112.74		00
Terrace Floor	0.00	0.00	0.00	0.00	00
Total :	225.48	225.48	225.48	225.48	01
Total Number of Same Buildings	1				
Total :	225.48	225.48	225.48	225.48	01

AREA STATEMENT MINERAL AREA DEVELOPMENT AUTHORITY	VERSION NO. : 1.0.61	
PROJECT DETAIL:	VERSION DATE: 16/10/2020	
Region: JHARKHAND URBAN LOCAL BODIES	Plot Use: Residential	
District: DHANBAD	Plot SubUse: Bungalow/ Dwelling / Non Apartment	
Authority: MINERAL AREA DEVELOPMENT AUTHORITY	PlotNearbyReligiousStructure: NA	
Inward No: MADA/BP/0309/2021	Plot/SubPlot No: 406 (Old), 430 (New)	
Application Type: General Proposal	North: Road Width - 3.66	
Project Type: Building Permission	South: Plot No. - PART OF THIS PLOT	
Nature of Development: New	East: Road Width - PROPOSED ROAD	
Location of Development Area: Old Area	West: Plot No. - PLOT NO. - 398 & 406 ANSH	
AREA DETAILS:	SQ.MT.	
AREA OF PLOT (Minimum)	(A)	243.27
NET AREA OF PLOT(Gross Plot Area - Deduction from Gross Plot area)	(A-Deductions)	243.27
Deduction for Balance Plot Area(from Gross Plot Area)		
Common Plot		31.41
Total		31.41
BALANCE AREA OF PLOT(Net Plot Area - Recreational/Amenity space)	(A-Deductions)	211.86
PLOT AREA FOR COVERAGE(Net Plot Area)	(A-Deductions)	243.27
Plot Area for FAR (Net Plot Area + Road/Widening Area)	(A-Deductions)	243.27
COVERAGE CHECK		
Permissible Coverage area (60.00 %)		145.96
Proposed Coverage Area (46.34 %)		112.74
Total Prop. Coverage Area (46.34 %)		112.74
Balance coverage area (13.66 %)		33.22
FAR CHECK		
Perm. FAR Area (1.50)		364.90
Total Perm. FAR area		364.90
Residential FAR		225.47
Proposed FAR area		225.47
Total Proposed FAR Area		225.47
Consumed FAR (Factor)		0.93
Balance FAR Area		139.43
BUILT UP AREA CHECK		
Total Proposed BuiltUp Area		225.48
ARCHITECT (Regd)	JAI PRAKASH NIRALA	
ENGINEER (Regd)		
SUPERVISOR (Regd)		
OWNER (Regd)	SMT. RAJ KUMARI DEVI.	
DEVELOPMENT AUTHORITY		LOCAL BODY

COLOR INDEX	
PLOT BOUNDARY	Black
ABUTTING ROAD	Green
PROPOSED CONSTRUCTION	Red
COMMON PLOT	Yellow
ROAD WIDENING AREA	Blue
EXISTING (To be retained)	Grey
EXISTING (To be demolished)	White

Buildingwise Floor FAR Details

Floor Name	Building Name		Total	
	Proposed Built Up Area (Sq.mt.)	Proposed FAR Area (Sq.mt.)	Total Proposed Built Up Area (Sq.mt.)	Total FAR Area (Sq.mt.)
Ground Floor	112.74	112.74	112.74	112.74
First Floor	112.74	112.74	112.74	112.74
Terrace Floor	0.00	0.00	0.00	0.00
Total :	225.48	225.48	225.48	225.48

Building USE/SUBUSE Details

Building Name	Building Use	Building SubUse	Building Structure
AA (AA)	Residential	Bungalow/ Dwelling / Non Apartment	Non-Highrise

UnitBUA Table for Building :AA (AA)

FLOOR	Name	UnitBUA Type	UnitBUA Area	Carpet Area	No. of Rooms	No. of Tenement
GROUND FLOOR PLAN	SPLIT AA	FLAT	225.47	225.22	8	1
FIRST FLOOR PLAN	SPLIT AA	FLAT	0.00	0.00	8	0
Total:	-	-	225.47	225.22	16	1

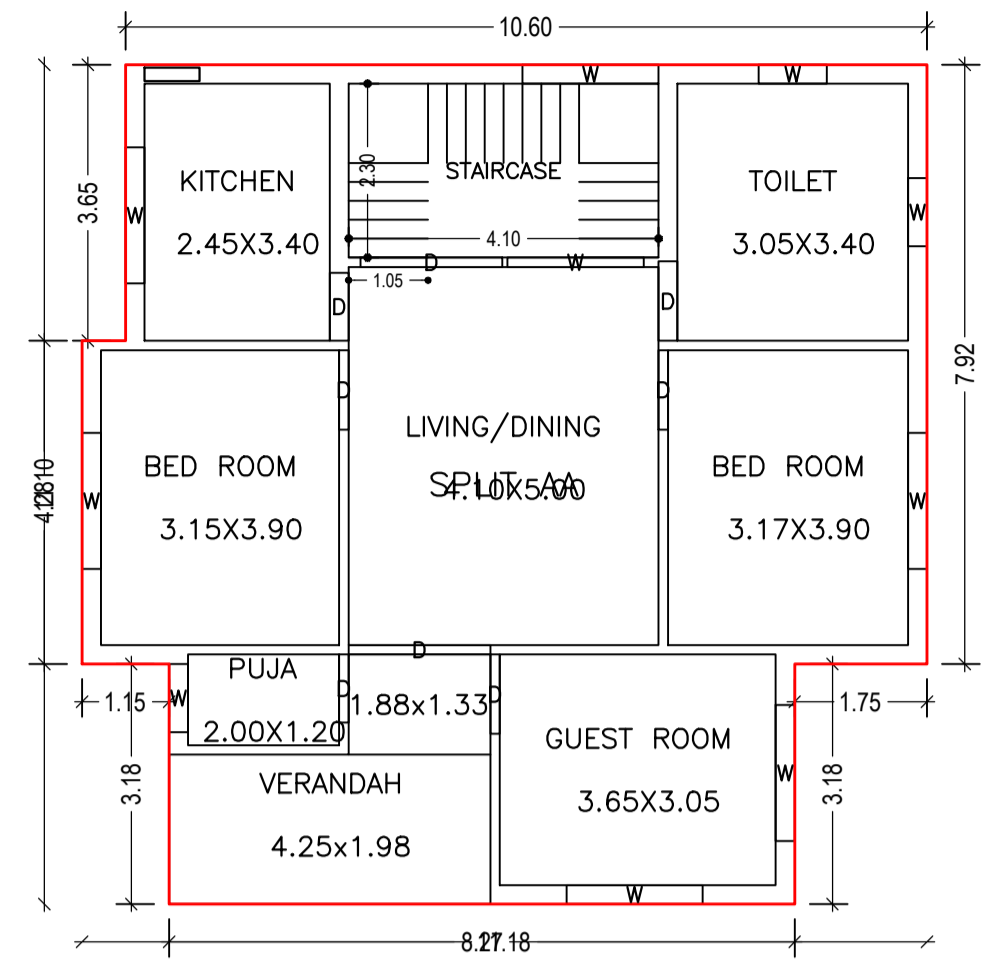
FAR & Tenement Details (Table 4c-1)

Building	No. of Same Bldg	Total Built Up Area (Sq.mt.)	Proposed FAR Area (Sq.mt.)	Total FAR Area (Sq.mt.)	Total Consumed Additional FAR Area (Sq.mt.)	Trmt (No.)
AA (AA)	1	225.48	225.48	225.48	225.48	01
Grand Total :	1	225.48	225.48	225.48	225.48	01

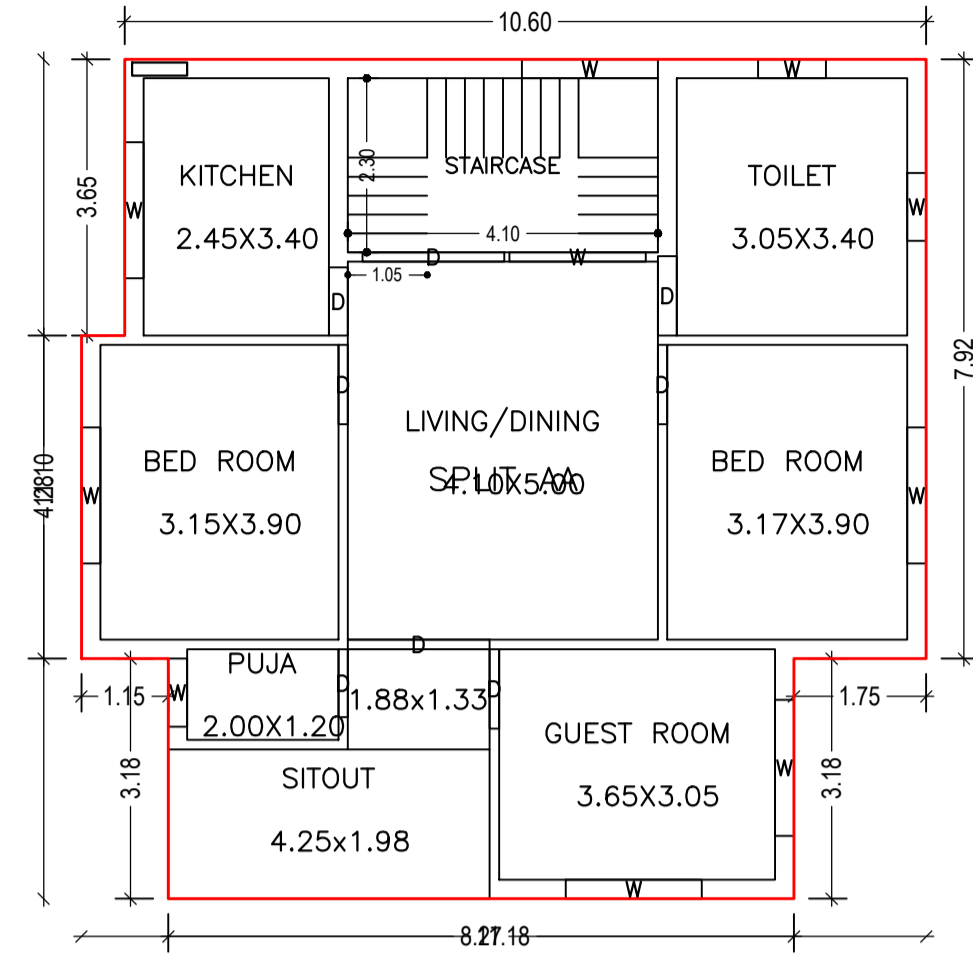
LTP NAME AND SIGNATURE	STRUCTURAL ENG'S NAME AND SIGNATURE	BUILDER NAME AND SIGNATURE	DIGITAL SIGNATURE
JAI PRAKASH NIRALA MADA/DFTMIN/0002/2020			

Proposal Basic Information

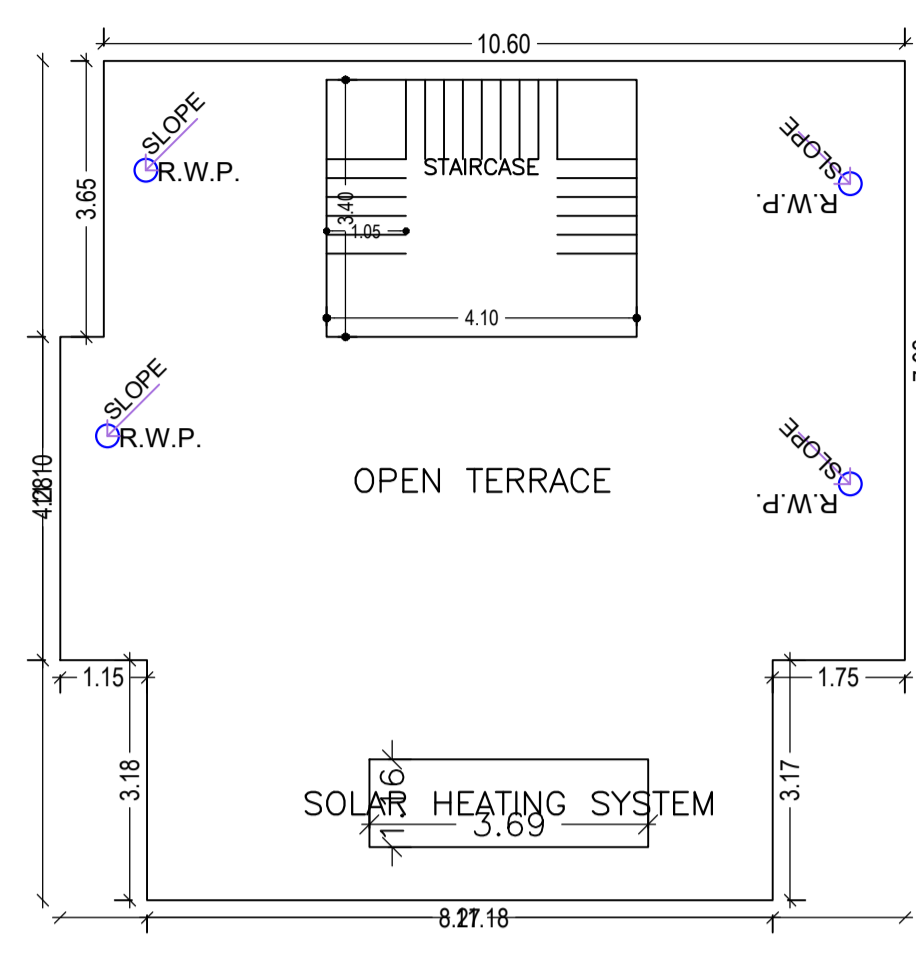
Proposal File No.	MADA/FP/0309/2021
Owner Name	SMT. RAJKUMARI DEVI.
Khata No	28 (Old), 181 (New)
Plot No	406 (Old), 430 (New)
Village Name	Damodarpur
Use	Residential
SubUse	Bungalow/ Dwelling / Non Apartment



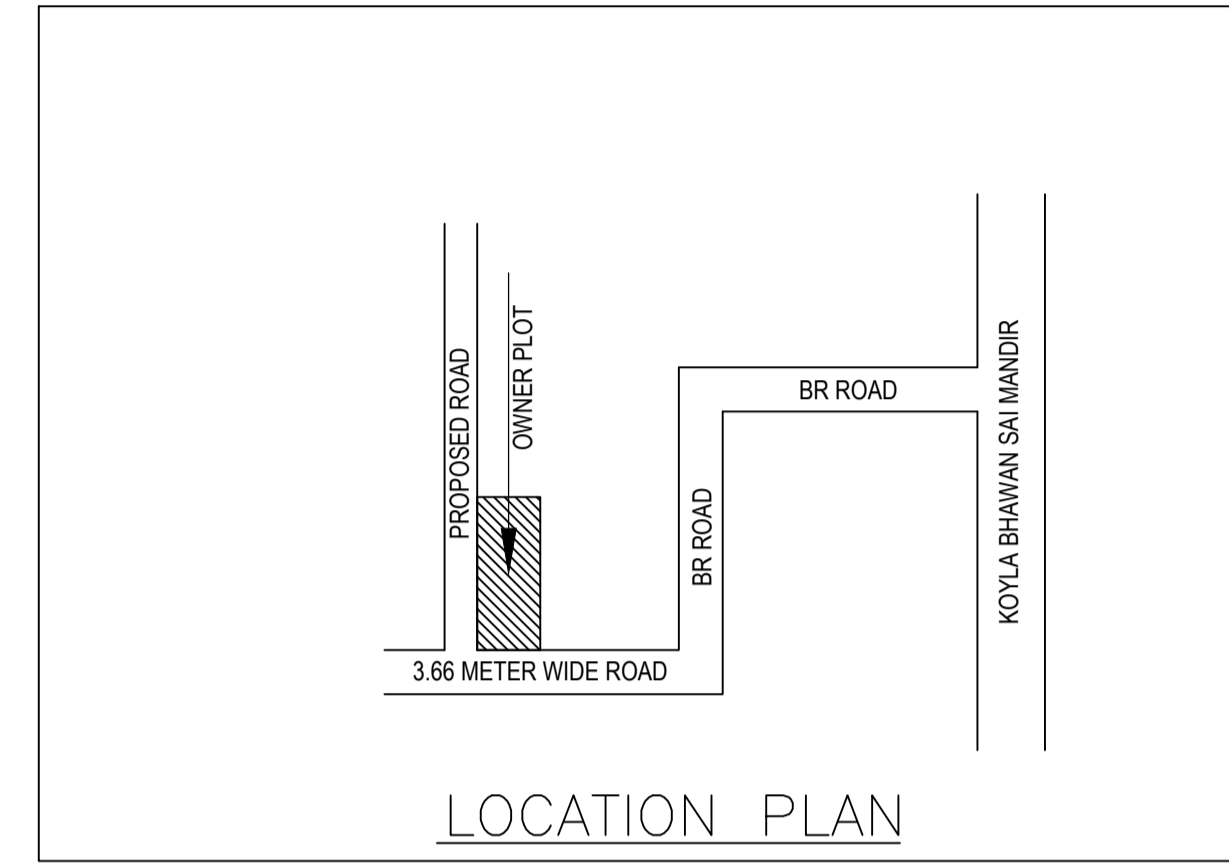
GROUND FLOOR PLAN
(Proposed)
(SCALE 1:100)



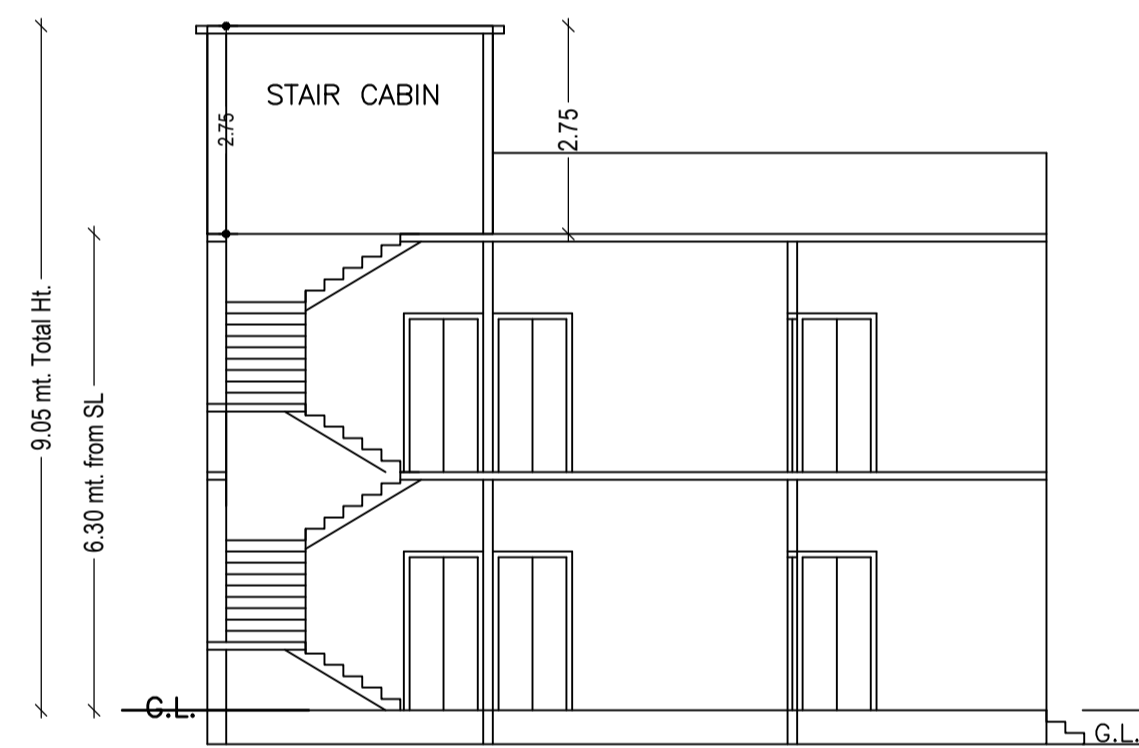
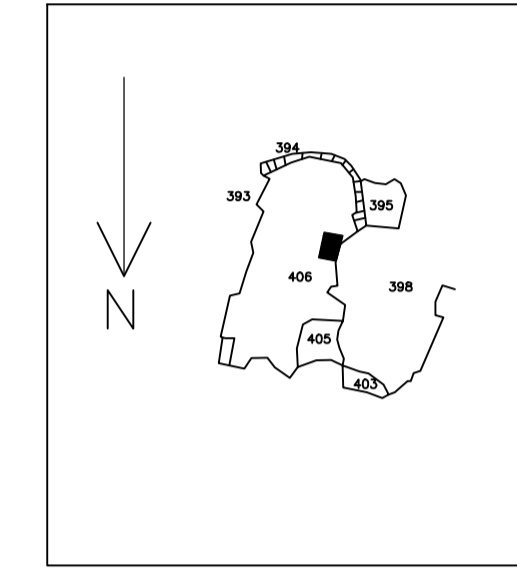
FIRST FLOOR PLAN
(Proposed)
(SCALE 1:100)



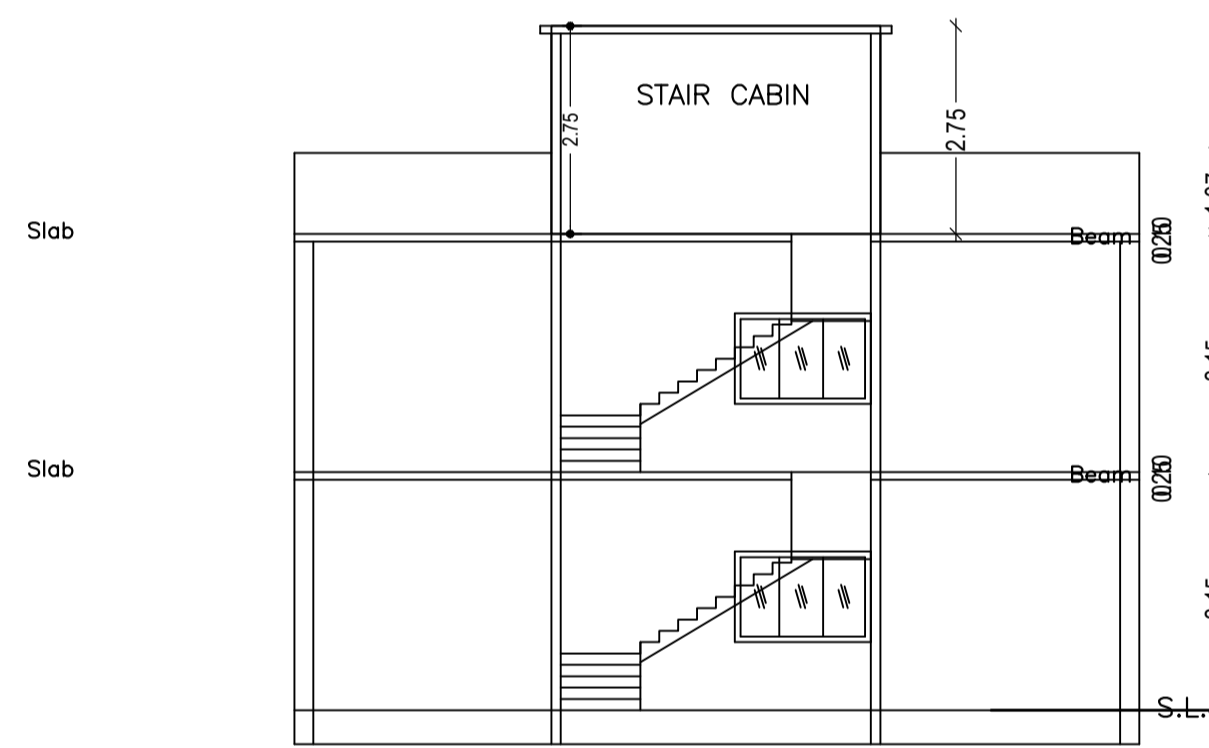
TERRACE FLOOR PLAN
(SCALE 1:100)



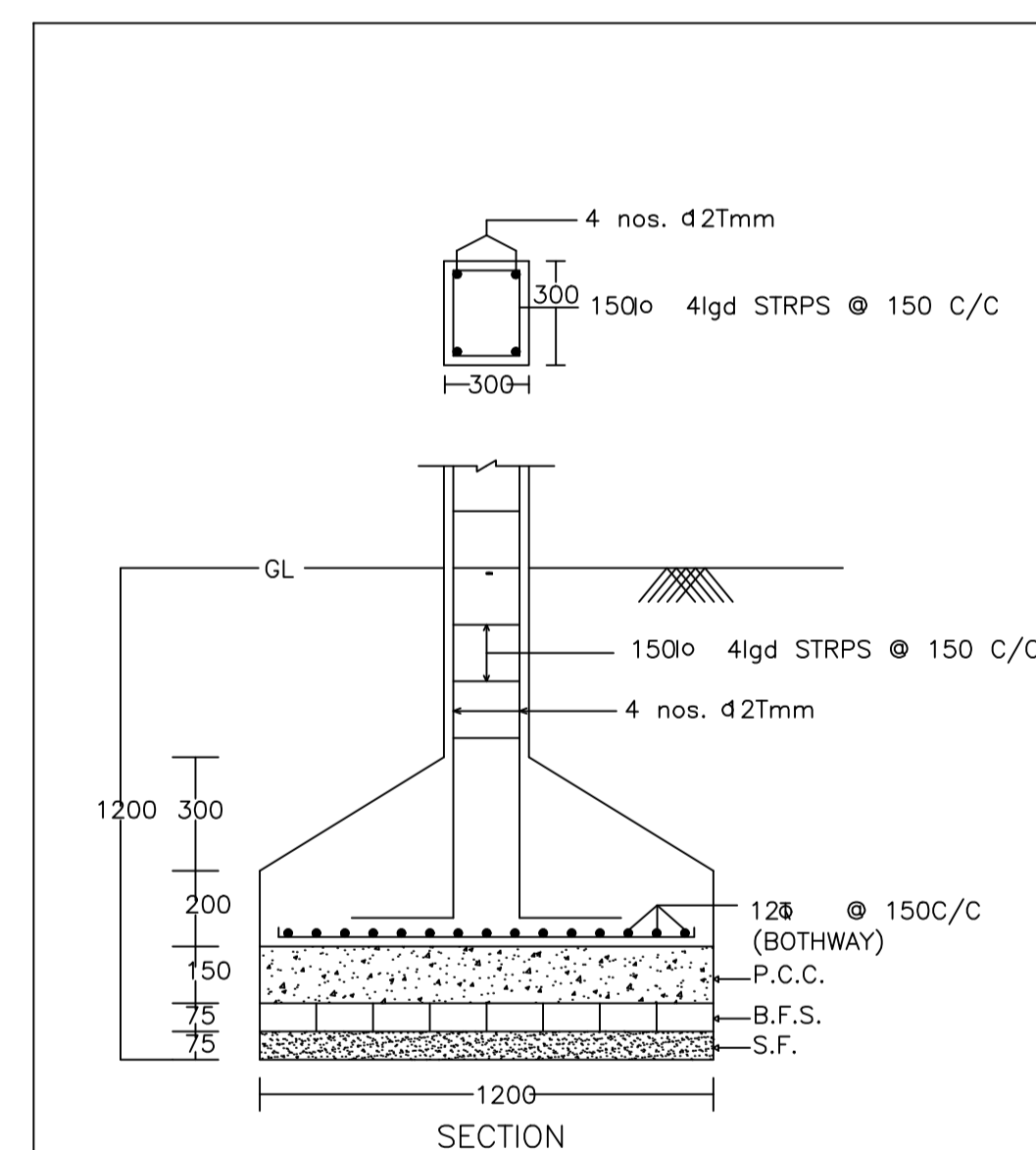
LOCATION PLAN



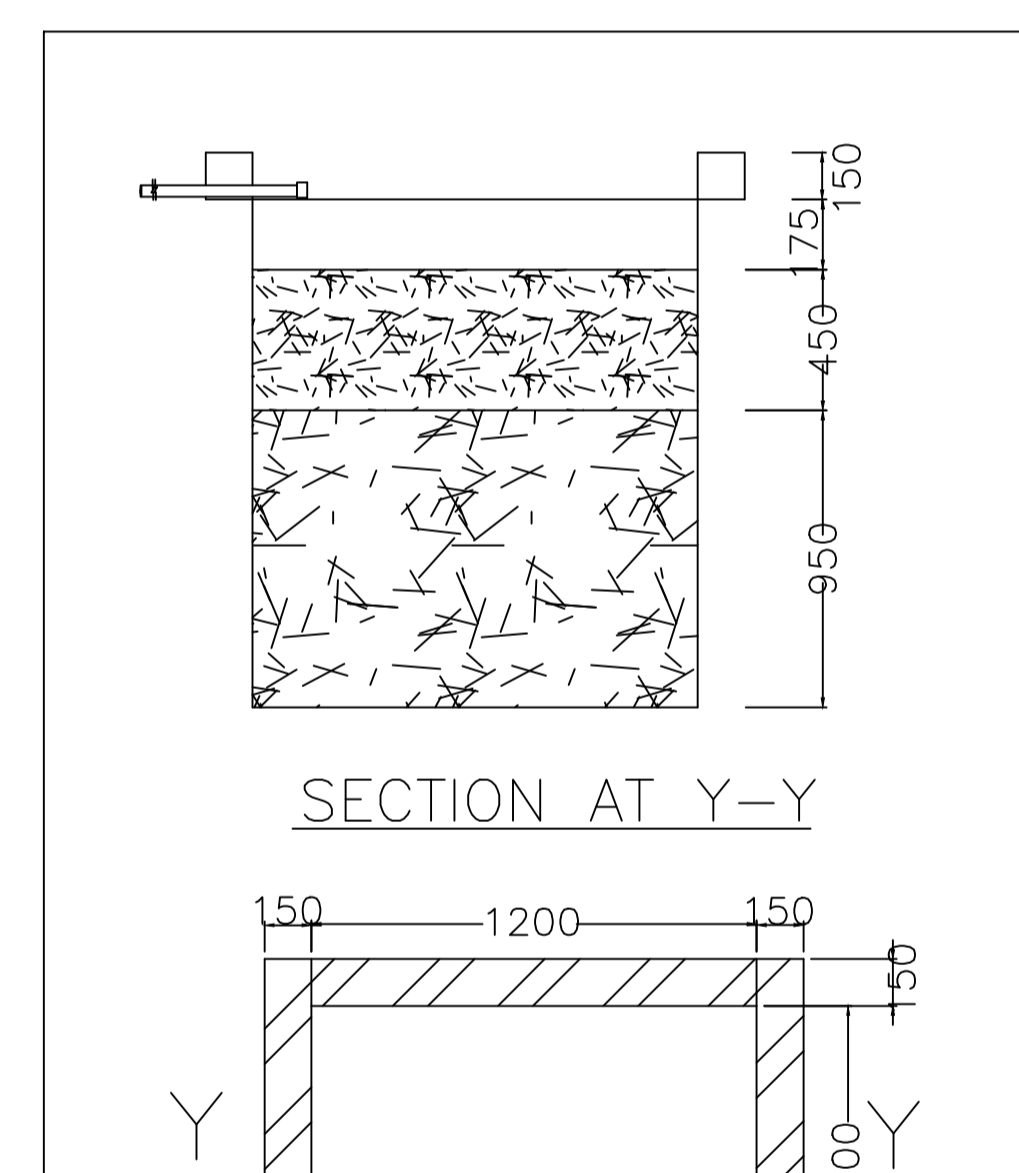
SECTION ON X-X



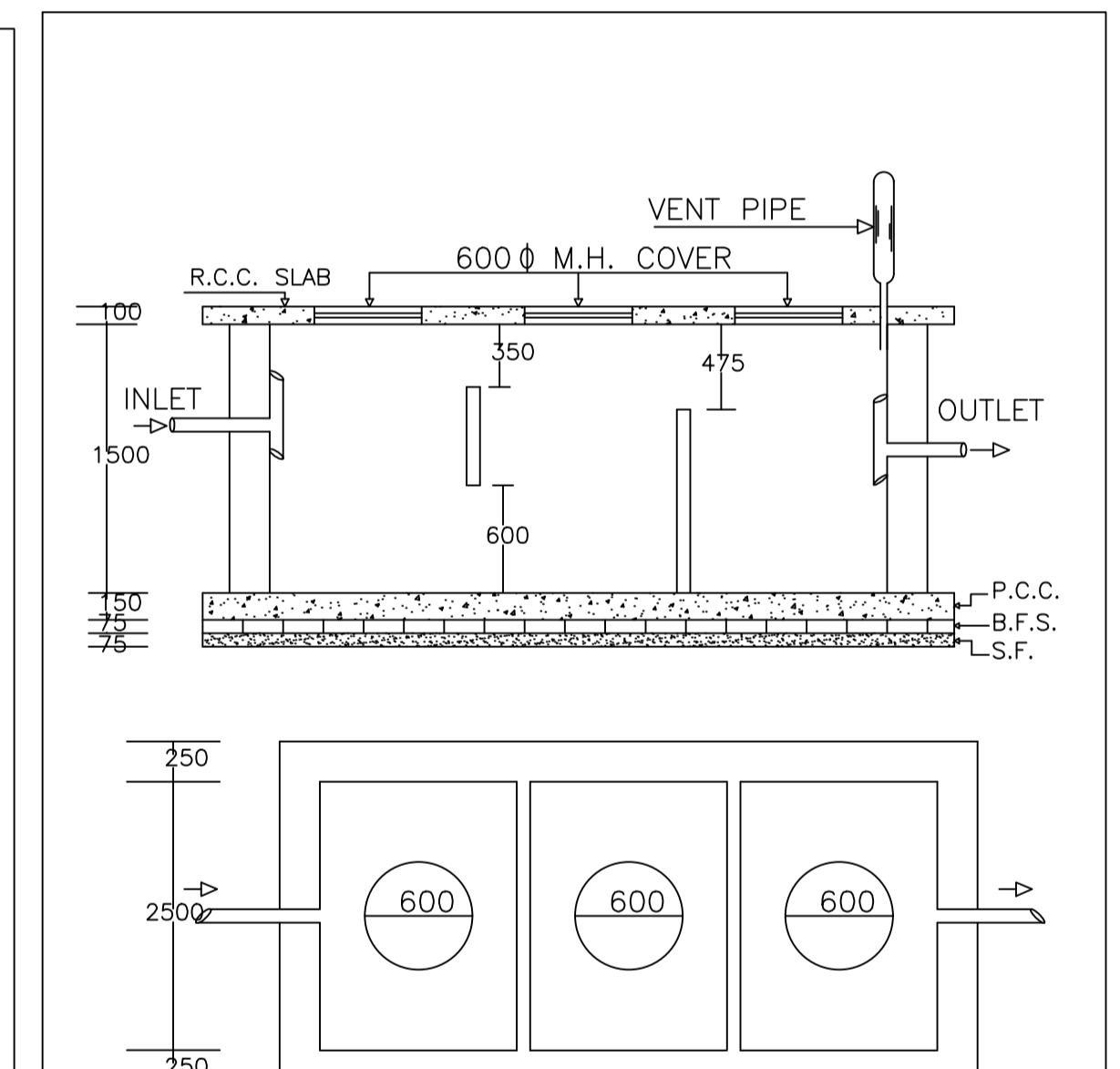
SECTION ON Y-Y



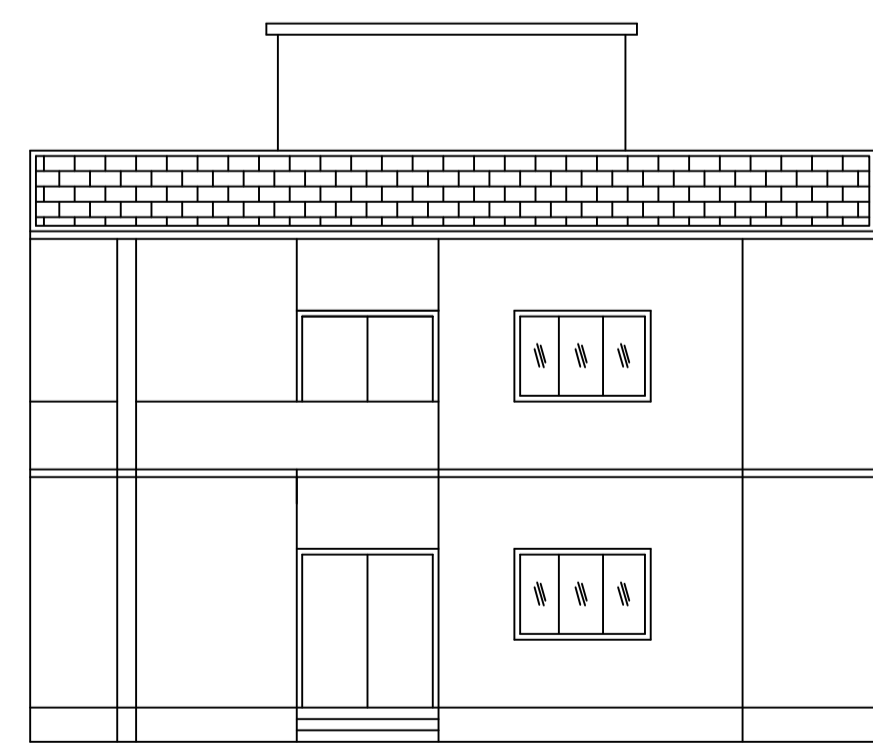
PLAN
DETAIL OF COLUMNS



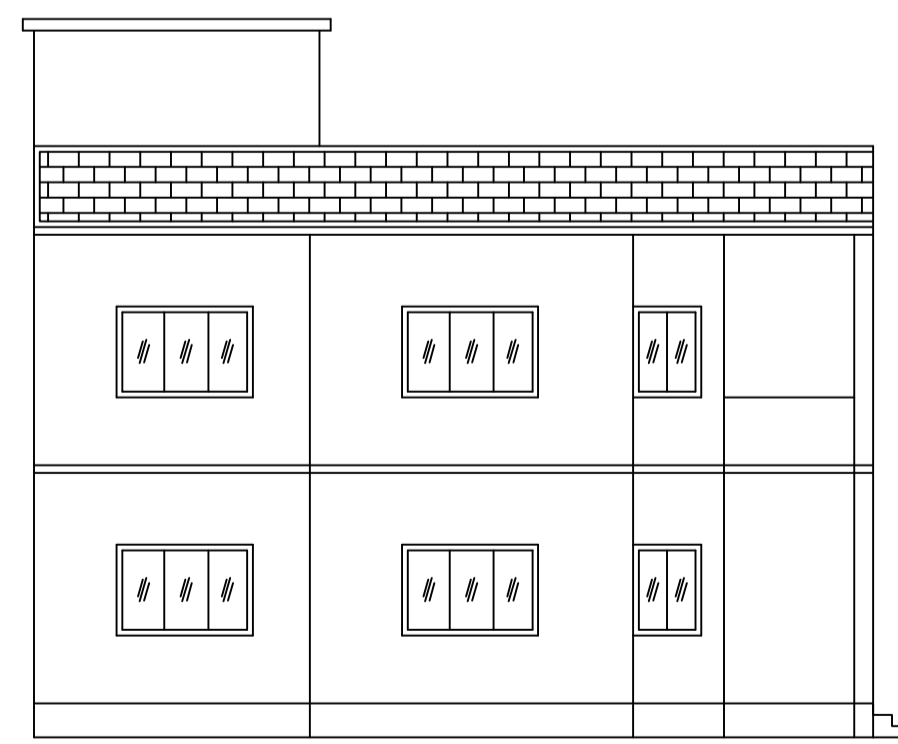
PLAN OF RECHARGE WELL
WATER HARVESTING



PLAN OF SEPTIC TANK



FRONT ELEVATION



LEFT SIDE ELEVATION

LTP NAME AND SIGNATURE	STRUCTURAL ENG'S NAME AND SIGNATURE	BUILDER NAME AND SIGNATURE	DIGITAL SIGNATURE
JAI PRAKASH NIRALA MADA/DFTMN/0002/2020			