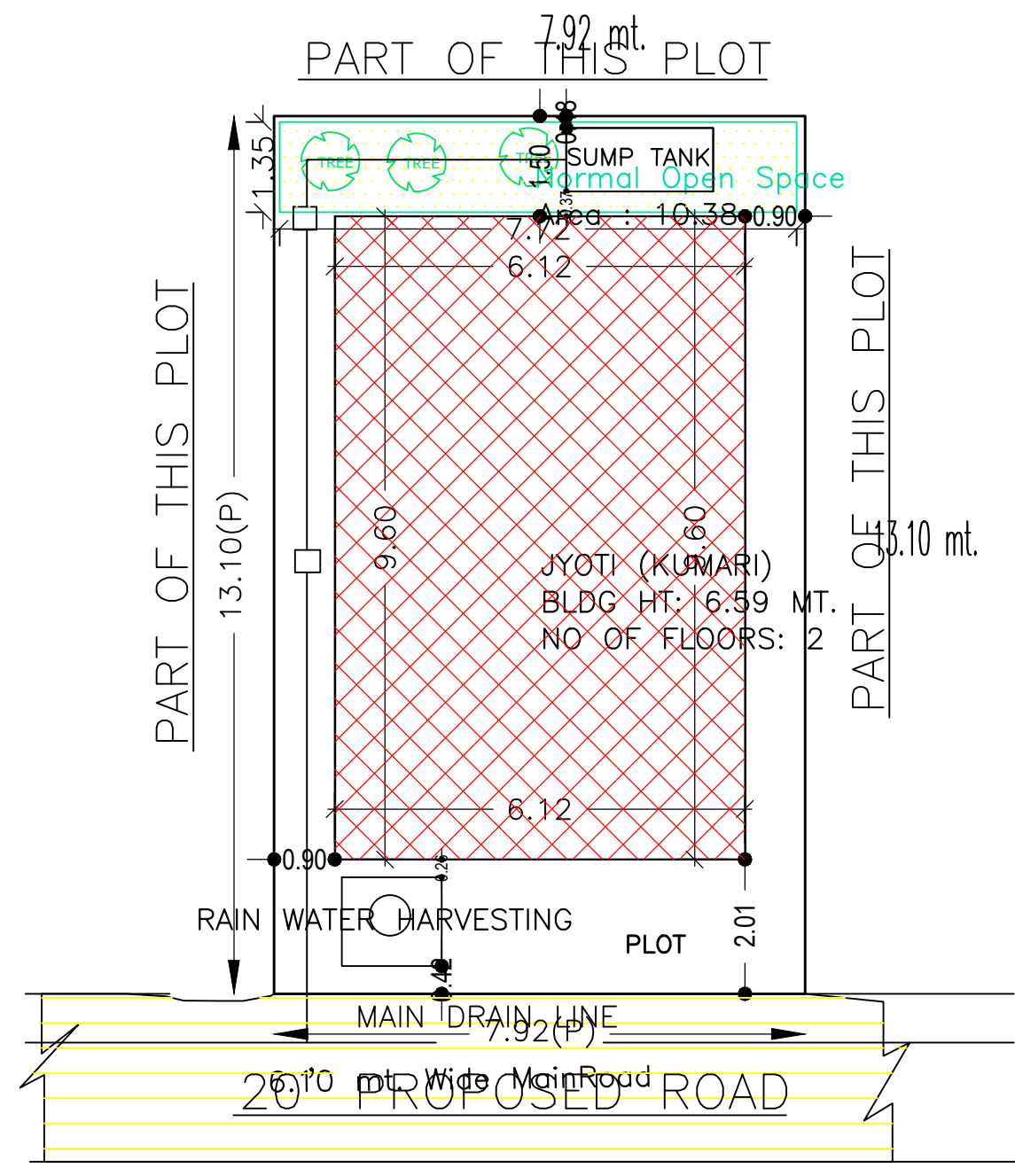


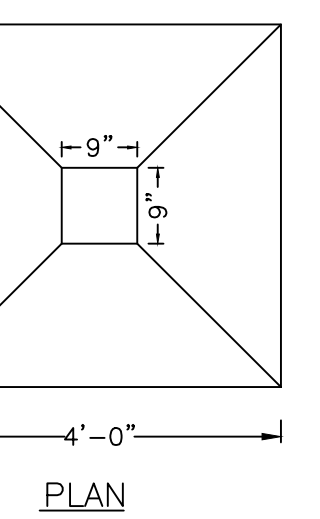
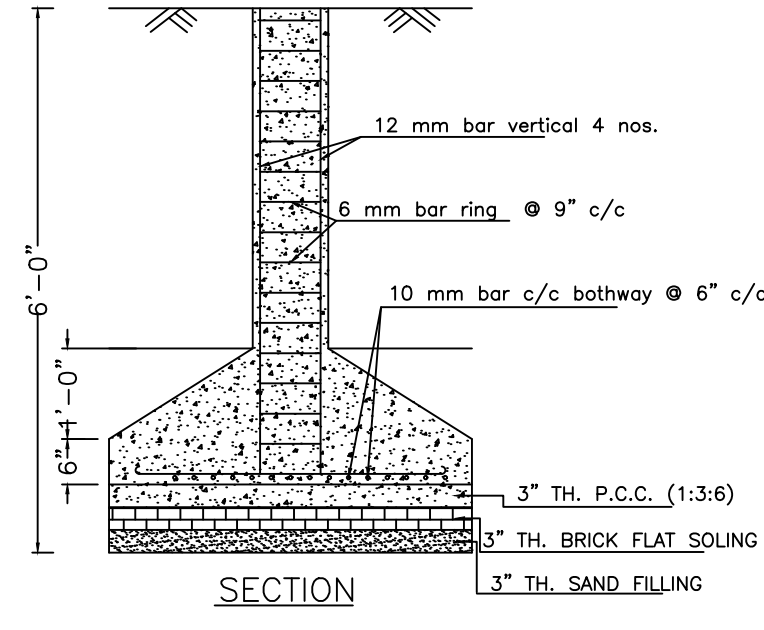
Proposal Basic Information

Proposal File No.	MADA/BP/0349/2021
Owner Name	SMT. JYOTI KUMARI
Khata No	OLD KHATA NO-10, NEW KHATA NO-133
Plot No	OLD PLOT NO. 502, NEW PLOT NO. 1446
Village Name	Jialgora
Use	Residential
SubUse	Bungalow/ Dwelling / Non Apartment

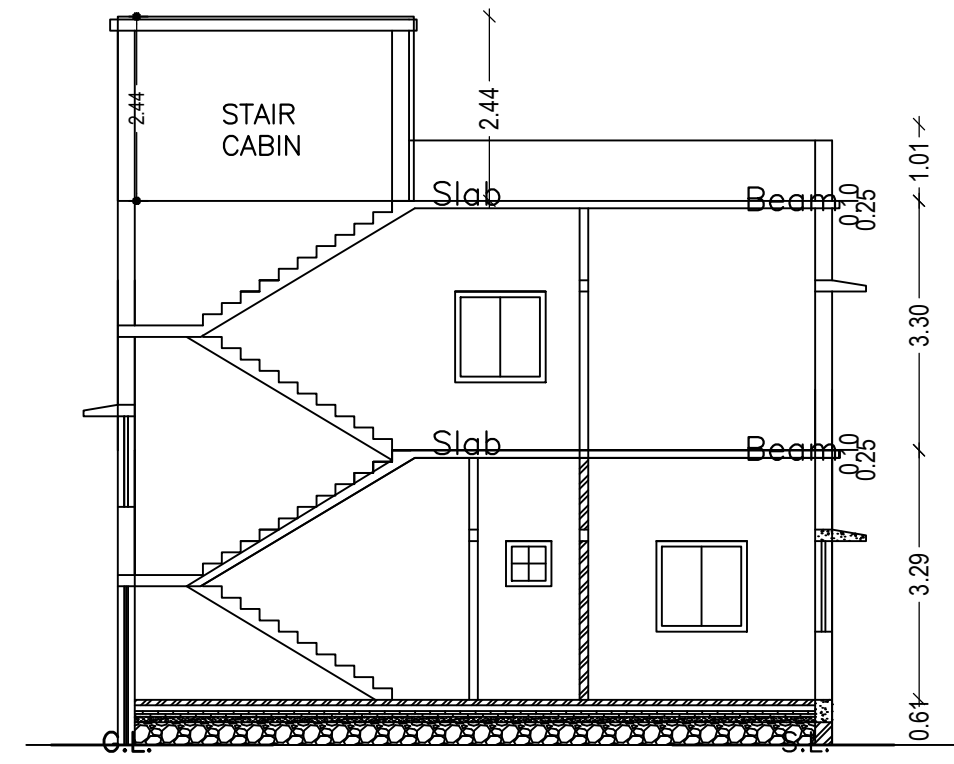
AREA STATEMENT MINERAL AREA DEVELOPMENT AUTHORITY	VERSION NO.: 1.0.62	VERSION DATE: 16/10/2020
PROJECT DETAIL:		
Region: JHARKHAND URBAN LOCAL BODIES	Plot Use: Residential	
District: DHANBAD	Plot SubUse: Bungalow/ Dwelling / Non Apartment	
Authority: MINERAL AREA DEVELOPMENT AUTHORITY	PlotNearby/ReligiousStructure: NA	
Inward No: MADA/BP/0349/2021	Plot/SubPlot No: OLD PLOT NO. 502, NEW PLOT NO. 1446	
Application Type: General Proposal	North: Plot No. - SAME PLOT	
Project Type: Building Permission	South: Plot No. - SAME PLOT	
Nature of Development: New	East: Road Width - 6.10	
Location of Development Area: Old Area	West: Plot No. - SAME PLOT	
AREA DETAILS:		
AREA OF PLOT (Minimum)	(A)	SQ.MT. 103.82
NET AREA OF PLOT(Gross Plot Area - Deduction from Gross Plot area)	(A-Deductions)	103.82
Deduction for Balance Plot Area(from Gross Plot Area)		
Common Plot		10.38
Total		10.38
BALANCE AREA OF PLOT(Net Plot Area - Recreational/Amenity space)	(A-Deductions)	93.44
PLOT AREA FOR COVERAGE(Net Plot Area)	(A-Deductions)	103.82
Plot Area for FAR (Net Plot Area + Road/Widening Area)	(A-Deductions)	103.82
COVERAGE CHECK		
Permissible Coverage area (70.00 %)		72.67
Proposed Coverage Area (56.61 %)		58.77
Total Prop. Coverage Area (56.61 %)		58.77
Balance coverage area (13.39 %)		13.90
FAR CHECK		
Perm. FAR Area (2.50)		259.55
Total Perm. FAR area		259.55
Residential FAR		117.55
Proposed FAR Area		117.55
Total Proposed FAR Area		117.55
Consumed FAR (Factor)		1.13
Balance FAR Area		142.00
BUILT UP AREA CHECK		
Total Proposed BuiltUp Area		118.41
ARCHITECT (Regd)		RAM PRATAP SINGH
ENGINEER (Regd)		
SUPERVISOR (Regd)		
OWNER (Regd)		SMT. JYOTI KUMARI
DEVELOPMENT AUTHORITY		LOCAL BODY



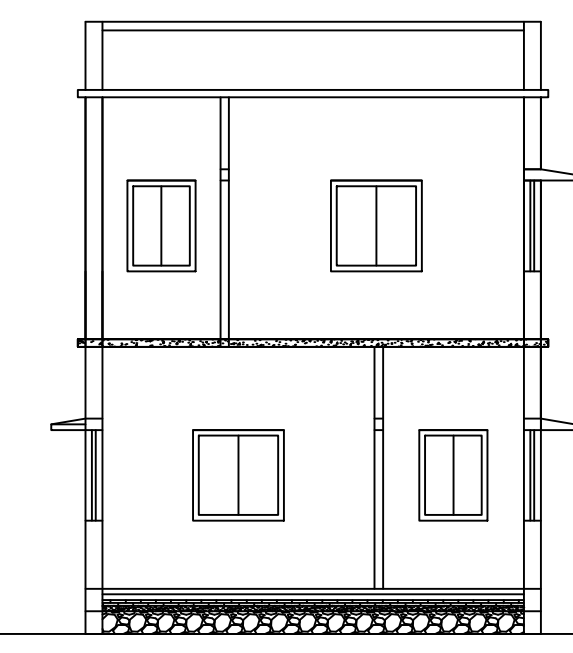
SITE PLAN
SCALE - 1" = 16'-0"



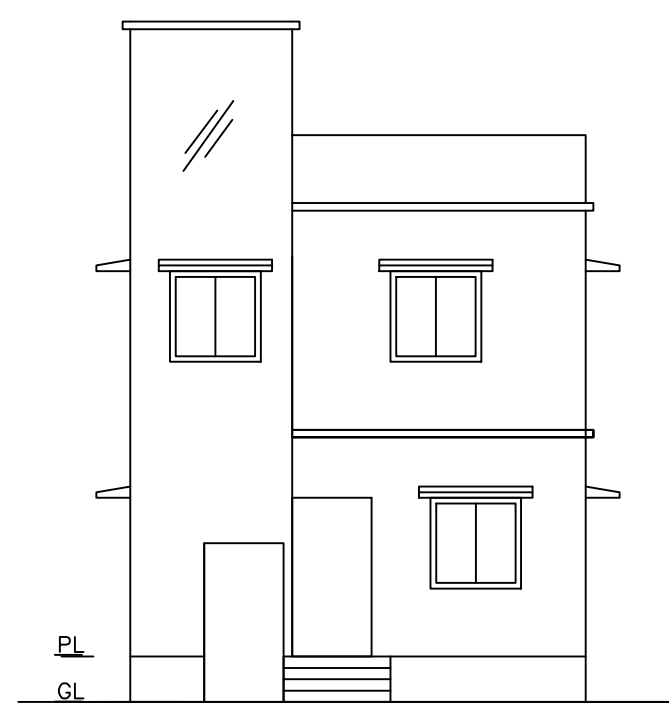
DETAILS OF COLUMN FOUNDATION
SCALE - 1" = 2'-0"



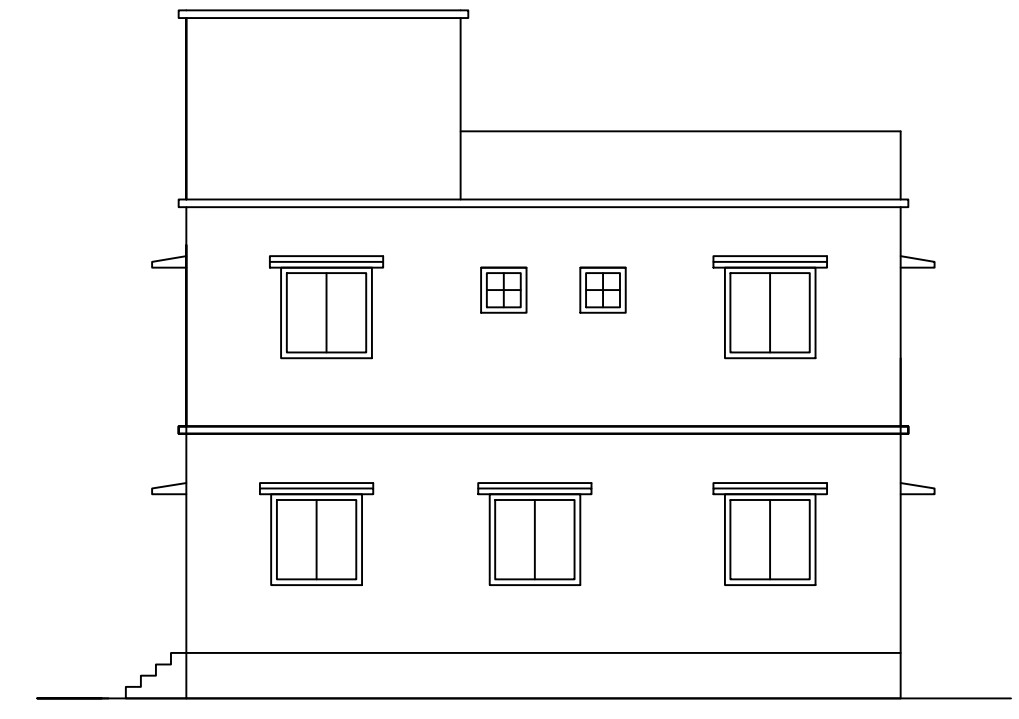
SECTION - XX'
SCALE - 1" = 8'-0"



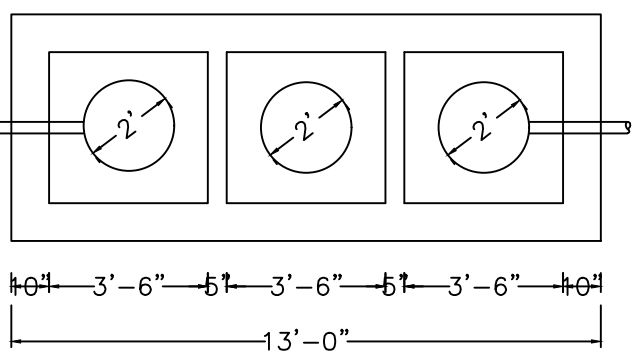
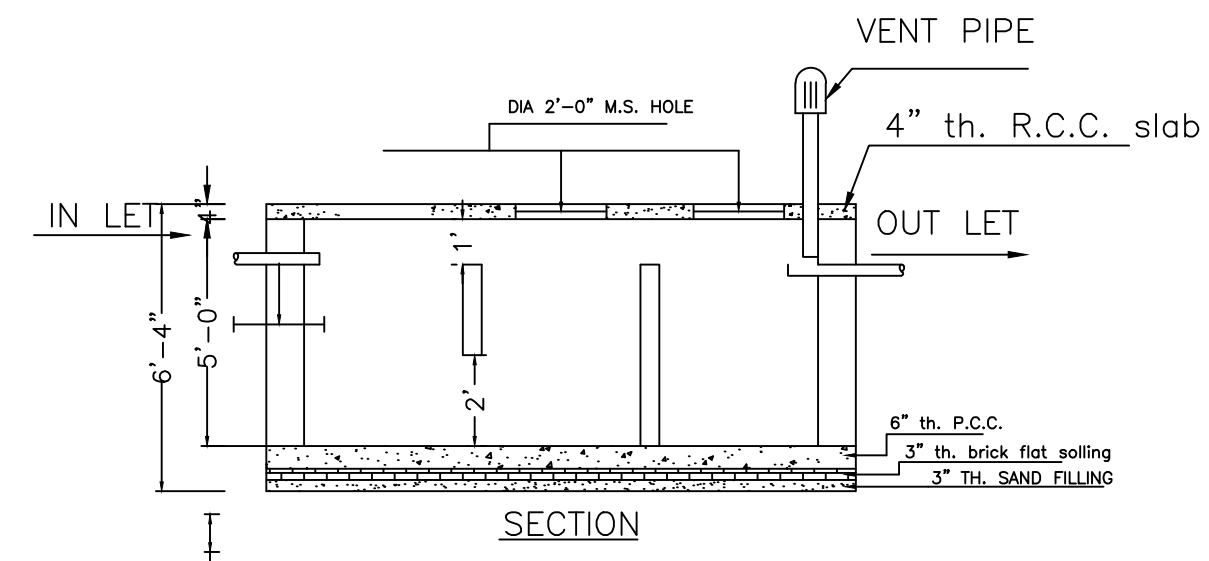
SECTION - YY'
SCALE - 1" = 8'-0"



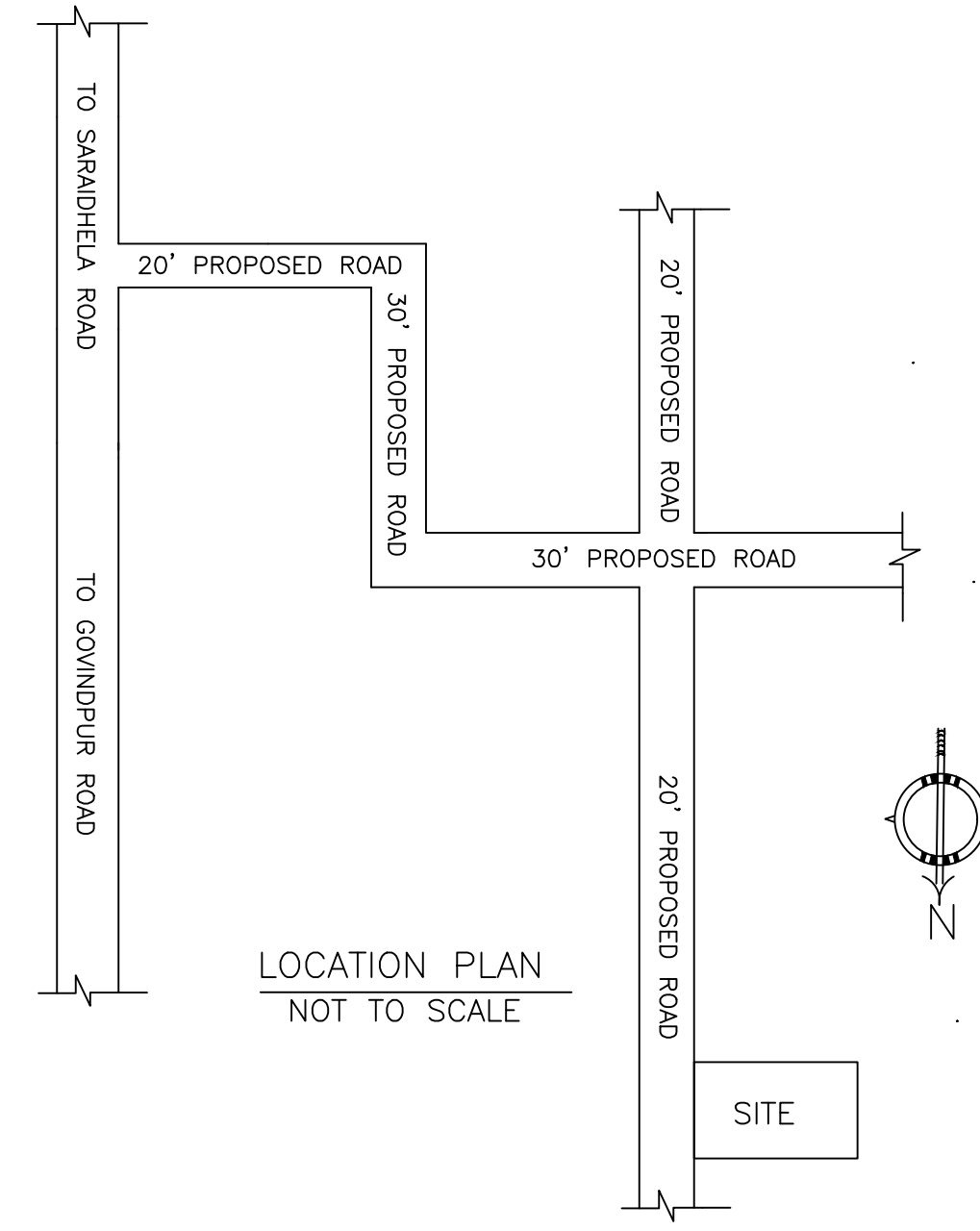
FRONT ELEVATION
SCALE - 1" = 8'-0"



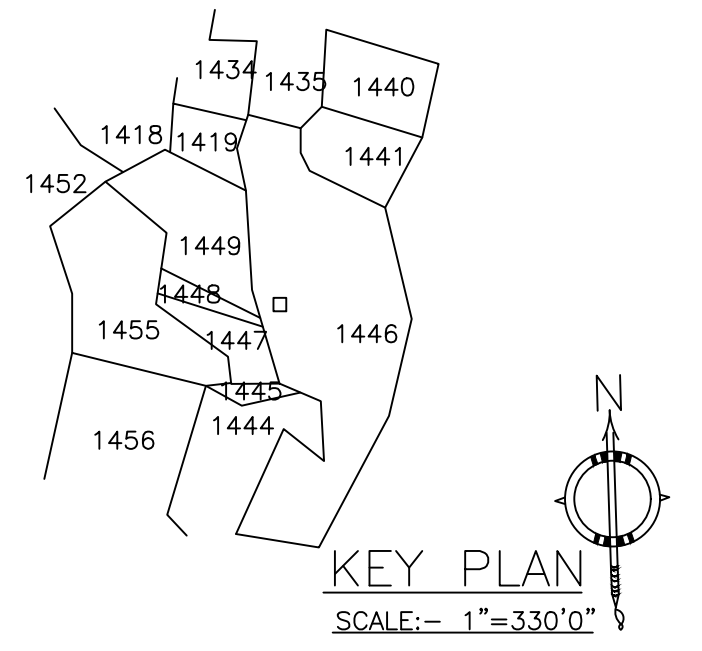
RIGHT SIDE ELEVATION
SCALE - 1" = 8'-0"



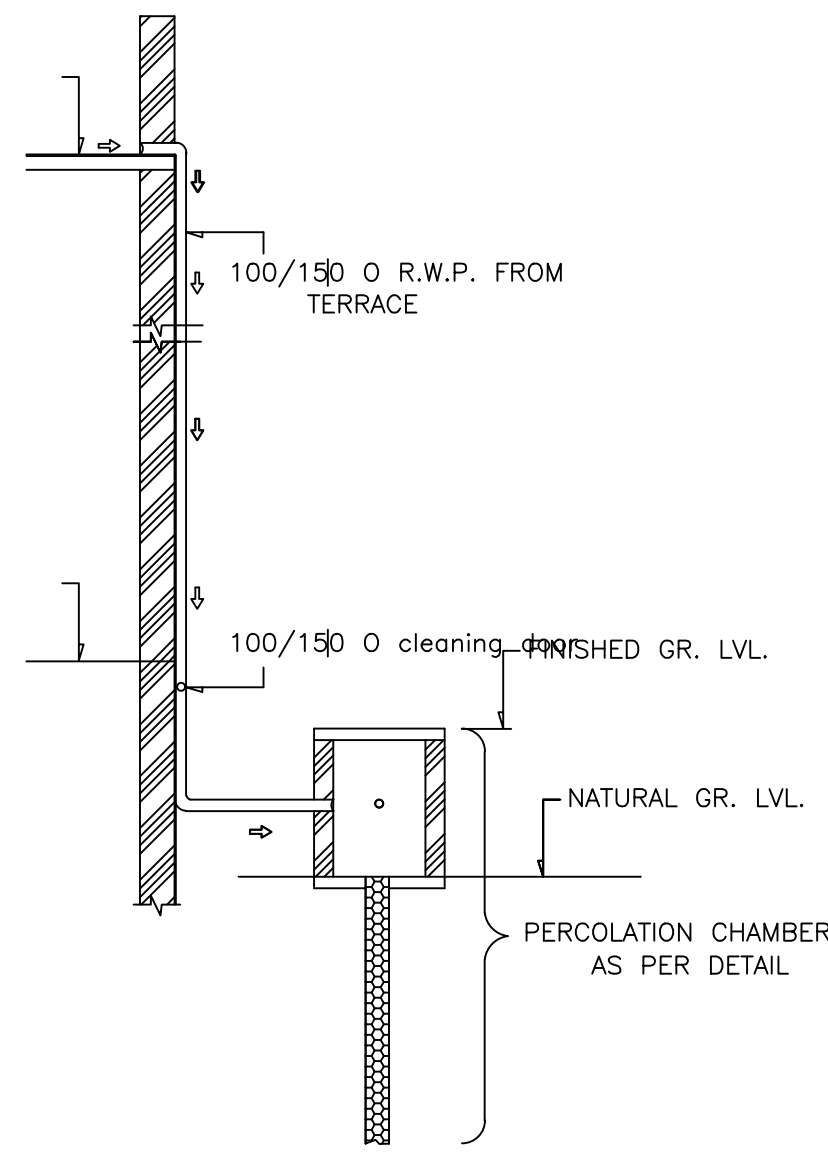
DETAILS OF SEPTIC TANK
SCALE - 1" = 4'-0"



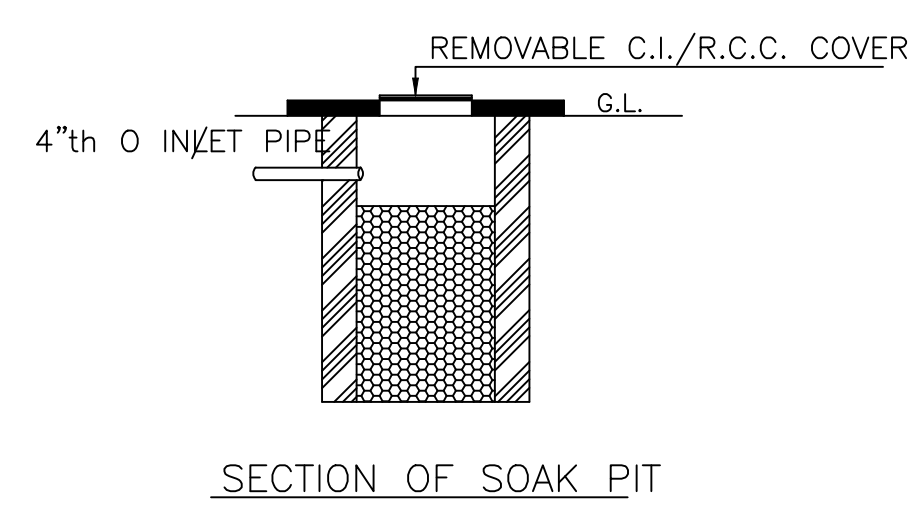
LOCATION PLAN
NOT TO SCALE



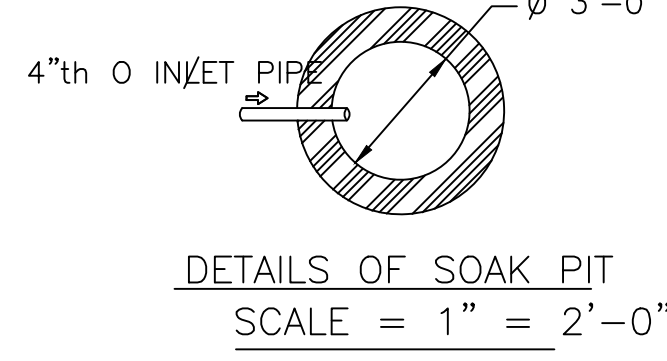
KEY PLAN
SCALE:- 1"=330'0"



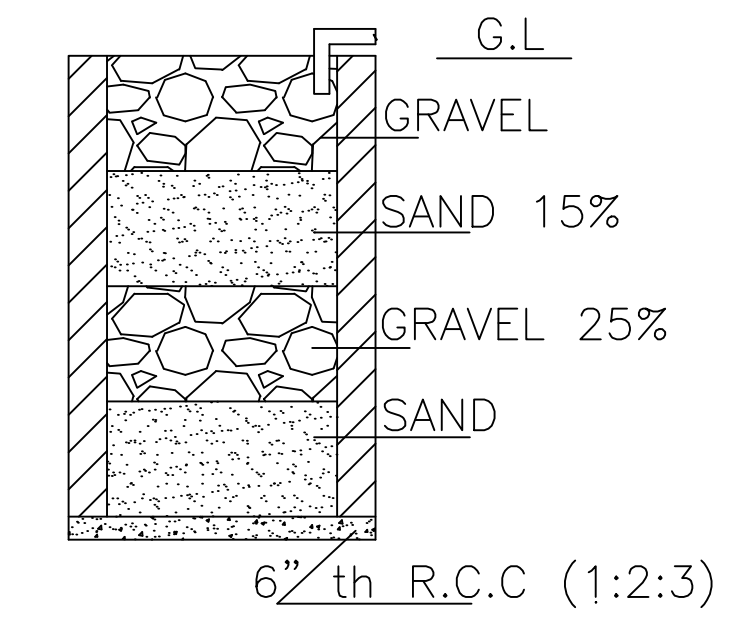
ROOF TOP RAIN WATER COLLECTION SYSTEM
SCALE = 1" = 4'-0"



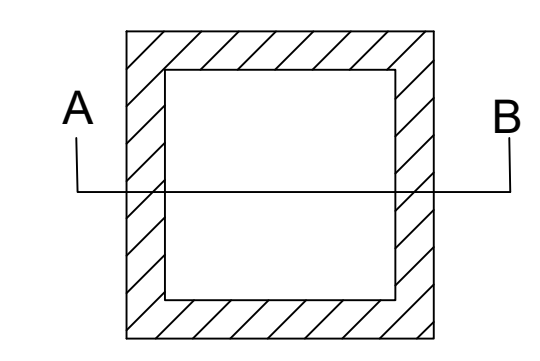
SECTION OF SOAK PIT



DETAILS OF SOAK PIT
SCALE = 1" = 2'-0"



SECTION ON A - B



DETAILS DRAWING OF RAIN WATER HARVESTING
SCALE:- 1"=2'-0"

COLOR INDEX

PLOT BOUNDARY	Black
ABUTTING ROAD	Green
PROPOSED CONSTRUCTION	Red
COMMON PLOT	Yellow
ROAD WIDENING AREA	Blue
EXISTING (To be retained)	Orange
EXISTING (To be demolished)	Grey

Buildingwise Floor FAR Details

Floor Name	Building Name: JYOTI (KUMARI)		Total	
	Proposed Built Up Area (Sq.mt.)	Proposed FAR Area (Sq.mt.)	Total Proposed Built Up Area (Sq.mt.)	Total FAR Area (Sq.mt.)
Ground Floor	59.64	58.77	59.64	58.77
First Floor	58.77	58.77	58.77	58.77
Terrace Floor	0.00	0.00	0.00	0.00
Total :	118.41	117.54	118.41	117.54

Building USE/SUBUSE Details

Building Name	Building Use	Building SubUse	Building Structure
JYOTI (KUMARI)	Residential	Residential Bldg/Apartment	Non-Highrise

UnitBUA Table for Building :JYOTI (KUMARI)

FLOOR	Name	UnitBUA Type	UnitBUA Area	Carpet Area	No. of Rooms	No. of Tenement
GROUND FLOOR PLAN	SPLIT 1	FLAT	117.55	117.46	5	1
FIRST FLOOR PLAN	SPLIT 1	FLAT	0.00	0.00	6	0
Total:			117.55	117.46	11	1

FAR & Tenement Details (Table 4c-1)

Building	No. of Same Bldg	Total Built Up Area (Sq.mt.)	Deductions (Area in Sq.mt.) Stair/Case	Proposed FAR Area (Sq.mt.) Resi.	Total FAR Area (Sq.mt.)	Total Consumed Additional FAR Area (Sq.mt.)	Tnmt (No.)
JYOTI (KUMARI)	1	118.41	0.87	117.54	117.54	117.54	01
Grand Total :	1	118.41	0.87	117.54	117.54	117.54	01

SCHEDULE OF DOOR:

BUILDING NAME	NAME	LENGTH	HEIGHT	NOS
JYOTI (KUMARI)	D	0.76	2.10	03
JYOTI (KUMARI)	D	0.91	2.10	02
JYOTI (KUMARI)	D	1.07	2.10	04

SCHEDULE OF WINDOW/VENTILATION:

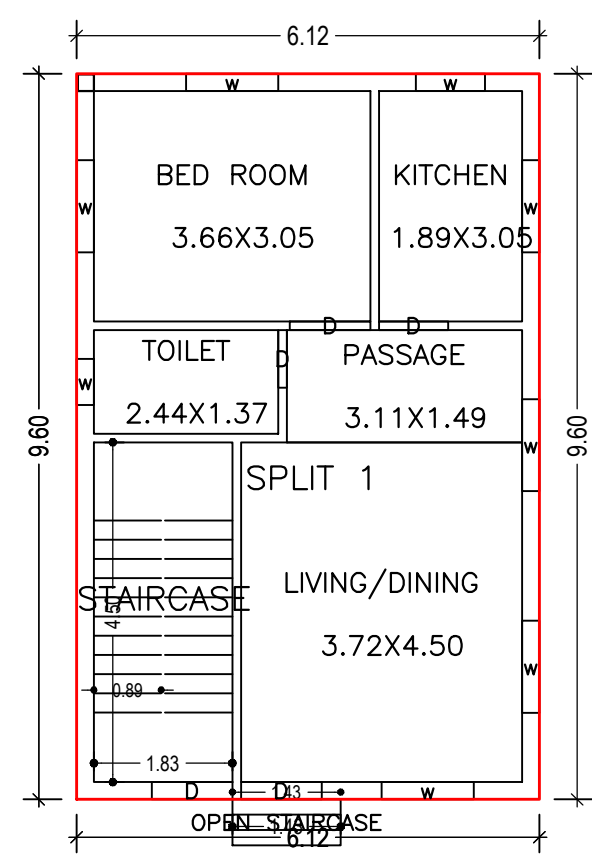
BUILDING NAME	NAME	LENGTH	HEIGHT	NOS
JYOTI (KUMARI)	w	0.61	1.20	03
JYOTI (KUMARI)	w	0.91	1.20	02
JYOTI (KUMARI)	w	1.22	1.20	12

Building :JYOTI (KUMARI)

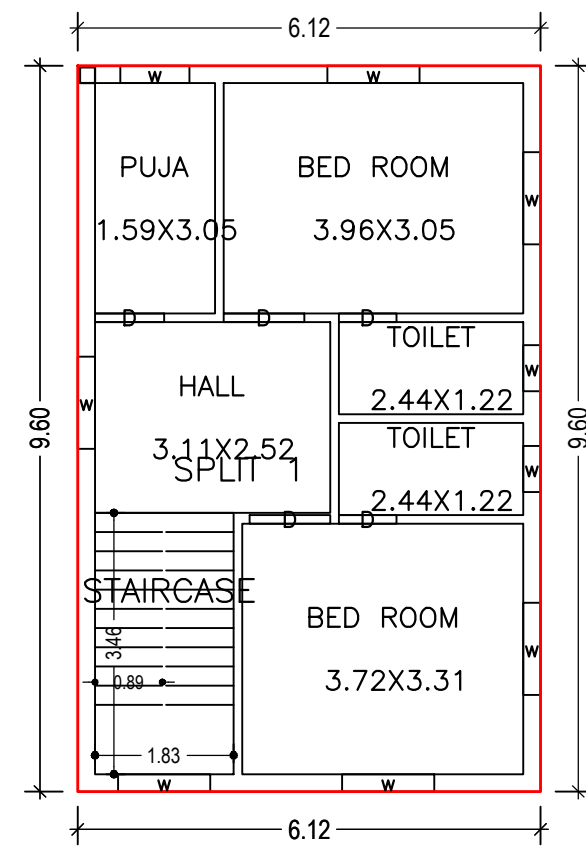
Floor Name	Total Built Up Area (Sq.mt.)	Deductions (Area in Sq.mt.) Stair/Case	Proposed FAR Area (Sq.mt.) Resi.	Total FAR Area (Sq.mt.)	Total Consumed Additional FAR Area (Sq.mt.)	Tnmt (No.)
Ground Floor	59.64	0.87	58.77	58.77	58.77	01
First Floor	58.77	0.00	58.77	58.77	58.77	00
Terrace Floor	0.00	0.00	0.00	0.00	0.00	00
Total :	118.41	0.87	117.54	117.54	117.54	01
Total Number of Same Buildings :	1					
Total :	118.41	0.87	117.54	117.54	117.54	01

LTP NAME AND SIGNATURE	STRUCTURAL ENG'S NAME AND SIGNATURE	BUILDER NAME AND SIGNATURE	DIGITAL SIGNATURE
RAM PRATAP SINGH MADA/ARC/0024/2019			

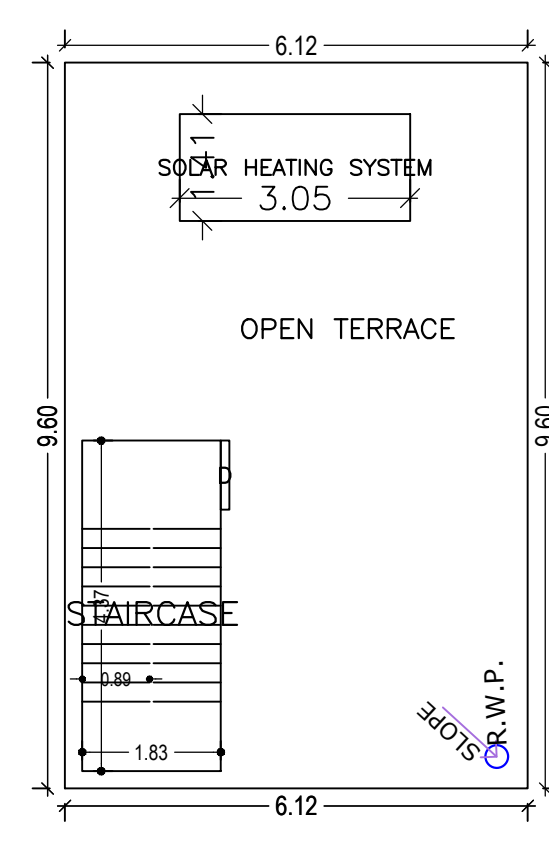
Proposal Basic Information	
Proposal File No.	MADA/BP/0349/2021
Owner Name	SMT. JYOTI KUMARI
Khata No	OLD KHATA NO-10, NEW KHATA NO-133
Plot No	OLD PLOT NO. 502, NEW PLOT NO. 1446
Village Name	Jialgora
Use	Residential
SubUse	Bungalow/ Dwelling / Non Apartment



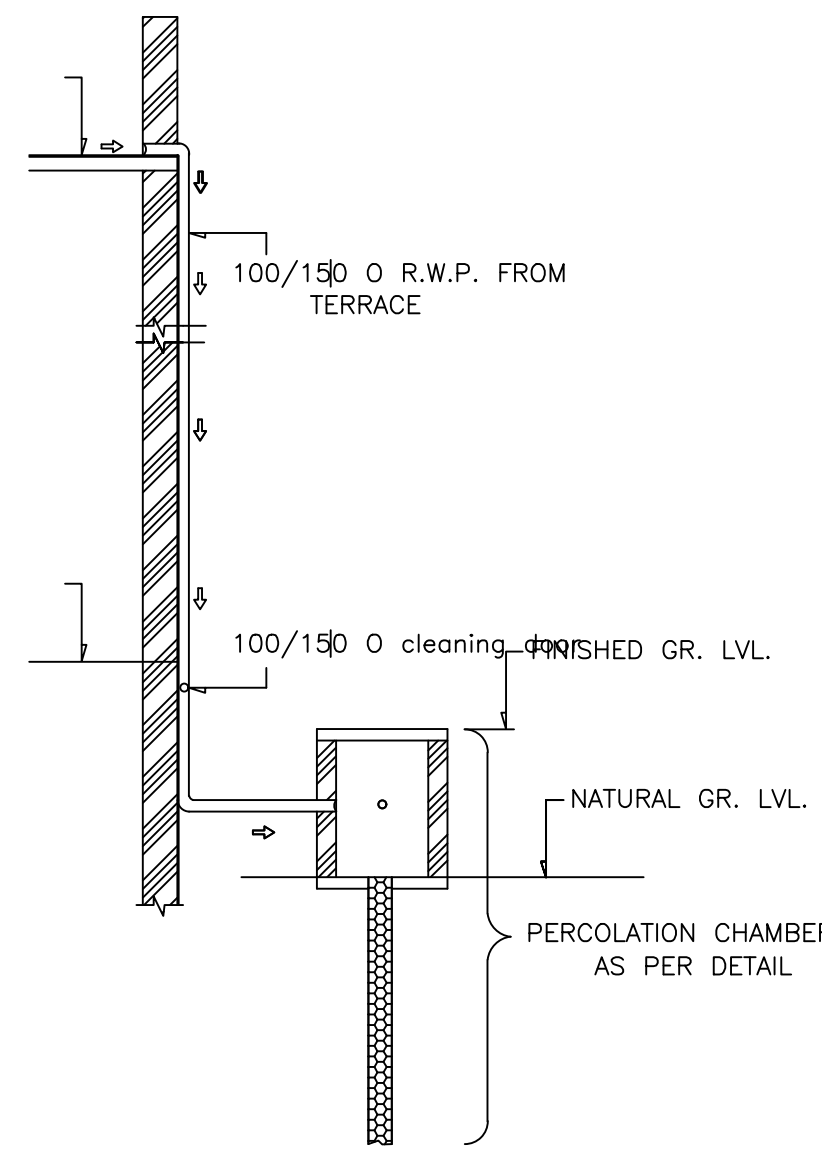
GROUND FLOOR PLAN (Proposed) (SCALE 1:100)



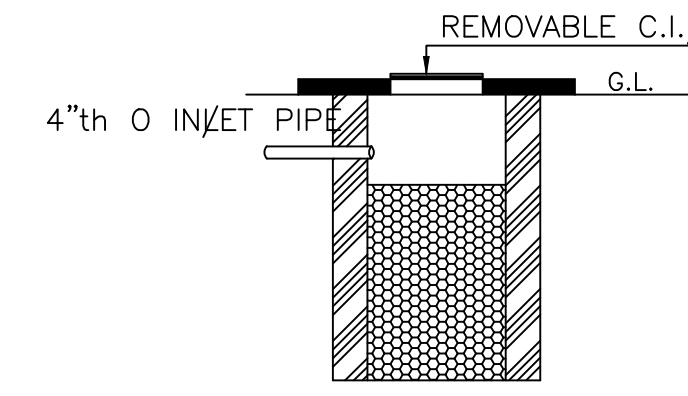
FIRST FLOOR PLAN (Proposed) (SCALE 1:100)



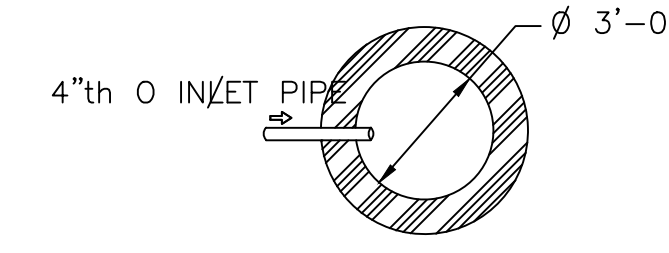
TERRACE FLOOR PLAN (SCALE 1:100)



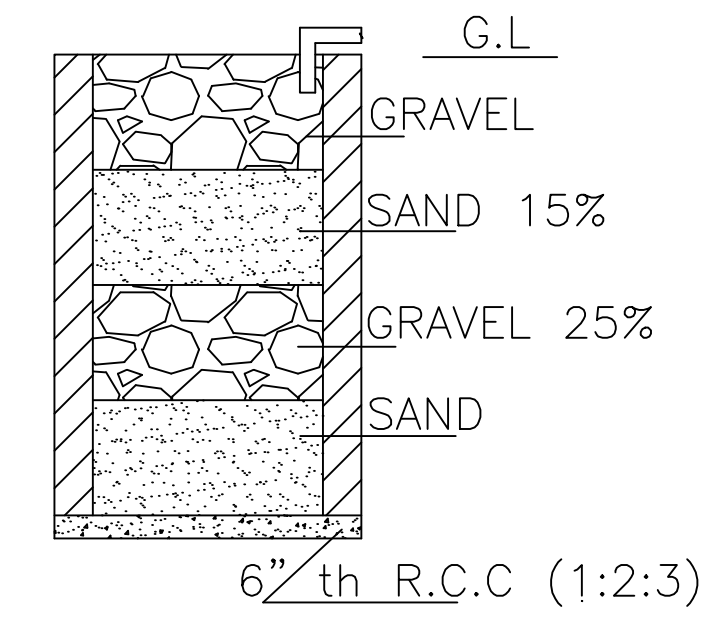
ROOF TOP RAIN WATER COLLECTION SYSTEM (SCALE = 1" = 4'-0")



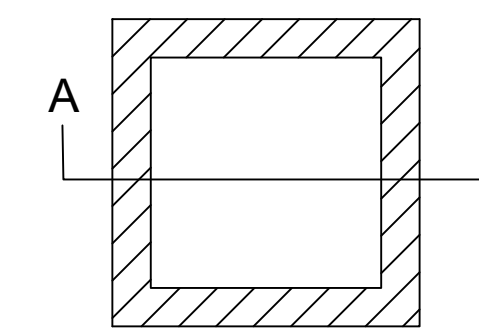
SECTION OF SOAK PIT



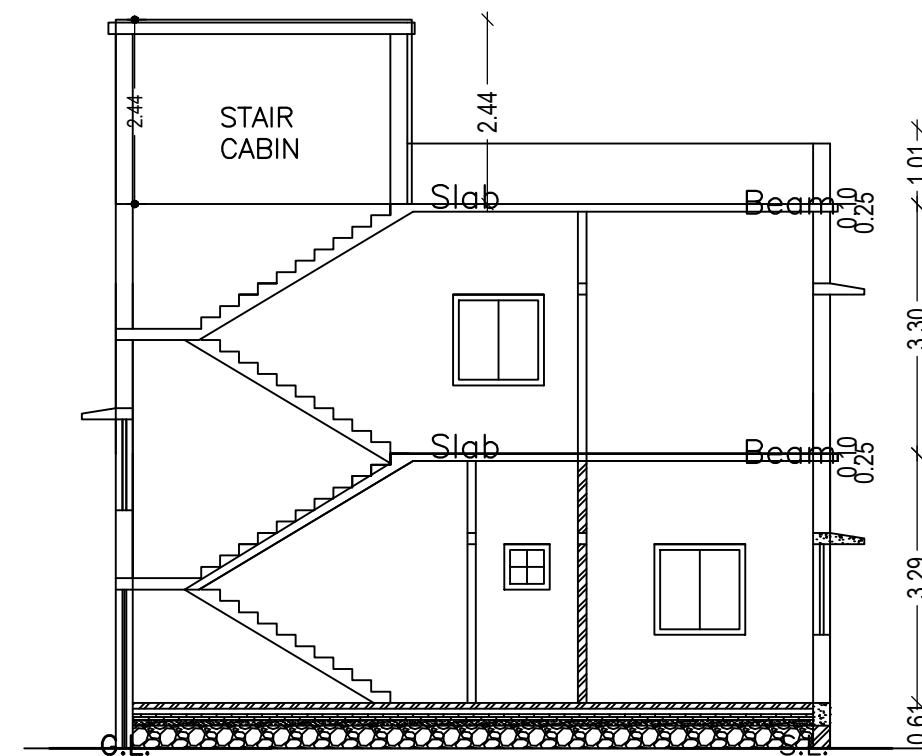
DETAILS OF SOAK PIT (SCALE = 1" = 2'-0")



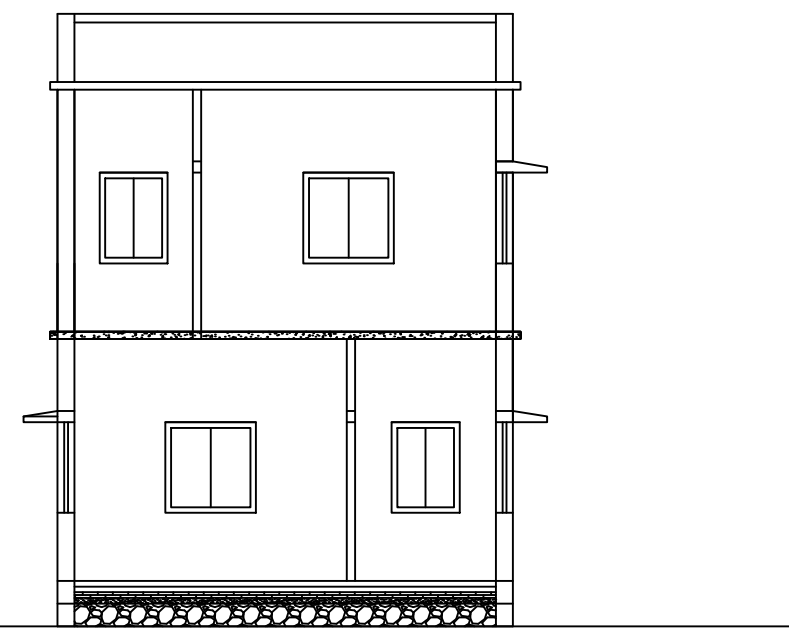
SECTION ON A - B



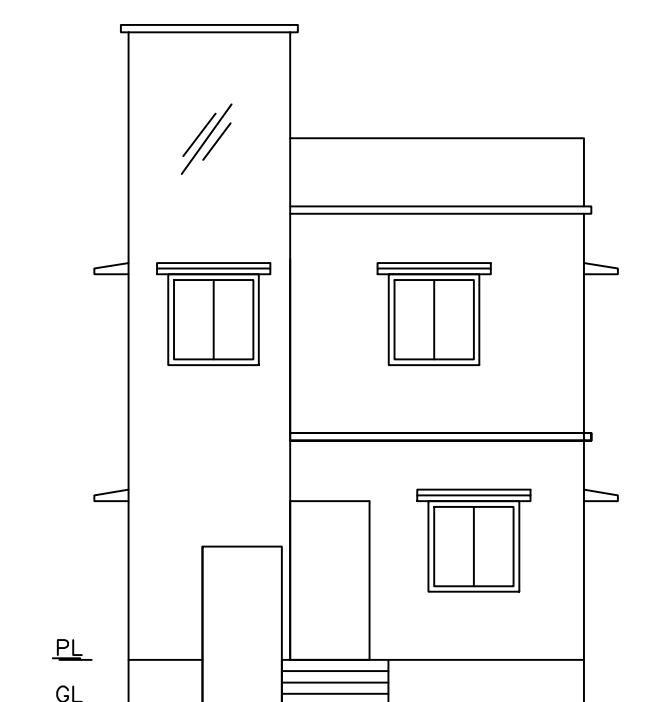
DETAILS DRAWING OF RAIN WATER HARVESTING (SCALE:- 1"=2'-0")



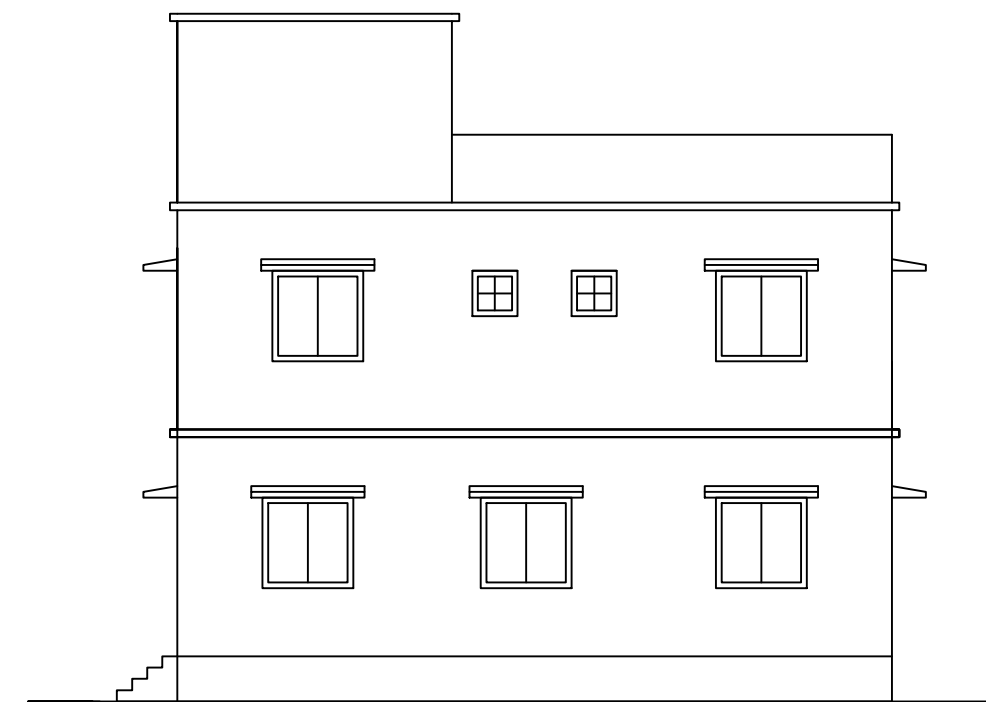
SECTION - XX' (SCALE - 1" = 8'-0")



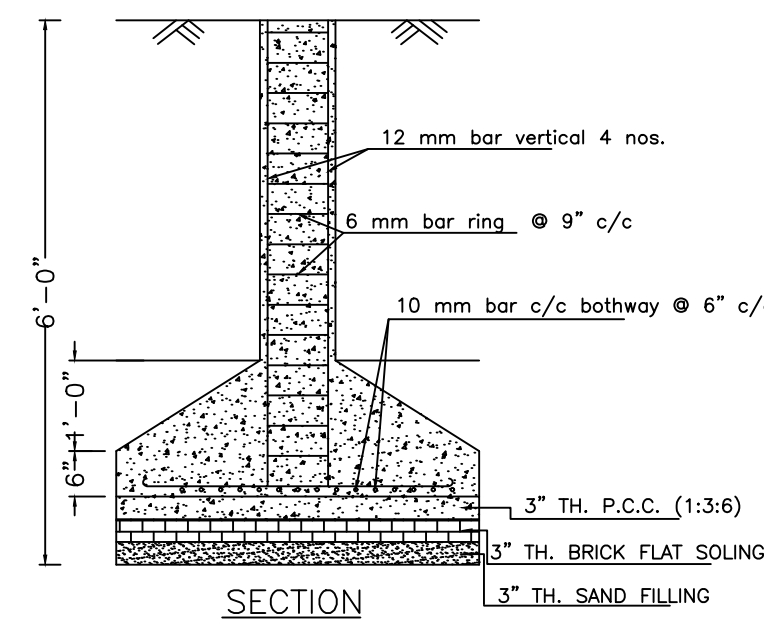
SECTION - YY' (SCALE - 1" = 8'-0")



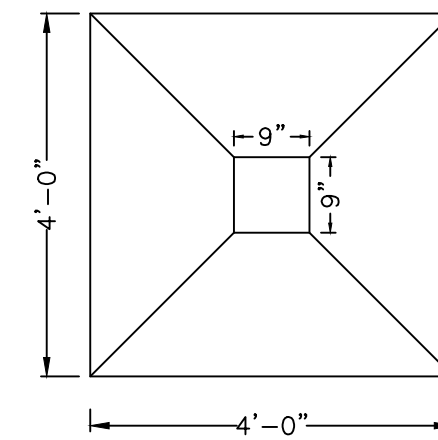
FRONT ELEVATION (SCALE - 1" = 8'-0")



RIGHT SIDE ELEVATION (SCALE - 1" = 8'-0")

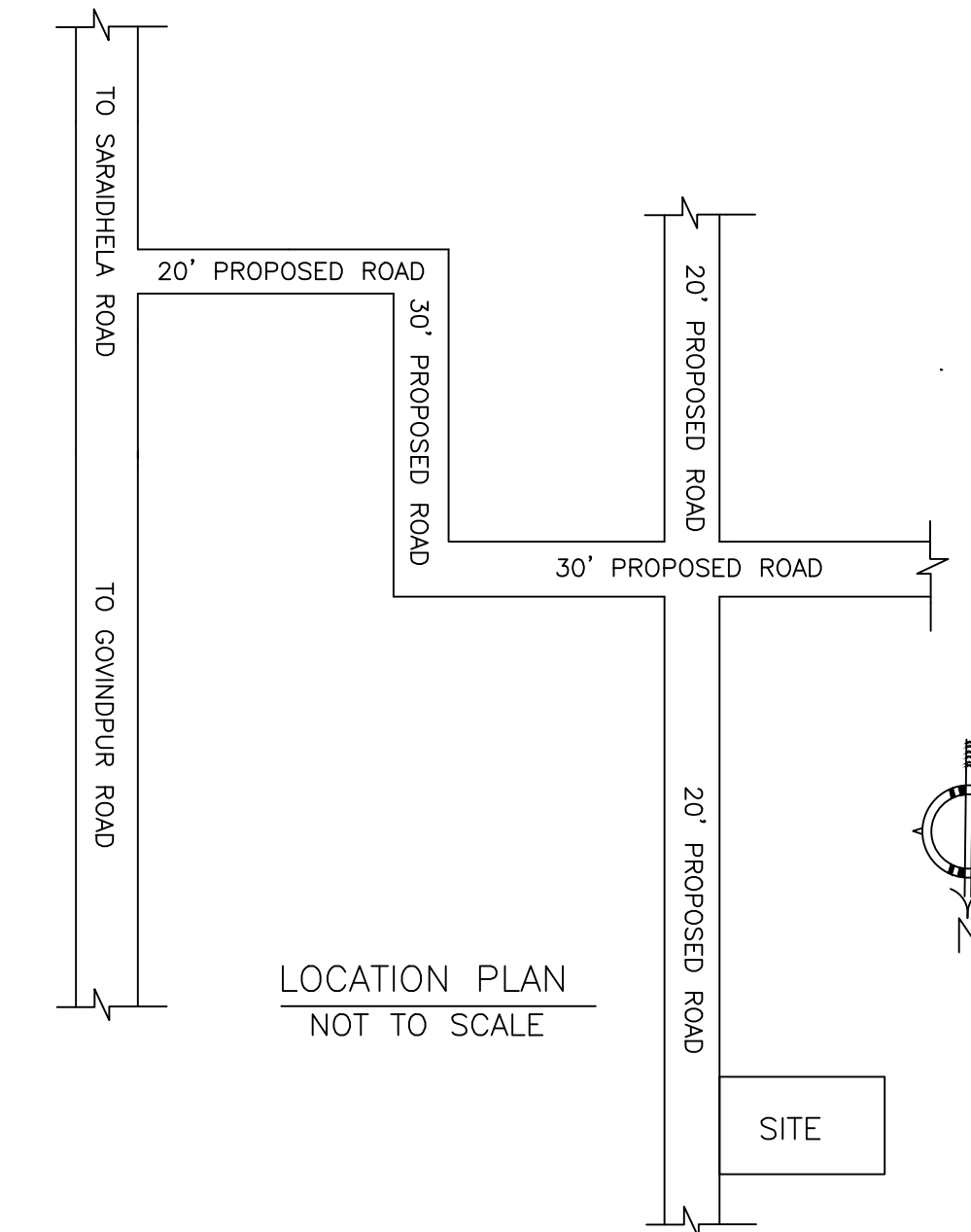


SECTION

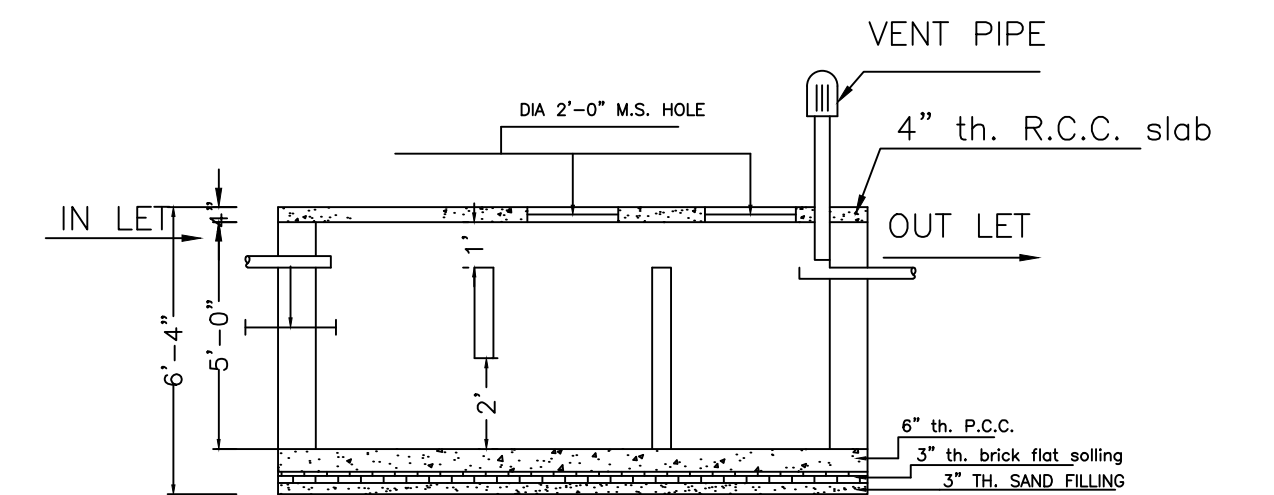


PLAN

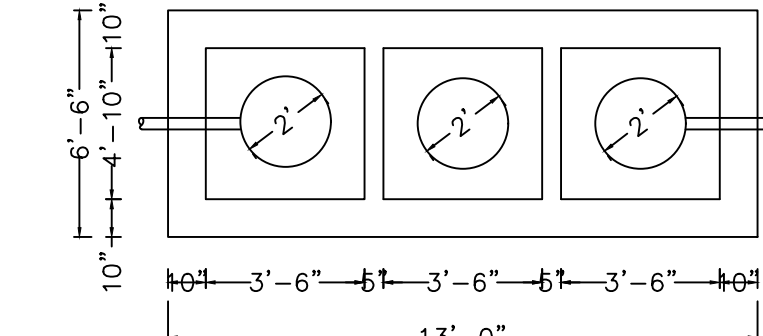
DETAILS OF COLUMN FOUNDATION (SCALE - 1" = 2'-0")



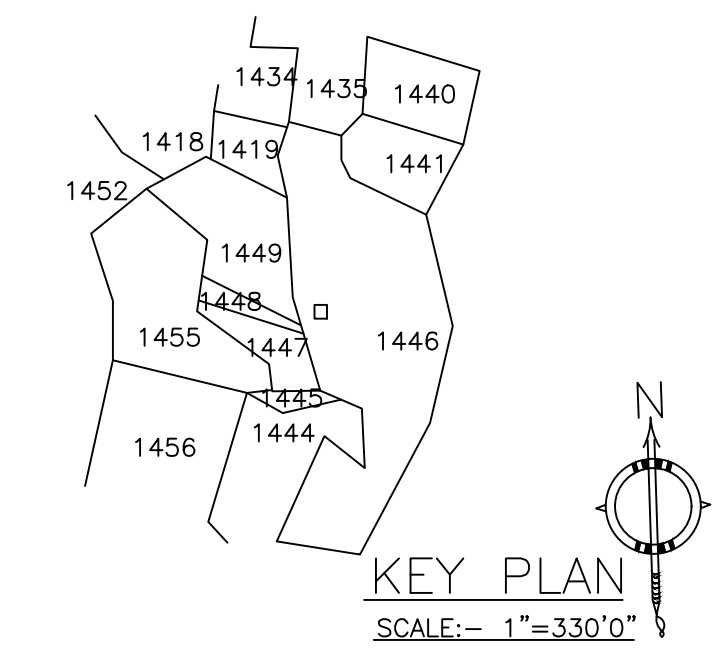
LOCATION PLAN (NOT TO SCALE)



SECTION



DETAILS OF SEPTIC TANK (SCALE - 1" = 4'-0")



KEY PLAN (SCALE:- 1"=330'0")

LTP NAME AND SIGNATURE	STRUCTURAL ENG'S NAME AND SIGNATURE	BUILDER NAME AND SIGNATURE	DIGITAL SIGNATURE
RAM PRATAP SINGH MADA/ARC/0024/2019			