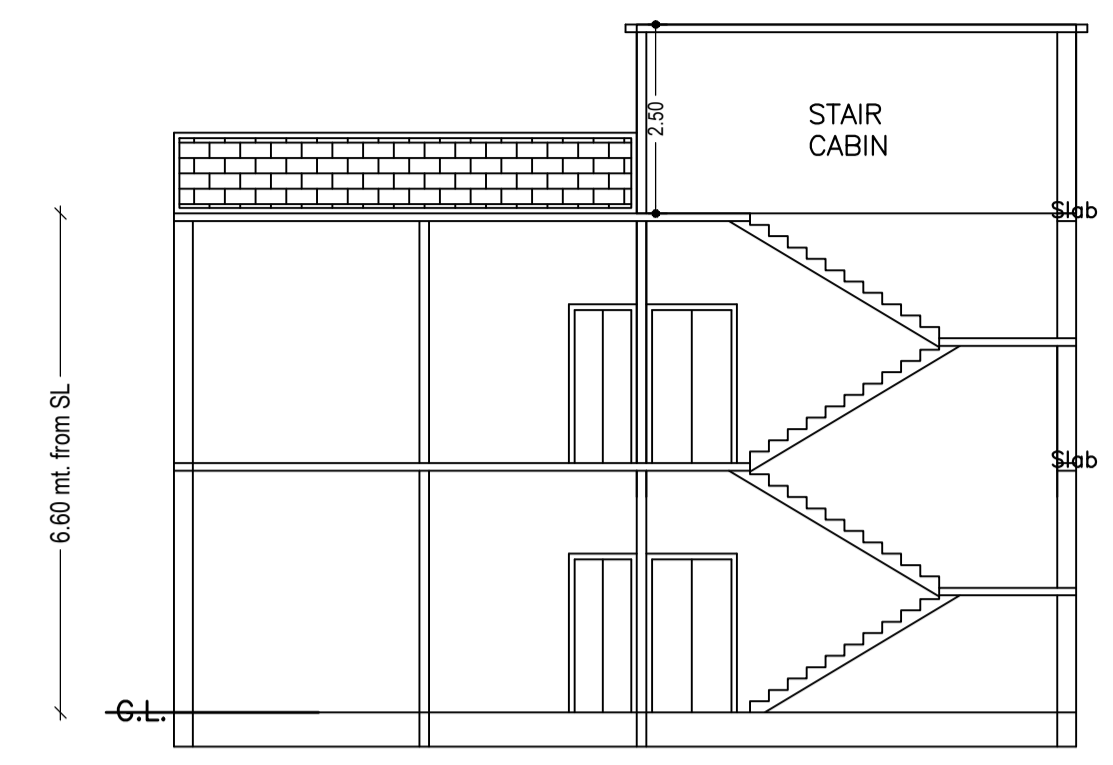
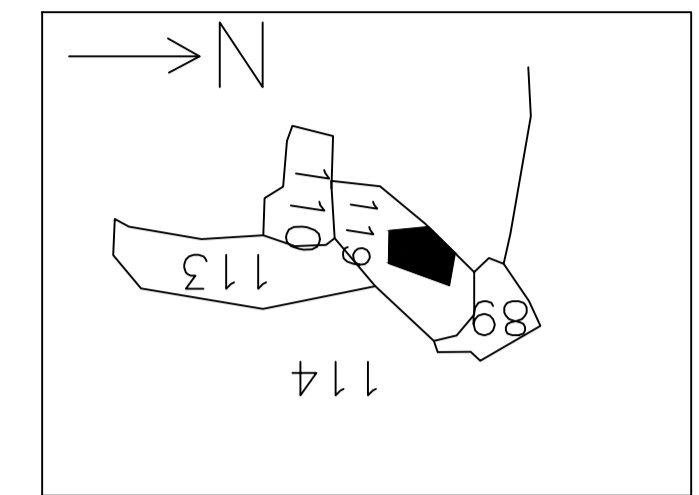
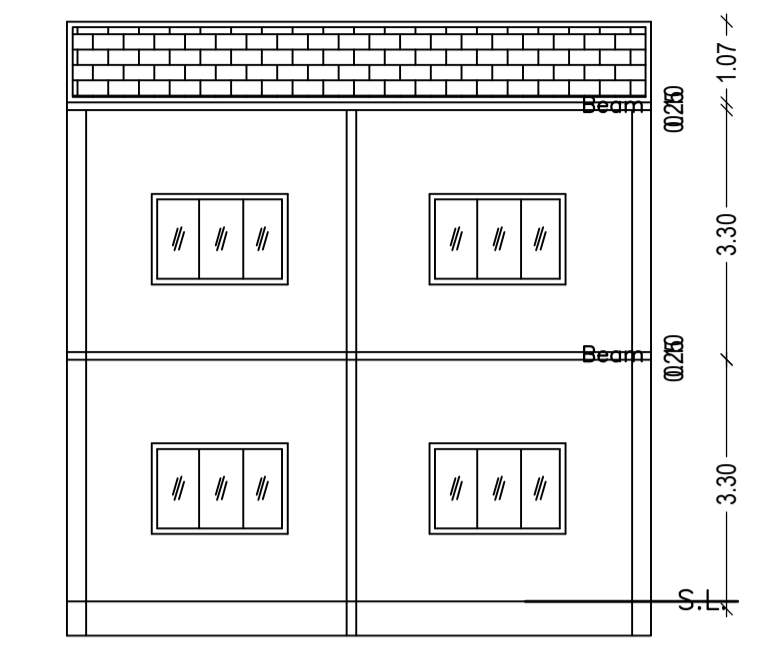


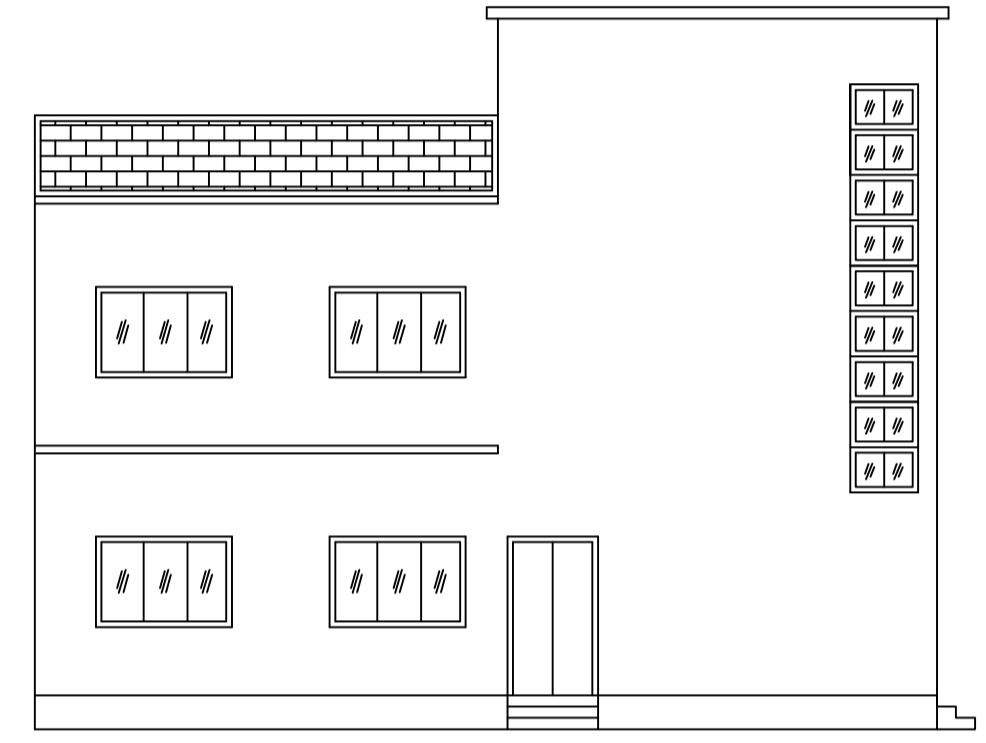
SITE PLAN



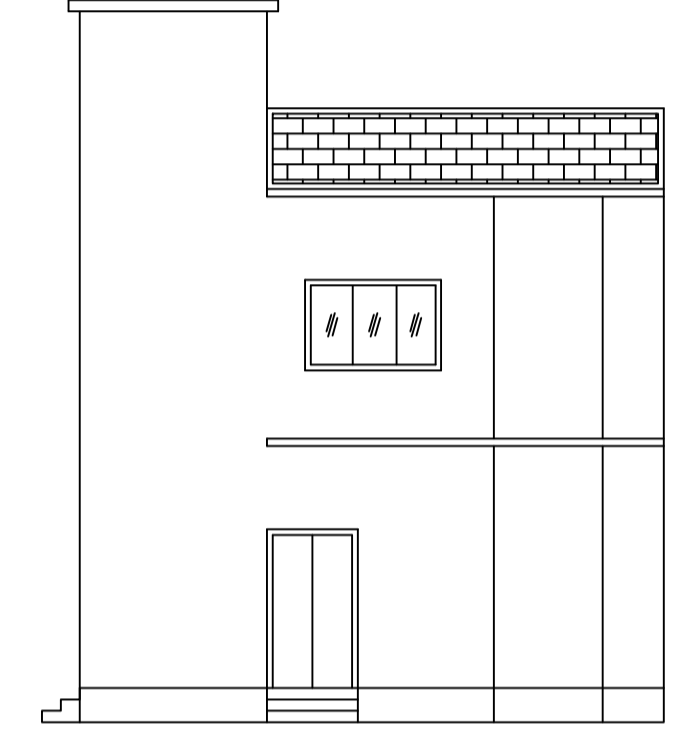
SECTION ON X-X



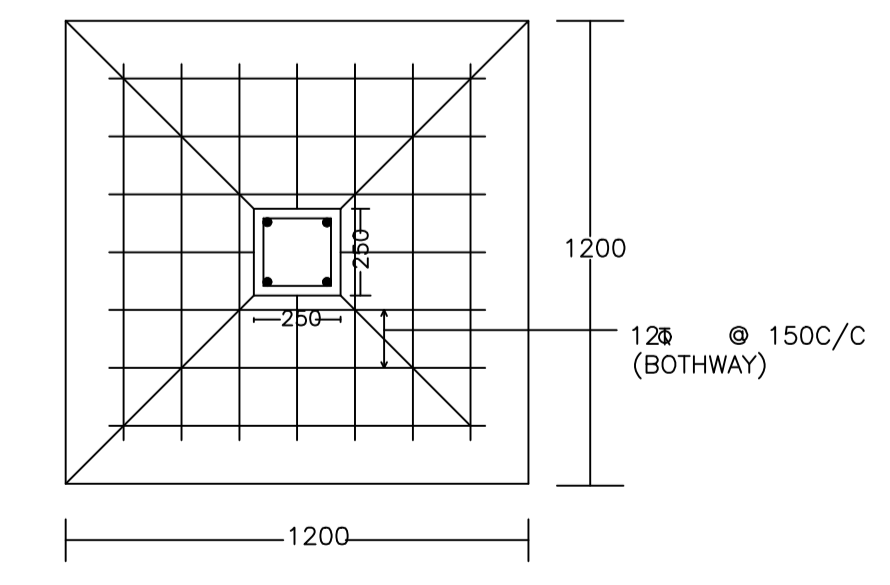
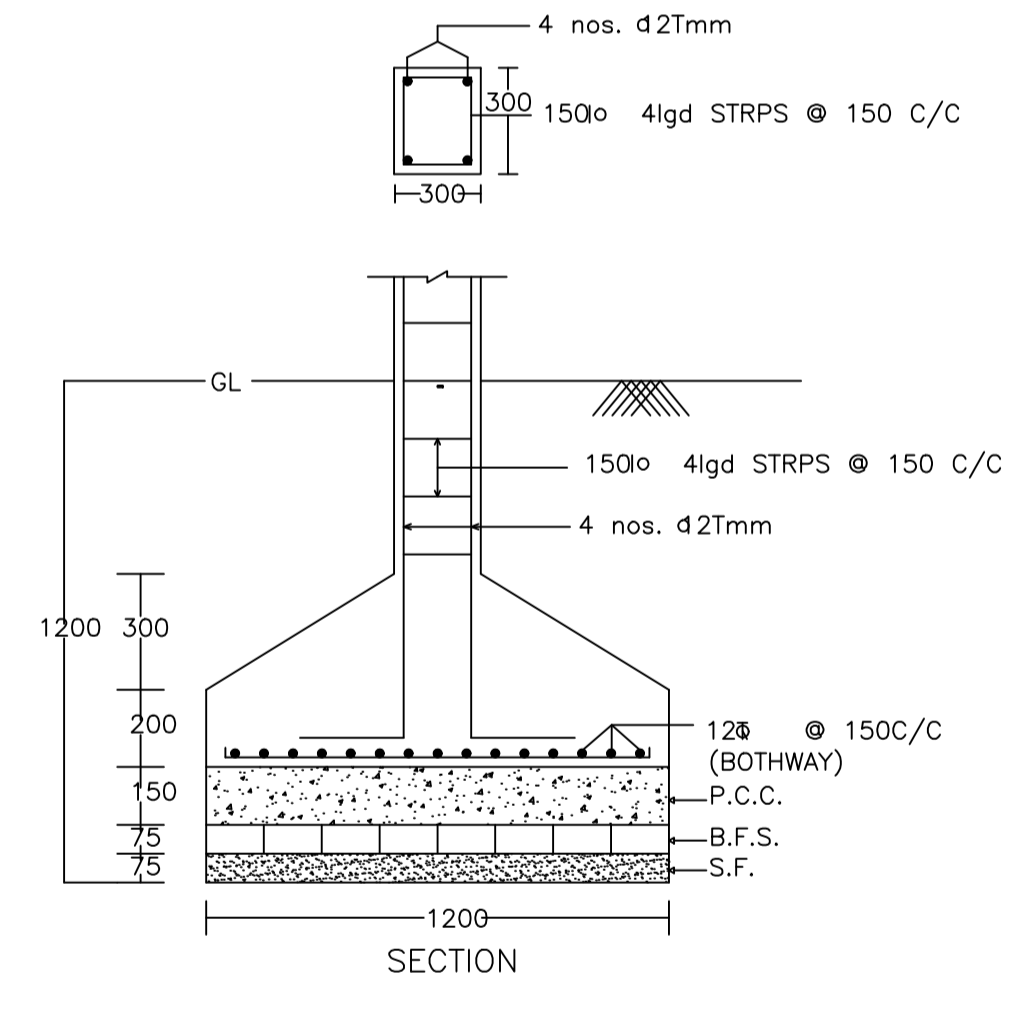
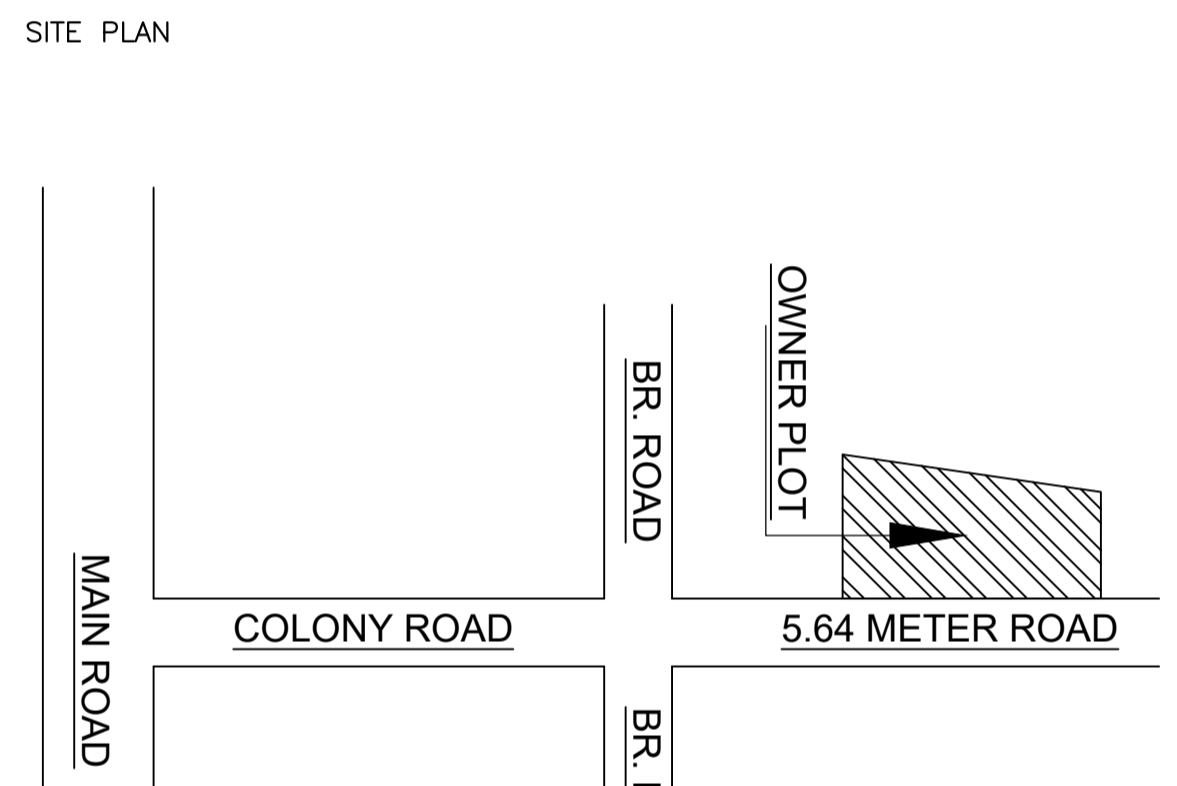
SECTION ON Y-Y



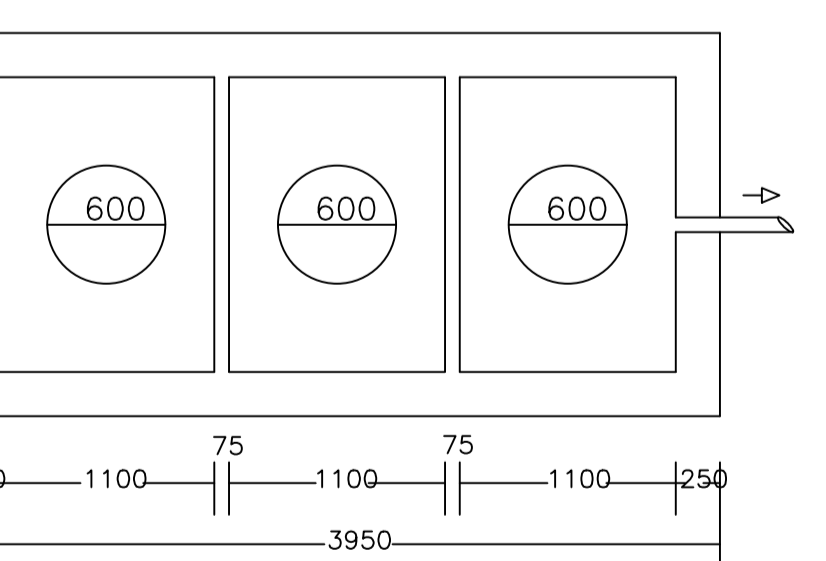
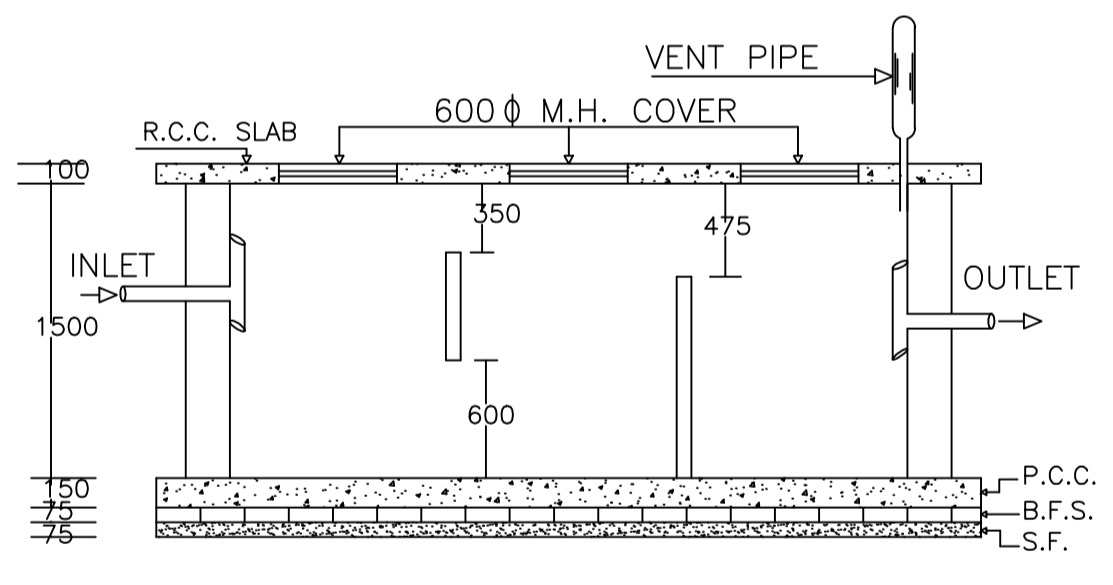
FRONT ELEVATION



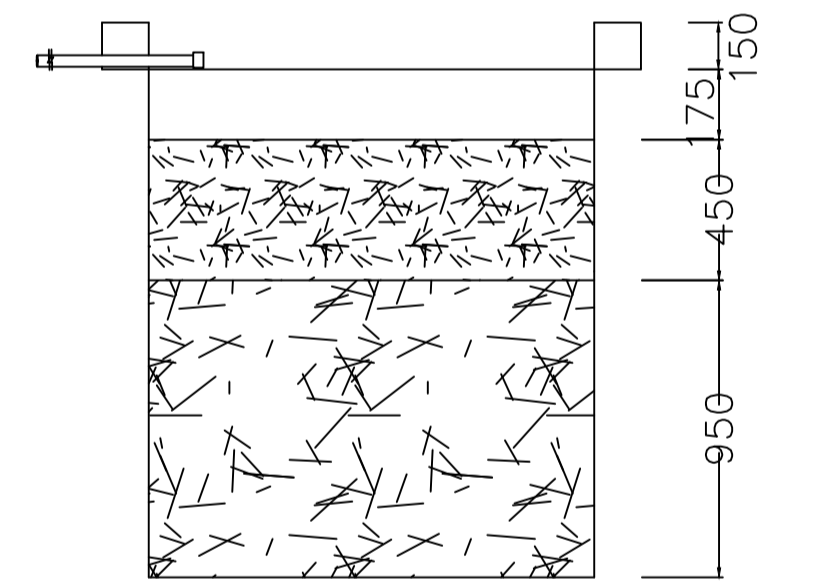
RIGHT SIDE ELEVATION



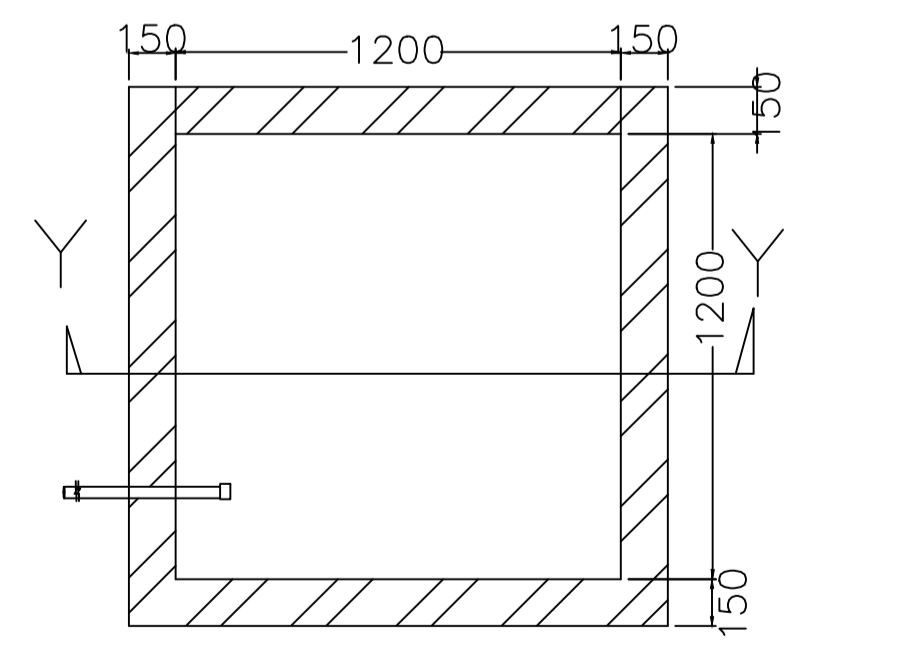
DETAIL OF COLUMNS



PLAN OF SEPTIC TANK



SECTION AT Y-Y



PLAN OF RECHARGE WELL

WATER HARVESTING

Proposal Basic Information	
Proposal File No.	MADA/BP/0354/2021
Owner Name	SRI. AMIT KUMAR MISHRA.
Khata No	01 (Old), 06 (New)
Plot No	115 (Old), 109 (New)
Village Name	Kangalo
Use	Residential
SubUse	Bungalow/ Dwelling / Non Apartment

AREA STATEMENT MINERAL AREA DEVELOPMENT AUTHORITY		VERSION NO. : 1.0.61
PROJECT DETAIL:		VERSION DATE: 16/10/2020
Region: JHARKHAND URBAN LOCAL BODIES	Plot Use: Residential	
District: DHANBAD	Plot SubUse: Bungalow/ Dwelling / Non Apartment	
Authority: MINERAL AREA DEVELOPMENT AUTHORITY	PlotNearbyReligiousStructure: NA	
Inward No: MADA/BP/0354/2021	Plot/SubPlot No: 115 (Old), 109 (New)	
Application Type: General Proposal	North: Plot No. - PART OF THIS PLOT	
Project Type: Building Permission	South: Plot No. - SRI. OBESH KUMAR PANDEY	
Nature of Development: New	East: Road Width - 5.64	
Location of Development Area: Old Area	West: Plot No. - PART OF THIS PLOT NO. - 109 & MOUZA - GOSAINDIH.	
AREA OF PLOT (Minimum)	(A)	SQ.MT. 127.35
NET AREA OF PLOT(Gross Plot Area - Deduction from Gross Plot area)	(A-Deductions)	127.35
Deduction for Balance Plot Area(from Gross Plot Area)		
Common Plot		18.13
Total		18.13
BALANCE AREA OF PLOT(Net Plot Area - Recreational/Amenity space)	(A-Deductions)	109.21
PLOT AREA FOR COVERAGE(Net Plot Area)	(A-Deductions)	127.35
Plot Area for FAR (Net Plot Area + RoadWidening Area)	(A-Deductions)	127.35
COVERAGE CHECK		
Permissible Coverage area (70.00 %)		89.14
Proposed Coverage Area (67.31 %)		85.72
Total Prop. Coverage Area (67.31 %)		85.72
Balance coverage area (2.69 %)		3.42
FAR CHECK		
Perm. FAR Area (1.80)		229.23
Total Perm. FAR area		229.23
Residential FAR		171.45
Proposed FAR Area		171.45
Total Proposed FAR Area		171.45
Consumed FAR (Factor)		1.35
Balance FAR Area		57.78
BUILT UP AREA CHECK		
Total Proposed BuiltUp Area		171.44
ARCHITECT (Regd)	Partha Pal	
ENGINEER (Regd)		
SUPERVISOR (Regd)		
OWNER (Regd)	SRI. AMIT KUMAR MISHRA.	
DEVELOPMENT AUTHORITY		LOCAL BODY

COLOR INDEX	
PLOT BOUNDARY	Black
ABUTTING ROAD	Green
PROPOSED CONSTRUCTION	Red
COMMON PLOT	Yellow
ROAD WIDENING AREA	Orange
EXISTING (To be retained)	Blue
EXISTING (To be demolished)	Light Blue

Buildingwise Floor FAR Details

Floor Name	Building Name AA (AA)		Total	
	Proposed Built Up Area (Sq.mt.)	Proposed FAR Area (Sq.mt.)	Total Proposed Built Up Area (Sq.mt.)	Total FAR Area (Sq.mt.)
Ground Floor	85.72	85.72	85.72	85.72
First Floor	85.72	85.72	85.72	85.72
Terrace Floor	0.00	0.00	0.00	0.00
Total :	171.44	171.44	171.44	171.44

Building USE/SUBUSE Details

Building Name	Building Use	Building SubUse	Building Structure
AA (AA)	Residential	Bungalow/ Dwelling / Non Apartment	Non-Highrise

UnitBUA Table for Building :AA (AA)

FLOOR	Name	UnitBUA Type	UnitBUA Area	Carpet Area	No. of Rooms	No. of Tenement
GROUND FLOOR PLAN	SPLIT AA	FLAT	171.45	171.28	7	1
FIRST FLOOR PLAN	SPLIT AA	FLAT	0.00	0.00	7	0
Total:	-	-	171.45	171.28	14	1

FAR & Tenement Details (Table 4c-1)

Building	No. of Same Bldg	Total Built Up Area (Sq.mt.)	Proposed FAR Area (Sq.mt.) Res.	Total FAR Area (Sq.mt.)	Total Consumed Additional FAR Area (Sq.mt.)	Trmt (No.)
AA (AA)	1	171.44	171.44	171.44	171.44	01
Grand Total :	1	171.44	171.44	171.44	171.44	01

SCHEDULE OF DOOR:

BUILDING NAME	NAME	LENGTH	HEIGHT	NOS
AA (AA)	D	0.90	2.10	06
AA (AA)	D	1.03	2.10	02
AA (AA)	D	1.05	2.10	02
AA (AA)	D	1.20	2.10	05

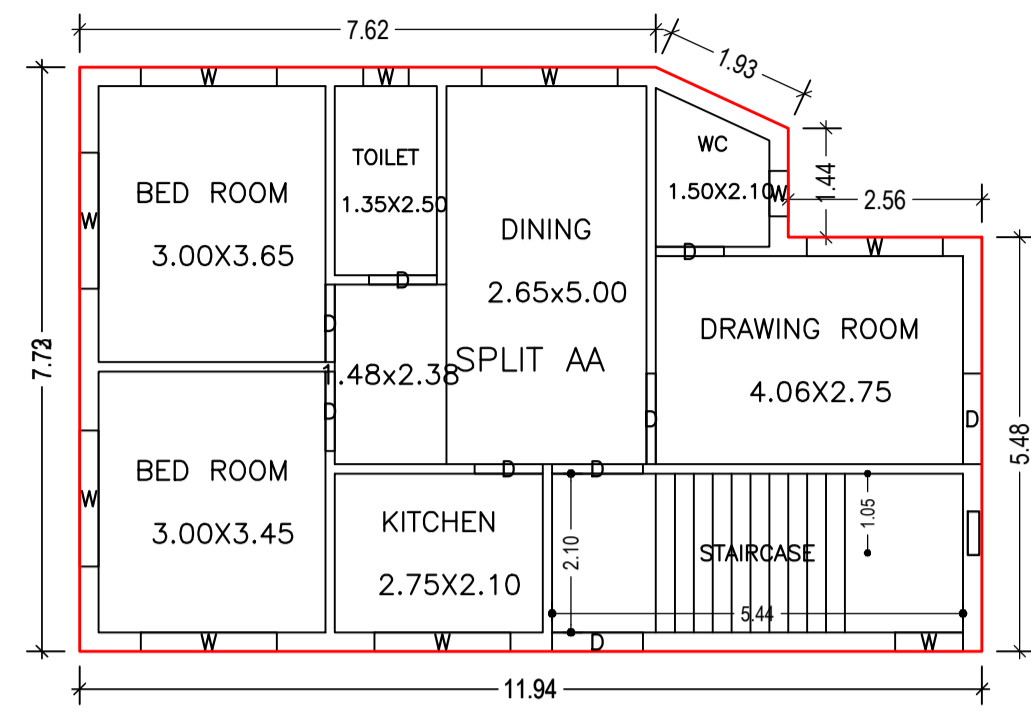
SCHEDULE OF WINDOW/VENTILATION:

BUILDING NAME	NAME	LENGTH	HEIGHT	NOS
AA (AA)	W	0.60	1.20	04
AA (AA)	W	0.90	1.20	02
AA (AA)	W	1.80	1.20	14

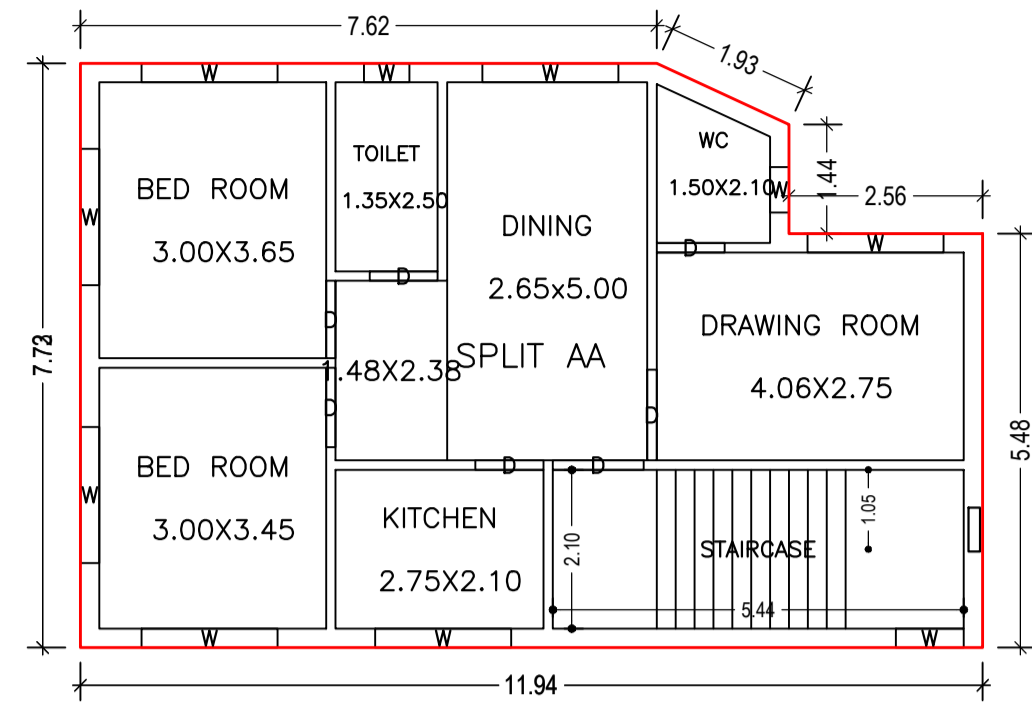
Building :AA (AA)

Floor Name	Total Built Up Area (Sq.mt.)	Proposed FAR Area (Sq.mt.) Res.	Total FAR Area (Sq.mt.)	Total Consumed Additional FAR Area (Sq.mt.)	Trmt (No.)
Ground Floor	85.72	85.72	85.72	85.72	01
First Floor	85.72	85.72	85.72	85.72	00
Terrace Floor	0.00	0.00	0.00	0.00	00
Total :	171.44	171.44	171.44	171.44	01
Total Number of Same Buildings	1				
Total :	171.44	171.44	171.44	171.44	01

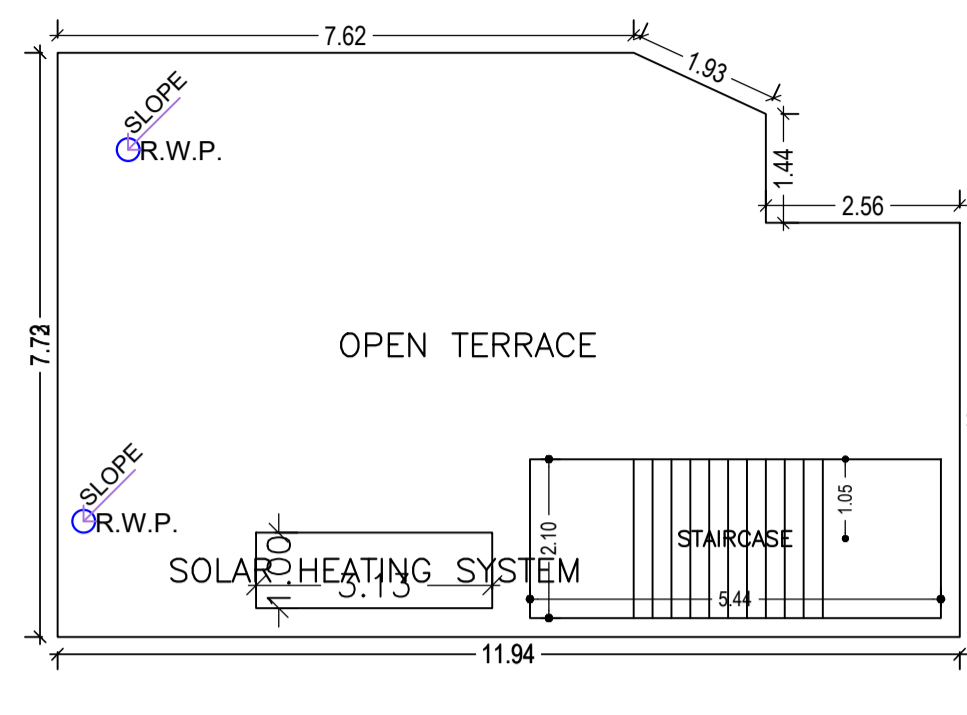
LTP NAME AND SIGNATURE	STRUCTURAL ENG'S NAME AND SIGNATURE	BUILDER NAME AND SIGNATURE	DIGITAL SIGNATURE
Partha Pal MADA/ENG/0002/2019			



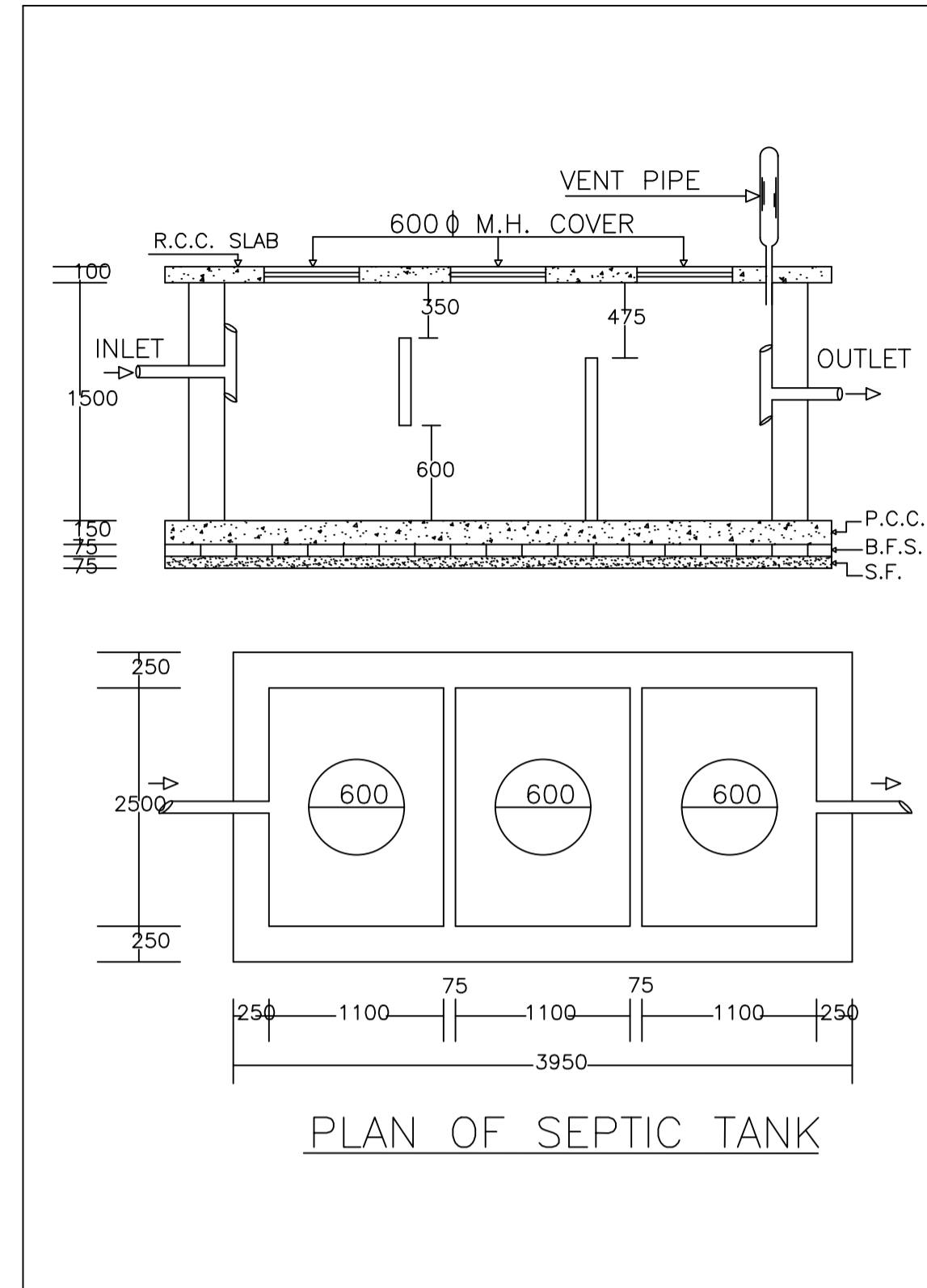
GROUND FLOOR PLAN
(Proposed)
(SCALE 1:100)



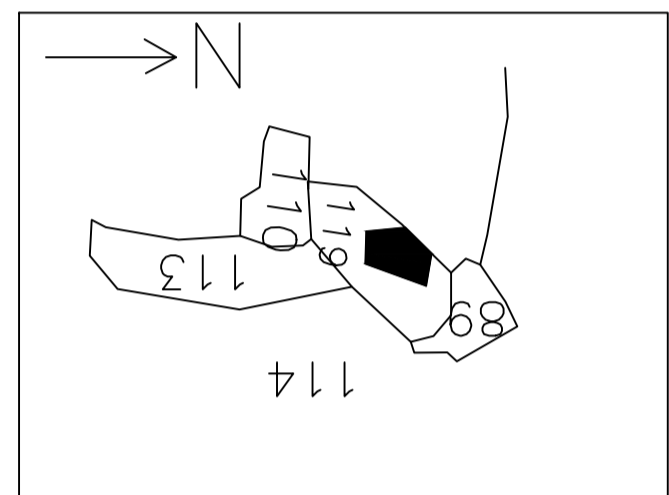
FIRST FLOOR PLAN
(Proposed)
(SCALE 1:100)



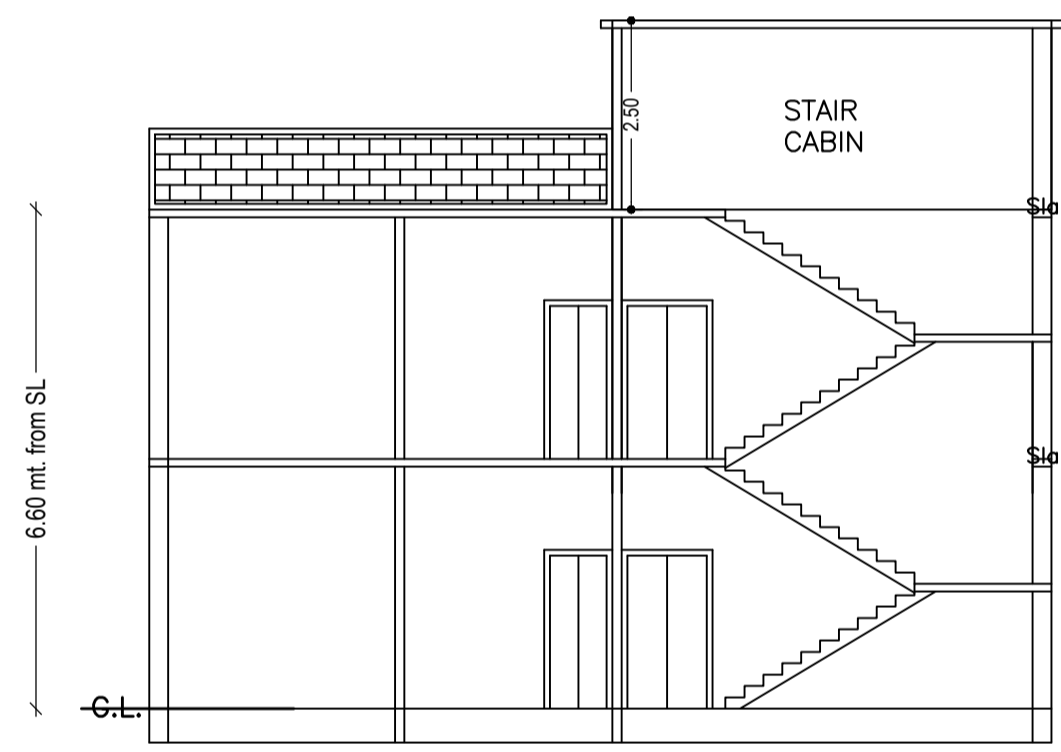
TERRACE FLOOR PLAN
(SCALE 1:100)



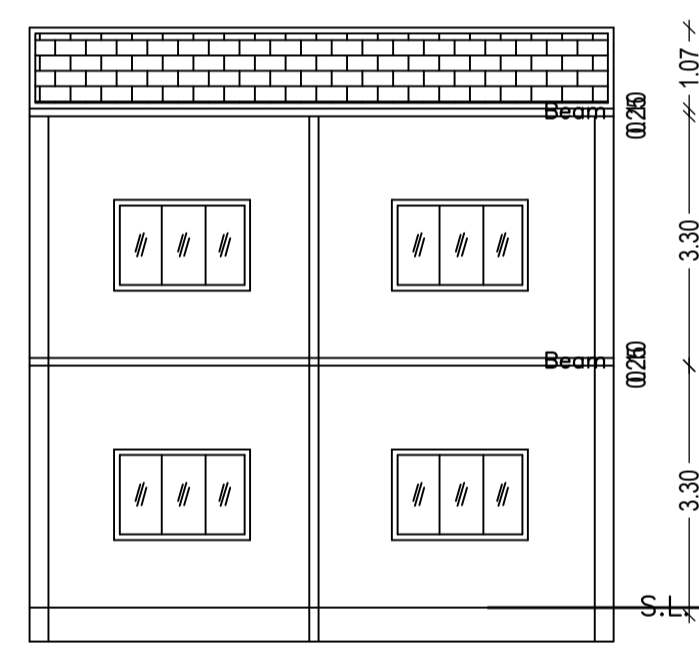
PLAN OF SEPTIC TANK



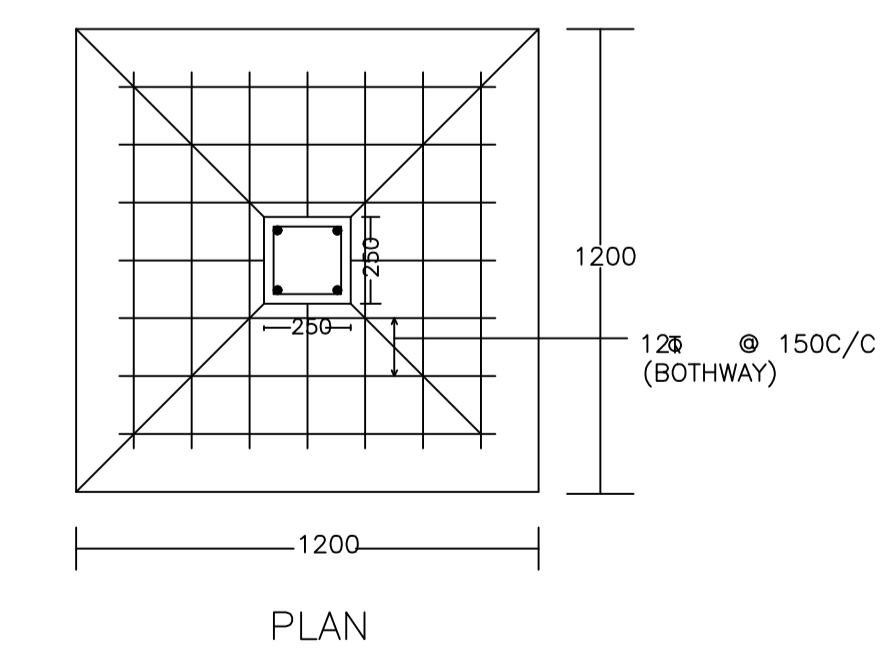
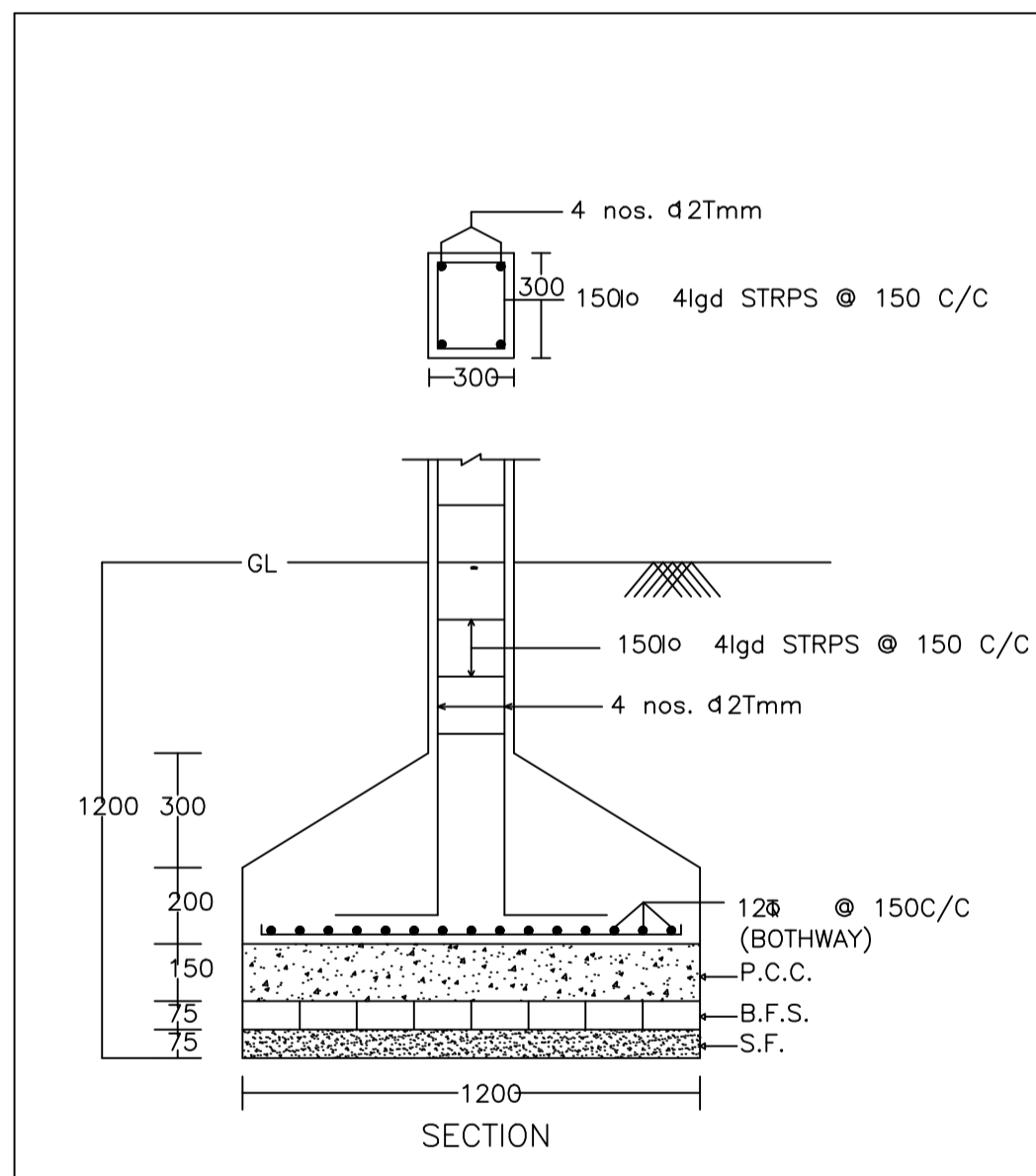
Proposal Basic Information	
Proposal File No.	MADA/BP/0354/2021
Owner Name	SRI. AMIT KUMAR MISHRA.
Khata No	01 (Old), 06 (New)
Plot No	115 (Old), 109 (New)
Village Name	Kangalo
Use	Residential
SubUse	Bungalow/ Dwelling / Non Apartment



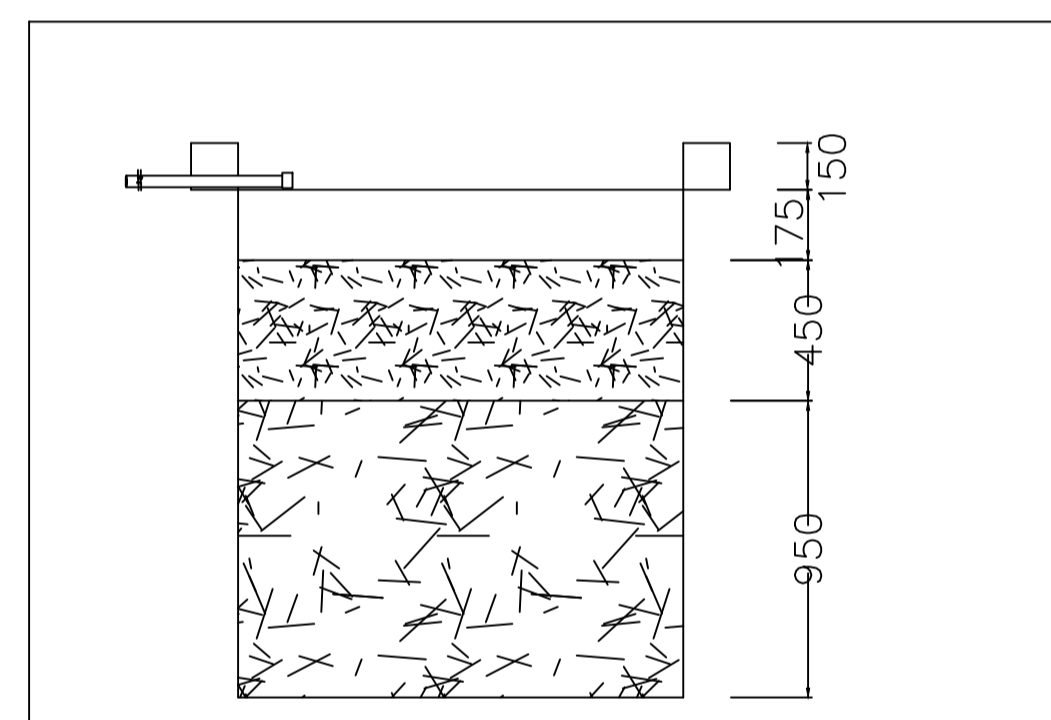
SECTION ON X-X



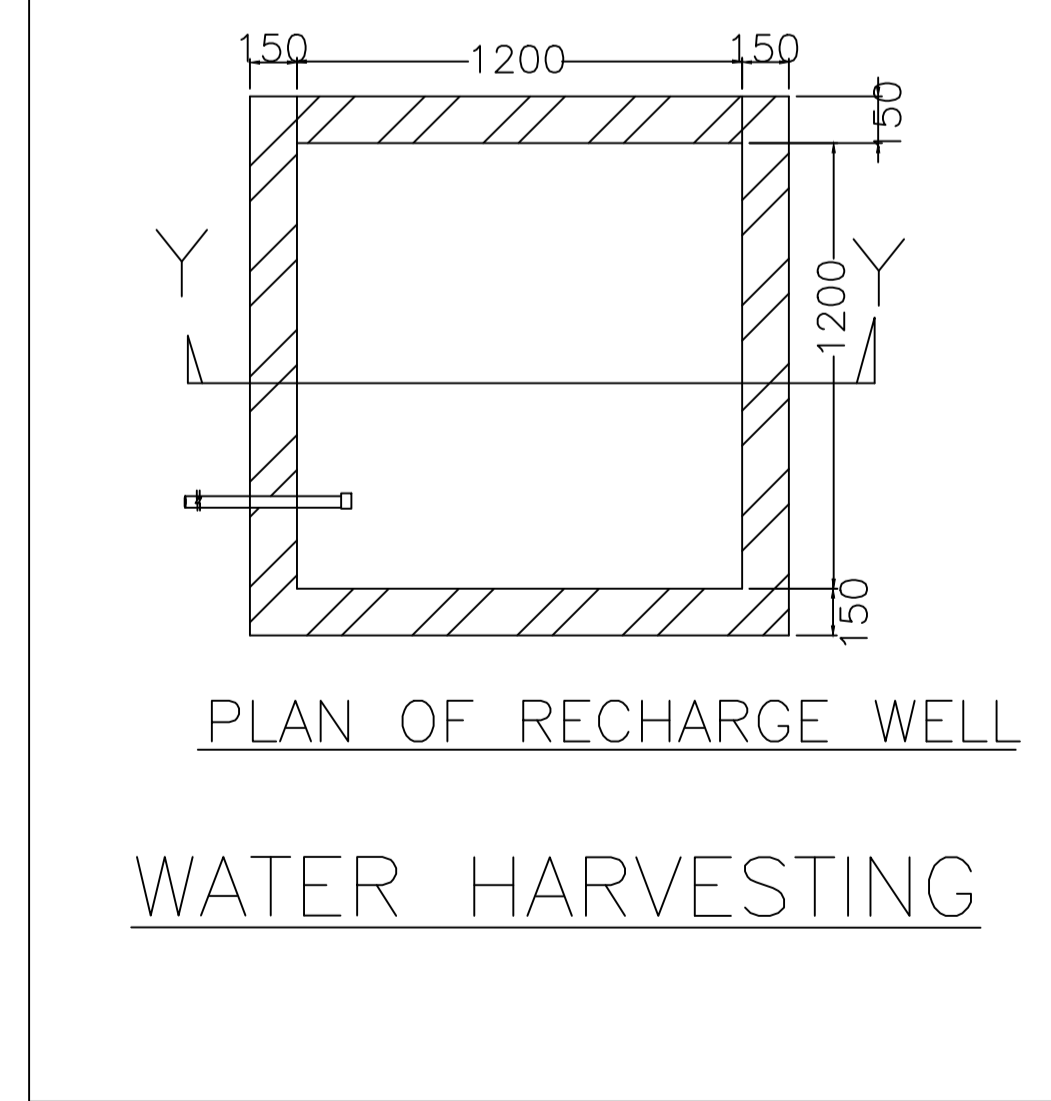
SECTION ON Y-Y



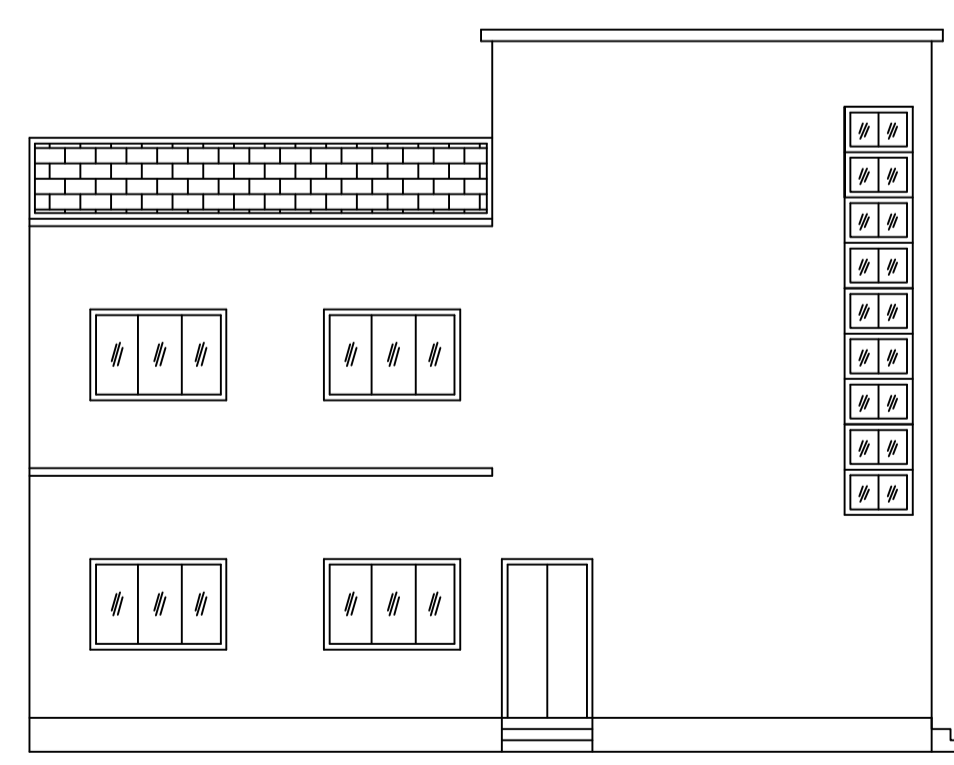
DETAIL OF COLUMNS



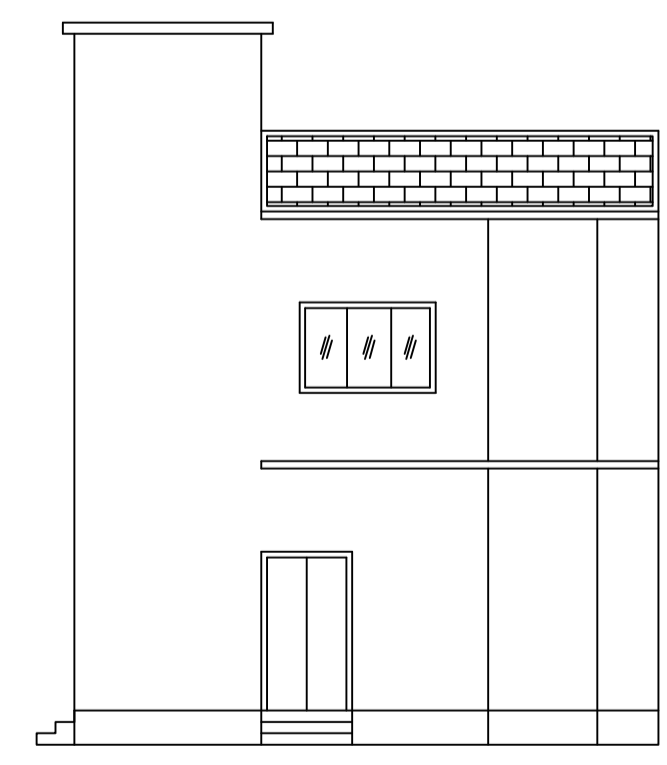
SECTION AT Y-Y



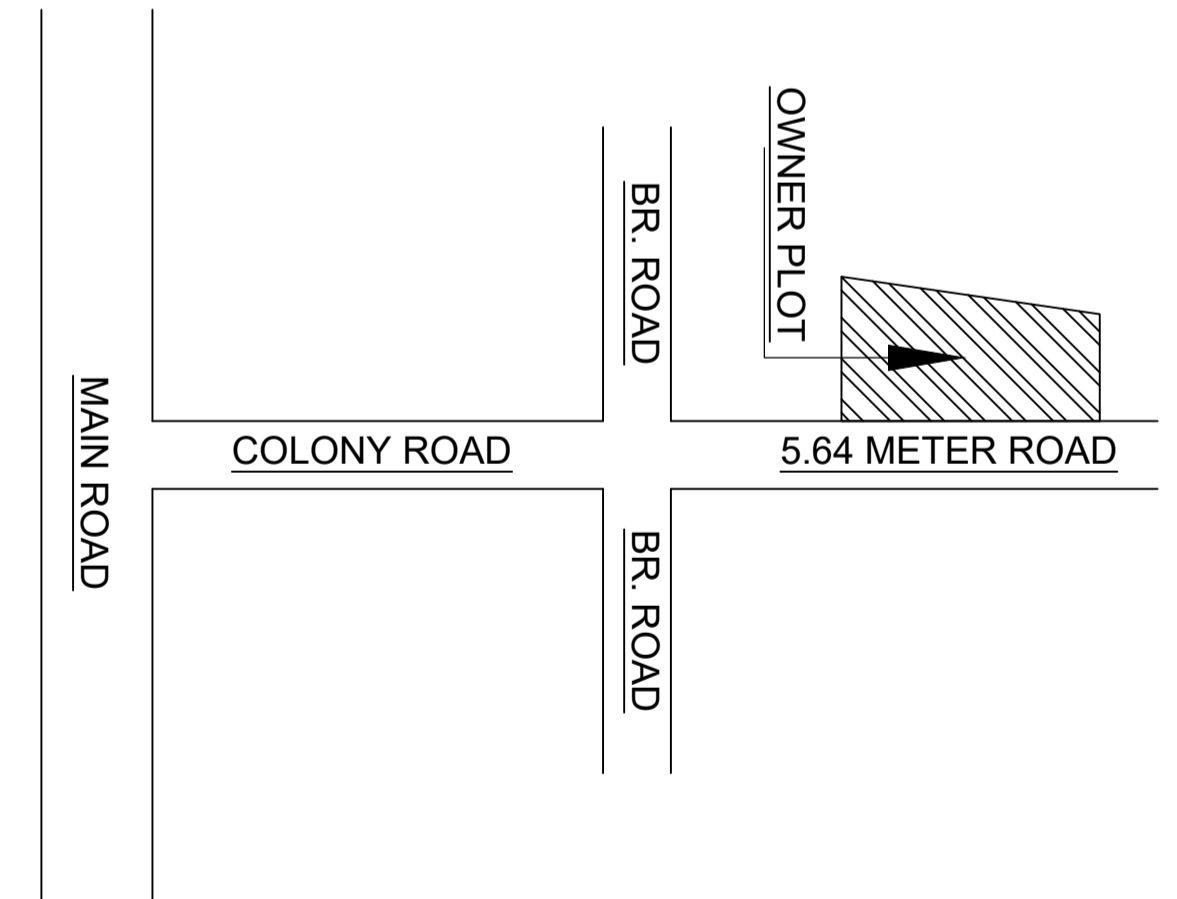
PLAN OF RECHARGE WELL
WATER HARVESTING



FRONT ELEVATION



RIGHT SIDE ELEVATION



LTP NAME AND SIGNATURE	STRUCTURAL ENG'S NAME AND SIGNATURE	BUILDER NAME AND SIGNATURE	DIGITAL SIGNATURE
Partha Pal MADA/ENG/0002/2019			