

SCHEDULE OF DOOR:

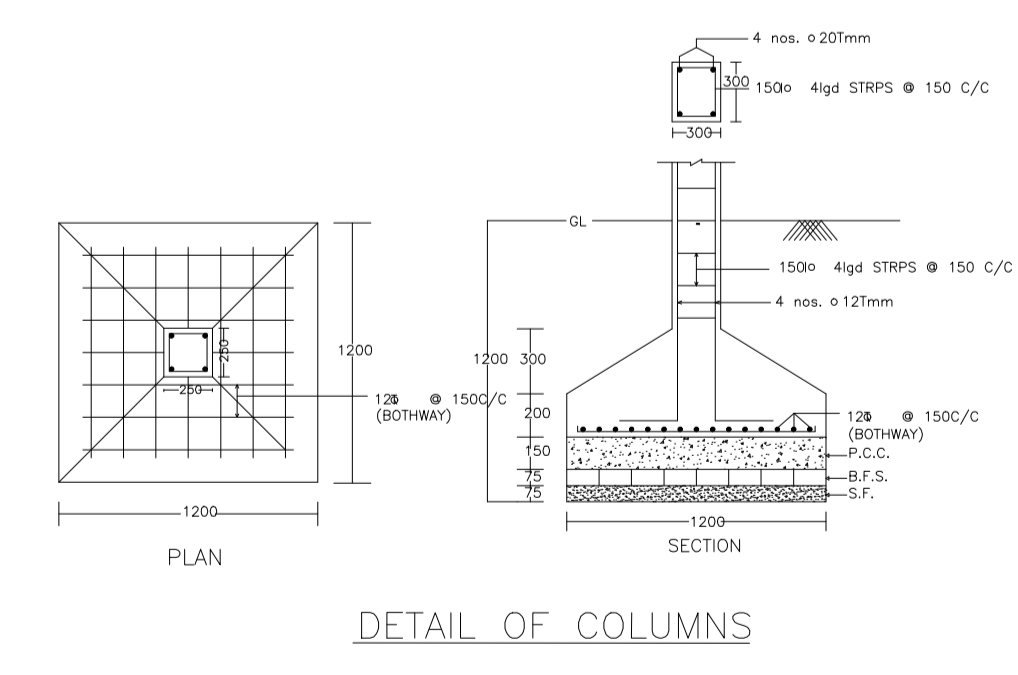
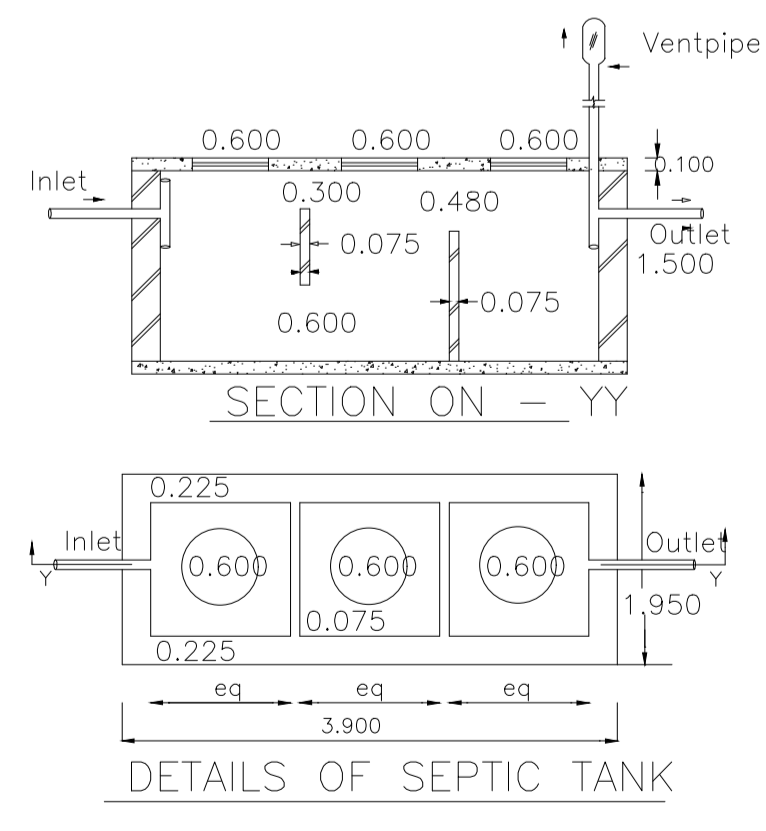
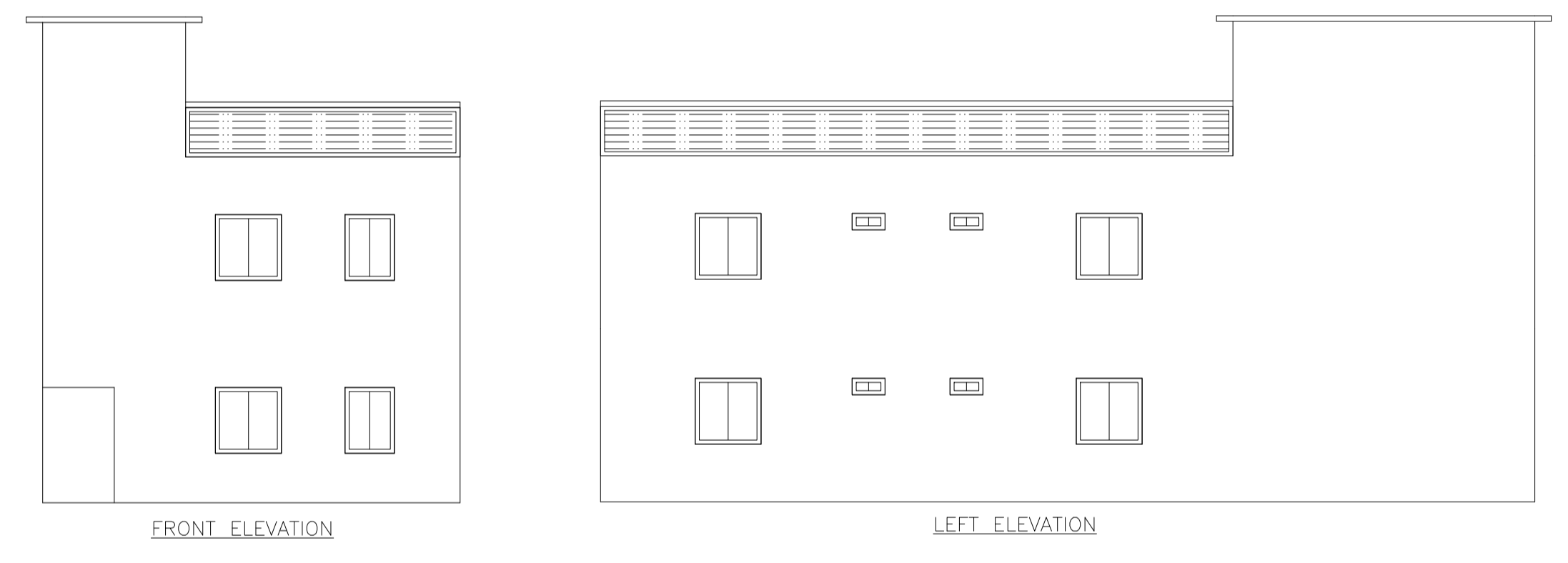
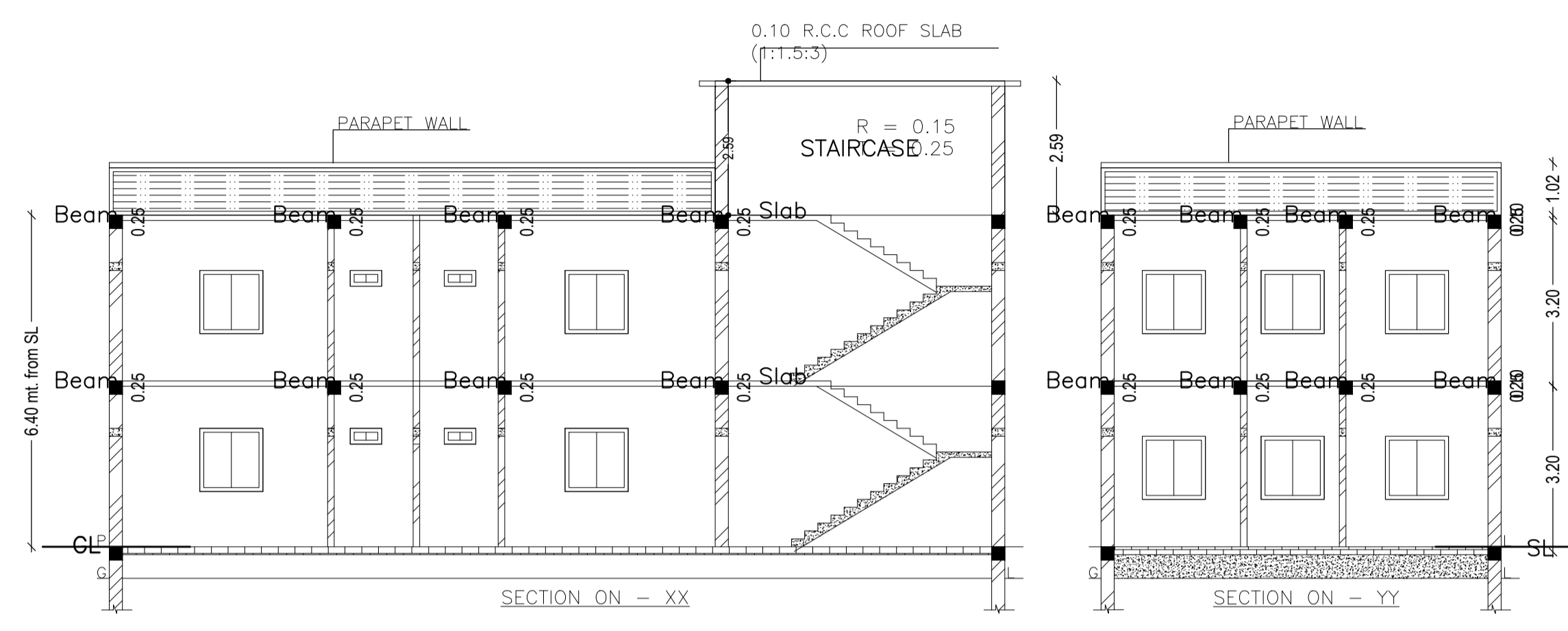
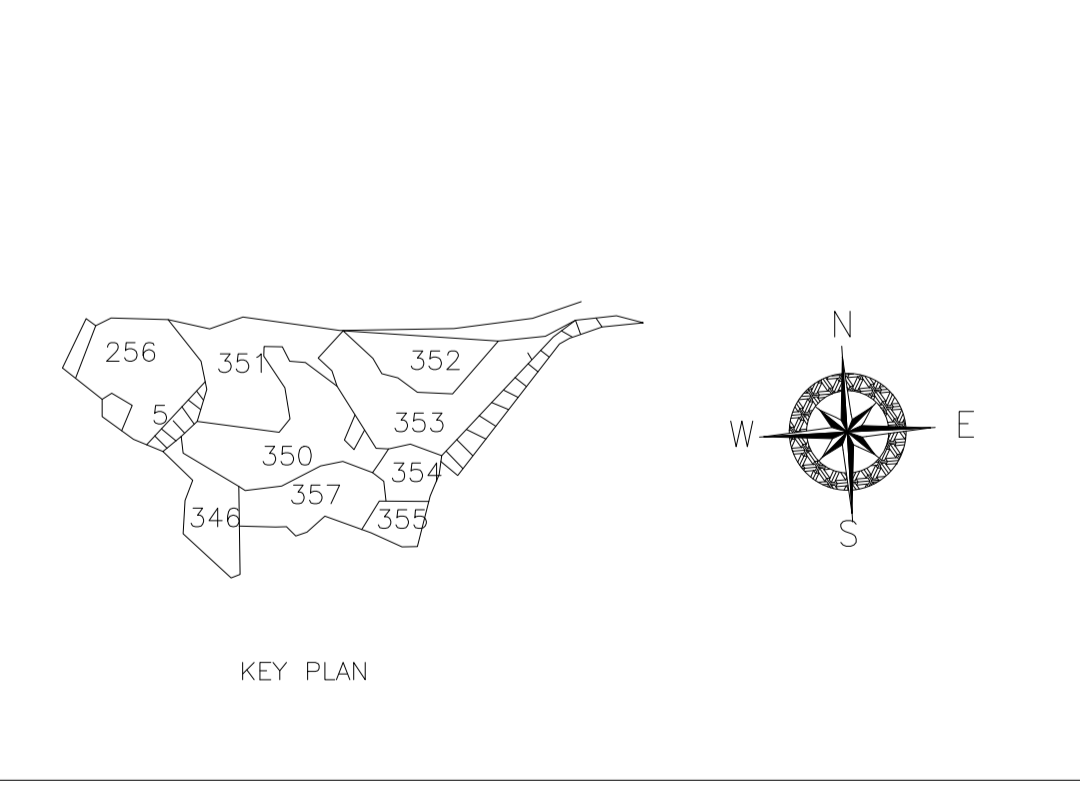
BUILDING NAME	NAME	LENGTH	HEIGHT	NOS
AA (BB)	D	0.76	2.10	04
AA (BB)	D	0.91	2.10	04
AA (BB)	D	1.07	2.10	10
AA (BB)	D	1.09	2.10	02
AA (BB)	D	1.17	2.10	02
AA (BB)	D	1.41	2.10	02

SCHEDULE OF WINDOW/VENTILATION:

BUILDING NAME	NAME	LENGTH	HEIGHT	NOS
AA (BB)	W	0.61	1.20	04
AA (BB)	W	0.91	1.20	06
AA (BB)	W	1.22	1.20	18

Building :AA (BB)

Floor Name	Total Built Up Area (Sq.mt.)	Proposed FAR Area (Sq.mt.) Resi.	Total FAR Area (Sq.mt.)	Total Consumed Additional FAR Area (Sq.mt.)	Tnmt (No.)
Ground Floor	133.65	133.65	133.65	133.65	01
First Floor	133.65	133.65	133.65	133.65	00
Terrace Floor	0.00	0.00	0.00	0.00	00
Total :	267.30	267.30	267.30	267.30	01
Total Number of Same Buildings :	1				
Total :	267.30	267.30	267.30	267.30	01



Proposal Basic Information

Proposal File No.	MADA/BP/0345/2021
Owner Name	SRI RAJU KUMHAR
Khata No	NEW - 8 , OLD - 12
Plot No	NEW - 150 , OLD - 350
Village Name	Dumra
Use	Residential
SubUse	Bungalow/ Dwelling / Non Apartment

AREA STATEMENT MINERAL AREA DEVELOPMENT AUTHORITY

AREA OF PLOT (Minimum)	(A)	SQ.MT.
NET AREA OF PLOT(Gross Plot Area - Deduction from Gross Plot area)	(A-Deductions)	244.02
Deduction for Balance Plot Area(from Gross Plot Area)		
Common Plot		22.83
Total		22.83
BALANCE AREA OF PLOT(Net Plot Area - Recreational/Amenity space)	(A-Deductions)	221.18
PLOT AREA FOR COVERAGE(Net Plot Area)	(A-Deductions)	244.02
Plot Area for FAR (Net Plot Area + Road/Widening Area)	(A-Deductions)	244.02
COVERAGE CHECK		
Permissible Coverage area (60.00 %)		146.41
Proposed Coverage Area (54.77 %)		133.65
Total Prop. Coverage Area (54.77 %)		133.65
Balance coverage area (5.23 %)		12.76
FAR CHECK		
Perm. FAR Area (1.50)		366.03
Total Perm. FAR area		366.03
Residential FAR		267.31
Proposed FAR Area		267.31
Total Proposed FAR Area		267.31
Consumed FAR (Factor)		1.10
Balance FAR Area		98.72
BUILT UP AREA CHECK		
Total Proposed BuiltUp Area		267.30
ARCHITECT (Regd)	ABHISHEK KUMAR	
ENGINEER (Regd)		
SUPERVISOR (Regd)		
OWNER (Regd)	SRI RAJU KUMHAR	
DEVELOPMENT AUTHORITY	LOCAL BODY	

COLOR INDEX

PLOT BOUNDARY	Black
ABUTTING ROAD	Green
PROPOSED CONSTRUCTION	Red
COMMON PLOT	Yellow
ROAD WIDENING AREA	Orange
EXISTING (To be retained)	Blue
EXISTING (To be demolished)	Light Blue

Buildingwise Floor FAR Details

Floor Name	Building Name AA (BB)		Total	
	Proposed Built Up Area (Sq.mt.)	Proposed FAR Area (Sq.mt.)	Total Proposed Built Up Area (Sq.mt.)	Total FAR Area (Sq.mt.)
Ground Floor	133.65	133.65	133.65	133.65
First Floor	133.65	133.65	133.65	133.65
Terrace Floor	0.00	0.00	0.00	0.00
Total :	267.30	267.30	267.30	267.30

Building USE/SUBUSE Details

Building Name	Building Use	Building SubUse	Building Structure
AA (BB)	Residential	Bungalow/ Dwelling / Non Apartment	Non-Highrise

FAR & Tenement Details (Table 4c-1)

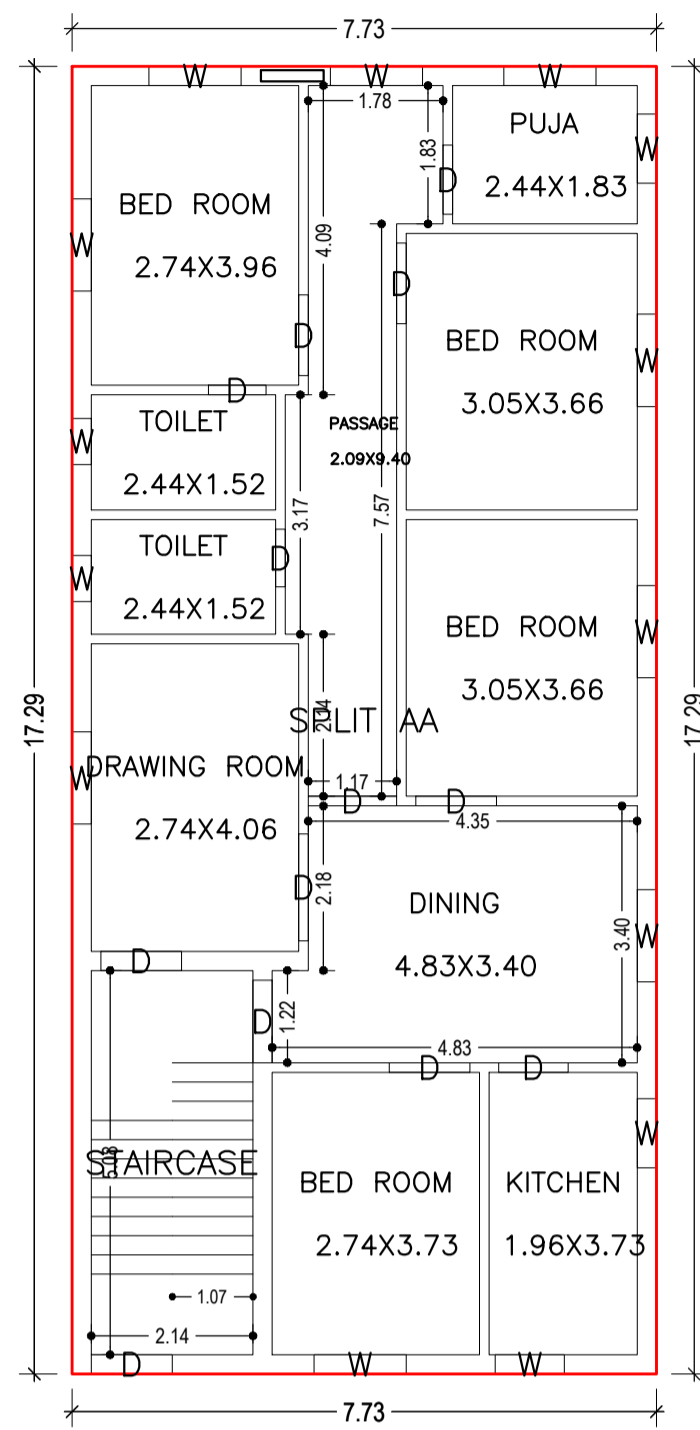
Building	No. of Same Bldg	Total Built Up Area (Sq.mt.)	Proposed FAR Area (Sq.mt.) Resi.	Total FAR Area (Sq.mt.)	Total Consumed Additional FAR Area (Sq.mt.)	Tnmt (No.)
AA (BB)	1	267.30	267.30	267.30	267.30	01
Grand Total :	1	267.30	267.30	267.30	267.30	01

UnitBUA Table for Building :AA (BB)

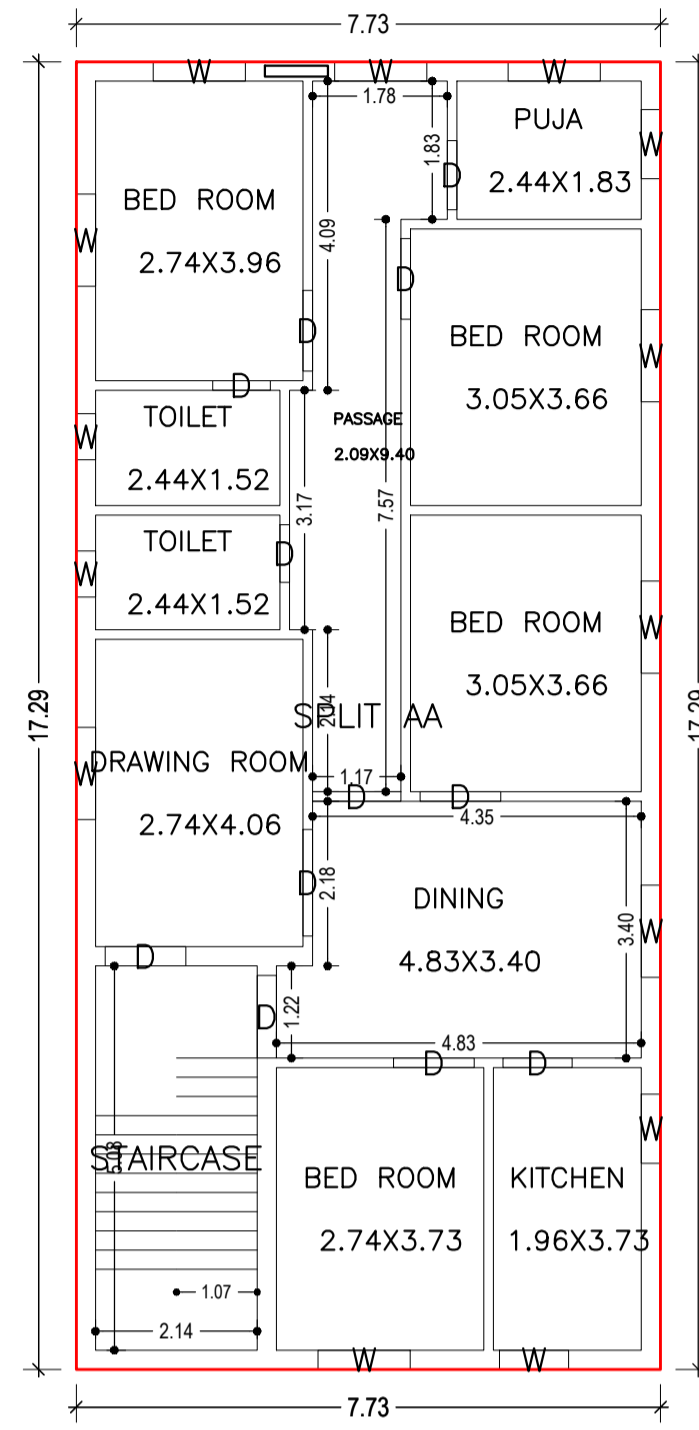
FLOOR	Name	UnitBUA Type	UnitBUA Area	Carpet Area	No. of Rooms	No. of Tenement
GROUND FLOOR PLAN	SPLIT AA	FLAT	267.31	267.07	11	1
FIRST FLOOR PLAN	SPLIT AA	FLAT	0.00	0.00	11	0
Total:	-	-	267.31	267.07	22	1

LTP NAME AND SIGNATURE	STRUCTURAL ENG'S NAME AND SIGNATURE	BUILDER NAME AND SIGNATURE	DIGITAL SIGNATURE
ABHISHEK KUMAR MADA/DFTMN0014/2020			

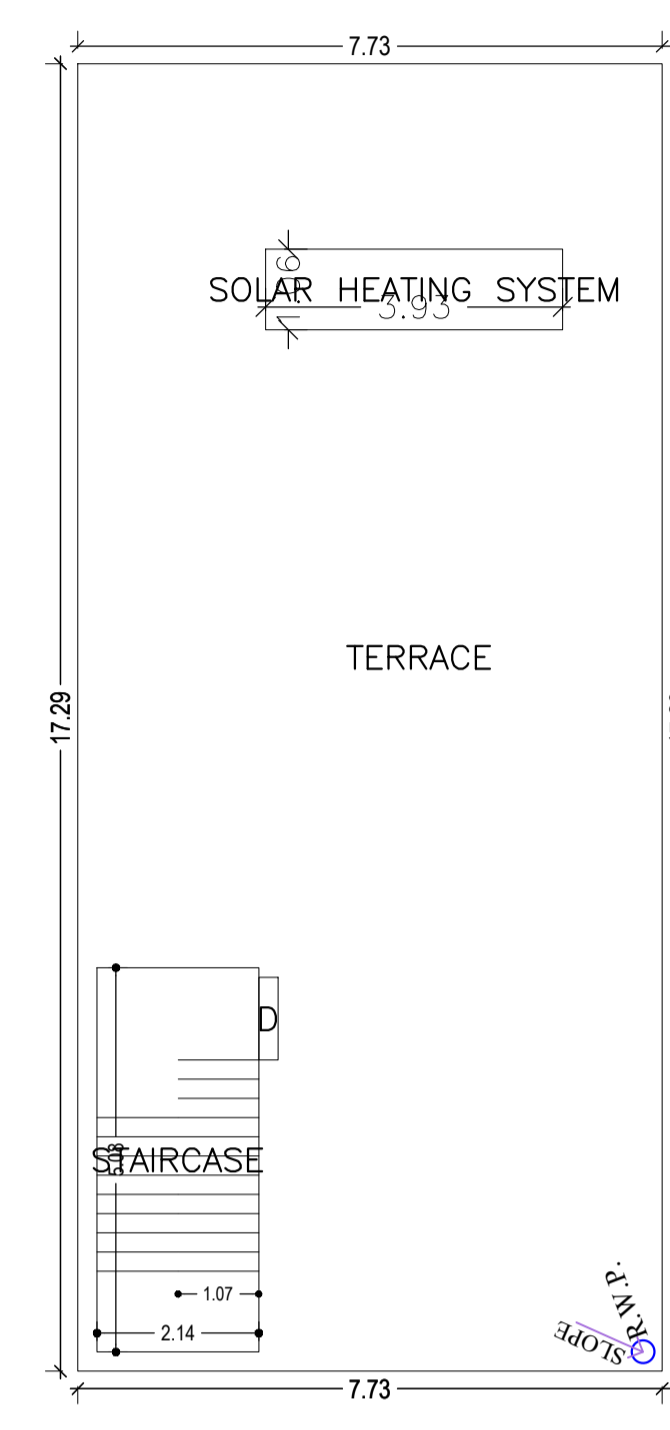
Proposal Basic Information	
Proposal File No.	MADA/BP/0345/2021
Owner Name	SRI RAJU KUMHAR
Khata No	NEW - 8 , OLD - 12
Plot No	NEW - 150 , OLD - 350
Village Name	Dumra
Use	Residential
SubUse	Bungalow/ Dwelling / Non Apartment



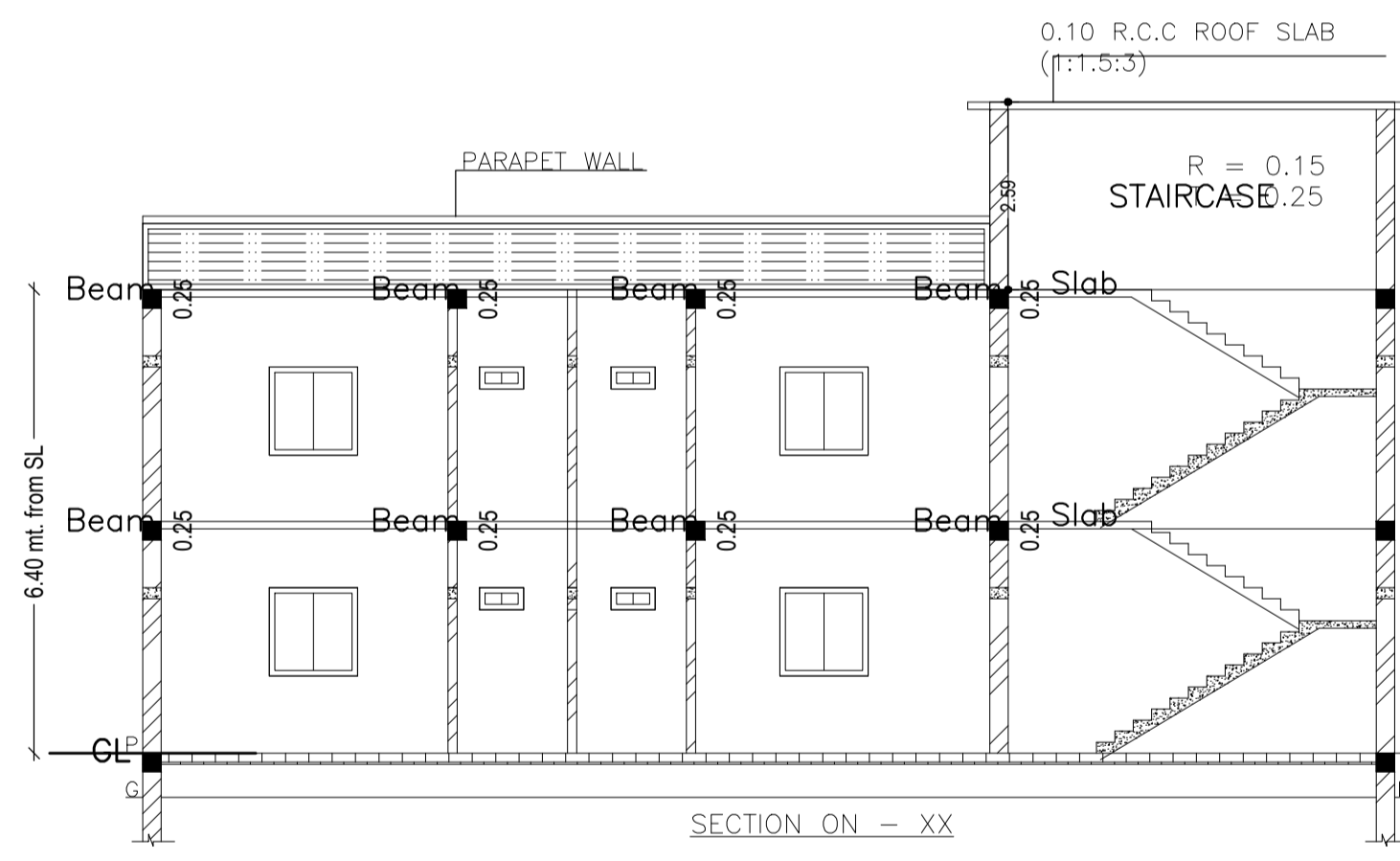
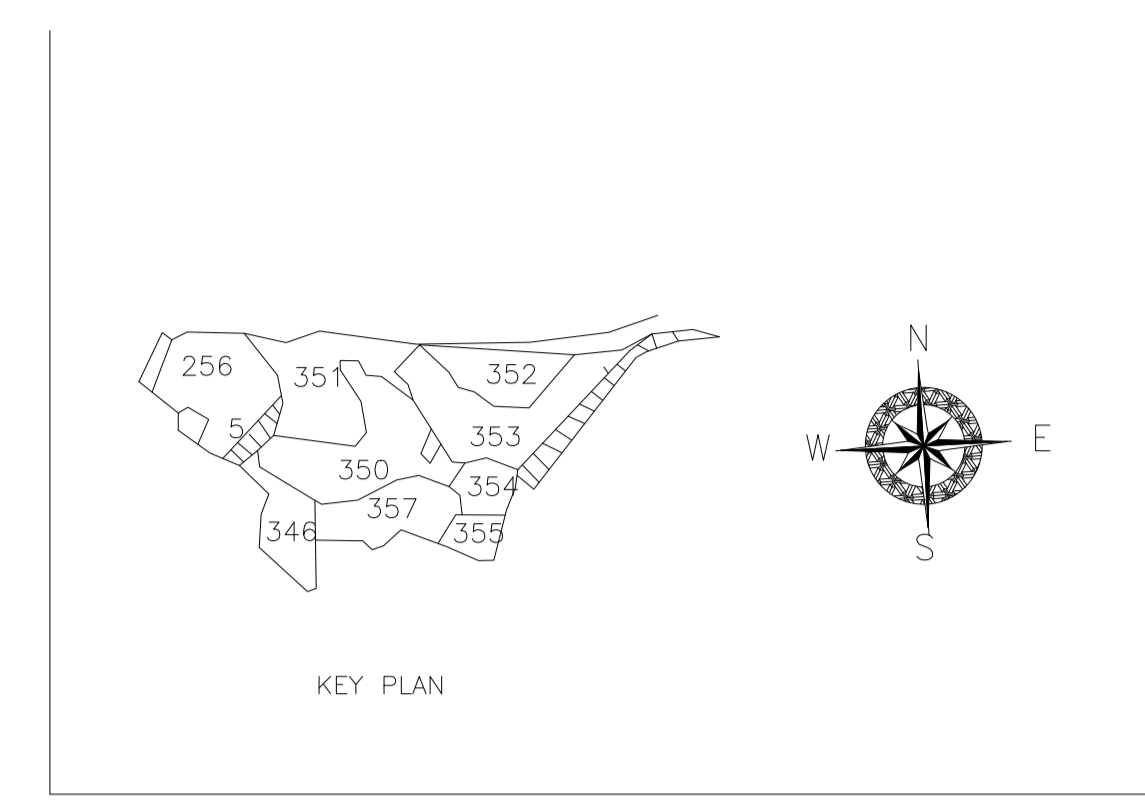
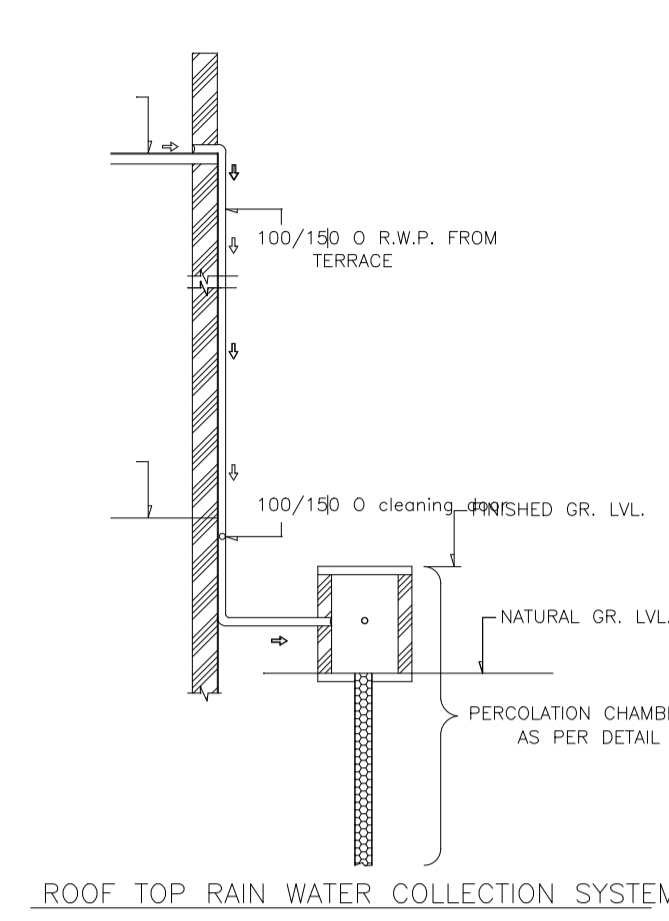
GROUND FLOOR PLAN
(Proposed)
(SCALE 1:100)



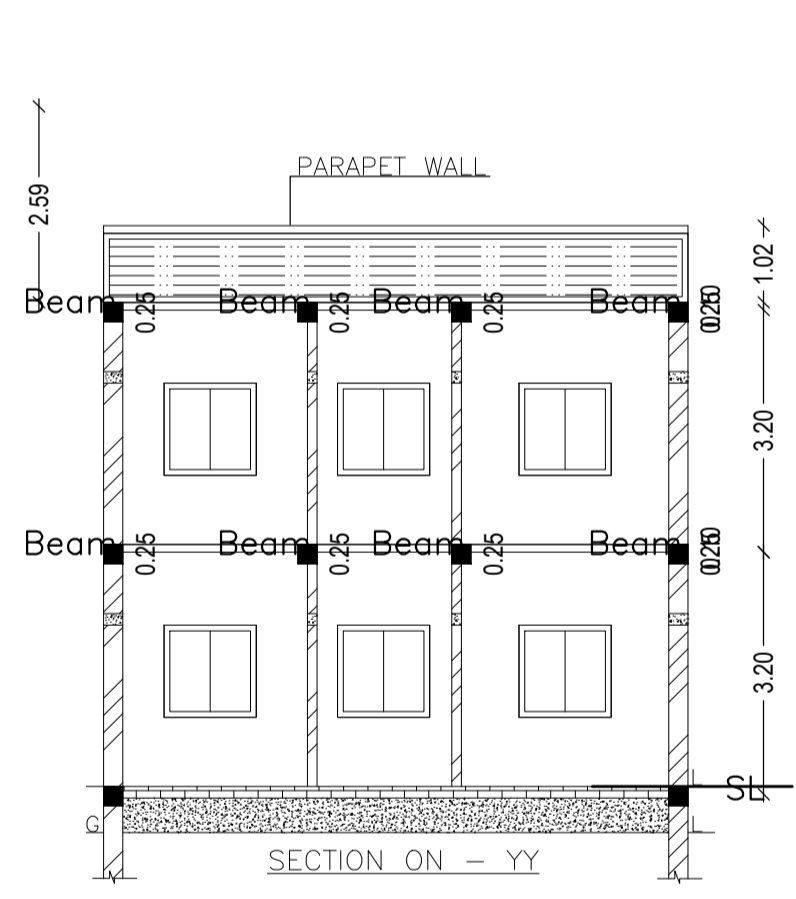
FIRST FLOOR PLAN
(Proposed)
(SCALE 1:100)



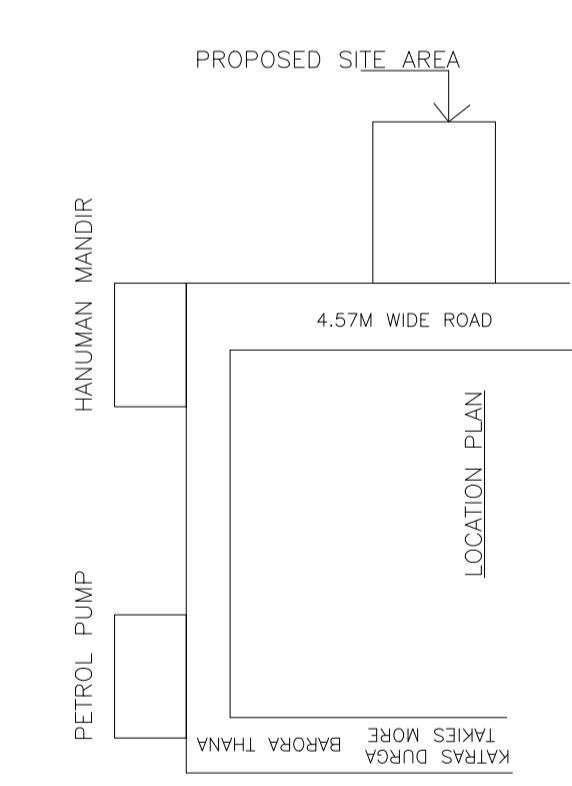
TERRACE FLOOR PLAN
(SCALE 1:100)



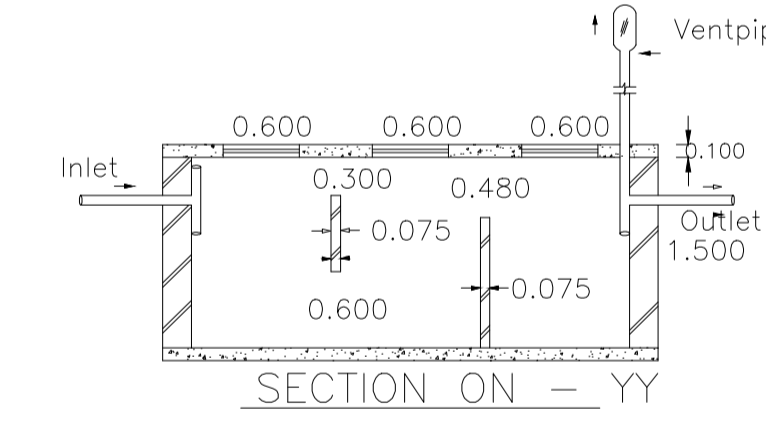
SECTION ON - XX



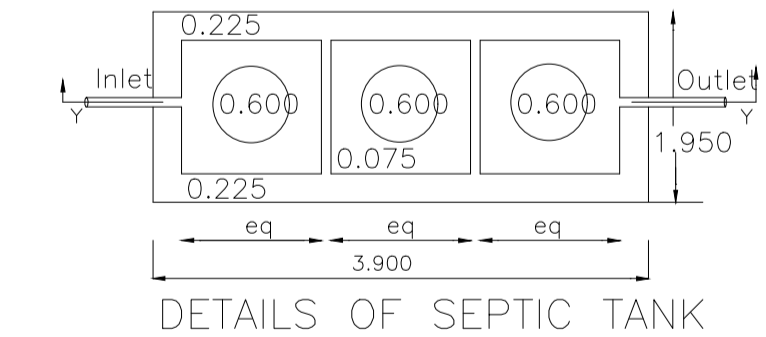
SECTION ON - YY



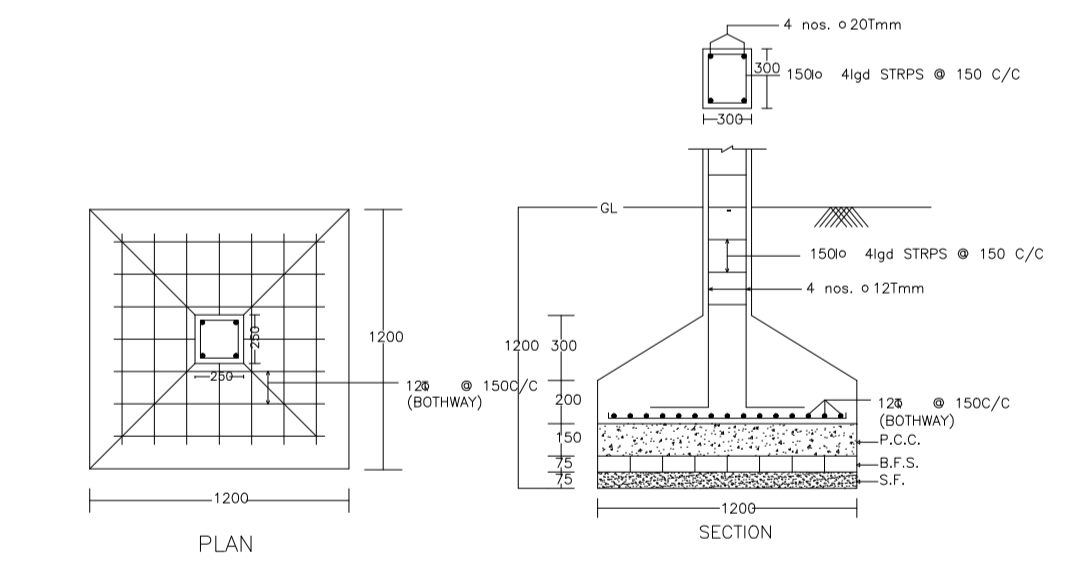
LOCATION PLAN



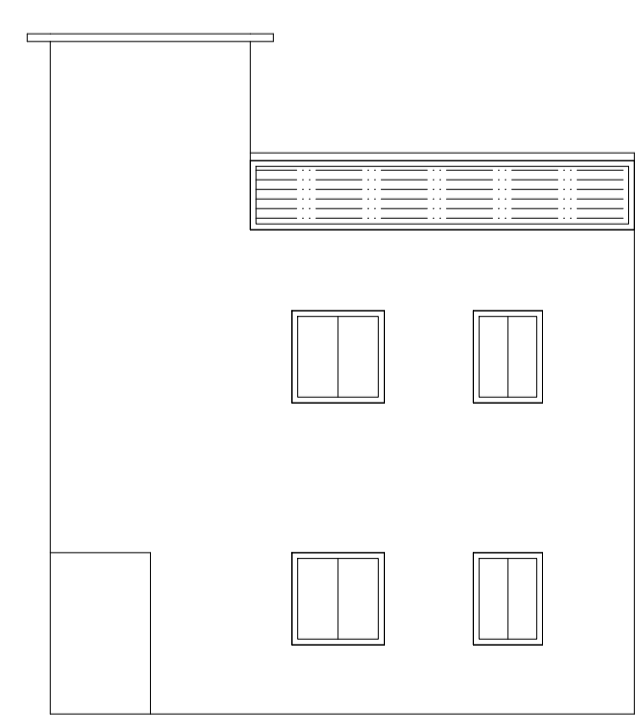
SECTION ON - YY



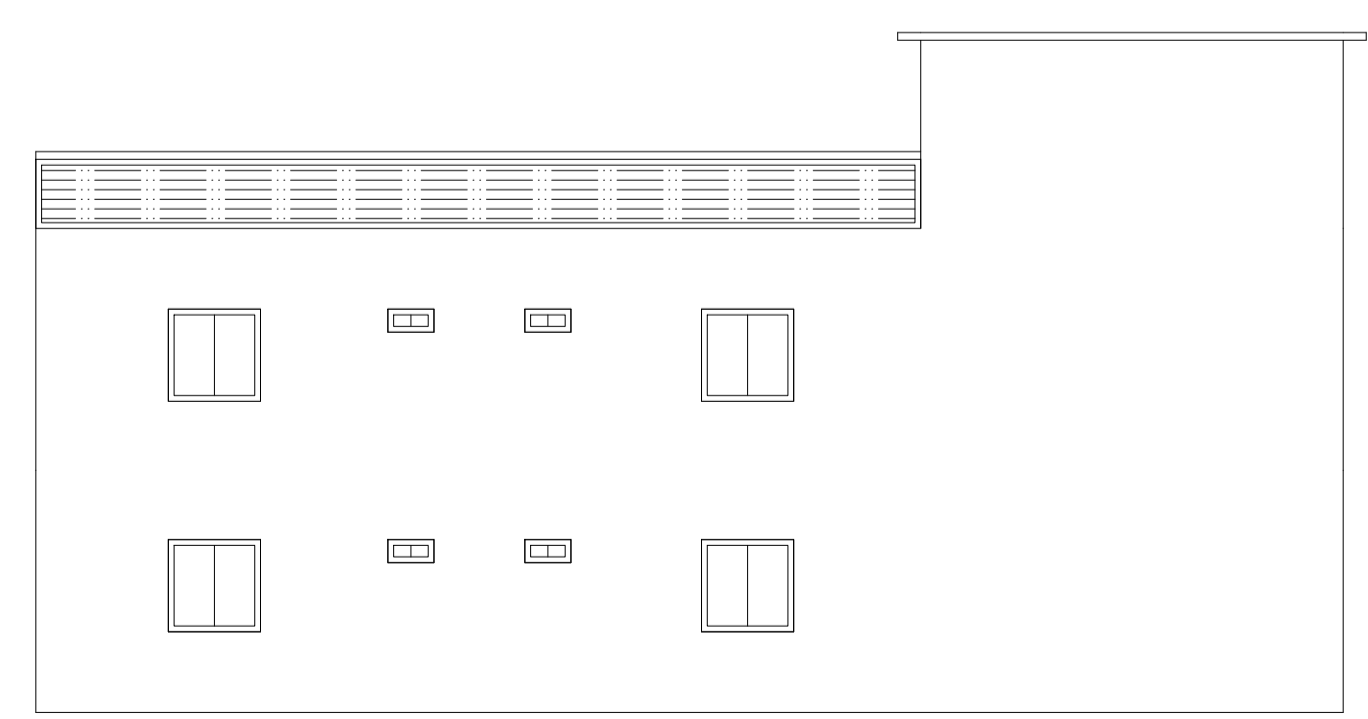
DETAILS OF SEPTIC TANK



DETAIL OF COLUMNS



FRONT ELEVATION



LEFT ELEVATION

LTP NAME AND SIGNATURE	STRUCTURAL ENG'S NAME AND SIGNATURE	BUILDER NAME AND SIGNATURE	DIGITAL SIGNATURE
ABHISHEK KUMAR MADA/DFTMN0014/2020			