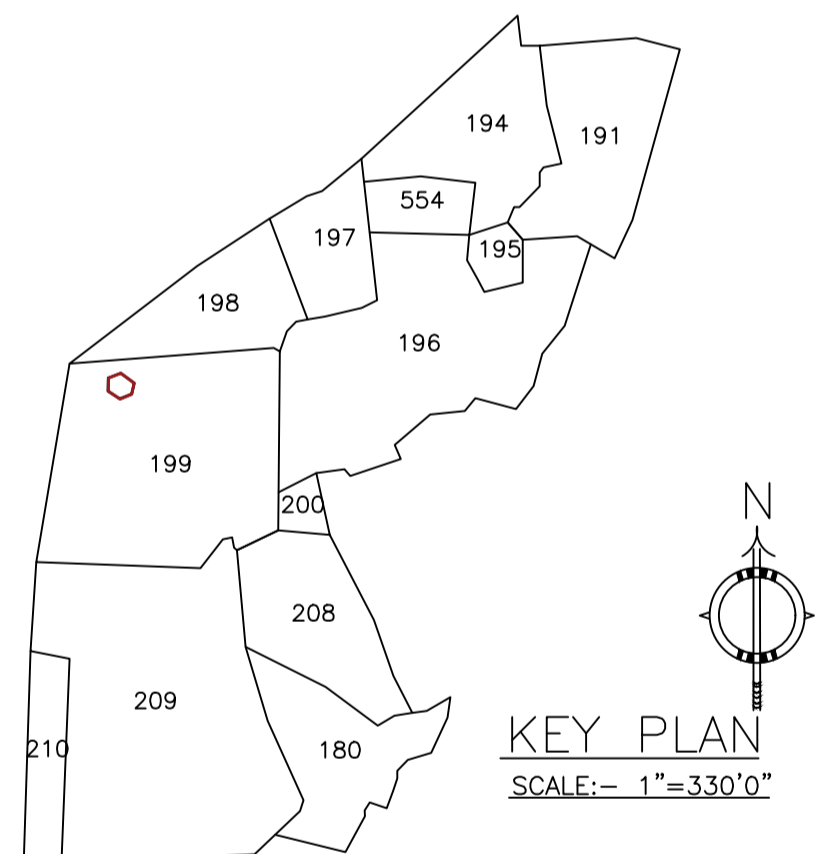


Proposal Basic Information

Proposal File No.	MADA/BP/0372/2021
Owner Name	SRI. SHASHI BHUSHAN KUMAR DUBEY
Khata No	OLD KHATA NO-16, NEW KHATA NO-14
Plot No	OLD PLOT NO. 72, NEW PLOT NO. 199
Village Name	Tiakraydih
Use	Residential
SubUse	Bungalow/ Dwelling / Non Apartment

AREA STATEMENT MINERAL AREA DEVELOPMENT AUTHORITY

Version No.	1.0.62	
Version Date	16/10/2020	
PROJECT DETAIL:		
Region: JHARKHAND URBAN LOCAL BODIES	Plot Use: Residential	
District: DHANBAD	Plot SubUse: Bungalow/ Dwelling / Non Apartment	
Authority: MINERAL AREA DEVELOPMENT AUTHORITY	Plot Nearby/Religious/Structure: NA	
Inward No: MADA/BP/0372/2021	Plot/SubPlot No: OLD PLOT NO. 72, NEW PLOT NO. 199	
Application Type: General Proposal	North: Plot No. - SAME PLOT	
Project Type: Building Permission	South: Plot No. - SAME PLOT	
Nature of Development: New	East: Plot No. - SAME PLOT	
Location of Development Area: Old Area	West: Road Width - 6.10	
AREA DETAILS:		
AREA OF PLOT (Minimum)	(A)	SQ. MT.
NET AREA OF PLOT (Gross Plot Area - Deduction from Gross Plot area)	(A-Deductions)	139.23
Deduction for Balance Plot Area (from Gross Plot Area)		
Common Plot		10.38
Total		10.38
BALANCE AREA OF PLOT (Net Plot Area - Recreational/Amenity space)	(A-Deductions)	128.85
PLOT AREA FOR COVERAGE (Net Plot Area)	(A-Deductions)	139.23
Plot Area for FAR (Net Plot Area + Road Widening Area)	(A-Deductions)	139.23
COVERAGE CHECK		
Permissible Coverage area (70.00 %)		97.46
Proposed Coverage Area (57.98 %)		80.72
Total Prop. Coverage Area (57.98 %)		80.72
Balance coverage area (12.02 %)		16.74
FAR CHECK		
Perm. FAR Area (2.50)		348.07
Total Perm. FAR area		348.07
Residential FAR		161.44
Proposed FAR Area		161.44
Total Proposed FAR Area		161.44
Consumed FAR (Factor)		1.16
Balance FAR Area		186.63
BUILT UP AREA CHECK		
Total Proposed BuiltUp Area		161.44
ARCHITECT (Regd)		
RAM PRATAP SINGH		
ENGINEER (Regd)		
SUPERVISOR (Regd)		
OWNER (Regd)		
SRI. SHASHI BHUSHAN KUMAR DUBEY		
DEVELOPMENT AUTHORITY		LOCAL BODY



SCHEDULE OF DOOR:

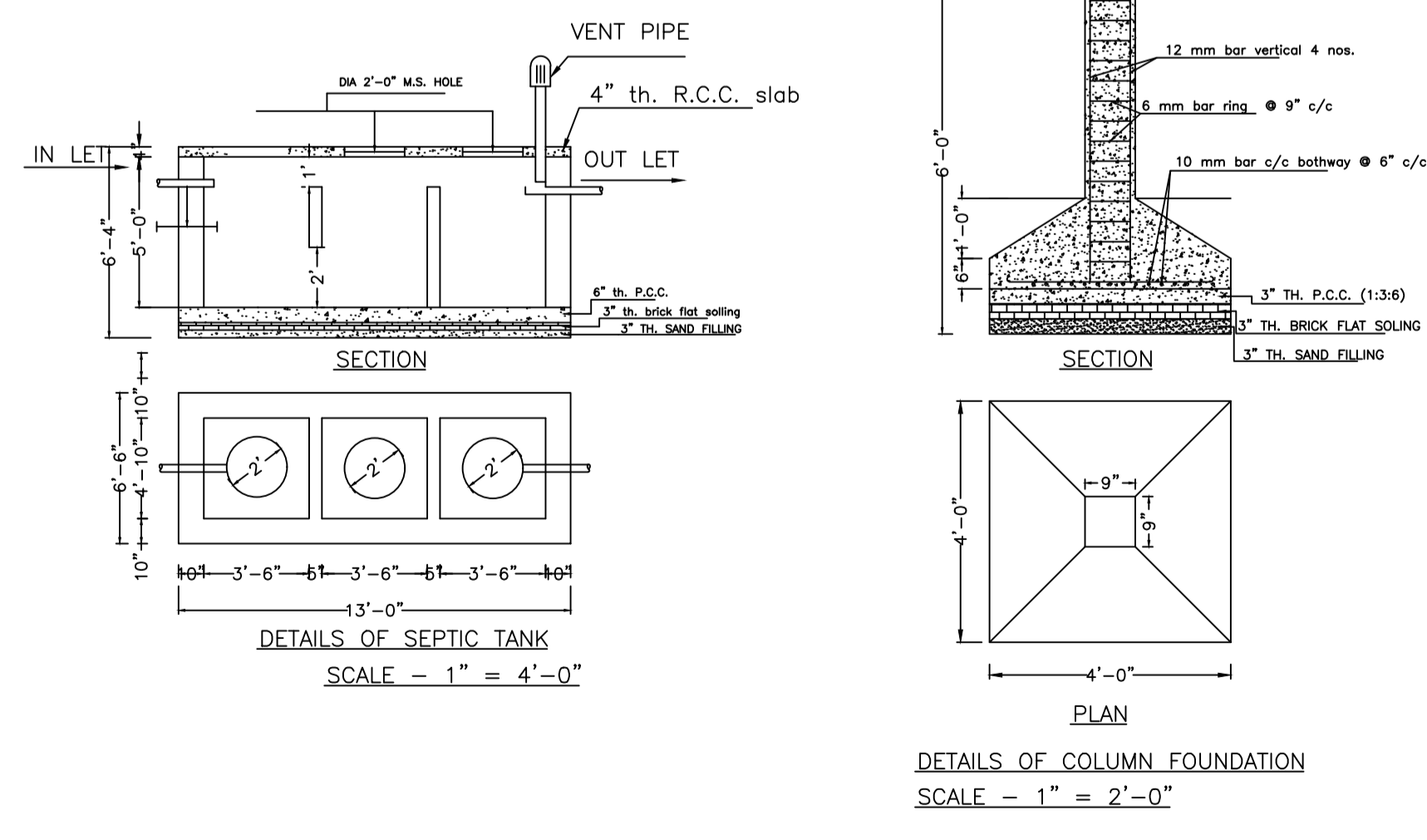
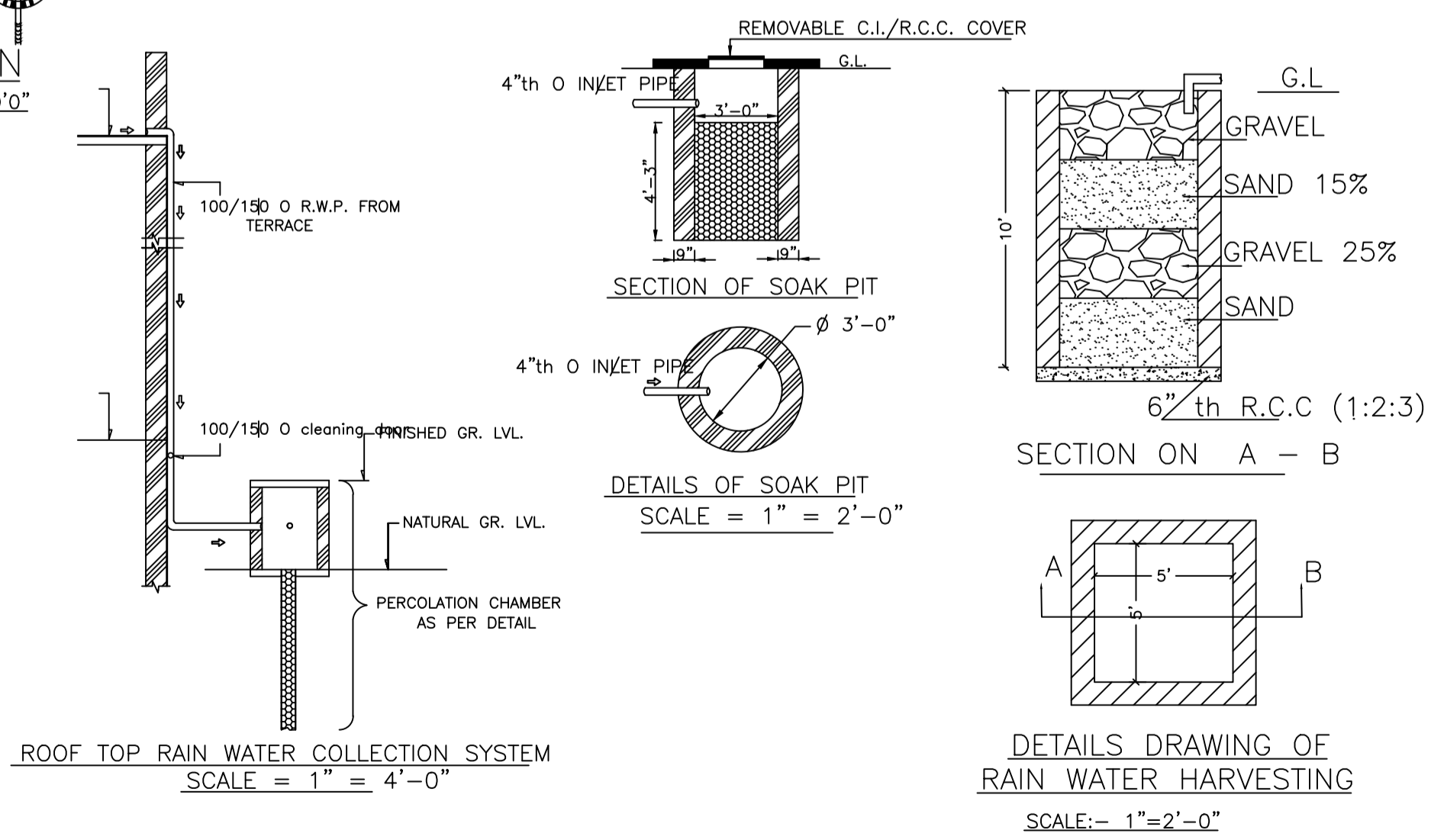
BUILDING NAME	NAME	LENGTH	HEIGHT	NOS
A (SHASHI BHUSHAN)	D	0.76	2.10	04
A (SHASHI BHUSHAN)	D	0.91	2.10	04
A (SHASHI BHUSHAN)	D	1.07	2.10	03
A (SHASHI BHUSHAN)	D	1.32	2.10	01

SCHEDULE OF WINDOW/VENTILATION:

BUILDING NAME	NAME	LENGTH	HEIGHT	NOS
A (SHASHI BHUSHAN)	W	0.61	1.20	03
A (SHASHI BHUSHAN)	W	0.91	1.20	04
A (SHASHI BHUSHAN)	W	1.22	1.20	03
A (SHASHI BHUSHAN)	W	1.37	1.20	01
A (SHASHI BHUSHAN)	W	1.52	1.20	07

Building :A (SHASHI BHUSHAN)

Floor Name	Total Built Up Area (Sq.mt.)	Proposed FAR Area (Sq.mt.)	Total FAR Area (Sq.mt.)	Total Consumed Additional FAR Area (Sq.mt.)	Tnmt (No.)
Ground Floor	80.72	80.72	80.72	80.72	01
First Floor	80.72	80.72	80.72	80.72	00
Terrace Floor	0.00	0.00	0.00	0.00	00
Total :	161.44	161.44	161.44	161.44	01
Total Number of Same Buildings	1				
Total :	161.44	161.44	161.44	161.44	01



COLOR INDEX

PLOT BOUNDARY	Black
ABUTTING ROAD	Red
PROPOSED CONSTRUCTION	Green
COMMON PLOT	Yellow
ROAD WIDENING AREA	Blue
EXISTING (To be retained)	Light Blue
EXISTING (To be demolished)	Dark Blue

Buildingwise Floor FAR Details

Floor Name	Building Name A (SHASHI BHUSHAN)		Total	
	Proposed Built Up Area (Sq.mt.)	Proposed FAR Area (Sq.mt.)	Total Proposed Built Up Area (Sq.mt.)	Total FAR Area (Sq.mt.)
Ground Floor	80.72	80.72	80.72	80.72
First Floor	80.72	80.72	80.72	80.72
Terrace Floor	0.00	0.00	0.00	0.00
Total :	161.44	161.44	161.44	161.44

Building USE/SUBUSE Details

Building Name	Building Use	Building SubUse	Building Structure
A (SHASHI BHUSHAN)	Residential	Bungalow/ Dwelling / Non Apartment	Non-Highrise

UnitBUA Table for Building :A (SHASHI BHUSHAN)

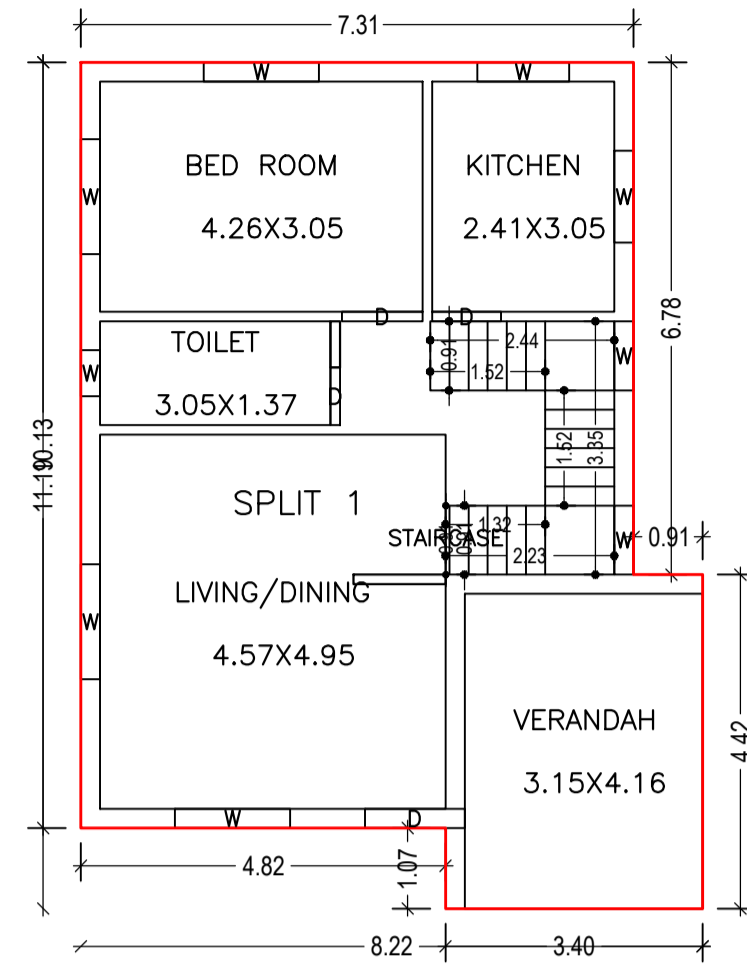
FLOOR	Name	UnitBUA Type	UnitBUA Area	Carpet Area	No. of Rooms	No. of Tenement
GROUND FLOOR PLAN	SPLIT 1	FLAT	161.44	160.49	5	1
FIRST FLOOR PLAN	SPLIT 1	FLAT	0.00	0.00	8	0
Total:	-	-	161.44	160.49	13	1

FAR & Tenement Details (Table 4c-1)

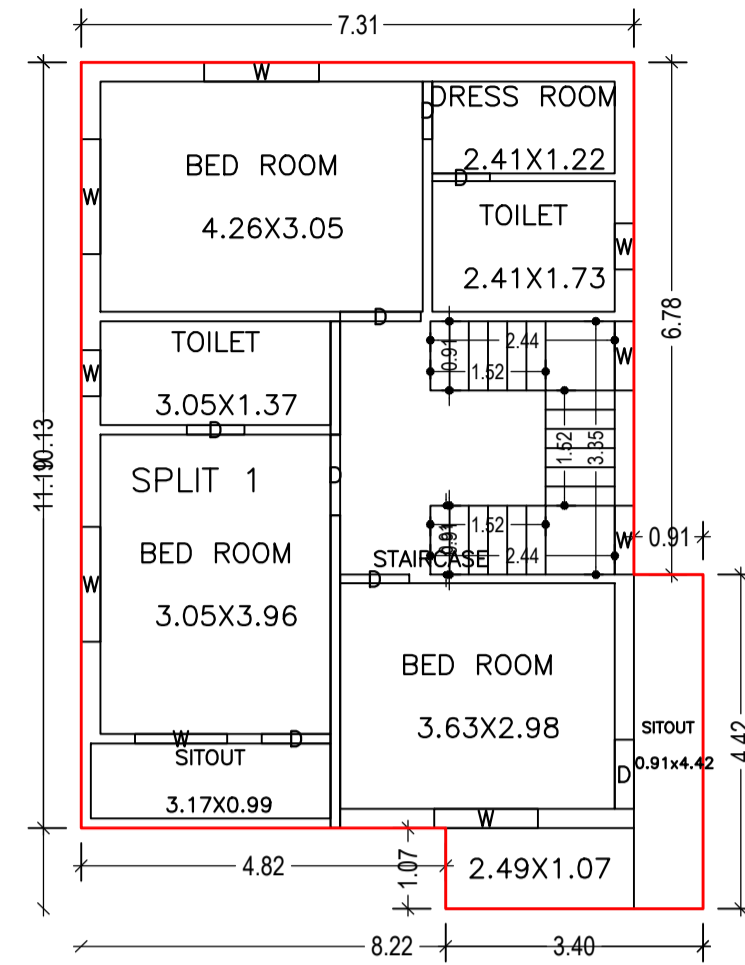
Building	No. of Same Bldg	Total Built Up Area (Sq.mt.)	Proposed FAR Area (Sq.mt.)	Total FAR Area (Sq.mt.)	Total Consumed Additional FAR Area (Sq.mt.)	Tnmt (No.)
A (SHASHI BHUSHAN)	1	161.44	161.44	161.44	161.44	01
Grand Total :	1	161.44	161.44	161.44	161.44	01

LTP NAME AND SIGNATURE	STRUCTURAL ENG'S NAME AND SIGNATURE	BUILDER NAME AND SIGNATURE	DIGITAL SIGNATURE
RAM PRATAP SINGH MADA/ARC/0024/2019			

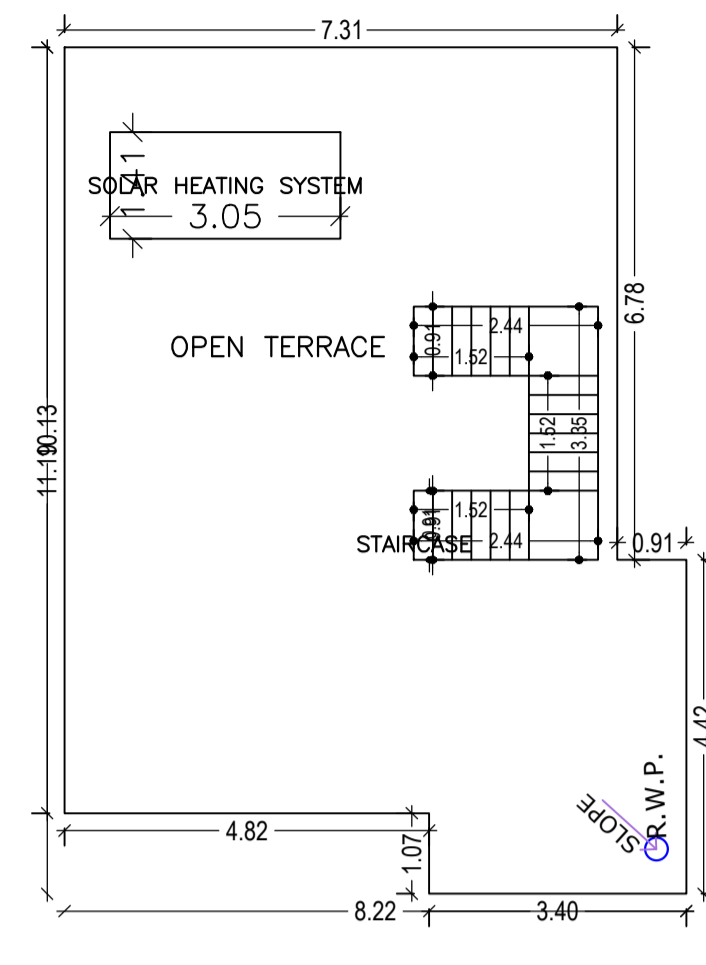
Proposal Basic Information	
Proposal File No.	MADA/BP/0372/2021
Owner Name	SRI. SHASHI BHUSHAN KUMAR DUBEY
Khata No	OLD KHATA NO-16, NEW KHATA NO-14
Plot No	OLD PLOT NO. 72, NEW PLOT NO. 199
Village Name	Tilakraydih
Use	Residential
SubUse	Bungalow/ Dwelling / Non Apartment



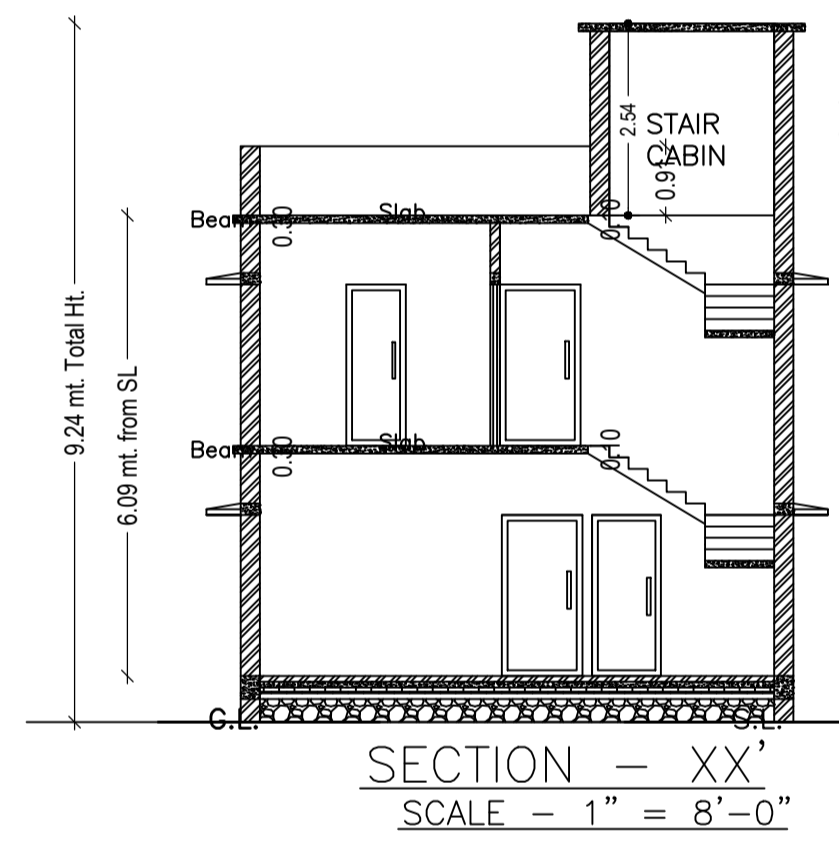
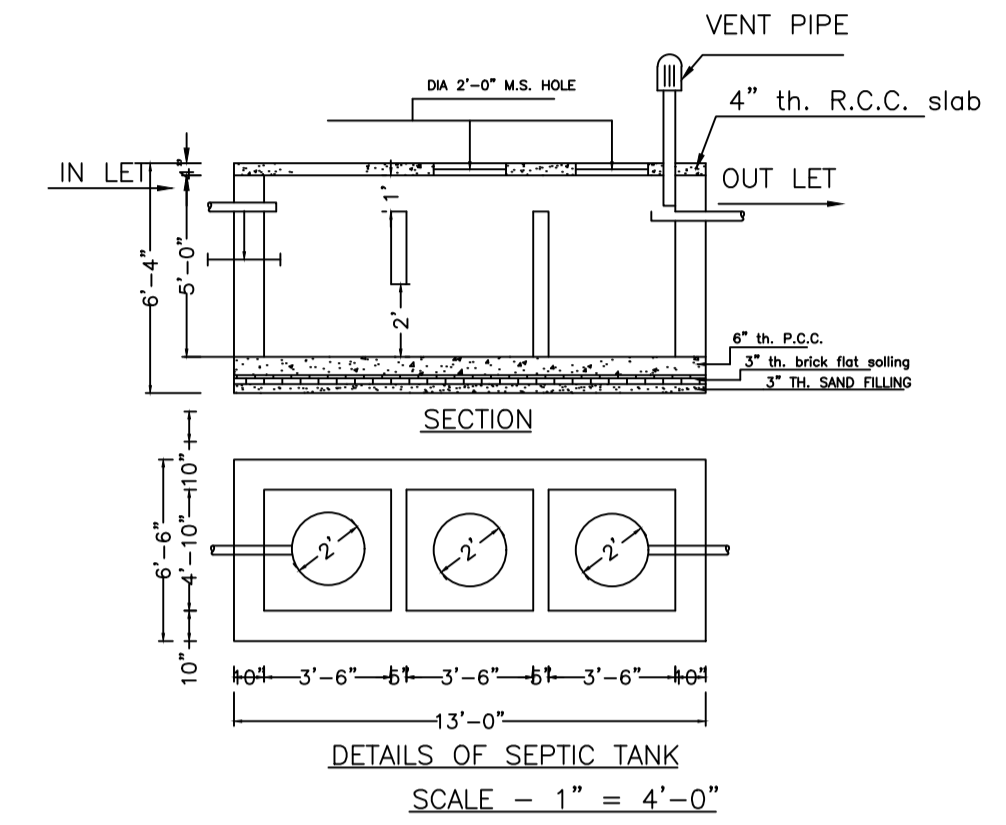
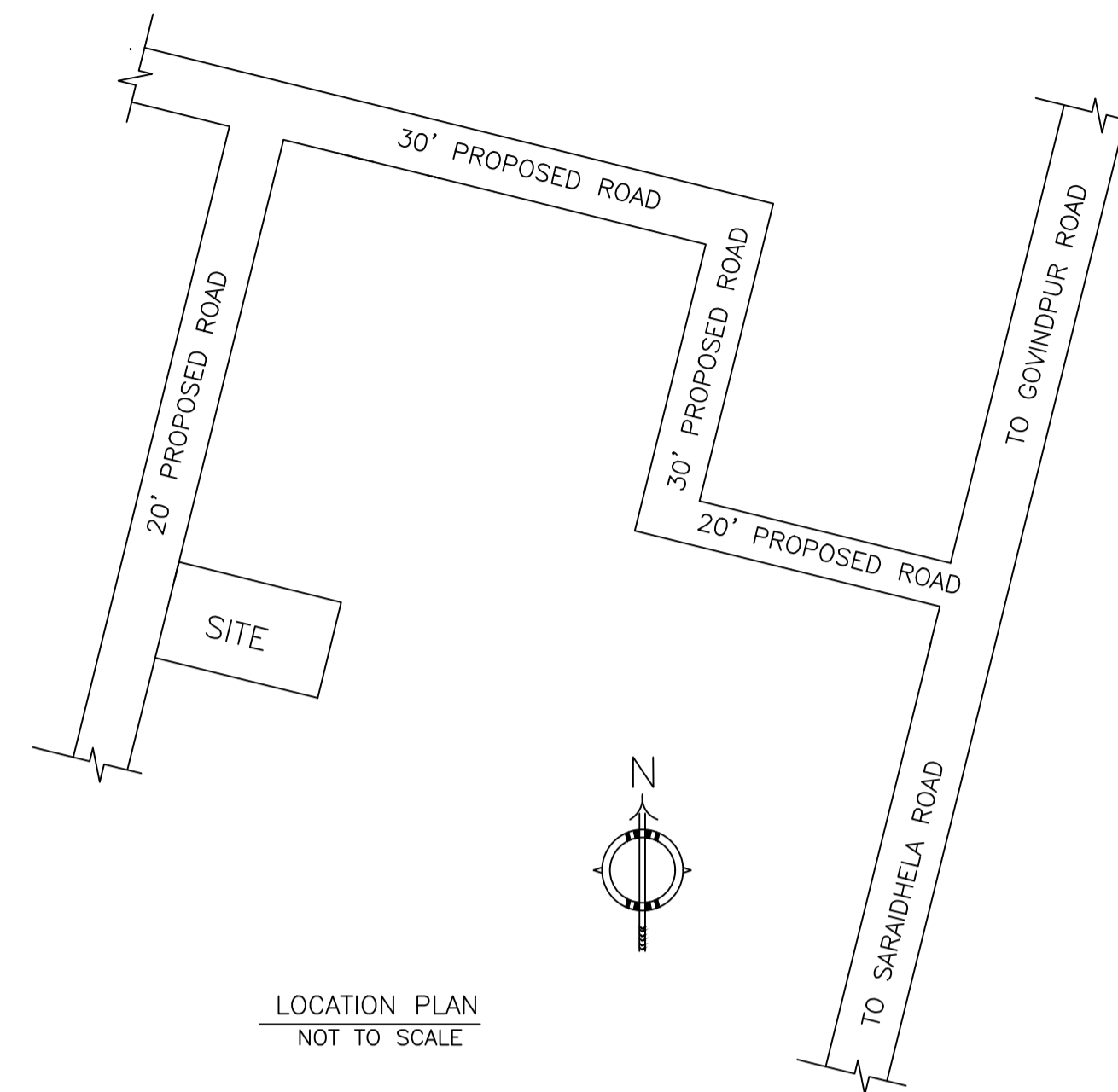
GROUND FLOOR PLAN
(Proposed)
(SCALE 1:100)



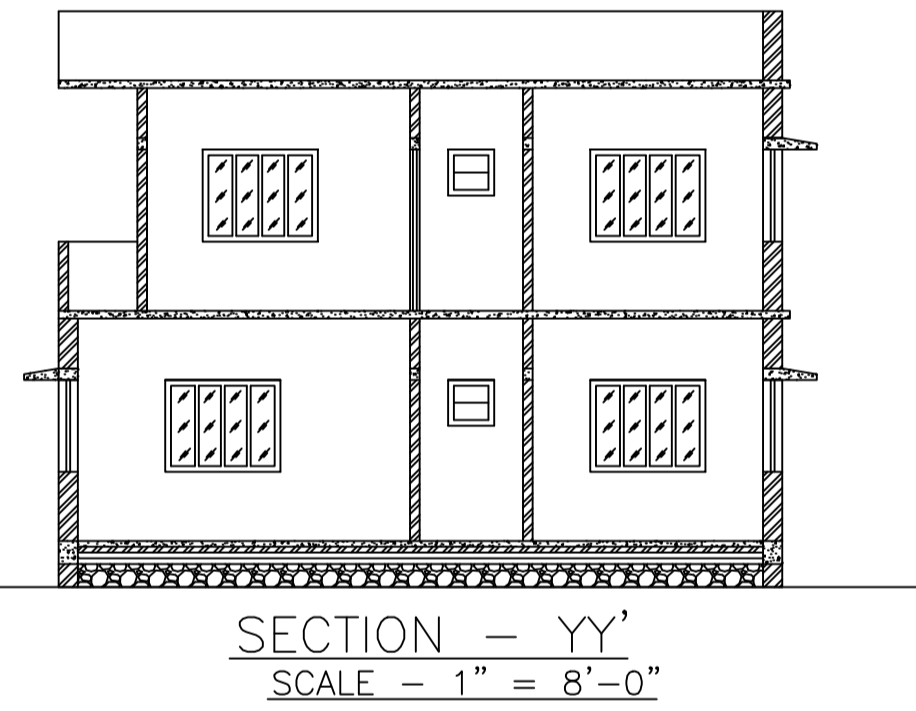
FIRST FLOOR PLAN
(Proposed)
(SCALE 1:100)



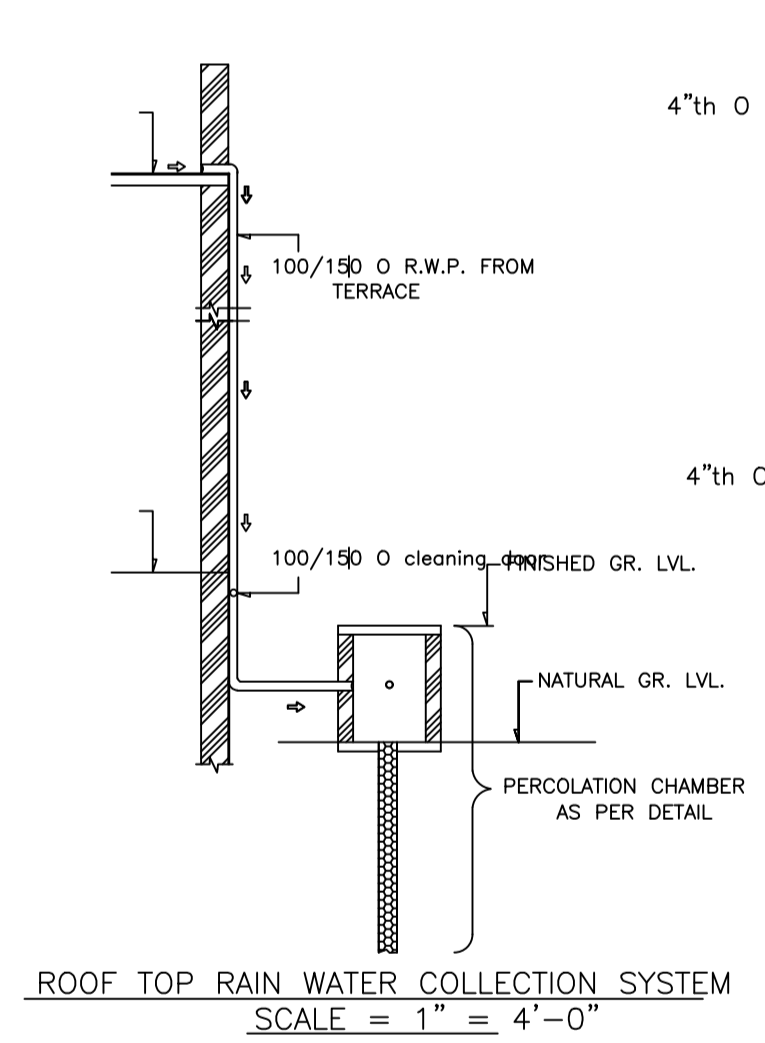
TERRACE FLOOR PLAN
(SCALE 1:100)



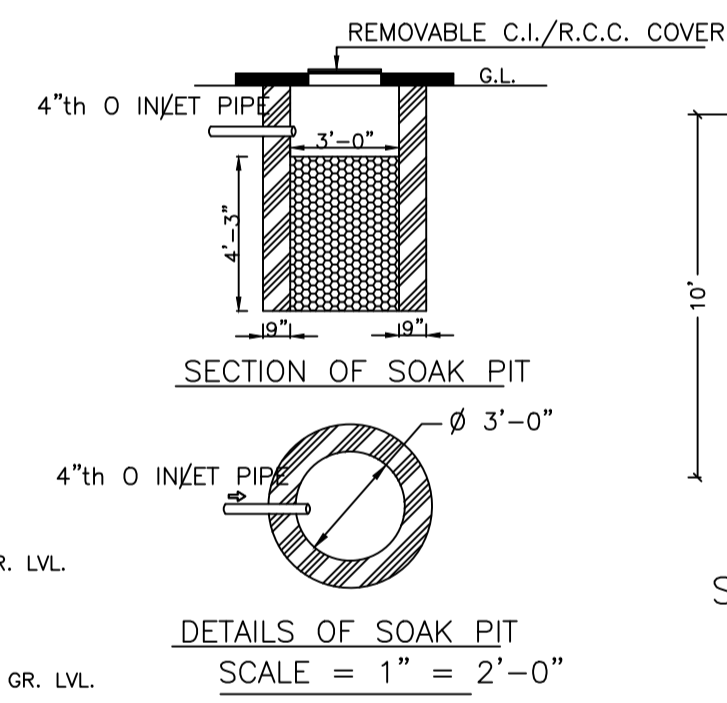
SECTION - XX'
SCALE - 1" = 8'-0"



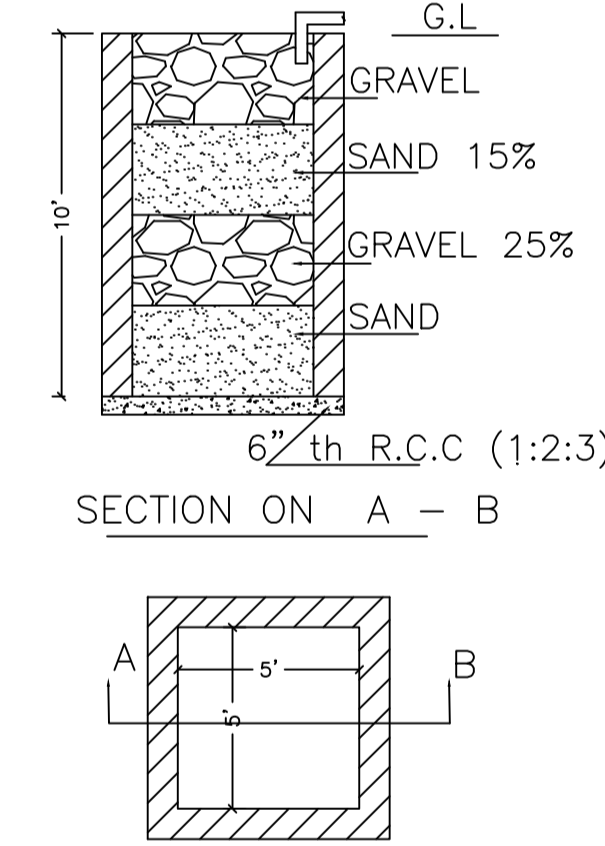
SECTION - YY'
SCALE - 1" = 8'-0"



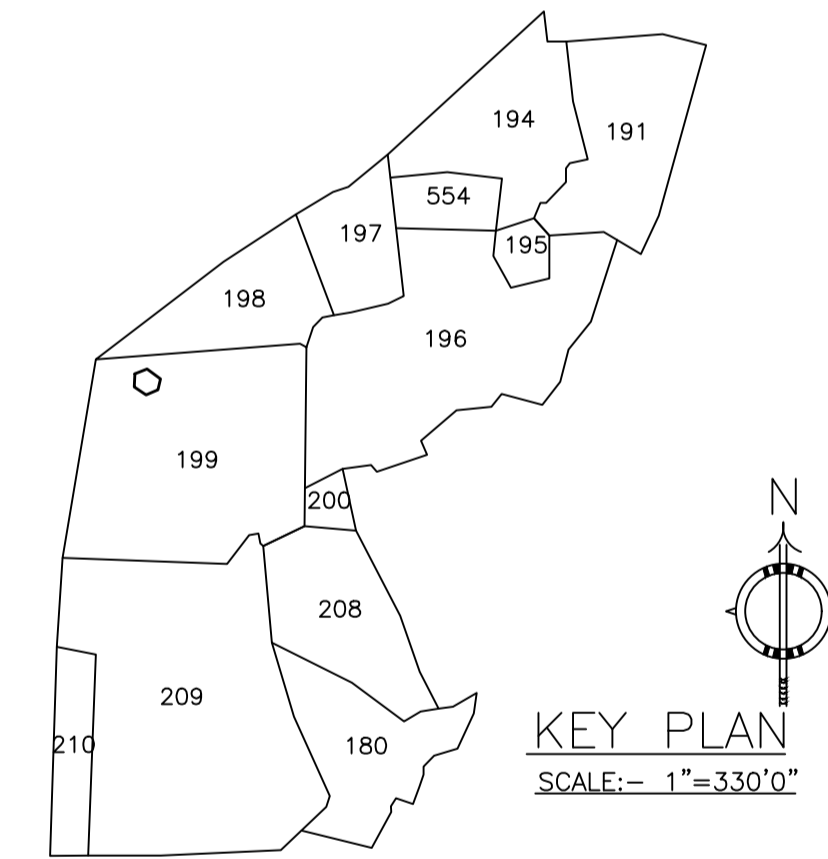
ROOF TOP RAIN WATER COLLECTION SYSTEM
SCALE = 1" = 4'-0"



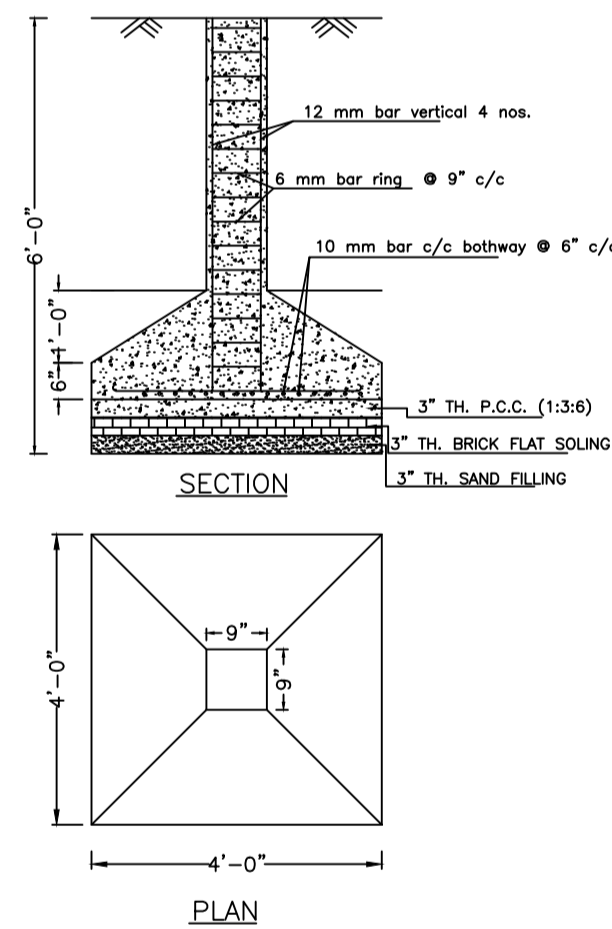
DETAILS OF SOAK PIT
SCALE = 1" = 2'-0"



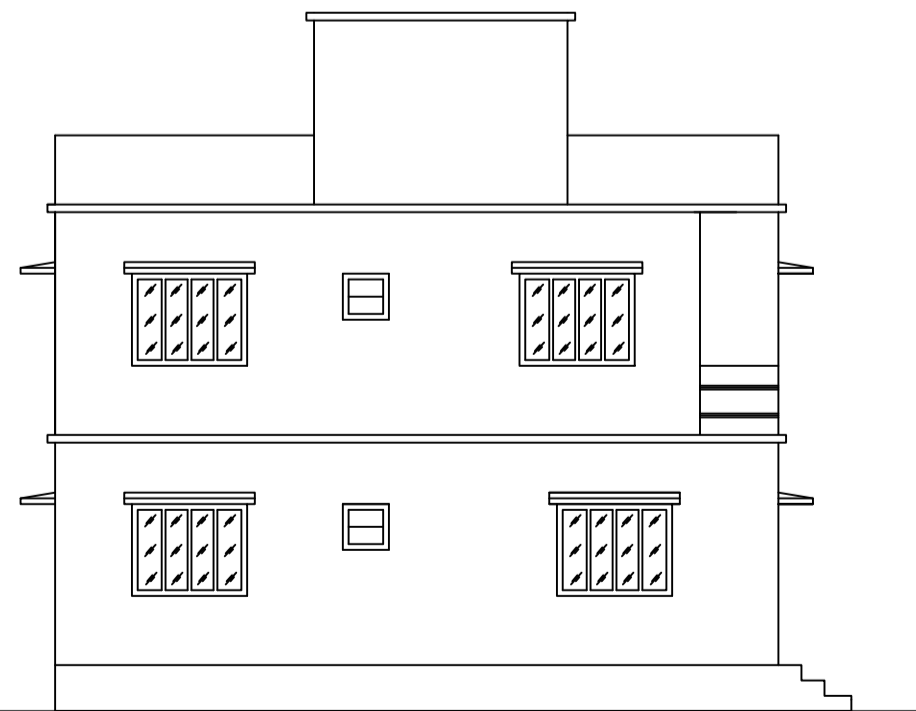
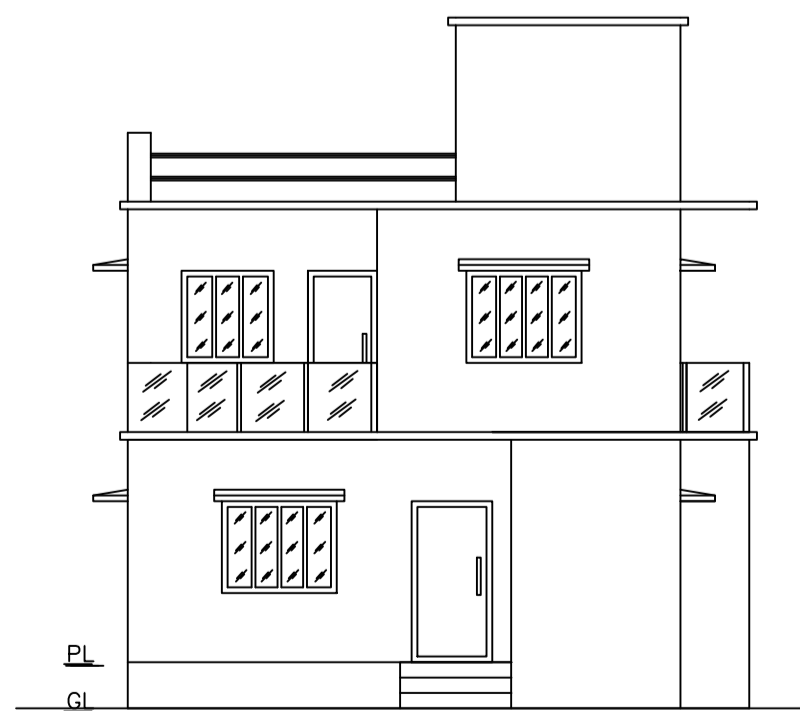
DETAILS DRAWING OF RAIN WATER HARVESTING
SCALE:- 1"=2'-0"



KEY PLAN
SCALE:- 1"=330'0"



DETAILS OF COLUMN FOUNDATION
SCALE - 1" = 2'-0"



LTP NAME AND SIGNATURE	STRUCTURAL ENG'S NAME AND SIGNATURE	BUILDER NAME AND SIGNATURE	DIGITAL SIGNATURE
RAM PRATAP SINGH MADA/ARC/0024/2019			